



ALLIED MACHINE & ENGINEERING

Holemaking Solutions for Today's Manufacturing



Drilling



Reaming



Burnishing



Threading



Specials



Wohlhaupter®

► *BORING*

MultiBore® System Tools

WOHLHAUPTER®

It's so much easier when you make
BETTER CHIPS

Allied Machine specializes in developing innovative solutions designed to *pulverize* material. Our tools achieve the chip formation and chip evacuation you need to increase your production.



Allied Machine & Engineering
Registered to ISO 9001
10001329



Our Commitment to **YOU**



Manufacturing is the DNA of success everywhere in the world. When you're manufacturing, you're building, creating, and developing something that physically didn't exist before.

At Allied Machine, our core purpose is to provide practical and dependable solutions to improve your manufacturing processes. We know you face challenges and difficulties every day, so we're here to simplify your holmaking processes and improve your production.

However, many factors must be incorporated to truly improve production.

Some of those factors include increasing penetration rates while also improving chip formation and evacuation, reducing scrap rates by producing better parts, reducing setup times, and increasing tool life to get the most from your investment.

Not only does our tooling achieve these results, but our customer service is also an extension of our tooling advantages. Our Application Engineers and Field Sales Engineers are available to assist with any problems you encounter. Don't hesitate to put their skills and knowledge to the test. They won't disappoint.

This is our commitment to manufacturing, and it's our promise to you.



North America

Allied Machine

120 Deeds Drive
Dover, OH 44622
United States

Allied Machine

485 West 3rd Street
Dover, OH 44622
United States

ThreadMills USA™

4185 Crosstowne Ct #B
Evans, GA 30809
United States

Superior®

1285 S Patton St.
Xenia, OH 45385
United States

Europe

Allied Machine Europe

93 Vantage Point
Pensnett Estate
Kingswinford
West Midlands
DY6 7FR, United Kingdom

Wohlhaupter™ GmbH

Maybachstrasse 4
Postfach 1264
72636 Frickenhausen
Germany

Asia

Wohlhaupter™ India

B-23, 3rd Floor
B Block Community Centre
Janakpuri, New Delhi - 110058
India



Allied Machine & Engineering is a worldwide leader in holemaking and finishing solutions. We are committed to providing practical and dependable solutions to our customers through innovative designs and superior customer and technical support.

We continue to expand our product offering in order to provide new and different solutions. With Field Sales Engineers located around the world, we position ourselves to provide technical support on site, right at your spindle.



www.alliedmachine.com

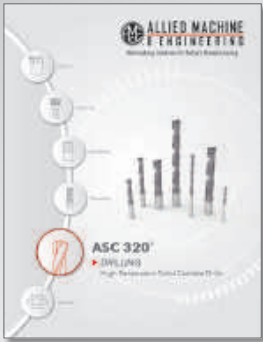
The background features a complex geometric pattern of thin, light gray lines forming various shapes and curves. Overlaid on this is a grid of small, light gray dots that form a larger, faint pattern. The overall aesthetic is clean and technical.

Wohlhaupter[®] Product

CATALOG

Flipbooks and Digital PDF Downloads

Every Section Available Online



Section A10
ASC 320®



A15-SUP
Superior® Solid Carbide Tools



T-A Pro® (A25-TAP*)
T-A Pro® Drills



Section A30
Original T-A® and GEN2 T-A®



Section A40 (AMPC-A4*)
High Performance / Universal



Section A50
APX™ Drill



Section A55 (A55-4TX*)
4TEX® Drill



Section A60
Revolution Drill®



Section A70
Opening Drill®



Section A91
Structural Steel Solutions



Section A92
AccuPort 432®



Section A93
BT-A Drill



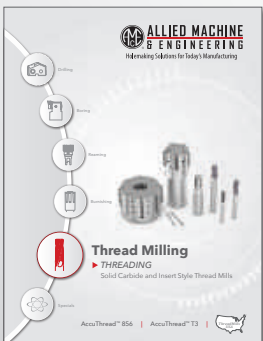
Section B20 (B20-CRT*)
Criterion® Modular Boring



Section C
Reaming



Section D (AMPC-D*)
Burnishing



Section E
Threading



Section X
Special Tooling Solutions



EcoCut (EC*)
Multifunction Tooling



Wohlhaupter® (B10-WHL*)
MultiBore® Systems Tools



AccuThread® T3 (E-AT3*)
3-Tooth Style Thread Mills

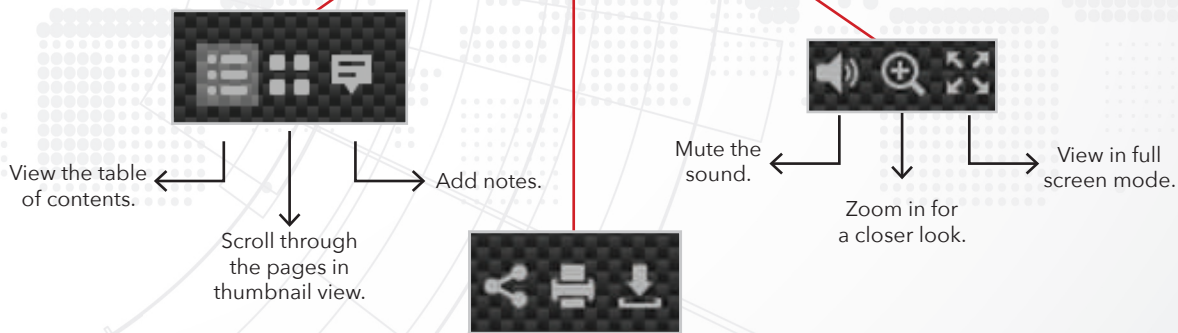
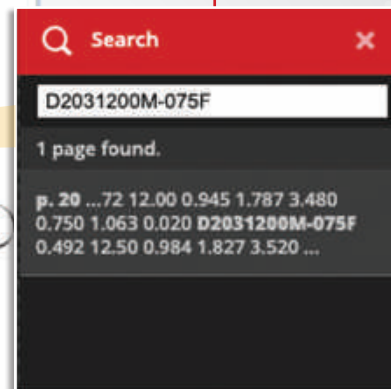
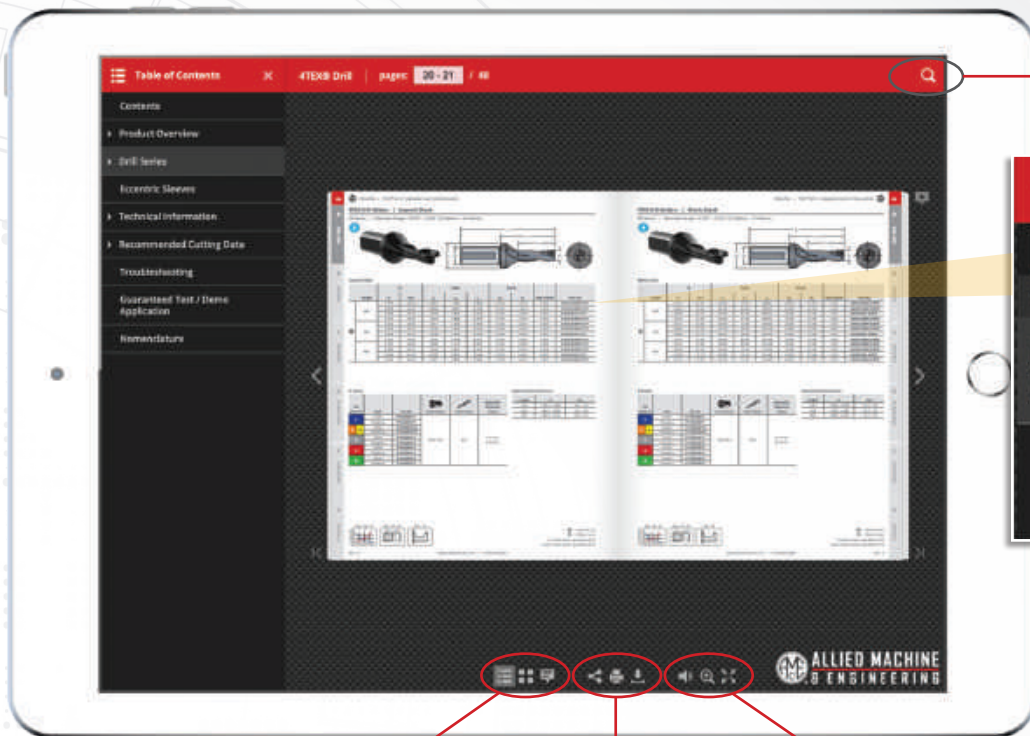
View, download, and share individual product line sections at
www.alliedmachine.com/Literature

*Also available in print



Find what you need. Now.

Flipbooks give you the ability to search for specific item numbers, download PDFs, print pages, and share with others. Save time searching the catalog by hand by using the easy search function. View our flipbooks now at alliedmachine.com/support/literature.



Share the link to each Flipbook via email and social media.



Allied Machine & Engineering

The Foundation

Since 1941, Allied Machine & Engineering has provided dependable and practical holmaking solutions to the world. What was once a small job shop in Ohio is now a worldwide leader in cutting tool technology. With three manufacturing facilities in Ohio, one in Georgia, another in Germany, and headquarters in both the United States and Europe, Allied Machine is positioned to bring innovative solutions and technical expertise directly to the customers' hands.



The Beginning

Harold E. Stokey founded Allied Machine & Engineering to aid the war effort, manufacturing taper bearing lock nuts for the production of M1 tanks. Years later, after a sales meeting gone wrong, Stokey possessed a warehouse stocked with spade drill inserts. He set forth into the industry that would become Allied Machine's thriving identity: holmaking.

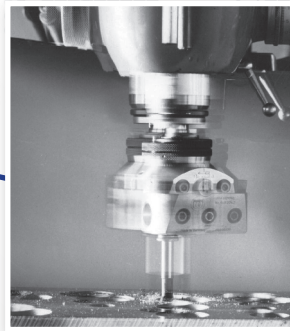


The T-A®

When Harold's son, William H. Stokey, became the president and CEO, he developed the Throw Away, or T-A®, spade drill insert system. The T-A revolutionized the holmaking industry, launching Allied Machine ahead of the competition. Since then, numerous innovations and advancements have been created from the T-A's inspiration.



Wohlhaupter™



The Foundation

On October 1, 1929, Emil Wohlhaupter founded a small mechanical workshop in Stuttgart-Feuerbach, Germany, reconditioning cutting and stamping tools by hand. A few years later, the company was subcontracted to carry out small-scale batch productions.

The UPA Beginning

In 1936, the first model of the Universal Facing and Boring head was developed. One year later, it was shown at the Leipzig Trade Fair. The UPA became known around the world along with Wohlhaupter's name. The Universal Facing and Boring head can be used on different machines for individual and batch productions. Since then, numerous boring innovations and advancements have been created.

The MultiBore® System

Wohlhaupter developed the world's first modular boring system in 1973 called MultiBore. MultiBore was created with a system of modular components that is compatible with every machine spindle.

The Innovation

Since the development of the T-A[®], Allied Machine has expanded its product offering to support a vast range of customer applications, including large diameter and deep hole drilling, boring, reaming, burnishing, porting, and threading.



Today

In 2016, Allied Machine & Engineering joined forces with Wohlhaupter to create a globally sought after specialist for the entire holemaking process. Our customer support is crucial to what we do, and that's why we make sure the best engineers and customer service associates are in place to assist our customers around the world.



Steve Stokey
Executive Vice President
Allied Machine & Engineering

Frank-M. Wohlhaupter
Managing Director
Wohlhaupter GmbH

Paul Crawford
Managing Director
Allied Machine & Engineering
(Europe) Ltd.

William H. Stokey
President and CEO

Mike Stokey
Executive Vice President
Allied Machine & Engineering



ALLIED MACHINE & ENGINEERING

Holemaking Solutions for Today's Manufacturing

WOHLHAUPTER



SUPERION

CRITERION

Contents

Introduction

Icon Reference Guide iii

Product Offering Overview iv - vii

Customer Support and Training Information viii - ix

Online Tools x - xi

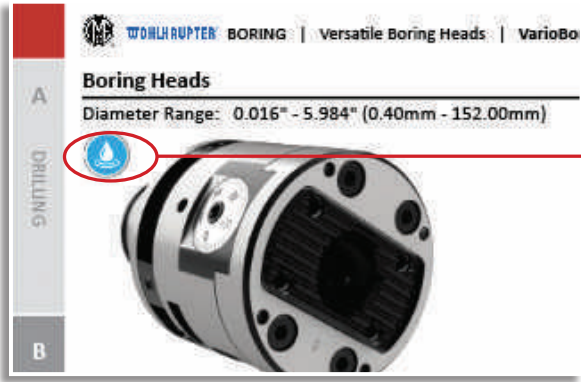
MVS Connection xii - xiii

A	Versatile Boring Heads VarioBore, 249 (248), PrimeBore, Digital 511 (510), DigiBore	B10-A: 1 - 79
B	Fine Boring 320 (310), 365 (364), 565 (564), 338 (337), 538 (537)	B10-B: 1 - 31
C	Rough and Finish Boring Combi-Line	B10-C: 1 - 7
D	Rough Machining Twin Cutters, Chamfering Tools, Grooving Tools, Axial Grooving Tools, Reverse Machining Tools	B10-D: 1 - 25
E	Large Diameter Boring Ø 7.874" - 128.14" (200mm - 3255mm)	B10-E: 1 - 27
F	Inserts Wohlhaupter™ Boring Inserts	B10-F: 1 - 47
G	Intermediate Modules	B10-G: 1 - 15
H	Master Shanks	B10-H: 1 - 17
I	Clamping Tools	B10-I: 1 - 43
J	UPA Universal Facing and Boring Heads	B10-J: 1 - 17
K	Specials	B10-K: 1 - 9
L	Lay Down Cartridges	B10-L: 1 - 21
M	Semi-Standard Insert Holders	B10-M: 1 - 21
N	Accessories / Technical Information and Guides Speeds / Feeds, Warnings, Length to Diameter Ratio, Weight Capacity	B10-N: 1 - 13
	Index	INDEX

Visit www.alliedmachine.com/Support/Literature to access the complete Allied Machine & Engineering product catalogs.

For a Guaranteed Test/Demo Application, see the last page of this book.

Icon Reference Guide



Navigate with ease.

The following icons will appear throughout the catalog to help you navigate between products and find the best solution quickly.

Tool Options



Coolant Through

Safety Information

Your safety and the safety of others is very important. This catalog contains important safety messages. Always read and follow all safety precautions.



This triangle is a safety hazard symbol. It alerts you to potential safety hazards that can cause tool failure and serious injury.

When you see this symbol in the catalog, look for a related safety message that may be near this triangle or referred to in the nearby text.

There are safety signal words also used in the catalog. Safety messages follow these words.

WARNING

WARNING (shown above) means that failure to follow the precautions in this message could result in tool failure and serious injury.

NOTICE means that failure to follow the precautions in this message could result in damage to the tool or machine but not result in personal injury.

NOTE and **IMPORTANT** are also used. These are important that you read and follow but are not safety-related.

Visit www.alliedmachine.com for the most up-to-date information and procedures.

Patent Information

Allied Machine & Engineering and Wohlhaupter patent information can be found at www.alliedmachine.com/patents



Product Offering Overview

Replaceable Insert Drills

- Reduce costs by decreasing setup time and utilizing a single holder for the lives of multiple inserts
- Provide flexibility to quickly switch between inserts with different geometries
- Products:
 - GEN3SYS® XT | GEN3SYS® XT Pro
 - T-A® | T-A® GEN2 | T-A Pro®
 - High Performance | Universal



Indexable Insert Drills

- Protect your investment and reduce your inventory with replaceable cartridges that allow the same holder to be used repeatedly
- Indexable inserts increase productivity and tool life while reducing costs
- Products:
 - 4TEX® Drill
 - Revolution Drill®
 - Opening Drill®



Replaceable / Indexable Insert Drills

- Drill large diameter holes and maximize penetration rates even on low horsepower machines
- Delivers strength and versatility needed for any deep hole drilling application
- Holders cover a range of sizes with the replaceable heads determining the cutting diameter
- Products:
 - APX™ Drill



Solid Carbide Drills

- Offer greater strength and stability when drilling tougher materials
- Available in diameters from 3mm - 20mm
- Can be made-to-order specifically for your application (Superion® quoted specials)
 - ASC 320®
 - Superion®



Structural Steel Solutions



- Deliver outstanding performance and durability in structural steel applications
- Designed to produce optimal results in difficult-to-machine materials
- Available in multiple lengths and diameters
- T-A® style drills have different insert geometry options to improve performance depending on material
- Products:
 - T-A® | T-A® GEN2
 - GEN3SYS® XT Pro

BTA (STS) Machining Solutions

- The internal ejection system flushes chips and debris from the hole with no interference to the cutting process
- Utilizes the advantages of the T-A® drill insert
- Designed to significantly increase penetration rates over brazed heads and traditional gun drills
- Products:
 - BT-A Drill



Hydraulic Port Contour Cutters



- Save significant time and money by performing four processes in one step
- Replaceable insert design reduces costs, inventory, and setup times
- Available in four industry specifications:
 - Imperial: SAE J-1926
 - Metric: ISO 6149-1:2006
 - Military: SAE AS5202
 - John Deere: JDS-G173.1
- Products:
 - AccuPort 432®



Enhanced Special Drilling Capabilities

- Allied Machine engineers are available to meet with you to evaluate your application and recommend the best solution for you
- Special drilling solutions can incorporate advanced features such as adjustable diameter locations, multiple steps, additional coolant designs, special lengths and diameters, and more
- Special drills can drastically reduce your cost per hole and increase your overall productivity by eliminating multiple processes and increasing tool life

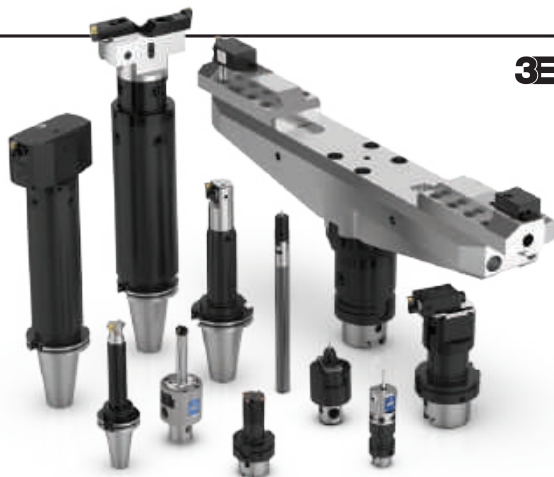


Product Offering Overview

WOHLHAUPTER®

High Precision Boring Systems

- Designs available for high volume applications that increase rigidity to improve performance
- Versatile boring heads that are flexible with changing applications while maintaining excellent performance
- Provides high precision with absolute repeatability to ensure every part is held to tolerance
- Offers an industry leading modular shank connection that maintains rigidity and reduces inventory on your boring system
- Available with both digital and analog settings
- Products:
 - Wohlhaupter® Boring Tools



3ETECH



NOTE: Adjustment accuracy of 0.0001" or 0.002mm on diameter



CRITERION®

Modular Boring Systems

- The modular capabilities are ideal for use across multiple different projects
- Offers versatile boring heads suitable for job shops and tooling rooms
- Provides an economical solution for low volume and/or short-term production applications
- Offers finish boring solutions
- Products:
 - Criterion® Boring Tools

S.C.A.M.I.®

Expandable Reaming Solutions

- Expandable cutting diameters accommodate for wear, which extends tool life
- Replaceable cutting heads and rings reduce waste and improve production time versus solid high speed steel and carbide reamers
- Hold tight tolerances to ensure processes are performed to accurate specifications
- Reduce tooling costs because many items are available for reconditioning
- Products:
 - ALVAN® Reamers



S.C.A.M.I.®

Roller Burnishing Solutions

- Produce excellent surface finishes
- Provide accurate size control
- Increase surface hardness
- Solutions for both through hole and blind hole applications
- Products:
 - S.C.A.M.I.® Roller Burnishing Tools





Solid Carbide Thread Mills

- Available with coolant through options
- Cover a wide range of thread forms
- Provide optimal solutions for both high production projects and short-run applications
- Products
 - AccuThread® 856
 - AccuThread® T3
 - ThreadMills USA™



Indexable Insert Thread Mills

- Three insert lengths are available that cover a wide range of thread forms
- Holders can utilize inserts with different pitches and thread forms
- Repeatability is achieved by both the bolt-in style and the pin style locking systems
- Increase tool life by 25 - 50% with Allied Machine's AM210® coating
- Products
 - AccuThread® 856: Bolt-in Style
 - AccuThread® 856: Pin Style



SPECIAL CAPABILITIES


When it comes to designing and developing special solutions for customers, Allied Machine is the top choice. If your application requires special tooling, give us a call. Our engineered specials are developed by the brightest engineers in the industry. Most of our standard tooling can be altered as specials, or we can create entirely new concepts for particularly unique applications.

One special tooling solution is Insta-Quote®, the online system that allows you to design your own special tooling 24/7. Receive a quote and drawings within minutes just by following the steps.

And with the addition of Superior® technology and capabilities, we can customize made-to-order solid carbide tools to achieve optimal results for your applications.

Whatever your application, Allied Machine has the answer.



Insta-Quote® 



 SUPERION®



Customer Support

Support You Can Count On

Allied Machine has many lines of support to ensure we're available to assist you at all times. It's important to establish relationships with new customers, but we also know it's equally important to strengthen and support relationships with existing customers. Whether you need help with an order or you need someone to come assist you at the spindle, we have the right people to get you what you need.

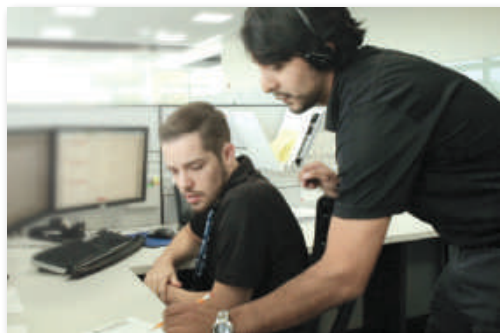


1

Inside Sales Support

Our inside sales team is trained to handle your account information and general inquiries. We are happy to assist you and find the answers to your questions.

- ☎ 1.330.343.4283 ext. 8610
- ☎ 1.800.321.5537 (toll free United States and Canada)
- ✉ insidesales@alliedmachine.com



2

Engineering Support

Our highly trained and skilled Application Engineers are here to assist you. If you are experiencing technical difficulties, our engineers will recommend the best solutions to the problem. Speeds and feeds, coolant pressure, and other machining components all affect the performance of our tooling. Our AEs are experienced in working with difficult materials in many different environments. Give us a call and put our knowledge to the test.

- ☎ 1.330.343.4283 ext. 7611
- ☎ 1.800.321.5537 (toll free United States and Canada)
- ✉ appeng@alliedmachine.com

3

Field Support

Allied Machine provides local engineering support all over the world. Our Field Sales Engineers (FSEs) spend months training in-house before going to the field. This support line allows us to provide assistance to our customers right at the spindle. They are available to visit your facility, run demos and tests, and work hand-in-hand with machine operators and engineers to find the best possible tooling solutions.

NOTE: If you do not know your local FSE, please contact us

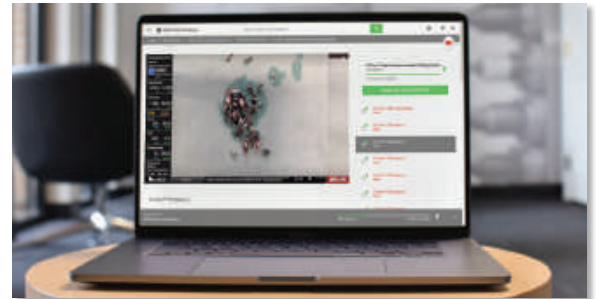
- ☎ 1.330.343.4283
- ☎ 1.800.321.5537 (toll free United States and Canada)
- ✉ info@alliedmachine.com



Online Training

Get *all* the tooling training of our 3-day in-person Technical Education Seminar (TES) through the online **Allied Tool Academy** training platform. Level up your tooling IQ through a series of product overviews, demos, and short quizzes.

- Online TES Certification as well as other training modules
- On demand
- On YOUR schedule



Register online today:
www.alliedtoolacademy.com



Register online today:
www.alliedmachine.com/live

Allied LIVE (Broadcasting)

Join us for **LIVE broadcast** training events where you will have the ability to learn about our tooling, watch live demos, and ask our trainers questions.

- Online
- Quick brief presentation provides basic knowledge of our products
- Watch live demos of tools at the spindle at different speeds and feeds

On-site Technical Education Seminar (TES)

Allied Machine's **Technical Education Seminar (TES)** puts the attendees in front of the machines. When you attend our three day TES program, you'll gain first-hand experience in *real-life* application situations. Test and experiment with different speeds and feeds, observe the results, and discover the best solution.

- Training Lab: In-depth training at the spindle allows you to choose speeds and feeds
- Learning Lab: Quick, brief sessions provide basic knowledge of our products
- Facility Tours: Take guided tours of our two manufacturing facilities located in Dover, Ohio



 Register online today:
www.alliedmachine.com/TES



**Allied Machine
Training Facility**
485 West 3rd Street
Dover, OH 44622



Increase the production and success of your applications today.

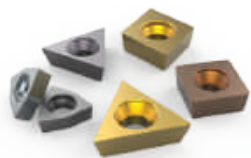
- Direct access to 2D drawings and 3D models
- Assemble and view tool images in your browser
- Download drawings for use in most machining software programs
- Browse products, search item numbers, and save assemblies for future use

toolmd.com

WOHLHAUPTER® Boring Insert Selector

Find the best insert for your application.

- Generate the correct boring insert for your job in just six easy steps
- Choose type, shape, substrate, insert form, nose radius, and material
- Order easily by adding the item to your cart



alliedmachine.com/bis

Product Selector

Use the product selector to find the right tool for your application.

- Follow guided steps to generate the right tool for your application
- Learn about your recommended tool and how to maximize its performance



alliedmachine.com/productselector

A
B
C
D
E
F
G
H
I
J
K
L
M
N
INDEX

Insta-Code®

Eliminate the wait. Get your program now.

- Choose the best thread mill for your application
- Create program code for your machine
- Available as a PC download app (that can be used offline)
- Website app available 24/7



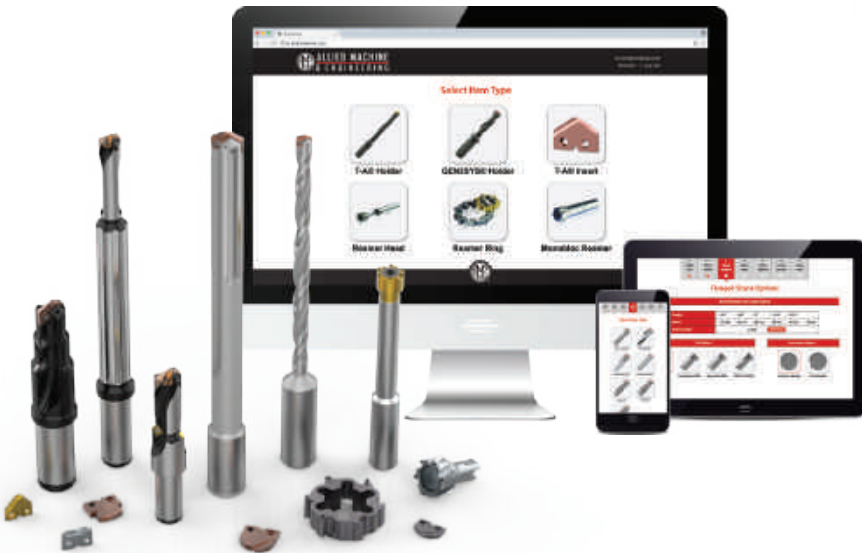
Insta-Code also has a **Cycle Time Calculator**

alliedmachine.com/InstaCode

Insta-Quote®

Design your custom tooling and receive a drawing and quote...all within minutes.

- Design and quote your own tooling
- Generate the solution you need in just a few steps
- Features the following products:
 - T-A® Inserts
 - T-A® Holders
 - GEN3SYS® XT Holders
 - ALVAN® Reamers



iq.alliedmachine.com

Solution Hub App

All Allied all the time.

- Quickly look up product information
- Links to our free online tools
- Locate distributors
- Stay up to date on news and events



Machinist Tool App

Quickly convert cutting tool parameters for the machine inputs you need.

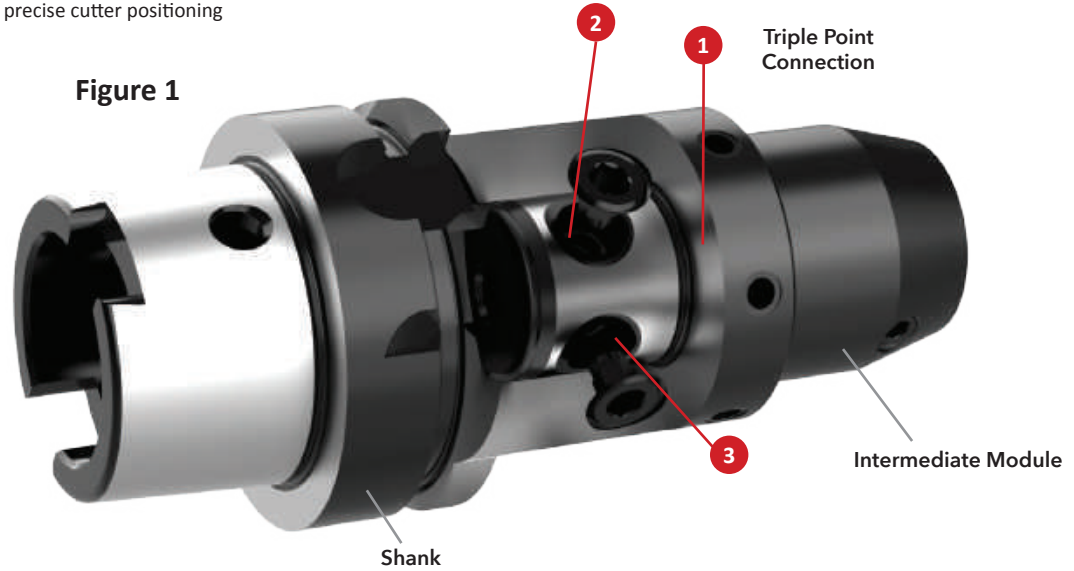
- Input data to calculate the RPM and speed and feed rates
- Also features the Boring Insert Selector
- Access product literature right at your fingertips



The MVS Connection

Wohlhaupter™ GmbH developed the world's first modular tooling system called MultiBore in 1973. The modular tooling system was designed to be compatible with all machine spindles, and its connection features a triple point clamp (Figure 1). The triple point clamp maximizes rigidity, and creates an accuracy less than 3µm when the tool is changed.

- Ensures high axial clamping forces on mating surfaces
- Provides maximum rigidity
- Threaded taper pins for precise cutter positioning



MVS Connection Color Guide

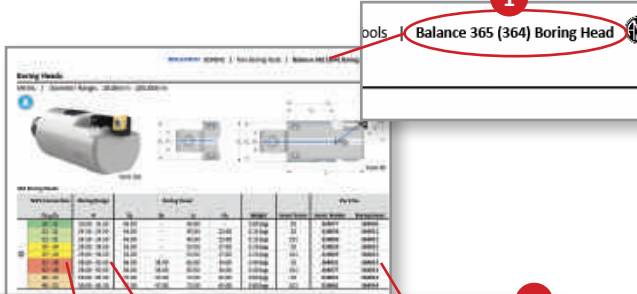
Wohlhaupter™ created a unique color-coding system to find the right connections for different tool components quickly and easily. Each Wohlhaupter / MVS connection size has its own color-coding. Simply match the colors to select the correct combination of tool components (Figure 2). We've also incorporated the color-coding system into our packaging to reduce setup time even more.



M 8	19.5 - 22	22 - 11	25 - 14	32 - 18	40 - 22	50 - 28	63 - 36	80 - 36	100 - 56	D 40	D 60
-----	-----------	---------	---------	---------	---------	---------	---------	---------	----------	------	------

MVS Connection Example - Selecting the Correct Intermediate Module

1 **Balance 365 (364) Boring Head**




2

MVS Connection	Boring Range	A	Part No.
19 - 11	20.00 - 24.50	46.00	364077 364030
22 - 11	24.50 - 29.50	46.00	210059 364031
22 - 11	24.50 - 29.50	46.00	210069 364031
25 - 14	29.00 - 38.50	56.00	210059 364032
25 - 14	29.00 - 38.50	56.00	210069 364032
32 - 18	38.00 - 50.50	66.00	264051 364033
32 - 18	38.00 - 50.50	66.00	264077 364033
40 - 22	50.00 - 65.50	75.00	210052 364034
40 - 22	50.00 - 65.50	75.00	210062 364034

3

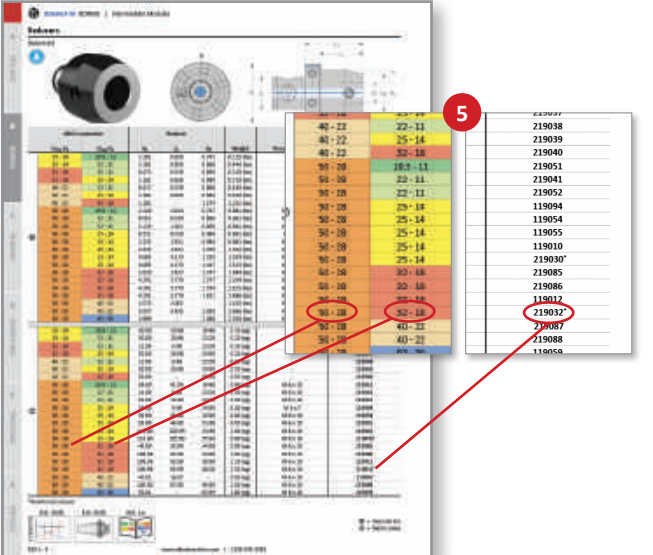
Master Shanks
Imperial | **DIN 69893 HSK**



4

Taper Size	Conn. V	Connection	Part No.
40	40	40 - 22	246016
40	50	50 - 28	246014
50	40	40 - 22	246015
50	50	50 - 28	245011
60	25	25 - 14	246012
60	32	32 - 18	246013
60	40	40 - 22	246014
60	50	50 - 28	245012
63	63	63 - 36	245013
63	80	80 - 29	240009
63	F	F - 40	252000*

5



Example Machining Parameters

Hole Diameter: 1.968" (50.00mm)
 Hole Depth: 3.149" (80.00mm)
 Machine Spindle: HSK-A 63 DIN 69893

- 1 Select your boring tool**
Example: 364 Balance Boring Head
- 2 Select the tool that meets the required boring range**
MVS connection: **32 - 18**
A = 1.496" - 1.988" (38.00mm - 50.50mm)
Part No. : **364033**



- 3 Select the master shank that fits your spindle**
Machine spindle: DIN 69893 HSK

- 4 Choose the connection that fits your application**
MVS connection: **50 - 28**
Part No. : **245012**



- 5 Select the correct intermediate module**

Must meet the hole depth requirements and MVS connections for both the boring head and shank

Hole depth: 3.149" (80.00mm)
 Boring tool 364033 length (X₁): 2.598" (66mm)
 Min. required length of adapter: 0.551" (14mm)
 Boring tool 364033 MVS connection: **32 - 18**
 Master shank 245012 MVS connection: **50 - 28**
 Adapter Part No.: **219032**



A
B
C
D
E
F
G
H
I
J
K
L
M
N
INDEX

SECTION

B10-A

Versatile Boring Heads

Wohlhaupter® Versatile Boring Heads

VarioBore | 249 (248) | PrimeBore | Digital 511 (510) | DigiBore

► Diameter Range: 0.016" - 8.188" (0.40mm - 208.00mm)



WOHLHAUPTER®

Precision boring at its finest.

From high precision to high production, Wohlhaupter has the right solution for your hole finishing applications. With the most reliable digital readout displays, the Wohlhaupter versatile boring product line offers the most precise and flexible modular system on the market.

Applicable Industries



Aerospace



Agriculture



Automotive



Firearms



General
Machining



Oil & Gas



Renewable
Energy

Your safety and the safety of others is very important. This catalog contains important safety messages. Always read and follow all safety precautions.



This triangle is a safety hazard symbol. It alerts you to potential safety hazards that can cause tool failure and serious injury.

When you see this symbol in the catalog, look for a related safety message that may be near this triangle or referred to in the nearby text.

There are safety signal words also used in the catalog. Safety messages follow these words.

WARNING (shown above) means that failure to follow the precautions in this message could result in tool failure and serious injury.

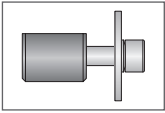
NOTICE means that failure to follow the precautions in this message could result in damage to the tool or machine but not result in personal injury.

NOTE and **IMPORTANT** are also used. These are important that you read and follow but are not safety-related.

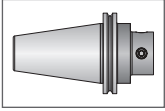
Visit www.alliedmachine.com for the most up-to-date information and procedures.

Reference Icons

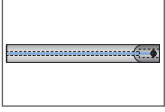
The following icons will appear throughout the catalog to help you navigate between products.



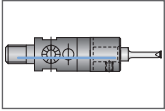
Clamping Elements
For use with insert holders and boring heads



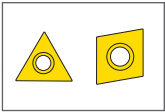
Shanks
A variety of shanks for different machines



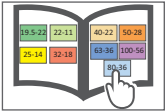
249 (248) Shanks
A variety of shanks for different machines



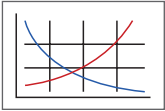
249 (248) Boring Head
249 (248) boring head that connects into the adapter shanks



Inserts
For use with insert holder boring heads and boring bars using indexable inserts



MVS Connection Color Guide
Detailed instructions and information regarding the MVS connection(s)



Recommended Cutting Data
Speed and feed recommendations for optimum and safe boring

Versatile Boring Head Contents

VarioBore

Product Overview	2 - 3
Boring Heads	4 - 5
Boring Bars	6 - 9
Serrated Tool Bodies & Insert Holders	10 - 11
Serrated Slides & Insert Holders	12
Insert Holders for Boring Heads	13
Outside Turning Tools	14 - 15
Accessories	16
VarioBore Kits	17 - 24

249 (248)

Product Overview	26 - 27
Boring Heads	28
Boring Bars	29 - 30
Adapters	31 - 32
Shanks	33
Accessories	34

PrimeBore

Product Overview	36 - 37
Boring Heads	38
Boring Bars	39 - 41
Serrated Tool Bodies & Insert Holders	42
Serrated Slides & Insert Holders	43 - 44
Outside Turning Tools	45 - 46
Accessories	47
PrimeBore Kits	48 - 49

Digital 511 (510)

Product Overview	50 - 51
Boring Heads	52
Boring Bars	53 - 55
Accessories	56

DigiBore

Product Overview	58 - 59
Boring Heads	60
Boring Bars	61 - 63
Serrated Tool Bodies & Insert Holders	64 - 65
Serrated Slides & Insert Holders	66
Outside Turning Tools	67 - 68
Accessories	69 - 70
DigiBore Kits	71 - 78

Series	Diameter Range	
	Imperial (inch)	Metric (mm)
VarioBore 563 (536)	0.016 - 5.984	0.40 - 152.00
249 (248) Boring Head	0.118 - 1.188	3.00 - 30.20
PrimeBore 451 (450)	0.118 - 8.189	3.00 - 208.00
Digital 511 (510)	0.016 - 0.472	0.40 - 12.00
DigiBore 504 (501)	0.118 - 8.189	3.00 - 208.00

VarioBore Product Overview

VarioBore with 3E^{TECH} VERSATILE BORING

Need more versatility?

The Wohlhaupter® VarioBore head offers precision and versatility, and the 3E^{TECH} docking port provides convenient and simple diameter adjustments. Turn your vernier VarioBore tools into easy-to-read digital boring tools with the 3E^{TECH} external digital module.

Experience *precision boring* for yourself.

- Diameter range: 0.016" - 5.984" (0.40mm - 152.00mm)
- Offers outside turning capabilities: 0.157" - 4.488" (4.00mm - 114.00mm)
- Ease the stress of working on different day-to-day projects with boring kits
- 3E^{TECH} module provides a simple digital readout
- Max spindle speed: 27,500 RPM



NOTE: Imperial item pictured

NOTE: Adjustment accuracy of 0.0001" or 0.002mm on diameter

IMPORTANT: Max spindle speed refers to maximum possible speed for an individual boring head and is not a recommended parameter. Refer to page B10-N: 10 for recommended application-specific parameters. Factory technical assistance is available for your specific applications through our Application Engineering department.
ext: 7611 | email: appeng@alliedmachine.com



3E TECH
Universal Digital
Module



VarioBore Head

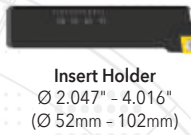
NOTE: Imperial item pictured
NOTE: Adjustment accuracy of
0.0001" or 0.002mm on diameter

VARIO BORE

with **3E TECH** Universal Digital
Readout Module



Coolant
Delivery
System



Insert Holder
Ø 2.047" - 4.016"
(Ø 52mm - 102mm)



Outside Turning
Ø 0.157" - 2.598"
(Ø 4mm - 66mm)



Serrated Tool Body



Serrated Tool
Body



Carbide Boring Bar
Ø 0.394" - 0.787"
(Ø 10mm - 20mm)



Heavy Metal
Boring Bar
Ø 0.236" - 0.394"
(Ø 6mm - 10mm)



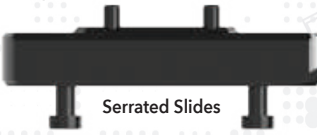
Steel Boring
Bar
Ø 0.236" - 1.063"
(Ø 6mm - 27mm)



Adapter



Reducing
Sleeve



Serrated Slides



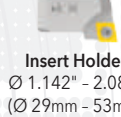
Counter
Weight



Insert Holder
Ø 2.677" - 5.984"
(Ø 68mm - 152mm)



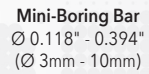
Outside Turning
Ø 0.079" - 2.283"
(Ø 2mm - 58mm)



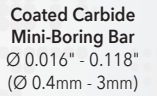
Insert Holder
Ø 1.142" - 2.087"
(Ø 29mm - 53mm)



Insert Holder
Ø 0.787" - 1.260"
(Ø 20mm - 32mm)



Mini-Boring Bar
Ø 0.118" - 0.394"
(Ø 3mm - 10mm)



Coated Carbide
Mini-Boring Bar
Ø 0.016" - 0.118"
(Ø 0.4mm - 3mm)

OPERATION **VERSATILITY**

from **0.016"** to **5.984"** (0.4mm to 152mm)
plus outside turning

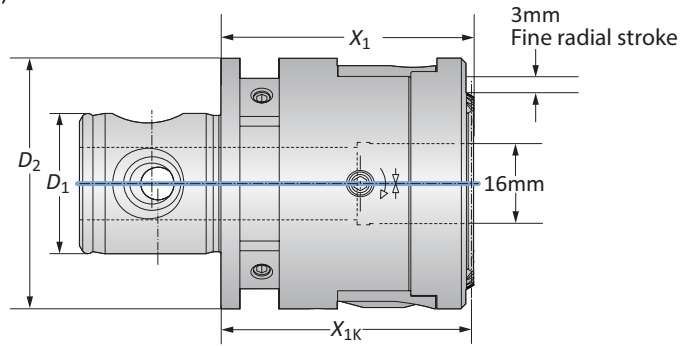


NOTE: Imperial item pictured
NOTE: Adjustment
accuracy of 0.0001" or
0.002mm on diameter



Boring Heads

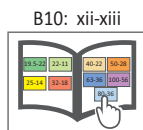
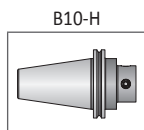
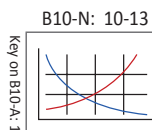
Diameter Range: 0.016" - 5.984" (0.40mm - 152.00mm)



VarioBore Boring Heads

	MVS Connection		Boring Head		Weight	Part No.
	$D_2 D_1$	Boring Range	X_1	X_{1K}		
i	50 - 28	0.016 - 5.984	1.968	1.948	1.543 (lbs)	563001
m	50 - 28	0.40 - 152.00	50.00	49.50	0.70 (kg)	536001

NOTE: VarioBore heads are compatible with Kaiser® connection

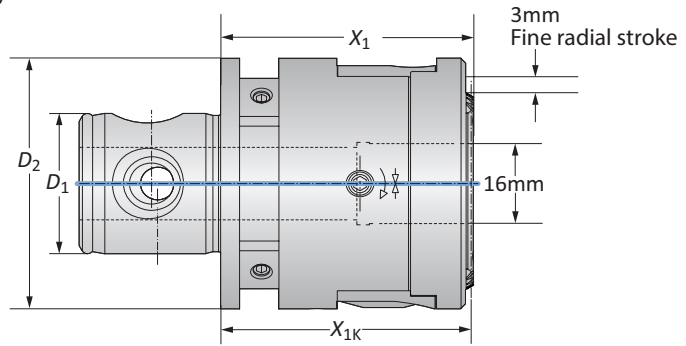


i = Imperial (in)
m = Metric (mm)

IMPORTANT: Max spindle speed refers to maximum possible speed for an individual boring head and is not a recommended parameter. Refer to page B10-N: 10 for recommended application-specific parameters. Factory technical assistance is available for your specific applications through our Application Engineering department.
ext: 7611 | email: appeng@alliedmachine.com

Boring Heads with 3E^{TECH}

Diameter Range: 0.016" - 5.984" (0.40mm - 152.00mm)



VarioBore Boring Head

MVS Connection		Boring Head				
	D_2 D_1	Boring Range	X_1	X_{1K}	Weight	Part No.
i	50 - 28	0.016 - 5.984	1.968	1.948	1.543 (lbs)	563002
m	50 - 28	0.40 - 152.00	50.00	49.50	0.70 (kg)	536002

NOTE: 3E^{TECH} digital readout module must be ordered separately.

NOTE: VarioBore heads are compatible with Kaiser® connection

3E^{TECH} Digital Readout Module

	Part No.
i	563010
m	536010



NOTE: Imperial item pictured

NOTE: Adjustment accuracy of 0.0001" or 0.002mm on diameter

Key on B10-A: 1

B10-N: 10-13

B10-H

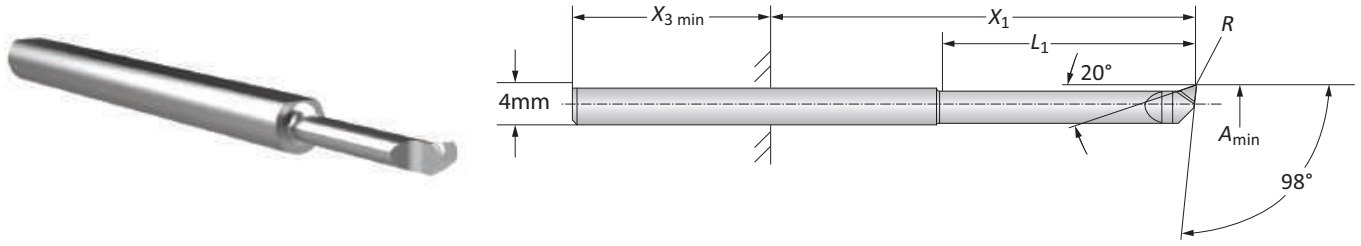
B10: xii-xiii

i = Imperial (in)
m = Metric (mm)

IMPORTANT: Max spindle speed refers to maximum possible speed for an individual boring head and is not a recommended parameter. Refer to page B10-N: 10 for recommended application-specific parameters. Factory technical assistance is available for your specific applications through our Application Engineering department.
ext: 7611 | email: appeng@alliedmachine.com

Mini Boring Bars

WHC126 Coated Carbide | Diameter Range: 0.016" - 0.118" (0.40mm - 3.00mm)



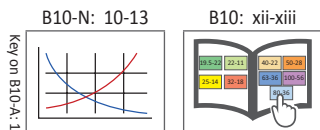
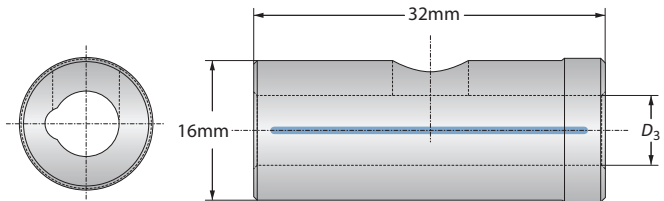
Mini Boring Bars

	Boring Range		Boring Bar			Part No.
	A_{min}	X_1	$X_{3 \text{ min}}$	L_1	R	
i	0.016	0.118 - 0.669	0.980	0.079	0.0010	081401HC126
	0.024	0.157 - 0.709	0.980	0.118	0.0020	081402HC126
	0.031	0.197 - 0.748	0.980	0.157	0.0020	081403HC126
	0.039	0.236 - 0.787	0.980	0.197	0.0025	081404HC126
	0.059	0.335 - 0.886	0.980	0.295	0.0025	081405HC126
	0.079	0.433 - 0.984	0.980	0.394	0.0025	081406HC126
	0.098	0.531 - 1.083	0.980	0.492	0.0025	081407HC126
	0.110	0.591 - 1.142	0.980	0.551	0.0030	081408HC126
m	0.40	3.00 - 17.00	25.00	2.00	0.03	081401HC126
	0.60	4.00 - 18.00	25.00	3.00	0.04	081402HC126
	0.80	5.00 - 19.00	25.00	4.00	0.04	081403HC126
	1.00	6.00 - 20.00	25.00	5.00	0.05	081404HC126
	1.50	8.50 - 22.50	25.00	7.50	0.05	081405HC126
	2.00	11.00 - 25.00	25.00	10.00	0.05	081406HC126
	2.50	13.50 - 27.50	25.00	12.50	0.05	081407HC126



Reducing Sleeve

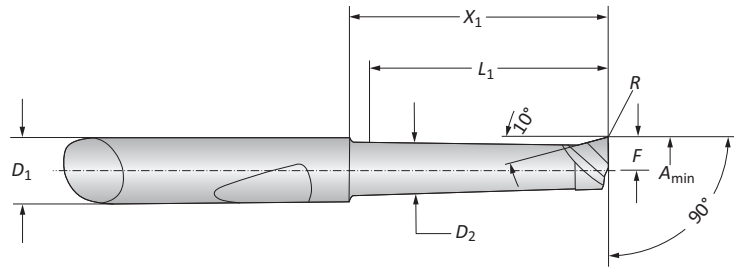
Reducing Sleeve		
D_3	Weight	Part No.
4.00	0.05 (kg)	450129



i = Imperial (in)
m = Metric (mm)

Mini Boring Bars

WHC05 | WHW04 | WBN150 | Diameter Range: 0.118" - 0.394" (3.00mm - 10.00mm)



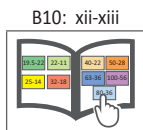
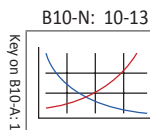
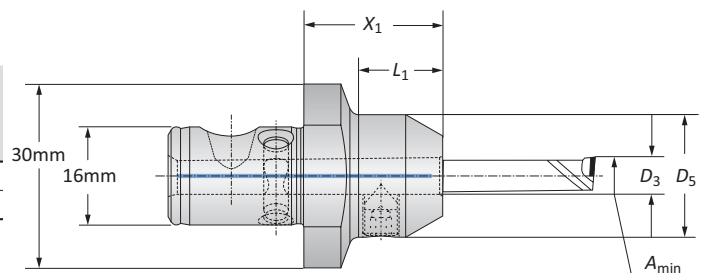
Mini Boring Bars

Boring Range	Boring Bar							Part No.		
	A_{min}	D_1	D_2	X_1	L_1	F	R	Coated Carbide	Uncoated Carbide	CBN
i	0.118	0.236	0.102	0.452	0.393	0.055	0.003	081306HC05	-	081322BN150
	0.118	0.236	0.102	0.649	0.590	0.055	0.003	081307HC05	081307HW04	-
	0.157	0.236	0.141	0.472	0.393	0.074	0.007	081308HC05	-	081317BN150
	0.157	0.236	0.141	0.669	0.590	0.074	0.007	081309HC05	-	081341BN150
	0.157	0.236	0.141	0.866	0.787	0.074	0.007	081310HC05	081310HW04	-
	0.196	0.236	0.181	0.472	0.393	0.074	0.007	081311HC05	-	081318BN150
	0.196	0.236	0.181	0.866	0.787	0.074	0.007	081312HC05	-	081319BN150
	0.196	0.236	0.181	1.259	1.181	0.074	0.007	081313HC05	081313HW04	-
	0.236	0.236	0.220	0.866	0.787	0.114	0.007	081314HC05	-	081320BN150
	0.236	0.236	0.220	1.259	1.181	0.114	0.007	081315HC05	-	081321BN150
	0.236	0.236	0.220	1.653	1.574	0.114	0.007	081316HC05	081316HW04	-
	0.314	0.314	0.229	0.984	0.905	0.153	0.007	081323HC05	-	-
0.314	0.314	0.229	1.968	1.889	0.153	0.007	081324HC05	-	-	
m	3.00	6.00	2.60	11.50	10.00	1.40	0.10	081306HC05	-	081322BN150
	3.00	6.00	2.60	16.50	15.00	1.40	0.10	081307HC05	081307HW04	-
	4.00	6.00	3.60	12.00	10.00	1.90	0.20	081308HC05	-	081317BN150
	4.00	6.00	3.60	17.00	15.00	1.90	0.20	081309HC05	-	081341BN150
	4.00	6.00	3.60	22.00	20.00	1.90	0.20	081310HC05	081310HW04	-
	5.00	6.00	4.60	12.00	10.00	2.40	0.20	081311HC05	-	081318BN150
	5.00	6.00	4.60	22.00	20.00	2.40	0.20	081312HC05	-	081319BN150
	5.00	6.00	4.60	32.00	30.00	2.40	0.20	081313HC05	081313HW04	-
	6.00	6.00	5.60	22.00	20.00	2.90	0.20	081314HC05	-	081320BN150
	6.00	6.00	5.60	32.00	30.00	2.90	0.20	081315HC05	-	081321BN150
	6.00	6.00	5.60	42.00	40.00	2.90	0.20	081316HC05	081316HW04	-
	8.00	8.00	7.60	25.00	23.00	3.90	0.20	081323HC05	-	-
8.00	8.00	7.60	50.00	48.00	3.90	0.20	081324HC05	-	-	



Adapters

Boring Range	Adapter				Part No.
	A_{min}	D_3	D_5	X_1	
3.00	6.00	20.00	22.50	14.00	319010
8.00	8.00	22.00	22.50	14.00	236071

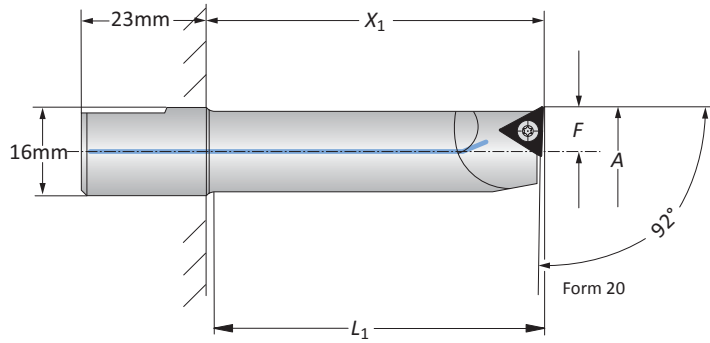


i = Imperial (in)
m = Metric (mm)

A
B
C
D
E
F
G
H
I
J
K
L
M
N
INDEX

Boring Bars

Steel 92° Angle | Diameter Range: 0.236" - 1.063" (6.00mm - 27.00mm)



	Boring Range		Boring Bar		Weight	Insert Form	Part No.	Insert Form	Part No.
	A	X ₁	L ₁	F					
	0.236 - 0.315	0.866	0.748	0.110	0.070 (lbs)	-	-	211	081053
	0.315 - 0.394	1.181	1.063	0.150	0.090 (lbs)	-	-	211	218071
	0.394 - 0.472	1.772	1.654	0.189	0.110 (lbs)	-	-	20*	081044
	0.394 - 0.472	0.984	0.866	0.189	0.090 (lbs)	101*	218047	20*	218058
	0.394 - 0.472	1.378	1.260	0.189	0.110 (lbs)	101*	218048	20*	218059
	0.472 - 0.551	1.181	1.063	0.228	0.110 (lbs)	101*	218012	20*	218014
	0.472 - 0.551	1.772	1.654	0.228	0.130 (lbs)	101*	218049	20*	218060
	0.551 - 0.630	1.378	1.260	0.268	0.130 (lbs)	101*	218050	20*	218061
i	0.551 - 0.630	1.969	1.850	0.268	0.180 (lbs)	101*	218051	20*	218062
	0.591 - 0.669	1.457	1.339	0.291	0.130 (lbs)	-	-	20*	081048
	0.591 - 0.669	2.362	2.244	0.291	0.180 (lbs)	101*	081041	20*	081045
	0.630 - 0.786	1.575	1.457	0.307	0.180 (lbs)	101*	218052	20*	218063
	0.630 - 0.786	2.362	2.244	0.307	0.200 (lbs)	101*	218053	20*	218064
	0.787 - 0.983	1.457	1.299	0.386	0.150 (lbs)	-	-	20*	081049
	0.787 - 0.866	2.756	2.480	0.386	0.240 (lbs)	101*	081042	20*	081046
	0.984 - 1.063	1.457	1.299	0.484	0.150 (lbs)	-	-	20*	081050
	0.984 - 1.063	2.756	2.638	0.484	0.240 (lbs)	101*	081043	20*	081047
<hr/>									
	6.00 - 8.00	22.00	19.00	2.80	0.03 (kg)	-	-	211	081053
	8.00 - 10.00	30.00	27.00	3.80	0.04 (kg)	-	-	211	218071
	10.00 - 12.00	45.00	42.00	4.80	0.05 (kg)	-	-	20*	081044
	10.00 - 12.00	25.00	22.00	4.80	0.04 (kg)	101*	218047	20*	218058
	10.00 - 12.00	35.00	32.00	4.80	0.05 (kg)	101*	218048	20*	218059
	12.00 - 14.00	30.00	27.00	5.80	0.05 (kg)	101*	218012	20*	218014
	12.00 - 14.00	45.00	42.00	5.80	0.06 (kg)	101*	218049	20*	218060
	14.00 - 16.00	35.00	32.00	6.80	0.06 (kg)	101*	218050	20*	218061
m	14.00 - 16.00	50.00	47.00	6.80	0.08 (kg)	101*	218051	20*	218062
	15.00 - 17.00	37.00	34.00	7.40	0.06 (kg)	-	-	20*	081048
	15.00 - 17.00	60.00	57.00	7.40	0.08 (kg)	101*	081041	20*	081045
	16.00 - 20.00	40.00	37.00	7.80	0.08 (kg)	101*	218052	20*	218063
	16.00 - 20.00	60.00	57.00	7.80	0.09 (kg)	101*	218053	20*	218064
	20.00 - 25.00	37.00	33.00	9.80	0.07 (kg)	-	-	20*	081049
	20.00 - 22.00	70.00	63.00	9.80	0.11 (kg)	101*	081042	20*	081046
	25.00 - 27.00	37.00	33.00	12.30	0.07 (kg)	-	-	20*	081050
	25.00 - 27.00	70.00	67.00	12.30	0.11 (kg)	101*	081043	20*	081047

*Not suitable for indexable inserts with a radius of 0.031" (0.80mm)

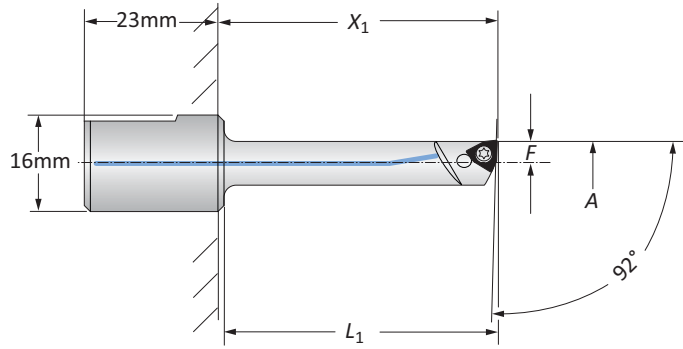
B10: 10-13 B10-F B10: xii-xiii

Key on B10-A:1

i = Imperial (in)
m = Metric (mm)
Inserts sold separately

Boring Bars

Heavy Metal | Carbide

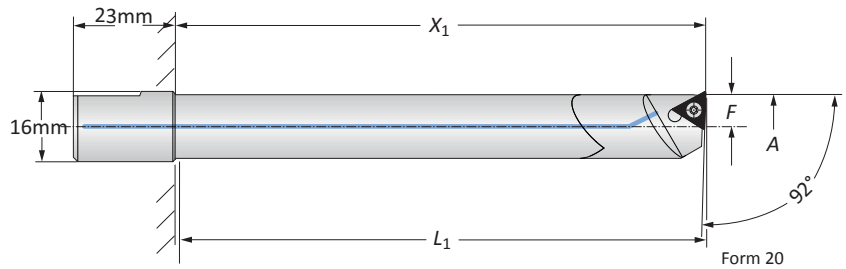


Heavy Metal Boring Bars | Diameter Range: 0.236" - 0.394" (6.00mm - 10.00mm)

	Boring Range		Boring Bar			Weight	Insert Form	Part No.
	A	X ₁	L ₁	F				
i	0.236 - 0.315	1.260	1.142	0.110	0.176 (lbs)	211	081055	
	0.315 - 0.394	1.772	1.654	0.150	0.198 (lbs)	211	218072	
m	6.00 - 8.00	32.00	29.00	2.80	0.08 (kg)	211	081055	
	8.00 - 10.00	45.00	42.00	3.80	0.09 (kg)	211	218072	



Form 101



Carbide Boring Bars | Diameter Range: 0.394" - 0.787" (10.00mm - 20.00mm)

	Boring Range		Boring Bar			Weight	Insert Form	Part No.	Insert Form	Part No.
	A	X ₁	L ₁	F						
i	0.394 - 0.472	2.165	2.047	0.189	0.154 (lbs)	101*	218042	20*	218037	
	0.394 - 0.472	2.953	2.835	0.189	0.198 (lbs)	101*	218032	20*	218029	
	0.472 - 0.551	2.756	2.638	0.228	0.220 (lbs)	101*	218043	20*	218038	
	0.472 - 0.551	3.543	3.425	0.228	0.331 (lbs)	101*	218033	20*	218030	
	0.551 - 0.630	2.953	2.835	0.268	0.353 (lbs)	101*	218044	20*	218039	
	0.551 - 0.630	3.937	3.819	0.268	0.441 (lbs)	101*	218045	20*	218040	
	0.630 - 0.787	3.543	3.425	0.307	0.573 (lbs)	101*	218046	20*	218041	
	0.630 - 0.787	4.724	4.606	0.307	0.728 (lbs)	101*	218034	20*	218031	
m	10.00 - 12.00	55.00	52.00	4.80	0.07 (kg)	101*	218042	20*	218037	
	10.00 - 12.00	75.00	72.00	4.80	0.09 (kg)	101*	218032	20*	218029	
	12.00 - 14.00	70.00	67.00	5.80	0.10 (kg)	101*	218043	20*	218038	
	12.00 - 14.00	90.00	87.00	5.80	0.15 (kg)	101*	218033	20*	218030	
	14.00 - 16.00	75.00	72.00	6.80	0.16 (kg)	101*	218044	20*	218039	
	14.00 - 16.00	100.00	97.00	6.80	0.20 (kg)	101*	218045	20*	218040	
	16.00 - 20.00	90.00	87.00	7.80	0.26 (kg)	101*	218046	20*	218041	
	16.00 - 20.00	120.00	117.00	7.80	0.33 (kg)	101*	218034	20*	218031	

*Not suitable for indexable inserts with a radius of 0.031" (0.80mm)

B10: 10-13

B10-F

B10: xii-xiii

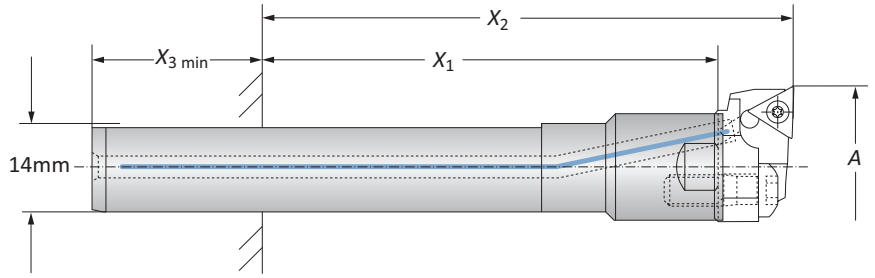
Key on B10-A: 1

i = Imperial (in)
m = Metric (mm)
Inserts sold separately

A
B
C
D
E
F
G
H
I
J
K
L
M
N
INDEX

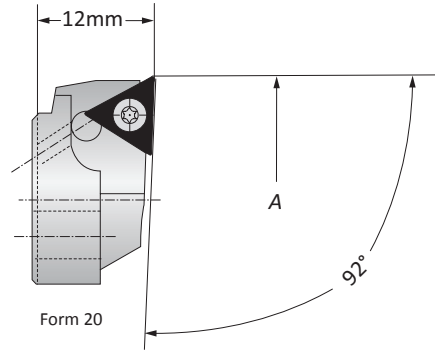
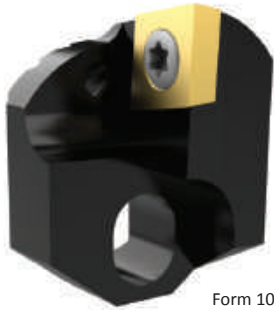
Serrated Tool Bodies | Insert Holders

Diameter Range: 0.787" - 1.260" (20.00mm - 32.00mm)



Serrated Tool Bodies

	Substrate	Boring Range	Serrated Tool Body			Weight	Part No.
		A	X_1	X_2	$X_3 \text{ min}$		
i	Steel	0.787 - 1.260	1.457 - 2.835	1.929 - 3.307	1.181	0.287 (lbs)	514029
	Carbide	0.787 - 1.260	2.550 - 3.937	3.031 - 4.409	1.181	0.551 (lbs)	514030
	Carbide	0.787 - 1.260	3.937 - 5.315	4.409 - 5.787	1.181	0.728 (lbs)	514031
m	Steel	20.00 - 32.00	37.00 - 72.00	49.00 - 84.00	30.00	0.13 (kg)	514029
	Carbide	20.00 - 32.00	65.00 - 100.00	77.00 - 112.00	30.00	0.25 (kg)	514030
	Carbide	20.00 - 32.00	100.00 - 135.00	112.00 - 147.00	30.00	0.33 (kg)	514031



Insert Holders

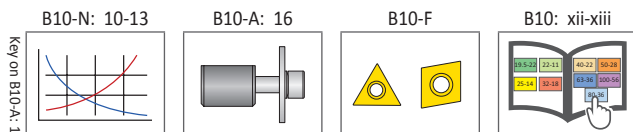
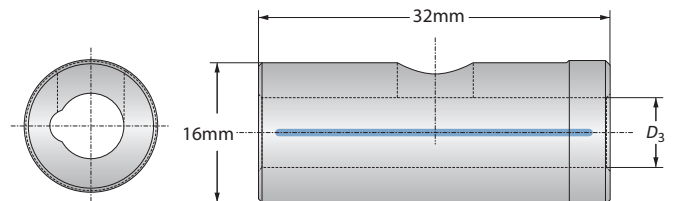
	Boring Range		Insert Form	Part No.	Insert Form	Part No.
	A	Weight				
i	0.787 - 0.866	0.022 (lbs)	101*	502052	20*	502046
	0.866 - 0.945	0.022 (lbs)	101*	502053	20*	502047
	0.945 - 1.024	0.022 (lbs)	101*	502054	20*	502048
	1.024 - 1.102	0.022 (lbs)	101*	502055	20*	502049
	1.102 - 1.181	0.022 (lbs)	101*	502056	20*	502050
	1.181 - 1.260	0.022 (lbs)	101*	502057	20*	502051
m	20.00 - 22.00	0.01 (kg)	101*	502052	20*	502046
	22.00 - 24.00	0.01 (kg)	101*	502053	20*	502047
	24.00 - 26.00	0.01 (kg)	101*	502054	20*	502048
	26.00 - 28.00	0.01 (kg)	101*	502055	20*	502049
	28.00 - 30.00	0.01 (kg)	101*	502056	20*	502050
	30.00 - 32.00	0.01 (kg)	101*	502057	20*	502051

*Not suitable for indexable inserts with a radius of 0.031" (0.80mm)



Reducing Sleeve

Reducing Sleeve		
D_3	Weight	Part No.
14.00	0.01 (kg)	450136

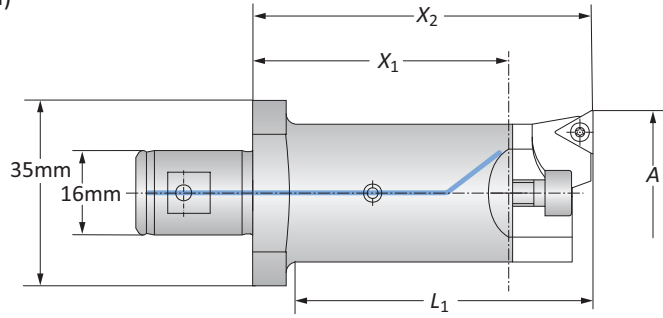


i = Imperial (in)
m = Metric (mm)

Inserts sold separately

Serrated Tool Bodies | Insert Holders

Diameter Range: 1.142" - 2.087" (29.00mm - 53.00mm)

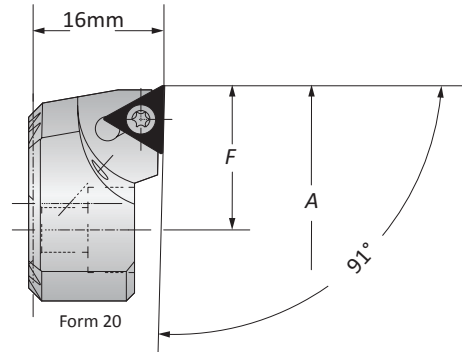


Serrated Tool Bodies

	Boring Range	Serrated Tool Body			Weight	Part No.
	A	X ₂	X ₁	L ₁		
i	1.142 - 2.087	2.520	1.890	2.205	0.441 (lbs)	236021
	1.142 - 2.087	3.937	3.307	3.622	0.661 (lbs)	236031
m	29.00 - 53.00	64.00	48.00	56.00	0.20 (kg)	236021
	29.00 - 53.00	100.00	84.00	92.00	0.30 (kg)	236031



Form 101

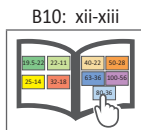
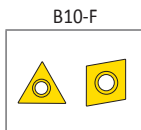
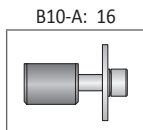
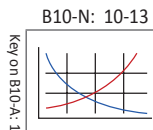


Form 20

Insert Holders

	Boring Range	Insert Holder	Weight	Insert Form	Part No.
	A	F			
i	1.142 - 1.614	0.698	0.088 (lbs)	20*	236022
	1.142 - 1.614	0.698	0.088 (lbs)	101	236023
	1.575 - 2.087	0.925	0.132 (lbs)	20*	236024
	1.575 - 2.087	0.925	0.132 (lbs)	101	236025
m	29.00 - 41.00	17.75	0.04 (kg)	20*	236022
	29.00 - 41.00	17.75	0.04 (kg)	101	236023
	40.00 - 53.00	23.50	0.06 (kg)	20*	236024
	40.00 - 53.00	23.50	0.06 (kg)	101	236025

*Not suitable for indexable inserts with a radius of 0.031" (0.80mm)

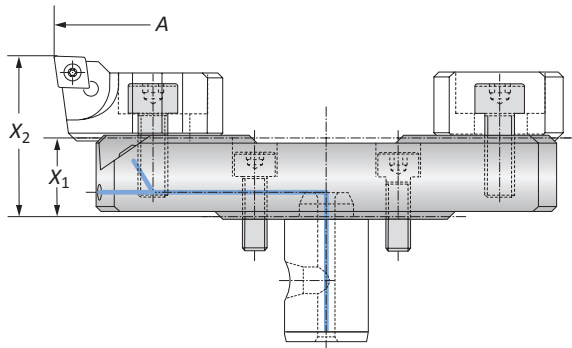


i = Imperial (in)
m = Metric (mm)
Inserts sold separately

A
B
C
D
E
F
G
H
I
J
K
L
M
N
INDEX

Alu-Line Serrated Slides | Insert Holders

Diameter Range: 2.677" - 5.984" (68.00mm - 152.00mm)



Alu-Line Serrated Slides

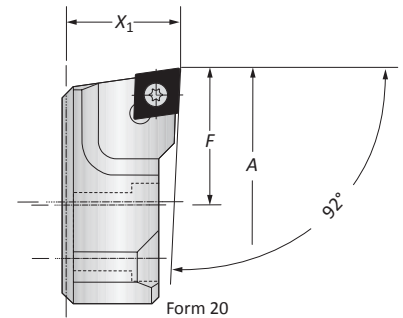
	Boring Range	Serrated Slide		Weight	Part No.
	A	X ₁	X ₂		
i	2.677 - 3.780	0.630	1.279	0.220 (lbs)	501054
	3.780 - 4.882	0.630	1.279	0.220 (lbs)	501055
	4.882 - 5.984	0.630	1.279	0.440 (lbs)	501056
m	68.00 - 96.00	16.00	32.50	0.10 (kg)	501054
	96.00 - 124.00	16.00	32.50	0.10 (kg)	501055
	124.00 - 152.00	16.00	32.50	0.20 (kg)	501056

Insert Holders

	Boring Range	Weight	Insert Form	Part No.
i	2.677 - 5.984	0.110 (lbs)	101	502064
	2.677 - 5.984	0.110 (lbs)	20	502069
m	68.00 - 152.00	0.05 (kg)	101	502064
	68.00 - 152.00	0.05 (kg)	20	502069



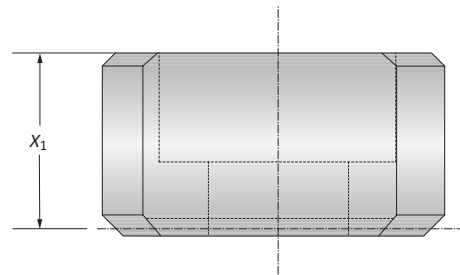
Form 101



Form 20

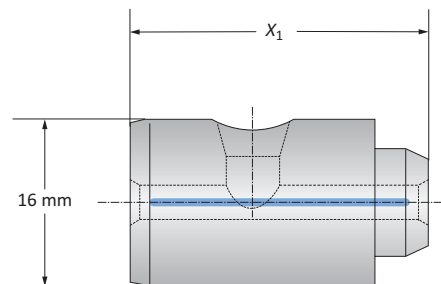
Counter Weights

	Counter Weight	Weight	Part No.
	X ₁		
i	1.004	0.110 (lbs)	502165
m	13.40	0.05 (kg)	502165



Alu-Line Coolant Delivery Sections

	Coolant Delivery	Weight	Part No.
	X ₁		
i	1.004	0.022 (lbs)	450137
m	25.50	0.01 (kg)	450137



B10-N: 10-13

B10-A: 16

B10-F

B10: xii-xiii

Key on B10-A: 1

i = Imperial (in)
m = Metric (mm)

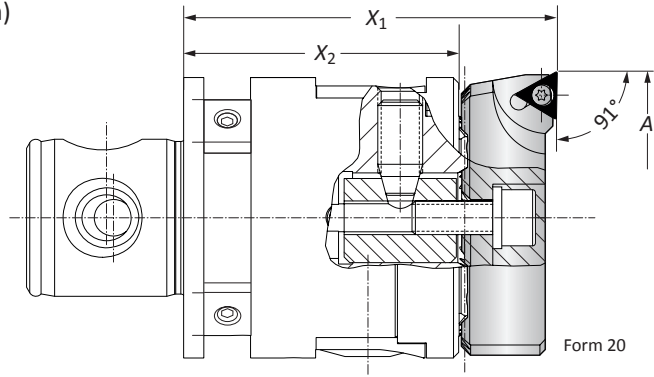
Inserts sold separately

Insert Holders for Boring Heads

Diameter Range: 2.047" - 4.016" (52.00mm - 102.00mm)



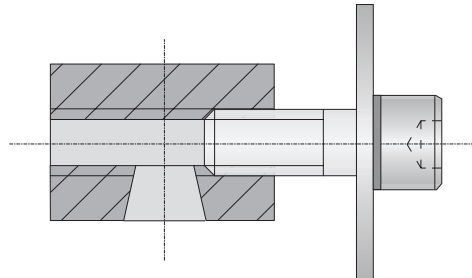
Form 101



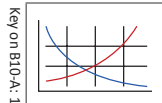
	Boring Range		Insert Holder		Weight	Insert Form	Part No.
	A	X ₁	X ₂				
i	2.047 - 3.031	2.598	1.949		0.132 (lbs)	20	236026
	2.047 - 3.031	2.598	1.949		0.132 (lbs)	101	236027
	2.992 - 4.016	2.598	1.949		0.220 (lbs)	20	236028
	2.992 - 4.016	2.598	1.949		0.220 (lbs)	101	236029
m	52.00 - 77.00	66.00	49.50		0.06 (kg)	20	236026
	52.00 - 77.00	66.00	49.50		0.06 (kg)	101	236027
	76.00 - 102.00	66.00	49.50		0.10 (kg)	20	236028
	76.00 - 102.00	66.00	49.50		0.10 (kg)	101	236029

Clamping Piece for Insert Holder for Boring Heads

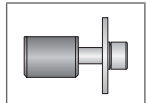
Boring Range	Complete Part No.
52.00 - 102.00	236020



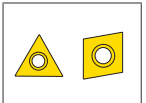
B10-N: 10-13



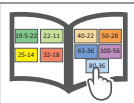
B10-A: 16



B10-F



B10: xii-xiii

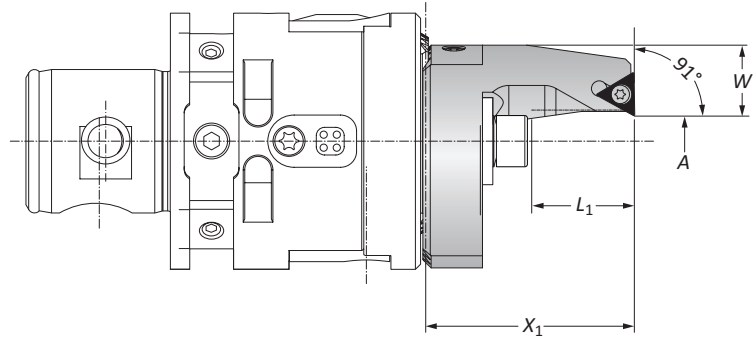


i = Imperial (in)
 m = Metric (mm)
 Inserts sold separately

A
B
C
D
E
F
G
H
I
J
K
L
M
N
INDEX

Outside Turning Insert Holders for Boring Heads

Outside Turning | Diameter Range: 0.157" - 2.598" (4.00mm - 66.00mm)

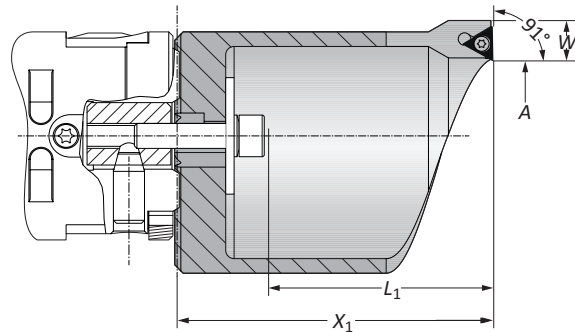


Type A Insert Holders

	Boring Range		Insert Holder			Weight	Type	Insert Form	Part No.
	A	X ₁	L ₁	W					
i	0.157 - 0.689	3.543	0.787	0.653	0.220	A	20*	236081	
	0.650 - 1.181	3.937	1.181	0.437	0.220	A	20*	236082	
m	4.00 - 17.50	45.00	20.00	16.60	0.10	A	20*	236081	
	16.50 - 30.00	52.50	30.00	11.10	0.10	A	20*	236082	

NOTE: Clockwise and neutral execution

*Not suitable for indexable inserts with a radius of 0.031" (0.80mm)



Type B Insert Holders

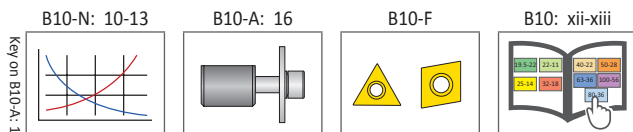
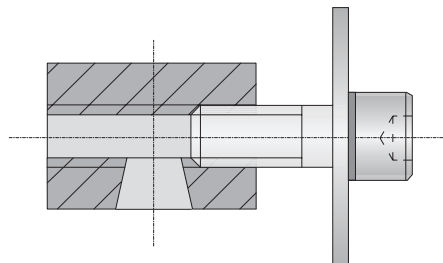
	Boring Range		Insert Holder			Weight	Type	Insert Form	Part No.
	A	X ₁	L ₁	W					
i	1.142 - 1.732	4.921	2.126	0.377	0.661 (lbs)	B	20*	236083	
	1.693 - 2.598	5.905	3.110	0.377	0.882 (lbs)	B	20*	236084	
m	29.00 - 44.00	63.50	54.00	9.60	0.30 (kg)	B	20*	236083	
	43.00 - 66.00	85.50	79.00	9.60	0.40 (kg)	B	20*	236084	

NOTE: Clockwise and neutral execution

*Not suitable for indexable inserts with a radius of 0.031" (0.80mm)

Clamping Pieces for Outside Turning Insert Holders

	Boring Range	Complete Part No.
m	4.00 - 30.00	236088
	29.00 - 66.00	236089

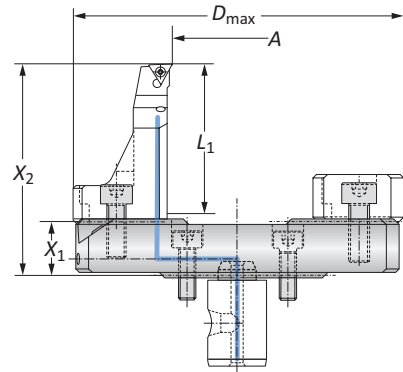


i = Imperial (in)
m = Metric (mm)

Inserts sold separately

Outside Turning Serrated Slides | Insert Holders

Diameter Range: 0.079" - 4.488" (2.00mm - 114.00mm)



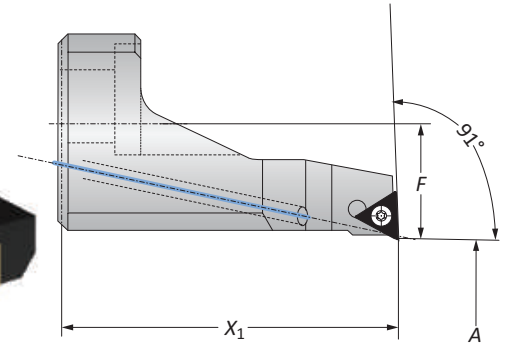
Serrated Slides

	Outside Turning Range	Serrated Slide			Weight	Interfering Diameter	Part No.
	A	X ₁	X ₂	L ₁		D _{max}	
i	0.079 - 1.181	0.630	2.874	2.165	0.771 (lbs)	3.976	501065
	1.181 - 2.283	0.630	2.874	2.165	0.970 (lbs)	5.079	501066
m	2.00 - 30.00	16.00	73.00	55.00	0.35 (kg)	101.00	501065
	30.00 - 58.00	16.00	73.00	55.00	0.44 (kg)	129.00	501066



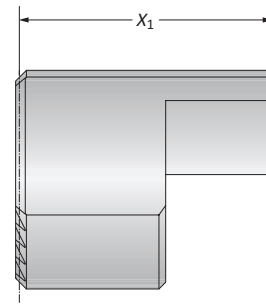
Insert Holders

	Boring Range	Insert Holder		Weight	Inset Form	Part No.
	A	X ₁	F			
i	0.079 - 4.488	2.244	0.776	0.331 (lbs)	20	502082
m	2.00 - 114.00	57.00	19.70	0.15 (kg)	20	502082



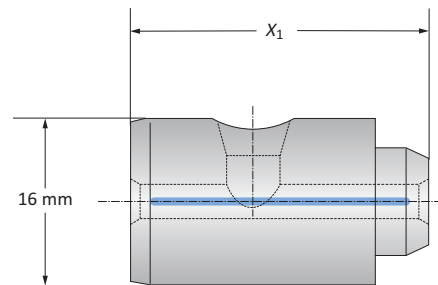
Counter Weights

	Counter Weight	Weight	Part No.
	X ₁		
i	1.486	0.352 (lbs)	502183
m	37.75	0.16 (kg)	502183



Alu-Line Coolant Delivery Sections

	Coolant Delivery Section	Weight	Part No.
	X ₁		
i	1.004	0.022 (lbs)	450137
m	25.50	0.01 (kg)	450137



B10-N: 10-13

B10-A: 16

B10-F

B10: xii-xiii

Key: on B10-A: 1

i = Imperial (in)
 m = Metric (mm)
 Inserts sold separately

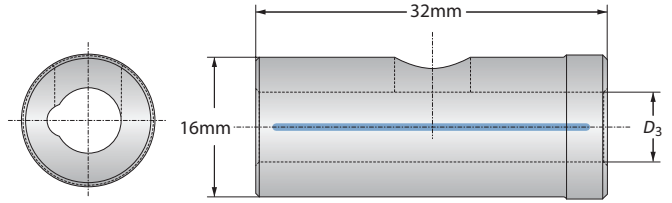
A
B
C
D
E
F
G
H
I
J
K
L
M
N
INDEX

Accessories

Imperial Reducing Sleeves | Clamping Elements | Thread Pin | Balancing Element | 3E^{TECH} Accessories

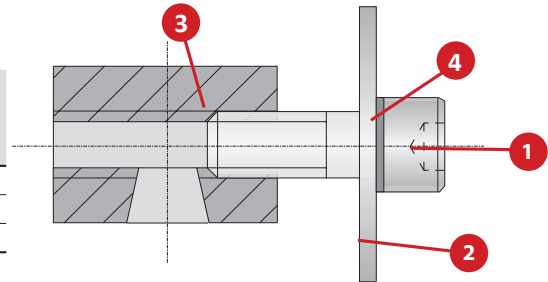
Imperial Reducing Sleeves

	D_3	Weight	Part No.
	0.125	0.110 (lbs)	450142
	0.250	0.088 (lbs)	450143
i	0.312	0.088 (lbs)	450144
	0.375	0.088 (lbs)	450145
	0.500	0.088 (lbs)	450146



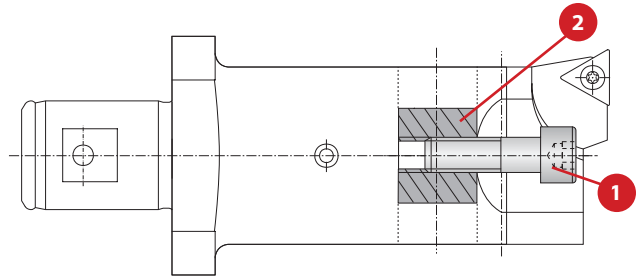
Clamping Elements for Insert Holders

Boring Range	1 Cap Screw	Hex Size	2 Washer	3 Clamping Nut	4 Locking Washer	Complete Part No.
4 - 30	070153	s5	315155	236120	215254	236088
29 - 66	070153	s5	315156	236120	215254	236089
52 - 102	115147	s5	115725	236120	-	236020



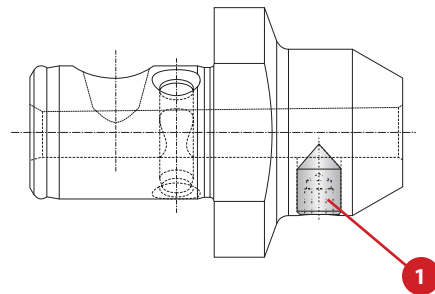
Clamping Elements for Serrated Tool Body

1 Cap Screw	Hex Size	2 Clamping Piece
027154	s4	145184



Thread Pin

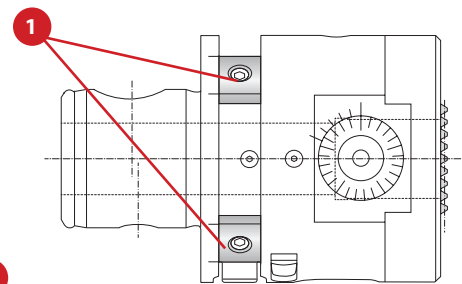
Service Key	1 Part No.
S3 / A	415244



Balancing Element

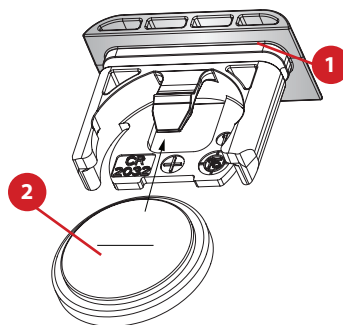
Nominal Size	Key Size / Type	1 Part No.
M8x8	s2 / A	536005

NOTE: Balancing elements sold separately



3E^{TECH} Accessories

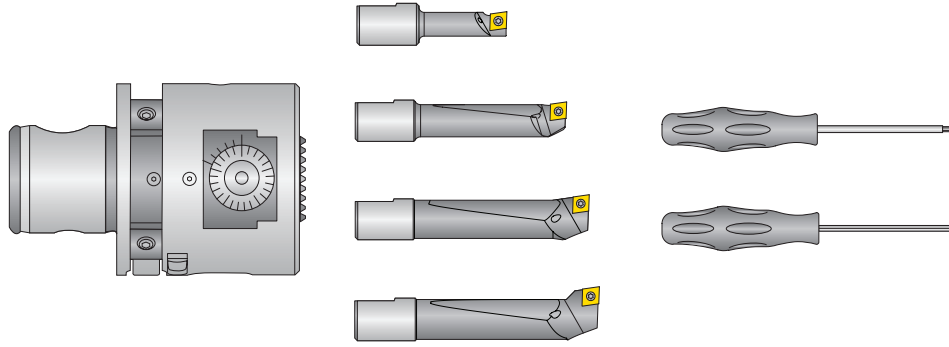
1 Sealing Ring	2 Battery CR2032
Part No.	Part No.
215483	515491



i = Imperial (in)
m = Metric (mm)

Kit Components

Non-Digital | Insert Form 101 | Diameter Range: 0.393" - 1.181" (10.00mm - 30.00mm)



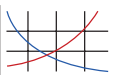
Kit Components					
	Boring Head	Boring Bar Range	Boring Bars	Service Keys	Kit No.
i	563001	0.393 - 0.590	218048	115575 (s2.5)	104050
		0.590 - 0.787	081041	215403 (s4)	
		0.787 - 0.984	081042	115590 (T7)	
		0.984 - 1.181	081043		
m	536001	10.00 - 15.00	218048	115575 (s2.5)	103050
		15.00 - 20.00	081041	215403 (s4)	
		20.00 - 25.00	081042	115590 (T7)	
		25.00 - 30.00	081043		

NOTE: Inserts sold separately

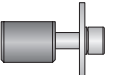


key on B10-A: 1

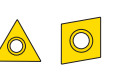
B10-N: 10-13




B10-A: 16



B10-F



B10: xii-xiii

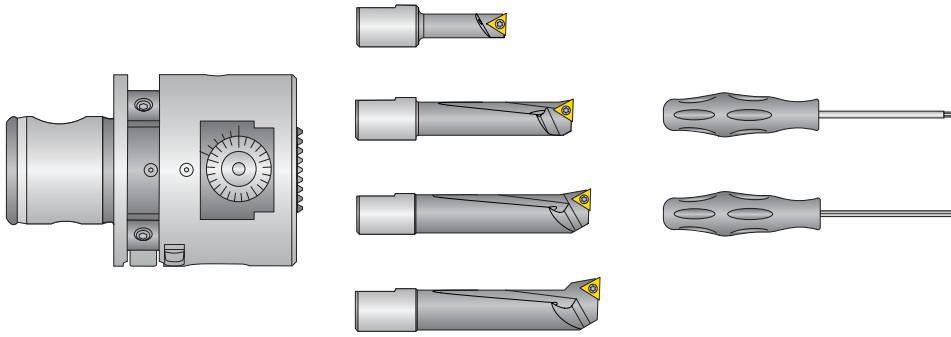


i = Imperial (in)
m = Metric (mm)
 Inserts sold separately

IMPORTANT: Max spindle speed refers to maximum possible speed for an individual boring head and is not a recommended parameter. Refer to page B10-N: 10 for recommended application-specific parameters. Factory technical assistance is available for your specific applications through our Application Engineering department.
 ext: 7611 | email: appeng@alliedmachine.com

Kit Components

Non-Digital | Insert Form 20 | Diameter Range: 0.393" - 1.181" (10.00mm - 30.00mm)



Kit Components					
	Boring Head	Boring Bar Range	Boring Bars	Service Keys	Kit No.
i	563001	0.393 - 0.590	218059	115575 (s2.5)	104049
		0.590 - 0.787	081045	215403 (s4)	
		0.787 - 0.984	081046	115590 (T7)	
		0.984 - 1.181	081047		
m	536001	10.00 - 15.00	218059	115575 (s2.5)	103049
		15.00 - 20.00	081045	215403 (s4)	
		20.00 - 25.00	081046	115590 (T7)	
		25.00 - 30.00	081047		

NOTE: Inserts sold separately



B10-N: 10-13

Key on B10-A: 1

B10-A: 16

B10-F

B10: xii-xiii

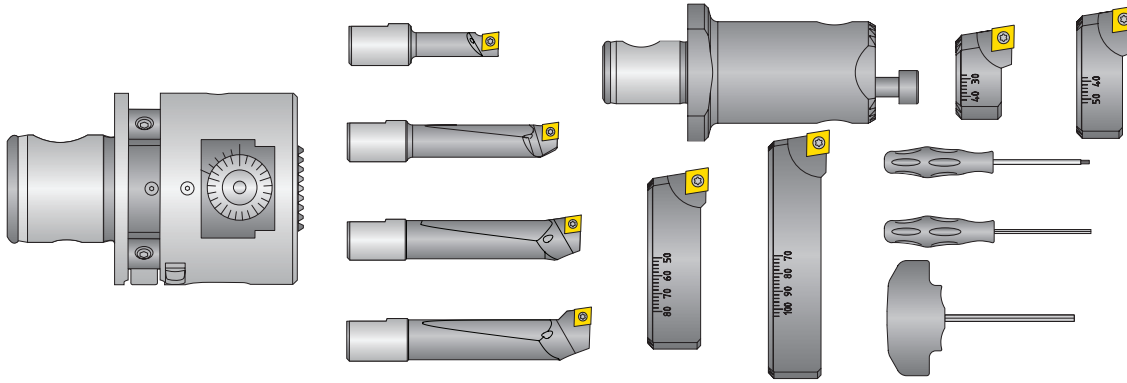
i = Imperial (in)
m = Metric (mm)

Inserts sold separately

IMPORTANT: Max spindle speed refers to maximum possible speed for an individual boring head and is not a recommended parameter. Refer to page B10-N: 10 for recommended application-specific parameters. Factory technical assistance is available for your specific applications through our Application Engineering department.
ext: 7611 | email: appeng@alliedmachine.com

Kit Components

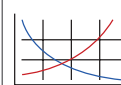
Non-Digital | Insert Form 101 | Diameter Range: 0.393" - 4.016" (10.00mm - 102.00mm)

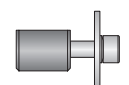


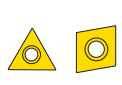
Kit Components										
Boring Head	Boring Bars		Insert Holders for Boring Head			Serrated Tool Body & Insert Holders			Service Keys	Kit No.
	Boring Bar Range	Part No.	Insert Holder Range	Part No.	Clamping Piece	Serrated Tool Body	Insert Holder Range	Part No.		
i	0.393 - 0.590	218048	1.141 - 1.614	236023	236020	236021	2.047 - 3.031	236027	115575 (s2.5)	104052
	0.590 - 0.787	081041	1.574 - 2.086	236025			2.992 - 4.016	236029	215403 (s4)	
	0.787 - 0.984	081042							215521 (s5)	
	0.984 - 1.181	081043							115590 (T7)	
m	10.00 - 15.00	218048	29.00 - 41.00	236023	236020	236021	52.00 - 77.00	236027	115575 (s2.5)	103052
	15.00 - 20.00	081041	40.00 - 53.00	236025			76.00 - 102.00	236029	215403 (s4)	
	20.00 - 25.00	081042							215521 (s5)	
	25.00 - 30.00	081043							115590 (T7)	

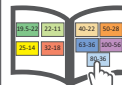
NOTE: Inserts sold separately



B10-N: 10-13


B10-A: 16


B10-F


B10: xii-xiii


i = Imperial (in)

m = Metric (mm)

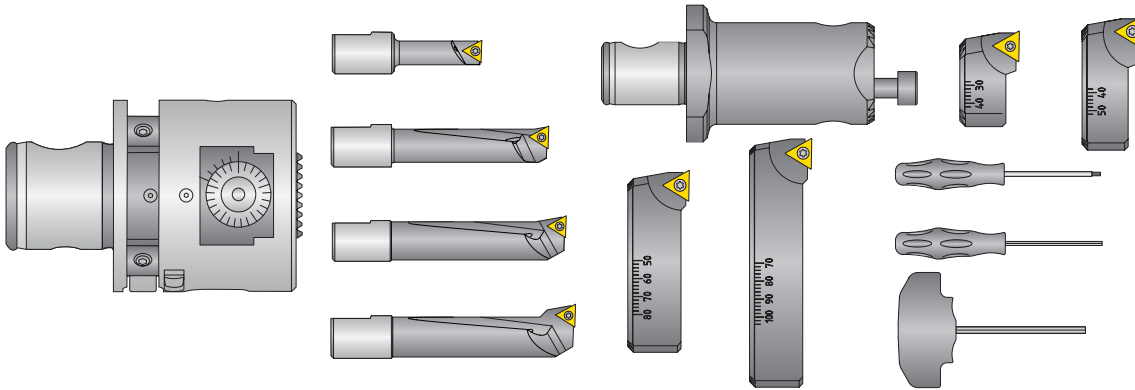
Inserts sold separately

IMPORTANT: Max spindle speed refers to maximum possible speed for an individual boring head and is not a recommended parameter. Refer to page B10-N: 10 for recommended application-specific parameters. Factory technical assistance is available for your specific applications through our Application Engineering department.

ext: 7611 | email: appeng@alliedmachine.com

Kit Components

Non-Digital | Insert Form 20 | Diameter Range: 0.393" - 4.016" (10.00mm - 102.00mm)



Kit Components										
Boring Head	Boring Bars		Insert Holders for Boring Head			Serrated Tool Body & Insert Holders			Service Keys	Kit No.
	Boring Bar Range	Part No.	Insert Holder Range	Part No.	Clamping Piece	Serrated Tool Body	Insert Holder Range	Part No.		
i	0.393 - 0.590	218059	1.141 - 1.614	236022	236020	236021	2.047 - 3.031	236026	115575 (s2.5)	104051
	0.590 - 0.787	081045	1.574 - 2.086	236024			2.992 - 4.016	236028	215403 (s4)	
	0.787 - 0.984	081046							215521 (s5)	
	0.984 - 1.181	081047							115590 (T7)	
m	10.00 - 15.00	218059	29.00 - 41.00	236022	236020	236021	52.00 - 77.00	236026	115575 (s2.5)	103051
	15.00 - 20.00	081045	40.00 - 53.00	236024			76.00 - 102.00	236028	215403 (s4)	
	20.00 - 25.00	081046							215521 (s5)	
	25.00 - 30.00	081047							115590 (T7)	

NOTE: Inserts sold separately



B10-N: 10-13

B10-A: 16

B10-F

B10: xii-xiii

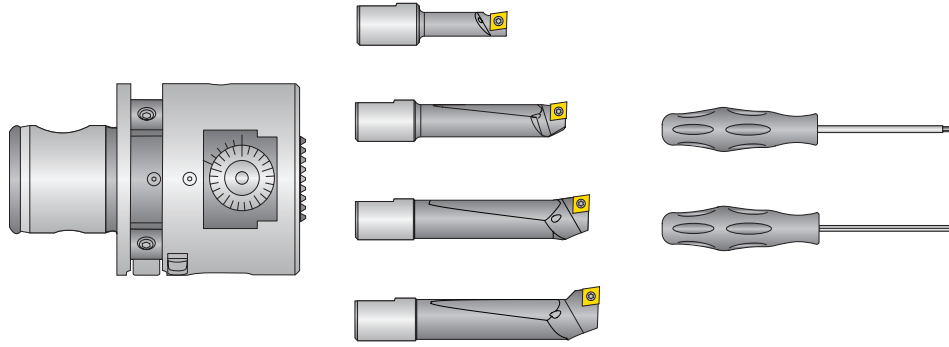
i = Imperial (in)
m = Metric (mm)

Inserts sold separately

IMPORTANT: Max spindle speed refers to maximum possible speed for an individual boring head and is not a recommended parameter. Refer to page B10-N: 10 for recommended application-specific parameters. Factory technical assistance is available for your specific applications through our Application Engineering department.
ext: 7611 | email: appeng@alliedmachine.com

Kit Components

3E^{TECH} | Insert Form 101 | Diameter Range: 0.393" - 1.181" (10.00mm - 30.00mm)



Kit Components					
	Boring Head	Boring Bar Range	Boring Bars	Service Keys	Kit No.
i	563002	0.393 - 0.590	218048	115575 (s2.5)	104046
		0.590 - 0.787	081041	215403 (s4)	
		0.787 - 0.984	081042	115590 (T8)	
		0.984 - 1.181	081043		
m	536002	10.00 - 15.00	218048	115575 (s2.5)	103046
		15.00 - 20.00	081041	215403 (s4)	
		20.00 - 25.00	081042	115590 (T8)	
		25.00 - 30.00	081043		

NOTE: Inserts sold separately

NOTE: 3E^{TECH} digital readout module sold separately



3E^{TECH} Digital Readout Module

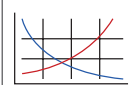
	Part No.
i	563010
m	536010



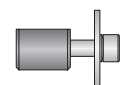
NOTE: Imperial item pictured

NOTE: Adjustment accuracy of 0.0001" or 0.002mm on diameter

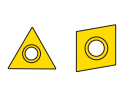
B10-N: 10-13




B10-A: 16



B10-F



B10: xii-xiii



Key on B10-A-1

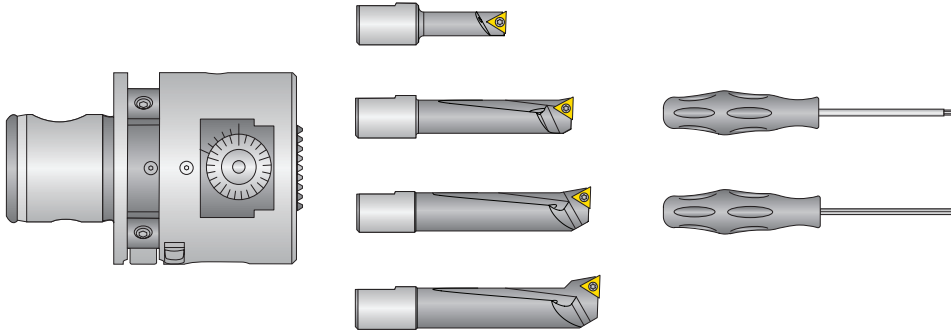
i = Imperial (in)
m = Metric (mm)

Inserts sold separately

IMPORTANT: Max spindle speed refers to maximum possible speed for an individual boring head and is not a recommended parameter. Refer to page B10-N: 10 for recommended application-specific parameters. Factory technical assistance is available for your specific applications through our Application Engineering department.
ext: 7611 | email: appeng@alliedmachine.com

Kit Components

3E^{TECH} | Insert Form 20 | Diameter Range: 0.393" - 1.181" (10.00mm - 30.00mm)



Kit Components					
	Boring Head	Boring Bar Range	Boring Bars	Service Keys	Kit No.
i	563002	0.393 - 0.590	218059	115575 (s2.5)	104045
		0.590 - 0.787	081045	215403 (s4)	
		0.787 - 0.984	081046	115591 (T7)	
		0.984 - 1.181	081047		
m	536002	10.00 - 15.00	218059	115575 (s2.5)	103045
		15.00 - 20.00	081045	215403 (s4)	
		20.00 - 25.00	081046	115591 (T7)	
		25.00 - 30.00	081047		

NOTE: Inserts sold separately

NOTE: 3E^{TECH} digital readout module sold separately



3E^{TECH} Digital Readout Module

	Part No.
i	563010
m	536010



NOTE: Imperial item pictured

NOTE: Adjustment accuracy of 0.0001" or 0.002mm on diameter

B10-N: 10-13

B10-A: 16

B10-F

B10: xii-xiii

Key on B10-A: 1

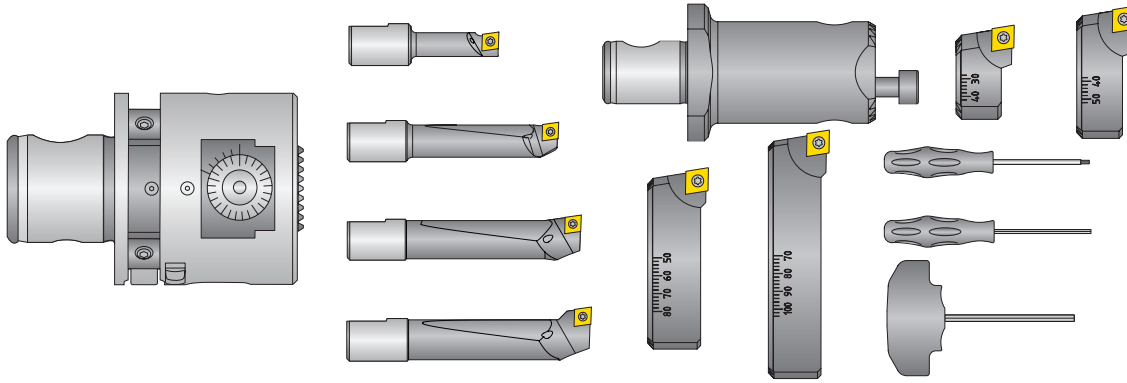
i = Imperial (in)
m = Metric (mm)

Inserts sold separately

IMPORTANT: Max spindle speed refers to maximum possible speed for an individual boring head and is not a recommended parameter. Refer to page B10-N: 10 for recommended application-specific parameters. Factory technical assistance is available for your specific applications through our Application Engineering department.
ext: 7611 | email: appeng@alliedmachine.com

Kit Components

3E^{TECH} | Insert Form 101 | Diameter Range: 0.393" - 4.016" (10.00mm - 102.00mm)



Kit Components											
	Boring Head	Boring Bars		Insert Holders for Boring Head			Serrated Tool Body & Insert Holders			Service Keys	Kit No.
		Boring Bar Range	Part No.	Insert Holder Range	Part No.	Clamping Piece	Serrated Tool Body	Insert Holder Range	Part No.		
i	563002	0.393 - 0.590	218048	1.141 - 1.614	236023	236020	236021	2.047 - 3.031	236027	115575 (s2.5)	104048
		0.590 - 0.787	081041	1.574 - 2.086	236025			2.992 - 4.016	236029	215403 (s4)	
		0.787 - 0.984	081042							215521 (s5)	
		0.984 - 1.181	081043							115590 (T7)	
m	536002	10.00 - 15.00	218048	29.00 - 41.00	236023	236020	236021	52.00 - 77.00	236027	115575 (s2.5)	103048
		15.00 - 20.00	081041	40.00 - 53.00	236025			76.00 - 102.00	236029	215403 (s4)	
		20.00 - 25.00	081042							215521 (s5)	
		25.00 - 30.00	081043							115590 (T7)	

NOTE: Inserts sold separately

NOTE: 3E^{TECH} digital readout module sold separately



3E^{TECH} Digital Readout Module

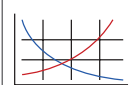
	Part No.
i	563010
m	536010



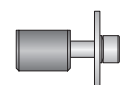
NOTE: Imperial item pictured

NOTE: Adjustment accuracy of 0.0001" or 0.002mm on diameter

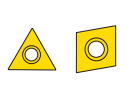
B10-N: 10-13




B10-A: 16



B10-F



B10: xii-xiii



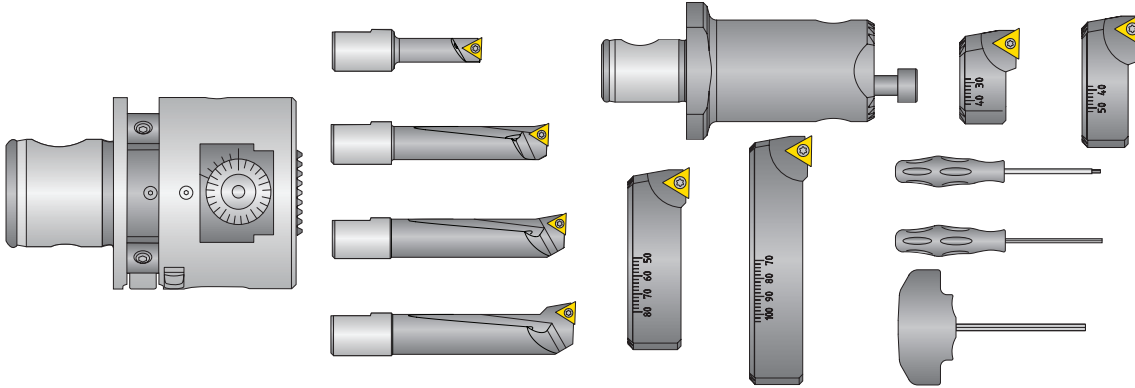
i = Imperial (in)
m = Metric (mm)

Inserts sold separately

IMPORTANT: Max spindle speed refers to maximum possible speed for an individual boring head and is not a recommended parameter. Refer to page B10-N: 10 for recommended application-specific parameters. Factory technical assistance is available for your specific applications through our Application Engineering department.
ext: 7611 | email: appeng@alliedmachine.com

Kit Components

3E^{TECH} | Insert Form 20 | Diameter Range: 0.393" - 4.016" (10.00mm - 102.00mm)



Kit Components

Boring Head	Boring Bars		Insert Holders for Boring Head			Serrated Tool Body & Insert Holders			Service Keys	Kit No.
	Boring Bar Range	Part No.	Insert Holder Range	Part No.	Clamping Piece	Serrated Tool Body	Insert Holder Range	Part No.		
i	0.393 - 0.590	218059	1.141 - 1.614	236022	236020	236021	2.047 - 3.031	236026	115575 (s2.5)	104047
	0.590 - 0.787	081045	1.574 - 2.086	236024			2.992 - 4.016	236028	215403 (s4)	
	0.787 - 0.984	081046							215521 (s5)	
	0.984 - 1.181	081047							115590 (T7)	
m	10.00 - 15.00	218059	29.00 - 41.00	236022	236020	236021	52.00 - 77.00	236026	115575 (s2.5)	103047
	15.00 - 20.00	081045	40.00 - 53.00	236024			76.00 - 102.00	236028	215403 (s4)	
	20.00 - 25.00	081046							215521 (s5)	
	25.00 - 30.00	081047							115590 (T7)	

NOTE: Inserts sold separately

NOTE: 3E^{TECH} digital readout module sold separately



3E^{TECH} Digital Readout Module

	Part No.
i	563010
m	536010



NOTE: Imperial item pictured

NOTE: Adjustment accuracy of 0.0001" or 0.002mm on diameter

Key on B10-A:1

B10-N: 10-13

B10-A: 16

B10-F

B10: xii-xiii

i = Imperial (in)
m = Metric (mm)

Inserts sold separately

IMPORTANT: Max spindle speed refers to maximum possible speed for an individual boring head and is not a recommended parameter. Refer to page B10-N: 10 for recommended application-specific parameters. Factory technical assistance is available for your specific applications through our Application Engineering department.
ext: 7611 | email: appeng@alliedmachine.com

249 (248) Product Overview

249 (248) VERSATILE BORING

Compact design. Precision boring.

The Wohlhaupter® 249 (248) compact boring head allows for higher spindle speeds and achieves long-reach boring jobs. Its cylindrical shank provides variable length adjustments up to 10xD.

Test this *compact design* for finish machining today.

- Diameter range: 0.118" - 1.188" (3.00mm - 30.20mm)
- Length adjustment up to 10xD
- Coolant-through boring tool
- 0.0005" (0.01mm) adjust on diameter
- Max spindle speed: 20,000 RPM



IMPORTANT: Max spindle speed refers to maximum possible speed for an individual boring head and is not a recommended parameter. Refer to page B10-N: 10 for recommended application-specific parameters. Factory technical assistance is available for your specific applications through our Application Engineering department.
ext: 7611 | email: appeng@alliedmachine.com



249 (248) Head



Insert Holder
Ø 0.623" - 1.181"
(Ø 15.9mm - 30.2mm)



Adapter



Adapter



Boring Bar
Ø 0.146" - 0.630"
(Ø 3.7mm - 16mm)

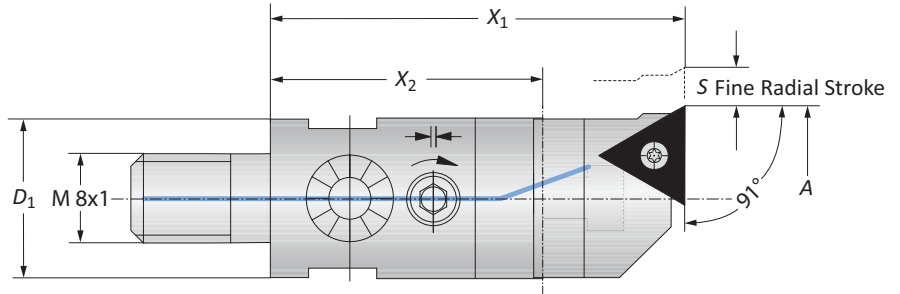


Mini Boring Bar
Ø 0.118" - 0.236"
(Ø 3mm - 6mm)

OPERATION **VERSATILITY**
from **0.118"** to **1.188"** (3mm to 30.2mm)

Boring Heads

Diameter Range: 0.625" - 1.189" (15.90mm - 30.20mm)



Boring Connection	Boring Range	Boring Head					Weight	Inset Form	Part No.	
		A	X ₁	X ₂	D ₁	S			Inset Holder	Boring Head
i	M 8 x 1.0	0.625 - 0.791	1.654	1.024	0.591	0.025	0.132 (lbs)	20*	248051	249001
	M 8 x 1.0	0.625 - 0.791	1.654	1.024	0.591	0.055	0.132 (lbs)	101*	248054	249001
	M 8 x 1.0	0.783 - 0.976	1.811	1.181	0.709	0.071	0.198 (lbs)	20*	248052	249002
	M 8 x 1.0	0.783 - 0.976	1.811	1.181	0.709	0.071	0.198 (lbs)	101*	248055	249002
	M 8 x 1.0	0.965 - 1.189	1.811	1.181	0.906	0.091	0.287 (lbs)	20*	248053	249003
	M 8 x 1.0	0.965 - 1.189	1.811	1.181	0.906	0.091	0.287 (lbs)	101*	248056	249003
m	M 8 x 1.0	15.90 - 20.10	42.00	26.00	15.00	1.40	0.06 (kg)	20*	248051	248001
	M 8 x 1.0	15.90 - 20.10	42.00	26.00	15.00	1.40	0.06 (kg)	101*	248054	248001
	M 8 x 1.0	19.90 - 24.80	46.00	30.00	18.00	1.80	0.09 (kg)	20*	248052	248002
	M 8 x 1.0	19.90 - 24.80	46.00	30.00	18.00	1.80	0.09 (kg)	101*	248055	248002
	M 8 x 1.0	24.50 - 30.20	46.00	30.00	23.00	2.30	0.13 (kg)	20*	248053	248003
	M 8 x 1.0	24.50 - 30.20	46.00	30.00	23.00	2.30	0.13 (kg)	101*	248056	248003

*Not suitable for indexable inserts with a radius of 0.031" (0.80mm)

B10-N: 10-13

B10-A: 33

B10: xii-xiii

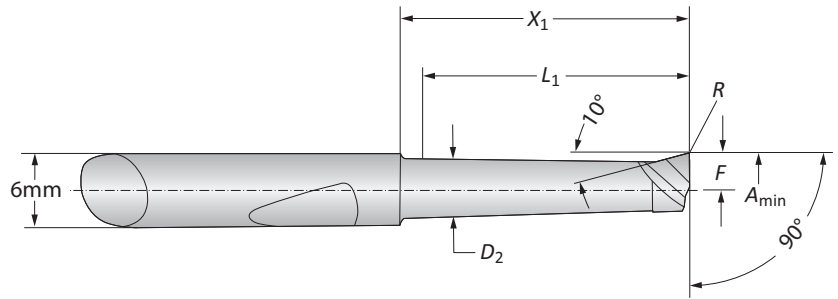
Key on B10-A: 1

i = Imperial (in)
m = Metric (mm)

IMPORTANT: Max spindle speed refers to maximum possible speed for an individual boring head and is not a recommended parameter. Refer to page B10-N: 10 for recommended application-specific parameters. Factory technical assistance is available for your specific applications through our Application Engineering department.
ext: 7611 | email: appeng@alliedmachine.com

Mini Boring Bars

WHC05 | WHW04 | WBN150 | Diameter Range: 0.118" - 0.236" (3.00mm - 6.00mm)

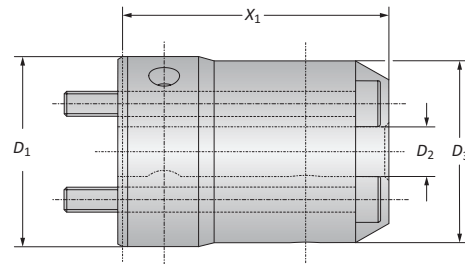


Mini Boring Bars

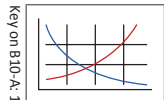
	Boring Range		Boring Bar				Part No.		
	A_{min}	D_2	X_1	L_1	F	R	Coated Carbide	Uncoated Carbide	CBN
i	0.118	0.102	0.453	0.394	0.055	0.004	081306HC05	-	081322BN150
	0.118	0.102	0.650	0.591	0.055	0.004	081307HC05	081307HW04	-
	0.157	0.142	0.472	0.394	0.075	0.008	081308HC05	-	081317BN150
	0.157	0.142	0.669	0.591	0.075	0.008	081309HC05	-	081341BN150
	0.157	0.142	0.866	0.787	0.075	0.008	081310HC05	081310HW04	-
	0.197	0.181	0.472	0.394	0.094	0.008	081311HC05	-	081318BN150
	0.197	0.181	0.866	0.787	0.094	0.008	081312HC05	-	081319BN150
	0.197	0.181	1.260	1.181	0.094	0.008	081313HC05	081313HW04	-
	0.236	0.220	0.866	0.787	0.114	0.008	081314HC05	-	081320BN150
	0.236	0.220	1.260	1.181	0.114	0.008	081315HC05	-	081321BN150
	0.236	0.220	1.654	1.575	0.114	0.008	081316HC05	081316HW04	-
m	3.00	2.60	11.50	10.00	1.40	0.10	081306HC05	-	081322BN150
	3.00	2.60	16.50	15.00	1.40	0.10	081307HC05	081307HW04	-
	4.00	3.60	12.00	10.00	1.90	0.20	081308HC05	-	081317BN150
	4.00	3.60	17.00	15.00	1.90	0.20	081309HC05	-	081341BN150
	4.00	3.60	22.00	20.00	1.90	0.20	081310HC05	081310HW04	-
	5.00	4.60	12.00	10.00	2.40	0.20	081311HC05	-	081318BN150
	5.00	4.60	22.00	20.00	2.40	0.20	081312HC05	-	081319BN150
	5.00	4.60	32.00	30.00	2.40	0.20	081313HC05	081313HW04	-
	6.00	5.60	22.00	20.00	2.90	0.20	081314HC05	-	081320BN150
	6.00	5.60	32.00	30.00	2.90	0.20	081315HC05	-	081321BN150
	6.00	5.60	42.00	40.00	2.90	0.20	081316HC05	081316HW04	-

Adapter

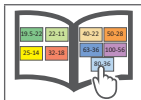
	Adapter				Part No.
	X_1	D_1	D_2	D_3	
m	32.00	23.00	6.00	22.00	248071



B10-N: 10-13



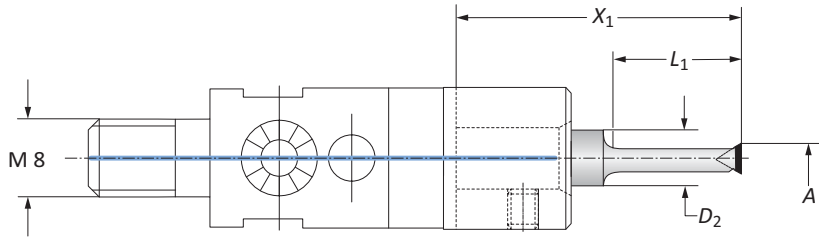
B10: xii-xiii



i = Imperial (in)
m = Metric (mm)

Boring Bars

Diameter Range: 0.146" - 0.630" (3.70mm - 16.00mm)



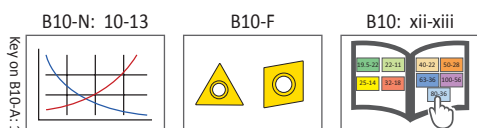
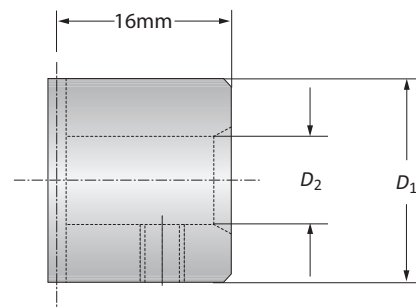
Boring Bars

Boring Range		Boring Bar			Insert Form	Part No.
A	D ₂	X ₁	L ₁			
0.146 - 0.197	-	2.618	0.709	325*	218074	
0.193 - 0.236	-	2.835	0.906	47*	218075	
0.232 - 0.315	-	2.874	0.984	211*	218076	
0.311 - 0.394	-	3.071	1.181	211*	218077	
0.390 - 0.472	-	3.268	1.378	20*	218079	
0.390 - 0.472	-	3.268	1.378	101*	218082	
0.469 - 0.551	-	3.661	1.772	20*	218080	
0.469 - 0.551	-	3.661	1.772	101*	218083	
0.547 - 0.630	-	3.858	1.968	20*	218081	
0.547 - 0.630	-	3.858	1.968	101*	218084	
<hr/>						
3.70 - 5.00	8.00	66.50	18.00	325*	218074	
4.90 - 6.00	8.00	72.00	23.00	47*	218075	
5.90 - 8.00	8.00	73.00	25.00	211*	218076	
7.90 - 10.00	8.00	78.00	30.00	211*	218077	
9.90 - 12.00	8.00	83.00	35.00	20*	218079	
9.90 - 12.00	8.00	83.00	35.00	101*	218082	
11.90 - 14.00	10.00	93.00	45.00	20*	218080	
11.90 - 14.00	10.00	93.00	45.00	101*	218083	
13.90 - 16.00	10.00	98.00	50.00	20*	218081	
13.90 - 16.00	10.00	98.00	50.00	101*	218084	

*Not suitable for indexable inserts with a radius of 0.031" (0.80mm)

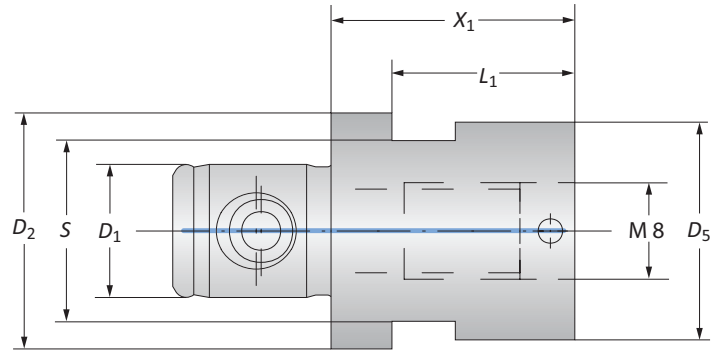
Adapters

Adapter		Part No.
D ₁	D ₂	
0.709	-	248063
0.906	-	248064
0.906	-	248065
<hr/>		
18.00	8.00	248063
23.00	8.00	248064
23.00	10.00	248065



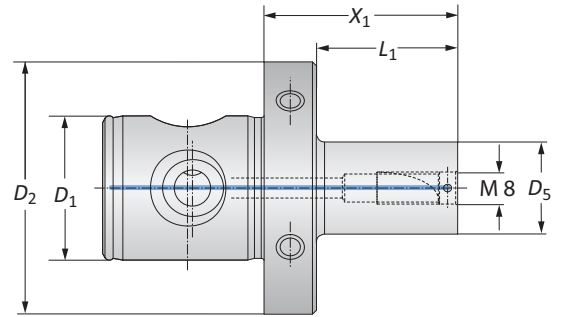
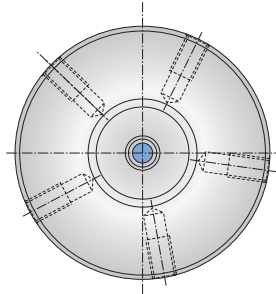
i = Imperial (in)
m = Metric (mm)
Inserts sold separately

Adapters



Adapters

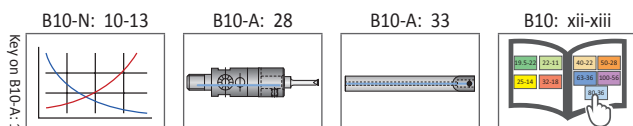
	MVS Connection		Adapter				Weight	Service Key	Part No.
	D ₂ D ₁	Boring Connection	X ₁	L ₁	S	D ₅			
i	19.5 - 11	M8	0.787	0.590	15/P	0.708	0.110 (lbs)	15mm / P	219168
	23 - 11	M8	0.787	-	19/P	0.905	0.154 (lbs)	19mm / P	219169
m	19.5 - 11	M8	20.00	15.00	15/P	18.00	0.05 (kg)	15mm / P	219168
	23 - 11	M8	20.00	-	19/P	23.00	0.07 (kg)	19mm / P	219169



Adapters

	MVS Connection		Adapter			Weight	Thread Precision	Part No.
	D ₂ D ₁	Boring Connection	X ₁	L ₁	D ₅			
i	50 - 28	M8	1.259	0.748	0.590	0.771 (lbs)	M6 x 10	219185
	50 - 28	M8	1.890	1.377	0.708	0.881 (lbs)	M6 x 10	219176
	50 - 28	M8	1.890	1.377	0.905	0.992 (lbs)	M6 x 10	219177
m	50 - 28	M8	32.00	19.00	15.00	0.35 (kg)	M6 x 10	219185
	50 - 28	M8	48.00	35.00	18.00	0.40 (kg)	M6 x 10	219176
	50 - 28	M8	48.00	35.00	23.00	0.45 (kg)	M6 x 10	219177

NOTE: Balance refers to a specific residual imbalance of ≤ 10 g mm/kg

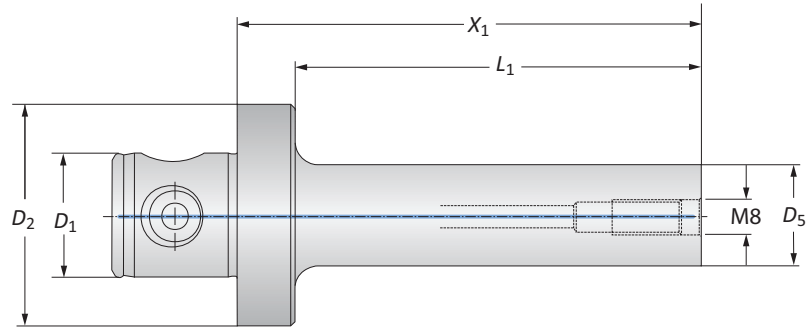


i = Imperial (in)
m = Metric (mm)

A
B
C
D
E
F
G
H
I
J
K
L
M
N
INDEX

Adapters

Heavy Metal



MVS Connection	Boring Connection	Adapter			Weight	Part No.	
		D_2 D_1	X_1	L_1			D_5
i	M8	50 - 28	2.677	2.165	0.590	1.763 (lbs)	248147
	M8	50 - 28	3.307	2.795	0.748	2.204 (lbs)	248148
	M8	50 - 28	4.094	3.582	0.905	2.866 (lbs)	248149
m	M8	50 - 28	68.00	55.00	15.00	0.80 (kg)	248147
	M8	50 - 28	84.00	71.00	19.00	1.00 (kg)	248148
	M8	50 - 28	104.00	91.00	23.00	1.30 (kg)	248149

Key on B10-A: 1

B10-N: 10-13

B10-A: 28

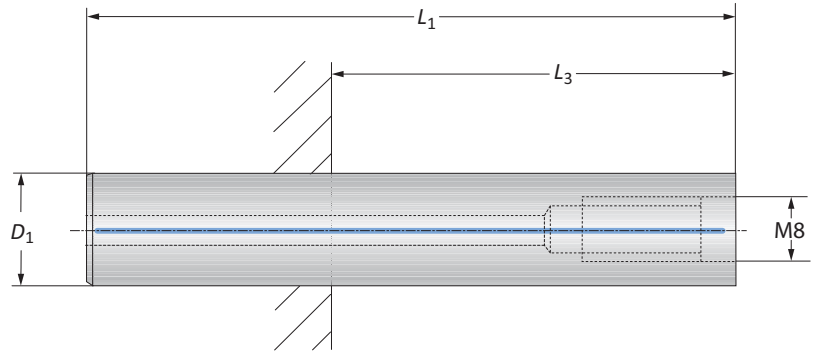
B10-A: 33

B10: xii-xiii

i = Imperial (in)
m = Metric (mm)

Shanks

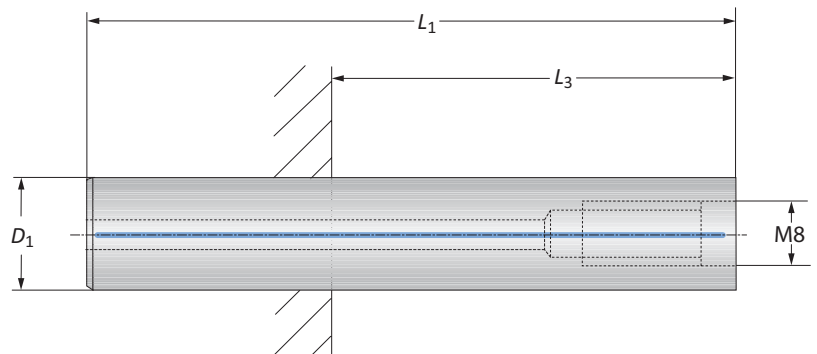
Steel | Carbide



Steel Shanks

Connection	Shank			L_3 min*			Weight	Part No.
	D_1	L_1	L_3 max*	SK 40+50	HSK-A 63	HSK-A 100		
i	M8	0.591	3.346	1.456	-	-	0.220 (lbs)	248136
	M8	0.709	3.937	2.047	-	0.196	0.440 (lbs)	248137
	M8	0.906	4.606	2.716	-	0.866	0.881 (lbs)	248138
m	M8	15.00	85.00	37.00	-	-	0.10 (kg)	248136
	M8	18.00	100.00	52.00	-	5.00	0.20 (kg)	248137
	M8	23.00	117.00	69.00	-	22.00	0.40 (kg)	248138

* L_3 dimensions apply to collet chucks



Carbide Shanks

Connection	Shank			L_3 min*				Weight	Part No.	
	D_1	L_1	L_3 max*	SK 40	SK 50	HSK-A 63	HSK-A 100			
i	M8	0.591	5.118	3.228	0.787	0.787	1.377	1.653	0.661 (lbs)	248142
	M8	0.709	6.102	4.212	1.535	0.826	2.362	2.637	1.322 (lbs)	248143
	M8	0.906	7.086	5.196	2.519	1.811	3.346	3.622	2.425 (lbs)	248144
	M8	0.906	9.527	7.637	4.960	4.251	5.787	6.062	3.086 (lbs)	248145
m	M8	15.00	130.00	82.00	20.00	20.00	35.00	42.00	0.30 (kg)	248142
	M8	18.00	155.00	107.00	39.00	21.00	60.00	67.00	0.60 (kg)	248143
	M8	23.00	180.00	132.00	64.00	46.00	85.00	92.00	1.10 (kg)	248144
	M8	23.00	242.00	194.00	126.00	108.00	147.00	154.00	1.40 (kg)	248145

* L_3 dimensions apply to collet chucks

B10-N: 10-13

B10-A: 28

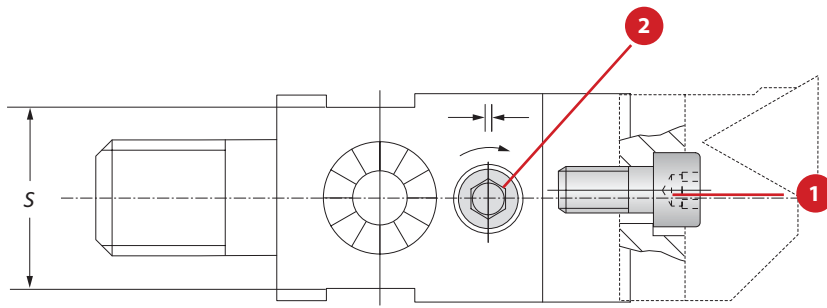
B10: xii-xiii

Key on B10-A-1

i = Imperial (in)
m = Metric (mm)

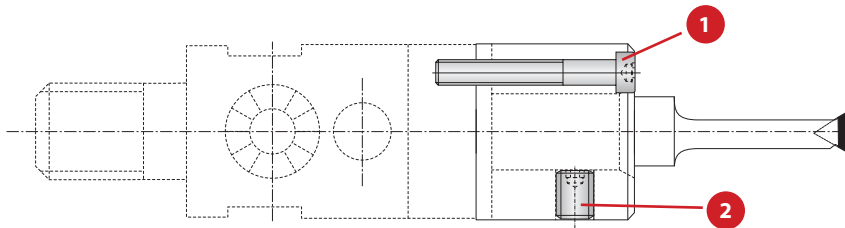
Accessories

Clamping Elements



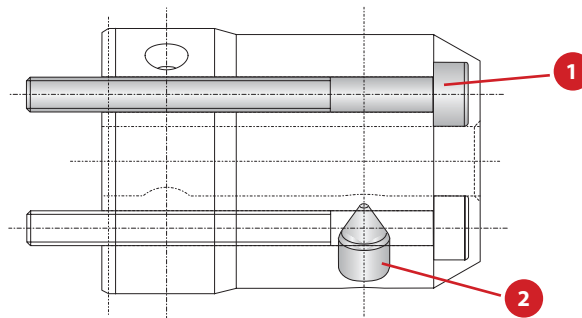
Clamping Elements for Boring Heads

Boring Head	Service Key S / Type	1 Cap Screw		2 Set Screw	
		Part No.	Service Key	Part No.	Service Key
249001	13mm / P	315631	s3 / A	315629	s2 / A
249002	15mm / P	315631	s3 / A	315684	s2 / A
249003	19mm / P	315631	s3 / A	315687	s2 / A
248001	13mm / P	315631	s3 / A	315629	s2 / A
248002	15mm / P	315631	s3 / A	315684	s2 / A
248003	19mm / P	315631	s3 / A	315687	s2 / A



Clamping Elements for Adapters

Boring Head	1 Cap Screw		2 Set Screw	
	Part No.	Service Key	Part No.	Service Key
248063	315801	S 2.5 / A	115136	S 2.5 / A
248064	315801	S 2.5 / A	031141	S 2.5 / A
248065	315801	S 2.5 / A	031141	S 2.5 / A



Screws

Boring Head	1 Cap Screw Part No.	Service Key	2 Set Screw Part No.	Service Key
248063	515166	S 2.5 / A	415244	S 3 / A

i = Imperial (in)
m = Metric (mm)

Notes

A large grid area for taking notes, consisting of approximately 30 columns and 35 rows of small squares.

A vertical index on the right side of the page with letters A through N, each on a separate gray background block.

INDEX

PrimeBore Product Overview

PrimeBore VERSATILE BORING

Advancing versatile technology.

With over 30 years of development, the Wohlhaupter® PrimeBore boring head offers versatility and precision. The PrimeBore head can bore multiple hole sizes ranging from 0.118" - 8.189" (3mm - 208mm) with our broad range of compatible boring bars.

Complete your boring job with *technology that continues to advance.*

- Diameter range: 0.118" - 8.189" (3.00mm - 208.00mm)
- Ease the stress of working on different day-to-day projects with boring kits
- 0.0001" (0.002mm) adjust on diameter
- Economical precision and versatility
- Max spindle speed: 12,000 RPM
- Coolant through

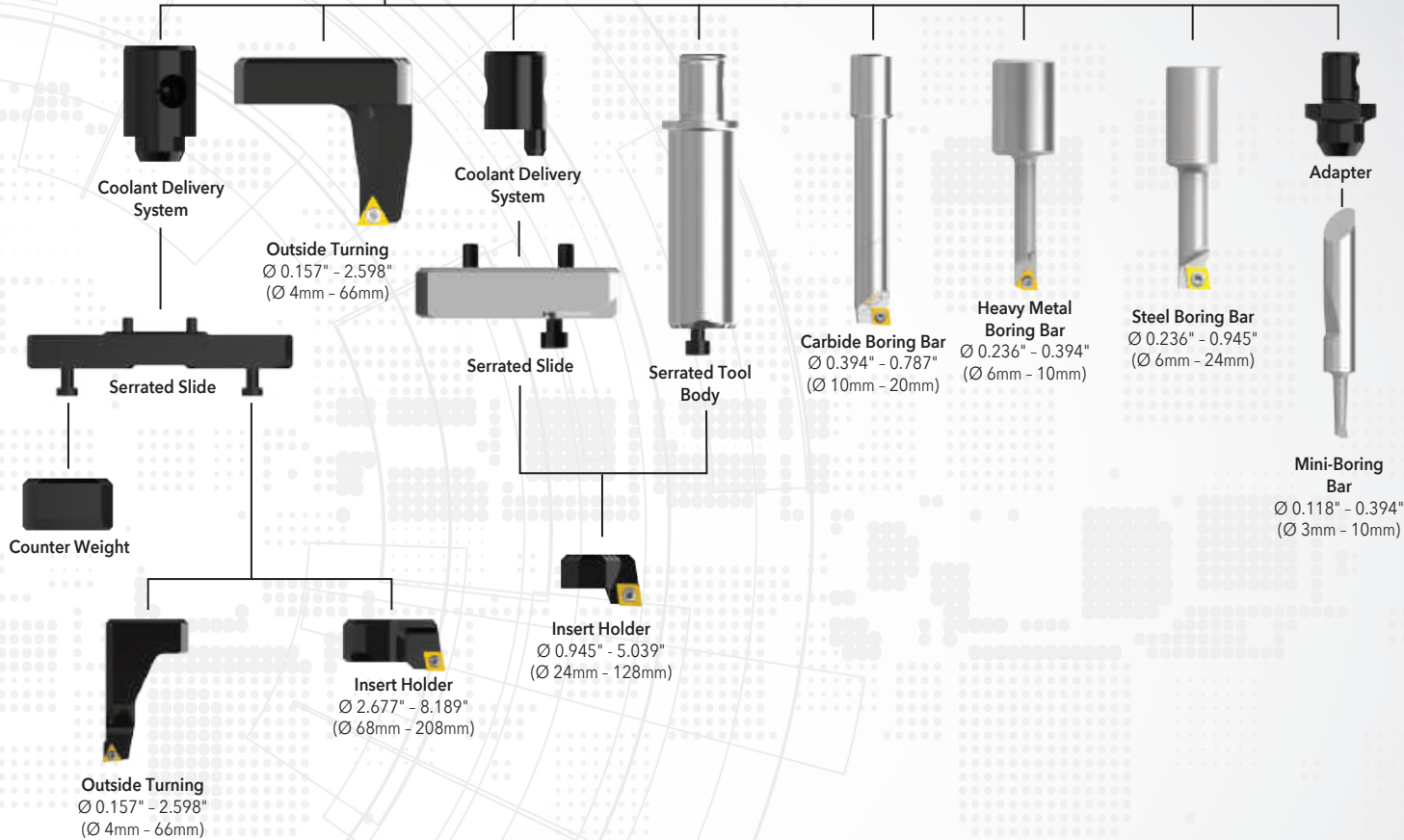


IMPORTANT: Max spindle speed refers to maximum possible speed for an individual boring head and is not a recommended parameter. Refer to page B10-N: 10 for recommended application-specific parameters. Factory technical assistance is available for your specific applications through our Application Engineering department.
ext: 7611 | email: appeng@alliedmachine.com

PRIME BORE



PrimeBore Head



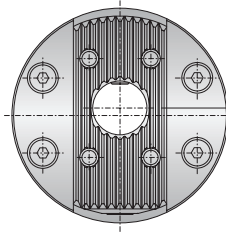
OPERATION **VERSATILITY**

from **0.118"** to **8.189"** (3mm to **208mm**)
plus outside turning

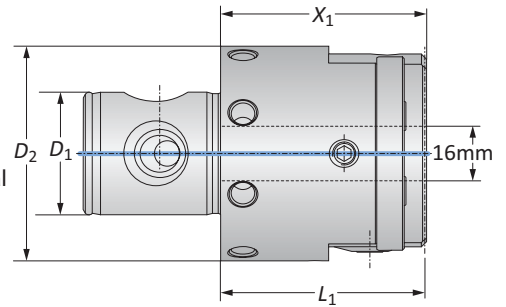


Boring Heads

Diameter Range: 0.118" - 8.189" (3.00mm - 208.00mm)

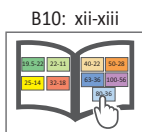
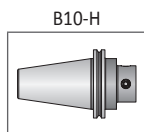
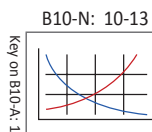


+4.5
-0.1
Fine Radial Stroke



Connection	Boring Head				Weight	Part No.
	D_2 D_1	Boring Range	X_1	L_1		
i	63 - 36	0.118 - 8.189	2.362	2.343	2.866 (lbs)	451001
m	63 - 36	3.00 - 208.00	60.00	59.50	1.30 (kg)	450001

NOTE: PrimeBore heads are compatible with Kaiser® connection

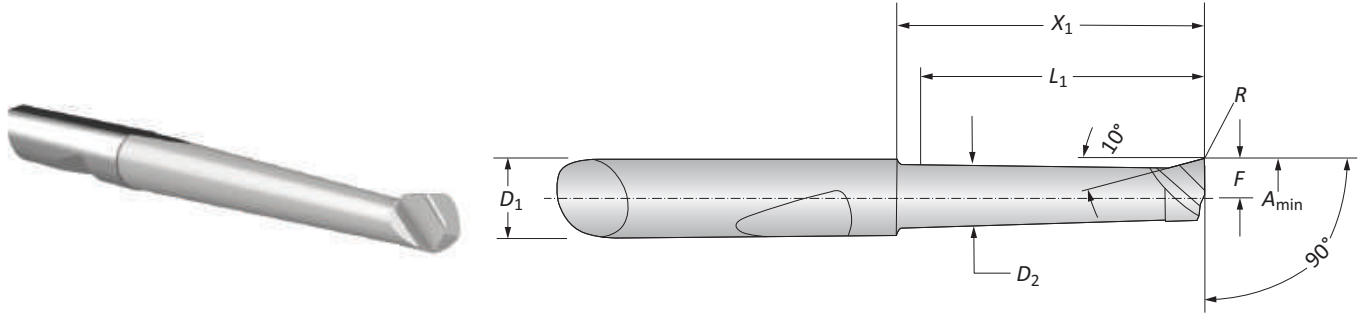


i = Imperial (in)
m = Metric (mm)

IMPORTANT: Max spindle speed refers to maximum possible speed for an individual boring head and is not a recommended parameter. Refer to page B10-N: 10 for recommended application-specific parameters. Factory technical assistance is available for your specific applications through our Application Engineering department.
ext: 7611 | email: appeng@alliedmachine.com

Mini Boring Bars

WHC05 | WHW04 | WBN150 | Diameter Range: 0.118" - 0.394" (3.00mm - 10.00mm)



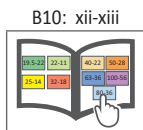
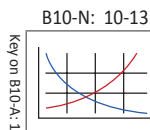
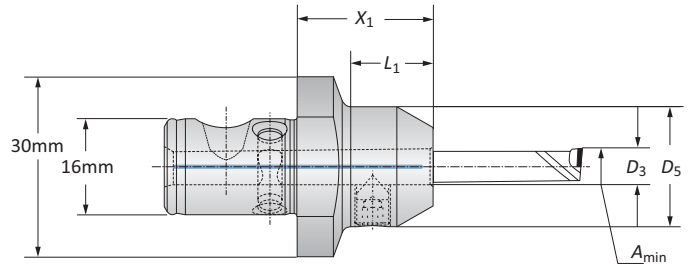
Mini Boring Bars

Boring Range	Boring Bar						Part No.			
	A_{min}	D_1	D_2	X_1	L_1	F	R	Coated Carbide	Uncoated Carbide	CBN
i	0.118	-	0.102	0.453	0.394	0.055	0.004	081306HC05	-	081322BN150
	0.118	-	0.102	0.650	0.590	0.055	0.004	081307HC05	081307HW04	-
	0.157	-	0.142	0.472	0.394	0.075	0.008	081308HC05	-	081317BN150
	0.157	-	0.142	0.669	0.590	0.075	0.008	081309HC05	-	081341BN150
	0.157	-	0.142	0.866	0.787	0.075	0.008	081310HC05	081310HW04	-
	0.197	-	0.181	0.472	0.394	0.094	0.008	081311HC05	-	081318BN150
	0.197	-	0.181	0.866	0.787	0.094	0.008	081312HC05	-	081319BN150
	0.197	-	0.181	1.260	1.181	0.094	0.008	081313HC05	081313HW04	-
	0.236	-	0.220	0.866	0.787	0.114	0.008	081314HC05	-	081320BN150
	0.236	-	0.220	1.260	0.181	0.114	0.008	081315HC05	-	081321BN150
	0.236	-	0.220	1.654	1.575	0.114	0.008	081316HC05	081316HW04	-
	0.315	-	0.299	0.984	0.906	0.154	0.008	081323HC05	-	-
	0.315	-	0.299	1.968	1.890	0.154	0.008	081324HC05	-	-
	m	3.00	6.00	2.60	11.50	10.00	1.40	0.10	081306HC05	-
3.00		6.00	2.60	16.50	15.00	1.40	0.10	081307HC05	081307HW04	-
4.00		6.00	3.60	12.00	10.00	1.90	0.20	081308HC05	-	081317BN150
4.00		6.00	3.60	17.00	15.00	1.90	0.20	081309HC05	-	081341BN150
4.00		6.00	3.60	22.00	20.00	1.90	0.20	081310HC05	081310HW04	-
5.00		6.00	4.60	12.00	10.00	2.40	0.20	081311HC05	-	081318BN150
5.00		6.00	4.60	22.00	20.00	2.40	0.20	081312HC05	-	081319BN150
5.00		6.00	4.60	32.00	30.00	2.40	0.20	081313HC05	081313HW04	-
6.00		6.00	5.60	22.00	20.00	2.90	0.20	081314HC05	-	081320BN150
6.00		6.00	5.60	32.00	30.00	2.90	0.20	081315HC05	-	081321BN150
6.00		6.00	5.60	42.00	40.00	2.90	0.20	081316HC05	081316HW04	-
8.00		8.00	7.60	25.00	23.00	3.90	0.20	081323HC05	-	-
8.00		8.00	7.60	50.00	48.00	3.90	0.20	081324HC05	-	-



Adapters

	Adapter				Part No.
	D_3	D_5	X_1	L_1	
m	6.00	20.00	22.50	14.00	319010
	8.00	22.00	22.50	14.00	236071



i = Imperial (in)
m = Metric (mm)

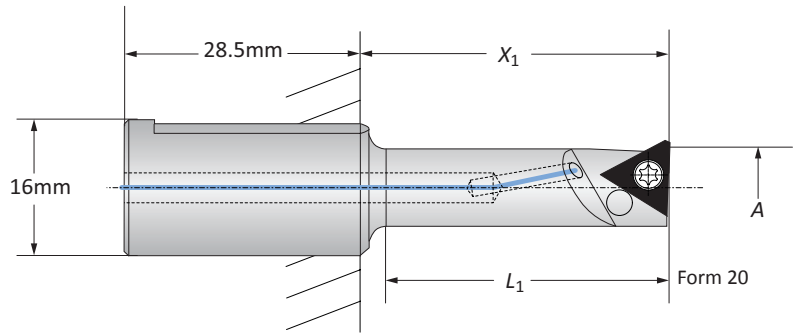
A
B
C
D
E
F
G
H
I
J
K
L
M
N
INDEX

Boring Bars

Steel | Heavy Metal



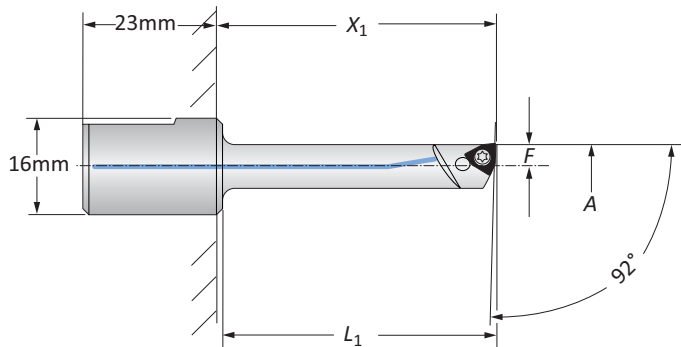
Form 101



Steel Boring Bars | Diameter Range: 0.236" - 0.945" (6.00mm - 24.00mm)

	Boring Range		Boring Bar		Weight	Insert Form	Part No.
	A	X ₁	L ₁				
i	0.236 - 0.394	0.866 - 1.260	0.787		0.090 (lbs)	211	450026
	0.394 - 0.630	1.378 - 1.772	1.299		0.130 (lbs)	101*	450027
	0.394 - 0.630	1.378 - 1.772	1.299		0.130 (lbs)	20*	450038
	0.630 - 0.945	2.362 - 2.756	2.283		0.220 (lbs)	101*	450028
	0.630 - 0.945	2.362 - 2.756	2.283		0.220 (lbs)	20*	450039
m	6.00 - 10.00	22.00 - 32.00	20.00		0.04 (kg)	211	450026
	10.00 - 16.00	35.00 - 45.00	33.00		0.06 (kg)	101*	450027
	10.00 - 16.00	35.00 - 45.00	33.00		0.06 (kg)	20*	450038
	16.00 - 24.00	60.00 - 70.00	58.00		0.10 (kg)	101*	450028
	16.00 - 24.00	60.00 - 70.00	58.00		0.10 (kg)	20*	450039

*Not suitable for indexable inserts with a radius of 0.031" (0.80mm)



Heavy Metal Boring Bars | Diameter Range: 0.236" - 0.394" (6.00mm - 10.00mm)

	Boring Range		Boring Bar		Weight	Insert Form	Part No.
	A	X ₁	L ₁	F			
i	0.236 - 0.315	1.260	1.142		0.176 (lbs)	211	081055
	0.315 - 0.394	1.772	1.654		0.198 (lbs)	211	218072
m	6.00 - 8.00	32.00	29.00		0.08 (kg)	211	081056
	8.00 - 10.00	45.00	42.00		0.09 (kg)	211	218072

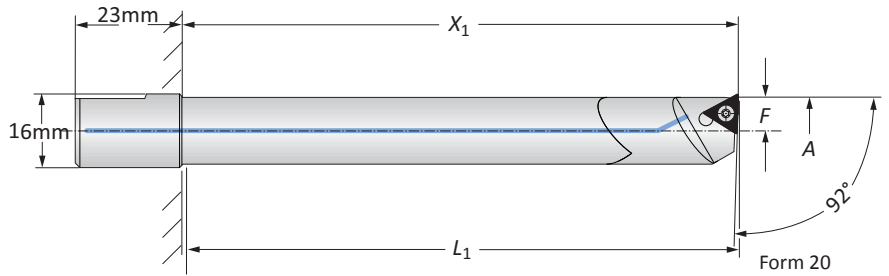
B10: 10-13 B10-F B10: xii-xiii

Key on B10-A:1

i = Imperial (in)
m = Metric (mm)
Inserts sold separately

Boring Bars

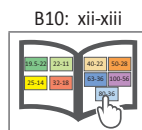
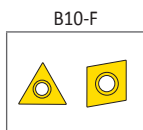
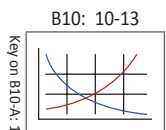
Carbide | Diameter Range: 0.393" - 0.787" (10.00mm - 20.00mm)



Carbide Boring Bars

	Boring Range		Boring Bar				Insert Form	Part No.	Insert Form	Part No.
	A	X ₁	L ₁	F	Weight					
i	0.394 - 0.472	2.165	2.047	0.189	0.154 (lbs)	101*	218042	20*	218037	
	0.394 - 0.472	2.953	2.835	0.189	0.198 (lbs)	101*	218032	20*	218029	
	0.472 - 0.551	2.756	2.638	0.228	0.220 (lbs)	101*	218043	20*	218038	
	0.472 - 0.551	3.543	3.425	0.228	0.331 (lbs)	101*	218033	20*	218030	
	0.551 - 0.630	2.953	2.835	0.268	0.353 (lbs)	101*	218044	20*	218039	
	0.551 - 0.630	3.937	3.819	0.268	0.441 (lbs)	101*	218045	20*	218040	
	0.630 - 0.787	3.543	3.425	0.307	0.573 (lbs)	101*	218046	20*	218041	
	0.630 - 0.787	4.724	4.606	0.307	0.728 (lbs)	101*	218034	20*	218031	
m	10.00 - 12.00	55.00	52.00	4.80	0.07 (kg)	101*	218042	20*	218037	
	10.00 - 12.00	75.00	72.00	4.80	0.09 (kg)	101*	218032	20*	218029	
	12.00 - 14.00	70.00	67.00	5.80	0.10 (kg)	101*	218043	20*	218038	
	12.00 - 14.00	90.00	87.00	5.80	0.15 (kg)	101*	218033	20*	218030	
	14.00 - 16.00	75.00	72.00	6.80	0.16 (kg)	101*	218044	20*	218039	
	14.00 - 16.00	100.00	97.00	6.80	0.20 (kg)	101*	218045	20*	218040	
	16.00 - 20.00	90.00	87.00	7.80	0.26 (kg)	101*	218046	20*	218041	
	16.00 - 20.00	120.00	117.00	7.80	0.33 (kg)	101*	218034	20*	218031	

*Not suitable for indexable inserts with a radius of 0.031" (0.80mm)

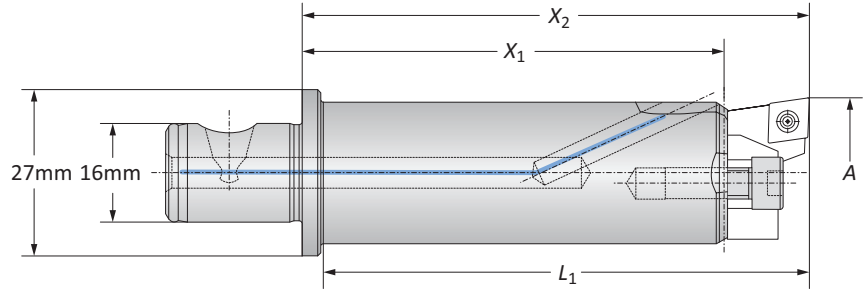


i = Imperial (in)
m = Metric (mm)
Inserts sold separately

A
B
C
D
E
F
G
H
I
J
K
L
M
N
INDEX

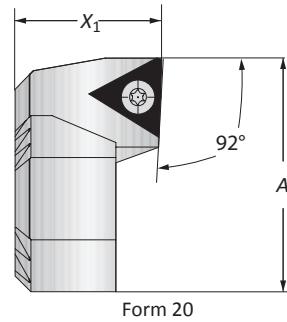
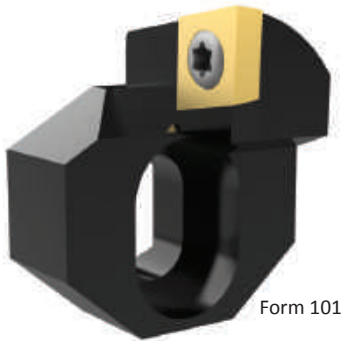
Serrated Tool Bodies | Insert Holders

Diameter Range: 0.945" - 2.559" (24.00mm - 65.00mm)



Serrated Tool Bodies

	Boring Range	Serrated Tool Body			Weight	Part No.
	A	X ₁	X ₂	L ₁		
i	0.945 - 2.559	2.667	3.228	3.110	0.441 (lbs)	450021
m	24.00 - 65.00	68.00	82.00	79.00	0.20 (kg)	450021



Insert Holders

	Boring Range	Insert Holder	Weight	Insert Form	Part No.
	A	X ₁			
i	0.945 - 1.575	0.551	0.044 (lbs)	101*	450022
	0.945 - 1.575	0.551	0.044 (lbs)	20*	450040
	1.575 - 2.559	0.551	0.066 (lbs)	101*	450023
	1.575 - 2.559	0.551	0.066 (lbs)	20*	450041
m	24.00 - 40.00	14.00	0.02 (kg)	101*	450022
	24.00 - 40.00	14.00	0.02 (kg)	20*	450040
	40.00 - 65.00	14.00	0.03 (kg)	101*	450023
	40.00 - 65.00	14.00	0.03 (kg)	20*	450041

*Not suitable for indexable inserts with a radius of 0.031" (0.80mm)

Key on B10-A: 1

B10-N: 10-13

B10-A: 47

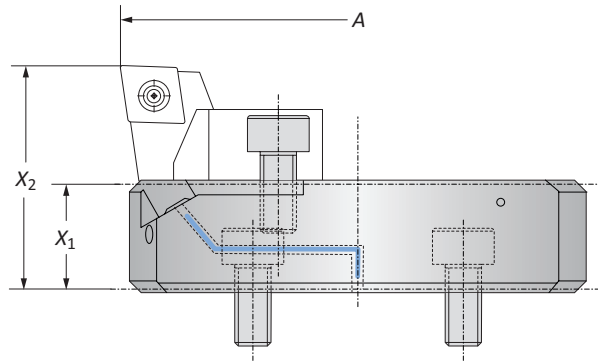
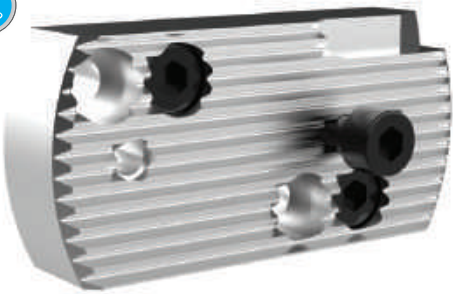
B10-F

B10: xii-xiii

i = Imperial (in)
m = Metric (mm)
 Inserts sold separately

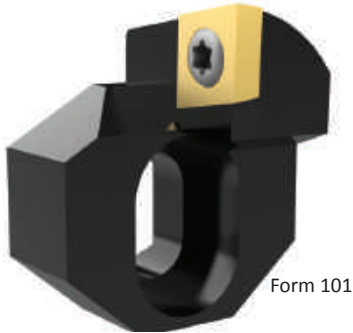
Serrated Slides | Insert Holders

Diameter Range: 2.559" - 5.039" (65.00mm - 128.00mm)

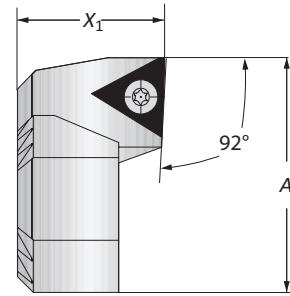


Serrated Slides

	Boring Range	Serrated Slide		Weight	Part No.
	A	X ₁	X ₂		
i	2.559 - 5.039	0.571	1.161	0.176 (lbs)	450024
m	65.00 - 128.00	14.50	29.50	0.08 (kg)	450024



Form 101



Form 20

Insert Holders

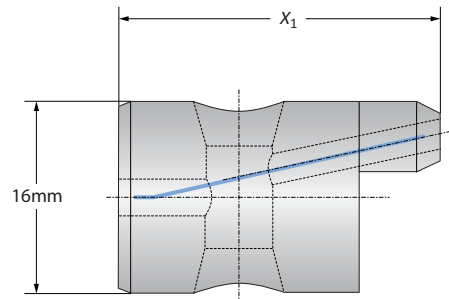
	Boring Range	Insert Holder	Weight	Insert Form	Part No.
	A	X ₁			
i	2.559 - 5.039	0.551	0.066 (lbs)	101*	450023
	2.559 - 5.039	0.551	0.066 (lbs)	20*	450041
m	65.00 - 128.00	14.00	0.03 (kg)	101*	450023
	65.00 - 128.00	14.00	0.03 (kg)	20*	450041

*Not suitable for indexable inserts with a radius of 0.031" (0.80mm)

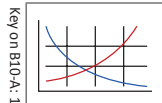


Alu-Line Coolant Delivery Sections

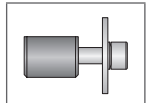
	Coolant Delivery Section		Part No.
	X ₁	Weight	
m	26.75	0.01 (kg)	450125



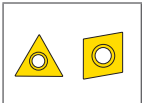
B10-N: 10-13



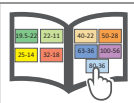
B10-A: 47



B10-F



B10: xii-xiii

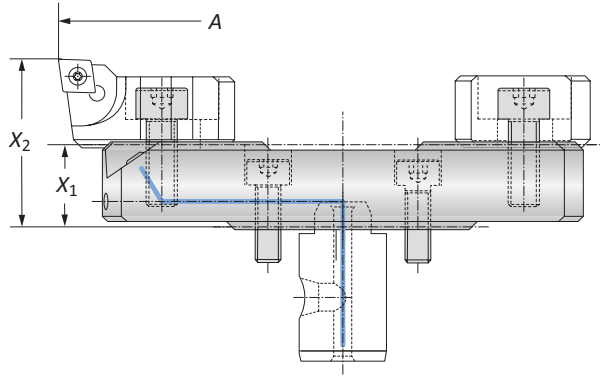


i = Imperial (in)
m = Metric (mm)
 Inserts sold separately

A
B
C
D
E
F
G
H
I
J
K
L
M
N
INDEX

Alu-Line Serrated Slides | Insert Holders

Diameter Range: 2.667" - 8.189" (68.00mm - 208.00mm)

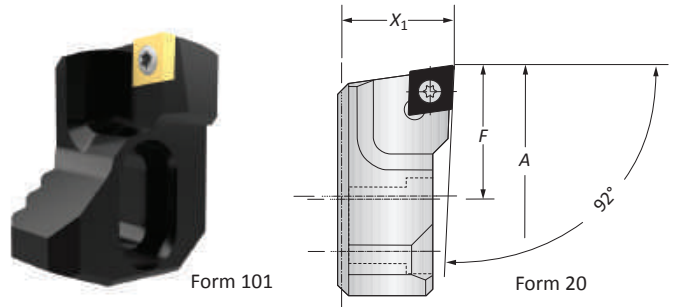


Alu-Line Serrated Slides

	Boring Range		Serrated Slide		Weight	Part No.
	A		X ₁	X ₂		
i	2.667 - 3.780		0.630	1.280	0.220 (lbs)	501054
	3.780 - 4.881		0.630	1.280	0.220 (lbs)	501055
	4.881 - 5.984		0.630	1.280	0.441 (lbs)	501056
	5.984 - 7.088		0.866	1.516	0.551 (lbs)	501058
	7.088 - 8.189		0.866	1.516	0.661 (lbs)	501059
m	68.00 - 96.00		16.00	32.50	0.10 (kg)	501054
	96.00 - 124.00		16.00	32.50	0.10 (kg)	501055
	124.00 - 152.00		16.00	32.50	0.20 (kg)	501056
	152.00 - 180.00		22.00	38.50	0.25 (kg)	501058
	180.00 - 208.00		22.00	38.50	0.30 (kg)	501059

Insert Holders

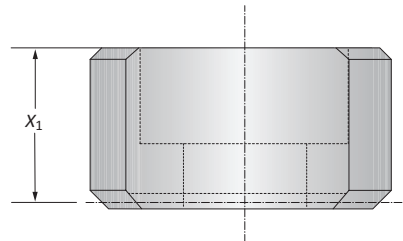
	Boring Range	Weight	Insert Form	Part No.
i	2.677 - 8.189	0.110 (lbs)	101	502064
	2.677 - 8.189	0.110 (lbs)	20	502069
m	68.00 - 208.00	0.05 (kg)	101	502064
	68.00 - 208.00	0.05 (kg)	20	502069



NOTE: Other insert holders available upon request

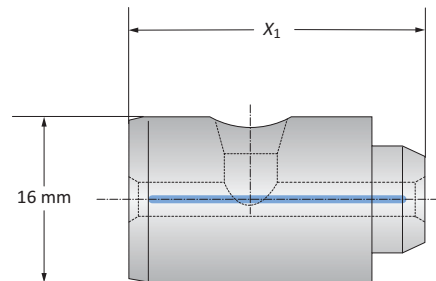
Counter Weights

	Counter Weights	Weight	Part No.
	X ₁		
i	0.528	0.110 (lbs)	502165
m	13.40	0.05 (kg)	502165



Alu-Line Coolant Delivery Sections

	Coolant Delivery Section	Weight	Part No.
	X ₁		
i	1.004	0.022 (lbs)	450137
m	25.50	0.01 (kg)	450137



B10-N: 10-13

B10-A: 47

B10-F

B10: xii-xiii

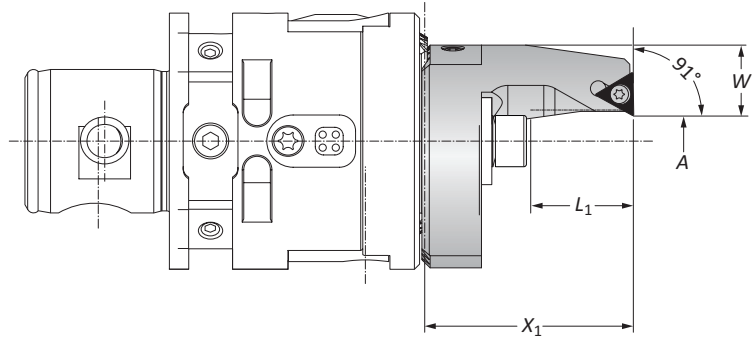
Key on B10-A: 1

i = Imperial (in)
m = Metric (mm)
Inserts sold separately

A
B
C
D
E
F
G
H
I
J
K
L
M
N
INDEX

Outside Turning Insert Holders for Boring Heads

Diameter Range: 0.157" - 2.598" (4.00mm - 66.00mm)

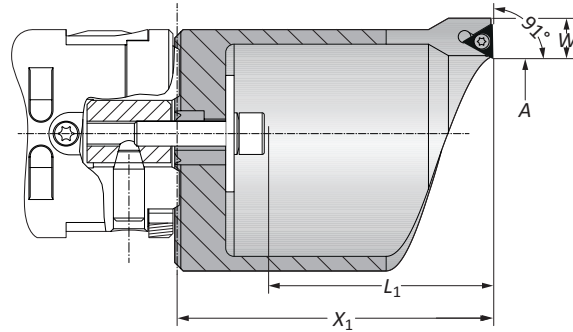


Type A Insert Holders | Diameter Range: 0.157" - 1.181" (4.00mm - 30.00mm)

	Boring Range		Insert Holder			Weight	Type	Insert Form	Part No.
	A	X ₁	L ₁	W					
i	0.157 - 0.689	3.543	0.787	0.653	0.220 (lbs)	A	20*	236081	
	0.650 - 1.181	3.937	1.181	0.437	0.220 (lbs)	A	20*	236082	
m	4.00 - 17.50	45.00	20.00	16.60	0.10 (kg)	A	20*	236081	
	16.50 - 30.00	52.50	30.00	11.10	0.10 (kg)	A	20*	236082	

NOTE: Clockwise and neutral execution

*Not suitable for indexable inserts with a radius of 0.031" (0.80mm)



Type B Insert Holders | Diameter Range: 1.142" - 2.598" (29.00mm - 66.00mm)

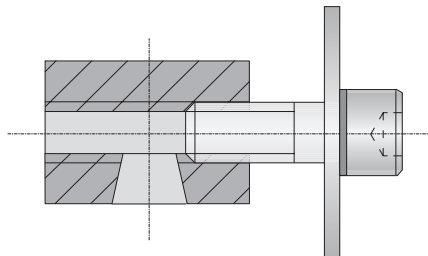
	Boring Range		Insert Holder			Weight	Type	Insert Form	Part No.
	A	X ₁	L ₁	W					
i	1.142 - 1.732	4.921	2.126	0.377	0.661 (lbs)	B	20*	236083	
	1.693 - 2.598	5.905	3.110	0.377	0.882 (lbs)	B	20*	236084	
m	29.00 - 44.00	63.50	54.00	9.60	0.30 (kg)	B	20*	236083	
	43.00 - 66.00	85.50	79.00	9.60	0.40 (kg)	B	20*	236084	

NOTE: Clockwise and neutral execution

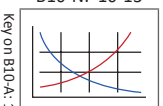
*Not suitable for indexable inserts with a radius of 0.031" (0.80mm)

Clamping Pieces for Outside Turning Insert Holders

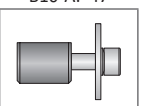
	Boring Range	Complete Part No.
m	4.00 - 30.00	236088
	29.00 - 66.00	236089



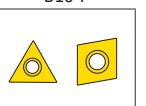
B10-N: 10-13




B10-A: 47



B10-F



B10: xii-xiii

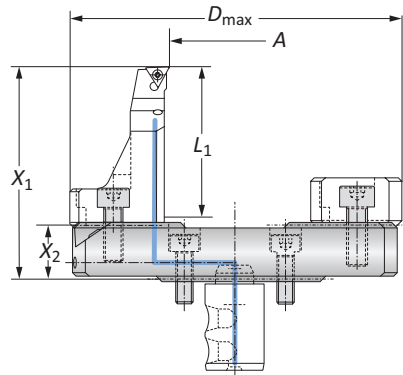


i = Imperial (in)
 m = Metric (mm)
 Inserts sold separately

A
B
C
D
E
F
G
H
I
J
K
L
M
N
INDEX

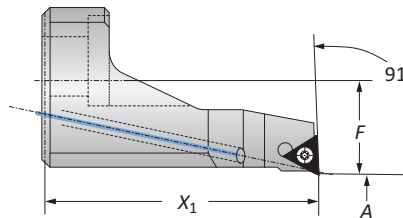
Outside Turning Serrated Slides | Insert Holders

Diameter Range: 0.078" - 4.488" (2.00mm - 114.00mm)



Outside Turning Serrated Slides

	Boring Range		Serrated Slide			Weight	Part No.
	A	X ₁	X ₂	L ₁	D _{max}		
i	0.078 - 1.181	2.874	0.630	2.874	3.396	0.771 (lbs)	501064
	1.181 - 2.283	2.874	0.630	2.874	5.078	0.970 (lbs)	501065
	2.283 - 3.385	3.110	0.866	2.874	6.181	1.322 (lbs)	501066
	3.385 - 4.488	3.110	0.866	3.110	7.283	1.609 (lbs)	501067
m	2.00 - 30.00	73.00	16.00	73.00	101.00	0.35 (kg)	501064
	30.00 - 58.00	73.00	16.00	73.00	129.00	0.44 (kg)	501065
	58.00 - 86.00	79.00	22.00	73.00	157.00	0.60 (kg)	501066
	86.00 - 114.00	79.00	22.00	79.00	185.00	0.73 (kg)	501067



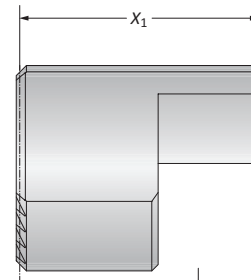
Insert Holders

	Outside Turning Range		Insert Holder		Weight	Insert Form	Part No.
	A	X ₁	F				
i	0.079 - 4.488	2.244	0.776		0.331 (lbs)	20	502082
m	2.00 - 114.00	57.00	19.70		0.15 (kg)	20	502082

NOTE: clockwise and neutral execution

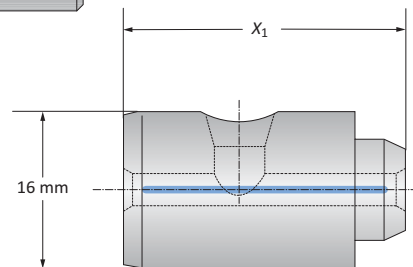
Counter Weights

	Counter Weight		Part No.
	X ₁	Weight	
i	1.486	0.350 (lbs)	502183
m	37.75	0.16 (kg)	502183



Coolant Delivery Sections

	Coolant Delivery Section		Part No.
	X ₁	Weight	
i	1.004	0.022 (lbs)	450137
m	25.50	0.01 (kg)	450137



Key on B10-A: 1

B10-N: 10-13

B10-A: 47

B10-F

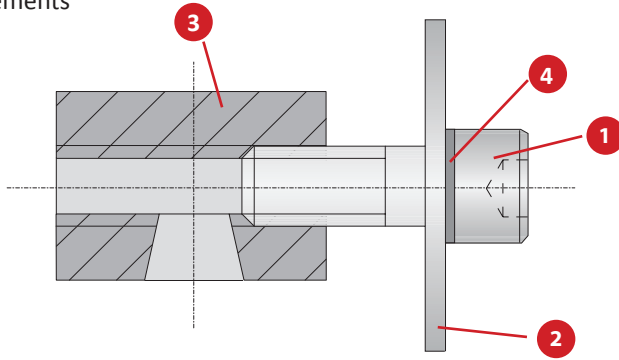
B10: xii-xiii

i = Imperial (in)
m = Metric (mm)

Inserts sold separately

Accessories

Clamping Elements

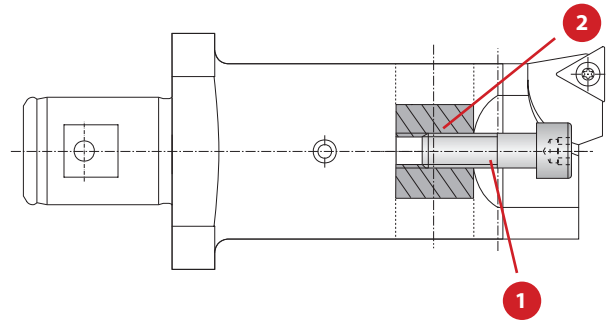


Clamping Elements for Insert Holders

	1	2	3	4		
Boring Range	Cap Screw	Hex Size	Washer	Clamping Nut	Locking Washer	Complete Part No.
m 4.00 - 30.00	070153	s5	315155	236120	215254	236088
29.00 - 66.00	070153	s5	315156	236120	215254	236089

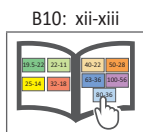
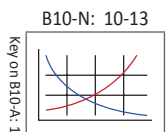
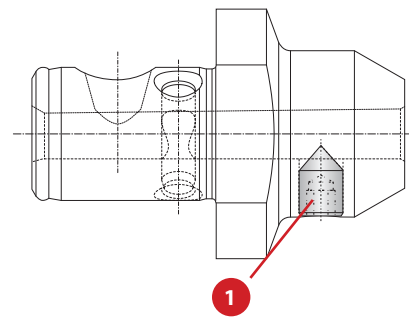
Clamping Elements for Serrated Tool Body

1	2
Cap Screw	Clamping Piece
027154	145184



Thread Pin

Service Key	1
	Part No.
S3 / A	415244

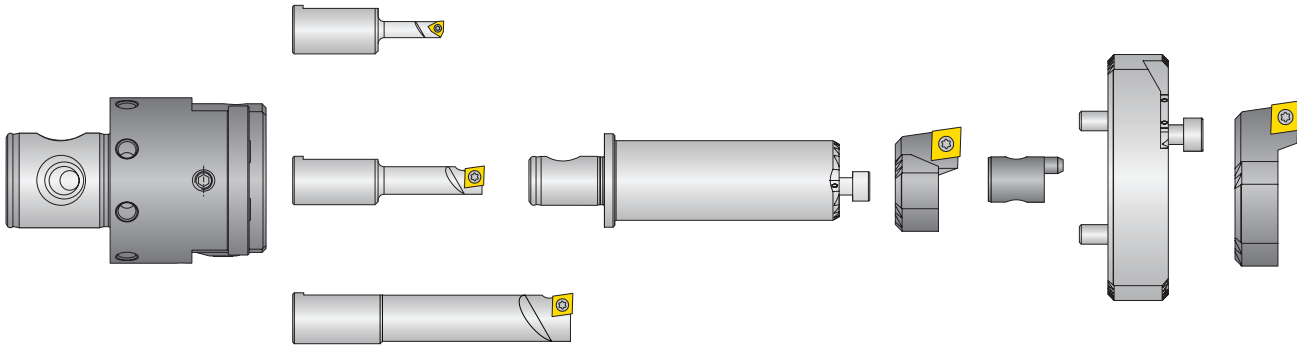


i = Imperial (in)
m = Metric (mm)

A
B
C
D
E
F
G
H
I
J
K
L
M
N
INDEX

Kit Components

Form 101 | Diameter Range: 0.236" - 5.039" (6.00mm - 128.00mm)



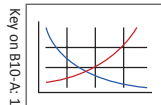
Kit Components								
	Boring Head	Boring Bars	Insert Holders	Serrated Tool Body	Serrated Slide	Coolant Delivery Section	Service Keys	Kit No.
i	451001	450026 (Form 211) 450027 (Form 101) 450028 (Form 101)	450022 450023	450021	450024	450125	003195 (s4) 515451 (T6) 515452 (T8)	104088
m	450001	450026 (Form 211) 450027 (Form 101) 450028 (Form 101)	450022 450023	450021	450024	450125	003195 (s4) 515451 (T6) 515452 (T8)	103088

NOTE: Inserts sold separately



B10-N: 10-13

B10: xii-xiii



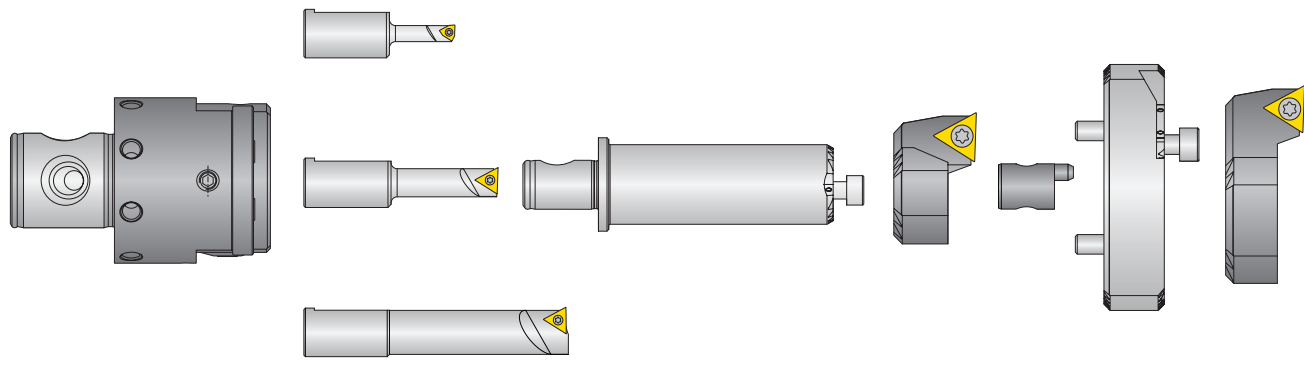
i = Imperial (in)
m = Metric (mm)

Inserts sold separately

IMPORTANT: Max spindle speed refers to maximum possible speed for an individual boring head and is not a recommended parameter. Refer to page B10-N: 10 for recommended application-specific parameters. Factory technical assistance is available for your specific applications through our Application Engineering department.
ext: 7611 | email: appeng@alliedmachine.com

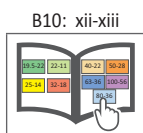
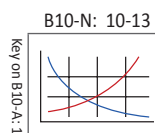
Kit Components

Form 20 | Diameter Range: 0.236" - 5.039" (6.00mm - 128.00mm)



Kit Components								
	Boring Head	Boring Bars	Insert Holders	Serrated Tool Body	Serrated Slide	Coolant Delivery Section	Service Keys	Kit No.
i	451001	450026 (Form 211) 450038 (Form 20) 450039 (Form 20)	450040 450041	450021	450024	450125	003195 (s4) 515451 (T6) 515452 (T8)	104089
m	450001	450026 (Form 211) 450038 (Form 20) 450039 (Form 20)	450040 450041	450021	450024	450125	003195 (s4) 515451 (T6) 515452 (T8)	103089

NOTE: Inserts sold separately



i = Imperial (in)
m = Metric (mm)
Inserts sold separately

IMPORTANT: Max spindle speed refers to maximum possible speed for an individual boring head and is not a recommended parameter. Refer to page B10-N: 10 for recommended application-specific parameters. Factory technical assistance is available for your specific applications through our Application Engineering department.
ext: 7611 | email: appeng@alliedmachine.com

Digital 511 (510) Product Overview

Digital 511 (510) VERSATILE BORING

Improve your boring job with the Digital 511 (510) boring head.

The Wohlhaupter® Digital 511 (510) boring head offers precision, quality, and efficiency. Our integrated digital display makes the 511 (510) the smallest precision boring tool available and allows for easy opto-electronic adjusting.

Experience *precision boring* for yourself.

- Diameter range: 0.016" - 0.472" (0.40mm - 12.00mm)
- Easy-to-read digital display
- Coolant-through
- External counter weight for balancing
- Protected against coolant and dust according to IP65
- Fine adjustments of 0.0001" (0.002mm)
- Ideal for CAT40, BT30, HSK40
- Max spindle speed: 35,000 RPM



NOTE: Imperial item pictured

NOTE: Adjustment accuracy of 0.0001" or 0.002mm on diameter

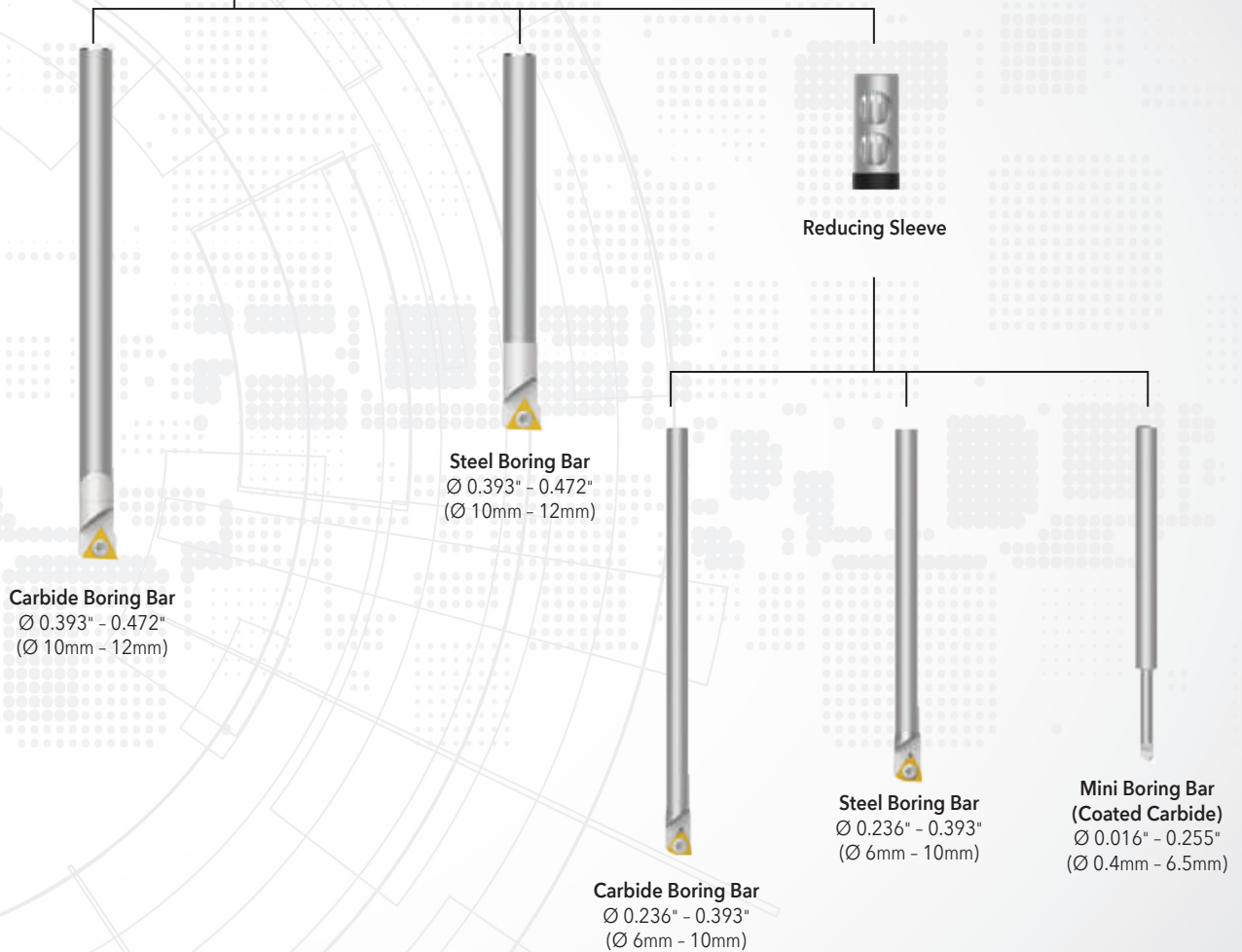
IMPORTANT: Max spindle speed refers to maximum possible speed for an individual boring head and is not a recommended parameter. Refer to page B10-N: 10 for recommended application-specific parameters. Factory technical assistance is available for your specific applications through our Application Engineering department.
ext: 7611 | email: appeng@alliedmachine.com

DIGITAL



NOTE: Imperial item pictured
NOTE: Adjustment accuracy of 0.0001"
or 0.002mm on diameter

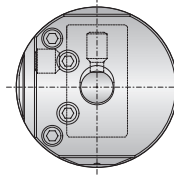
Digital 511 (510) Boring Head



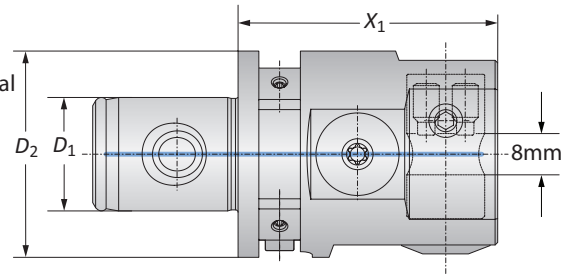
OPERATION **VERSATILITY**
from **0.016"** to **0.472"** (**0.4mm** to **12mm**)

Boring Heads

Diameter Range: 0.016" - 0.472" (0.40mm - 12.00mm)



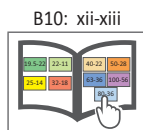
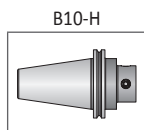
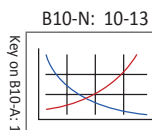
Fine Radial Stroke
+1.1 mm
-0.1 mm



NOTE: Imperial item pictured

NOTE: Adjustment accuracy of 0.0001" or 0.002mm on diameter

Connection	Boring Range	Boring Head	Weight	Part No.
$D_2 D_1$		X_1		
i 40 - 22	0.016 - 0.472	1.969	0.926 (lbs)	511001
m 40 - 22	0.40 - 12.00	50.00	2.19 (kg)	510001

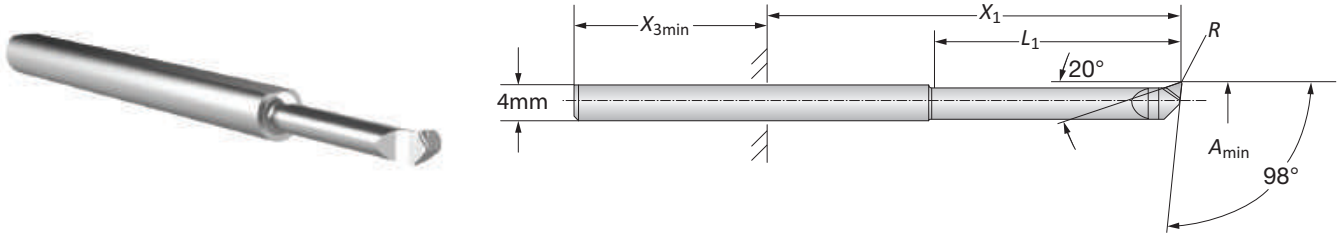


i = Imperial (in)
m = Metric (mm)

IMPORTANT: Max spindle speed refers to maximum possible speed for an individual boring head and is not a recommended parameter. Refer to page B10-N: 10 for recommended application-specific parameters. Factory technical assistance is available for your specific applications through our Application Engineering department.
ext: 7611 | email: appeng@alliedmachine.com

Mini Boring Bars

Diameter Range: 0.016" - 0.118" (0.40mm - 3.00mm)



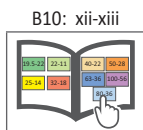
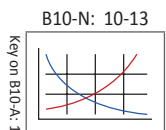
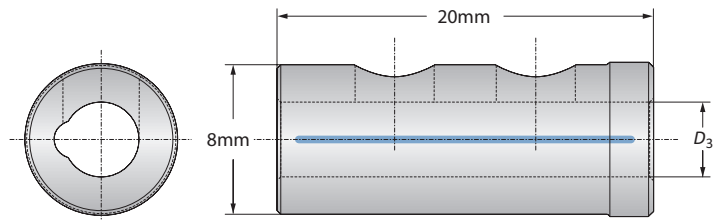
Mini Boring Bars

Boring Range		Boring Bar				Part No.
A_{min}	X_1	$X_{3\ min}$	L_1	R		
i	0.016	0.118 - 1.042	0.630	0.079	0.001	081401HC126
	0.024	0.157 - 1.063	0.630	0.118	0.002	081402HC126
	0.031	0.197 - 1.102	0.630	0.157	0.002	081403HC126
	0.039	0.236 - 1.142	0.630	0.197	0.002	081404HC126
	0.059	0.335 - 1.220	0.630	0.295	0.002	081405HC126
	0.079	0.433 - 1.339	0.630	0.394	0.002	081406HC126
	0.098	0.531 - 1.437	0.630	0.492	0.002	081407HC126
	0.110	0.591 - 1.496	0.630	0.551	0.002	081408HC126
m	0.40	3.00 - 26.00	16.00	2.00	0.03	081401HC126
	0.60	4.00 - 27.00	16.00	3.00	0.04	081402HC126
	0.80	5.00 - 28.00	16.00	4.00	0.04	081403HC126
	1.00	6.00 - 29.00	16.00	5.00	0.05	081404HC126
	1.50	8.50 - 31.50	16.00	7.50	0.05	081405HC126
	2.00	11.00 - 34.00	16.00	10.00	0.05	081406HC126
	2.50	13.50 - 36.50	16.00	12.50	0.05	081407HC126
	2.80	15.00 - 38.00	16.00	14.00	0.07	081408HC126



Reducing Sleeve

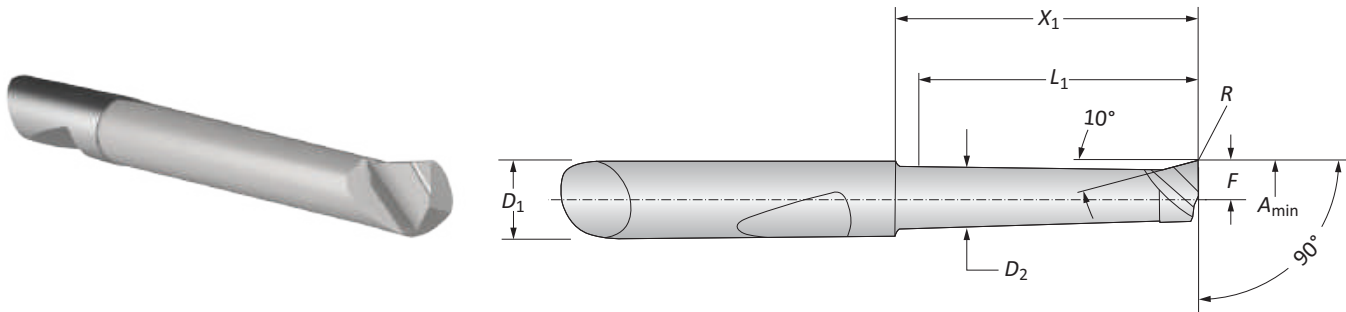
Reducing Sleeve	
D_3	Part No.
4.00	514201



i = Imperial (in)
m = Metric (mm)

Mini Boring Bars

WHC05 | WHW04 | WBN150 | Diameter Range: 0.118" - 0.393" (3.00mm - 10.00mm)



Mini Boring Bars

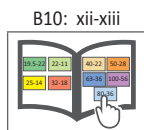
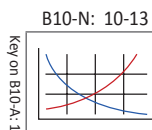
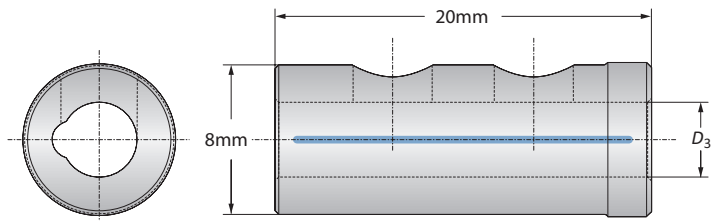
Boring Range	Boring Bar							Part No.		
	A_{min}	D_1	D_2	X_1	L_1	F	R	Coated Carbide	Uncoated Carbide	CBN
	0.118	-	0.102	0.452	0.393	0.055	0.003	081306HC05	-	081322BN150
	0.118	-	0.102	0.649	0.590	0.055	0.003	081307HC05	081307HW04	-
	0.157	-	0.141	0.472	0.393	0.074	0.007	081308HC05	-	081317BN150
	0.157	-	0.141	0.669	0.590	0.074	0.007	081309HC05	-	081341BN150
	0.157	-	0.141	0.866	0.787	0.074	0.007	081310HC05	081310HW04	-
	0.196	-	0.181	0.472	0.393	0.094	0.007	081311HC05	-	081318BN150
i	0.196	-	0.181	0.866	0.787	0.094	0.007	081312HC05	-	081319BN150
	0.196	-	0.181	1.259	1.181	0.094	0.007	081313HC05	081313HW04	-
	0.236	-	0.220	0.866	0.787	0.114	0.007	081314HC05	-	081320BN150
	0.236	-	0.220	1.259	1.181	0.114	0.007	081315HC05	-	081321BN150
	0.236	-	0.220	1.653	1.574	0.114	0.007	081316HC05	081316HW04	-
	0.314	-	0.299	0.984	0.905	0.153	0.007	081323HC05	-	-
	0.314	-	0.299	1.968	1.889	0.153	0.007	081324HC05	-	-
	3.00	6.00*	2.60	11.50	10.00	1.40	0.10	081306HC05	-	081322BN150
	3.00	6.00*	2.60	16.50	15.00	1.40	0.10	081307HC05	081307HW04	-
	4.00	6.00*	3.60	12.00	10.00	1.90	0.20	081308HC05	-	081317BN150
	4.00	6.00*	3.60	17.00	15.00	1.90	0.20	081309HC05	-	081341BN150
	4.00	6.00*	3.60	22.00	20.00	1.90	0.20	081310HC05	081310HW04	-
m	5.00	6.00*	4.60	12.00	10.00	2.40	0.20	081311HC05	-	081318BN150
	5.00	6.00*	4.60	22.00	20.00	2.40	0.20	081312HC05	-	081319BN150
	5.00	6.00*	4.60	32.00	30.00	2.40	0.20	081313HC05	081313HW04	-
	6.00	6.00*	5.60	22.00	20.00	2.90	0.20	081314HC05	-	081320BN150
	6.00	6.00*	5.60	32.00	30.00	2.90	0.20	081315HC05	-	081321BN150
	6.00	6.00*	5.60	42.00	40.00	2.90	0.20	081316HC05	081316HW04	-
	8.00	8.00	7.60	25.00	23.00	3.90	0.20	081323HC05	-	-
	8.00	8.00	7.60	50.00	48.00	3.90	0.20	081324HC05	-	-

*Fixture through reducing sleeves



Reducing Sleeve

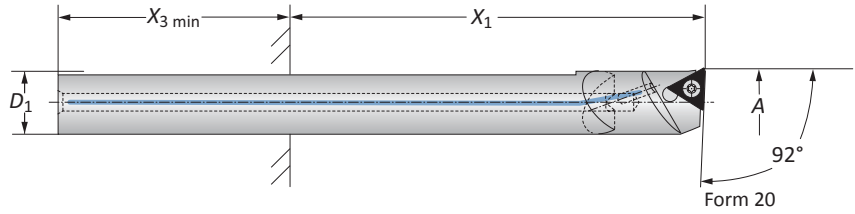
Reducing Sleeve	
D_3	Part No.
m 6.00	514210



i = Imperial (in)
m = Metric (mm)

Boring Bars

Diameter Range: 0.236" - 0.472" (6.00mm - 12.00mm)

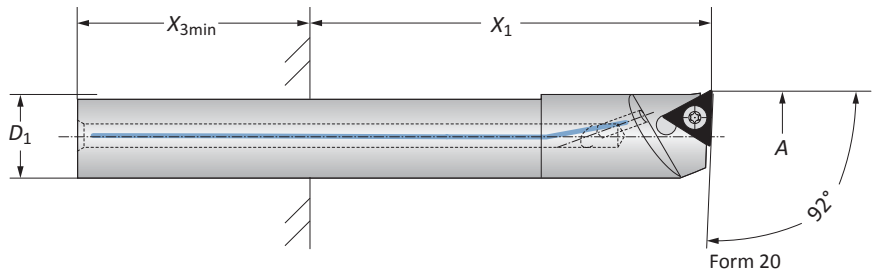


Carbide Boring Bars

	Boring Range A	Boring Bar			Weight	Part No.			
		D ₁	X ₁	X _{3 min}		Insert Form	Boring Bar	Insert Form	Boring Bar
i	0.236 - 0.315	-	0.492 - 2.559	0.630	0.044 (lbs)	211**	514034	-	-
	0.315 - 0.394	-	0.826 - 3.307	0.630	0.110 (lbs)	211**	514035	-	-
	0.394 - 0.472	-	2.047 - 3.622	0.748	0.154 (lbs)	101**	514015	20**	514016
m	6.00 - 8.00	5.00*	12.50 - 65.00	16.00	0.02 (kg)	211**	514034	-	-
	8.00 - 10.00	7.00*	21.00 - 84.00	16.00	0.05 (kg)	211**	514035	-	-
	10.00 - 12.00	8.00	52.00 - 92.00	19.00	0.07 (kg)	101**	514015	20**	514016

*Fixture-through reducing sleeves

**Not suitable for indexable inserts with a radius of 0.031" (0.80mm)



Steel Boring Bars

	Boring Range A	Boring Bar			Weight	Part No.			
		D ₁	X ₁	X _{3 min}		Insert Form	Boring Bar	Insert Form	Boring Bar
i	0.236 - 0.315	-	0.492 - 1.772	0.630	0.022 (lbs)	211**	514032	-	-
	0.315 - 0.394	-	0.689 - 2.205	0.630	0.044 (lbs)	211**	514033	-	-
	0.394 - 0.472	-	0.787 - 2.362	0.748	0.066 (lbs)	101**	514003	20**	514004
m	6.00 - 8.00	5.00*	12.50 - 45.00	16.00	0.01 (kg)	211**	514032	-	-
	8.00 - 10.00	7.00*	17.50 - 56.00	16.00	0.02 (kg)	211**	514033	-	-
	10.00 - 12.00	8.00	20.00 - 60.00	19.00	0.03 (kg)	101**	514003	20**	514004

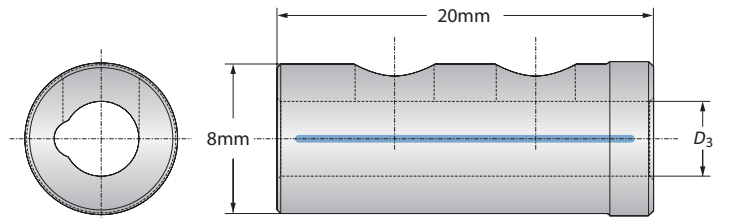
*Fixture-through reducing sleeves

**Not suitable for indexable inserts with a radius of 0.031" (0.8mm)



Reducing Sleeves

Reducing Sleeve		Part No.
D ₃		
5.00		514202
7.00		514203



B10-N: 10-13

B10-A: 56

B10-F

B10: xii-xiii

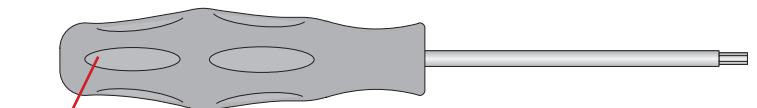
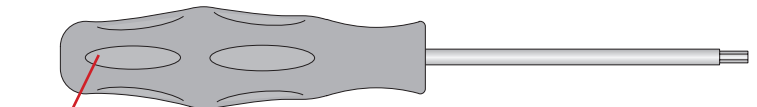
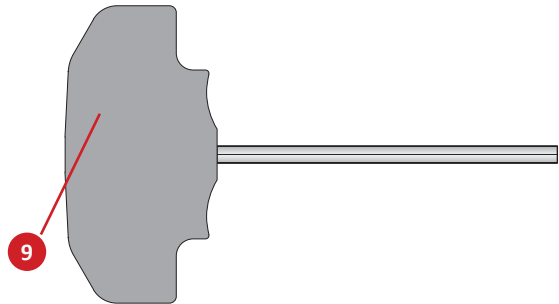
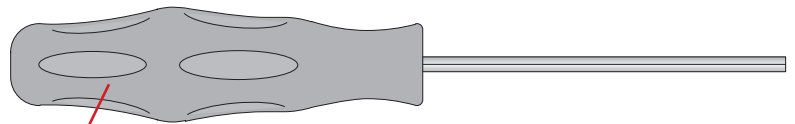
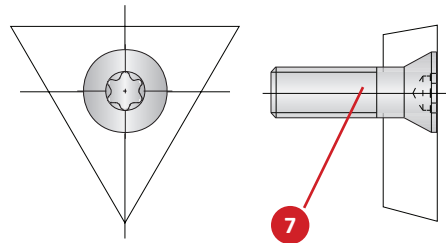
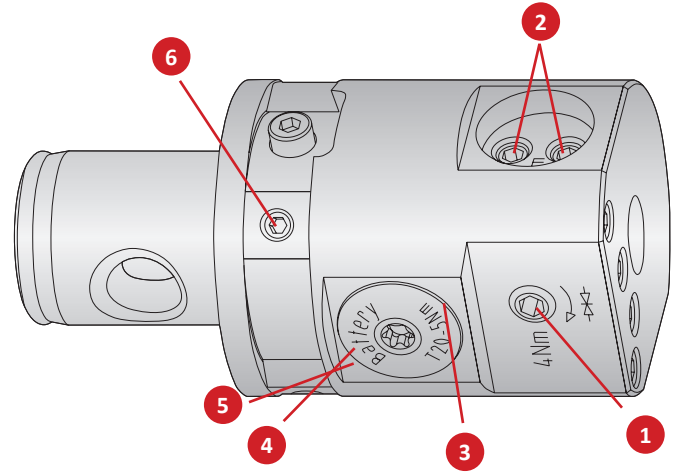
i = Imperial (in)
m = Metric (mm)
Inserts sold separately

A
B
C
D
E
F
G
H
I
J
K
L
M
N
INDEX

Boring Head Accessories

No.	Part	Insert Form	Size	Part No.
1	Clamping screw	-	-	115985
2	Thread pin for tool clamping	-	-	070333
3	Sealing ring for battery cover	-	-	415895
4	Battery*	-	-	415896
5	Battery cover	-	-	501016
6	Thread pin	-	-	510114
7	Insert screws	Form 20 Form 101 Form 337	T7 T8 T6	115535-1 115676-1 515286
8	Hex wrench	-	s2	215473
9	Hex wrench	-	s2.5 s3.0	415577 415578
10	Torx driver	-	T6 T7 T8 T20	115537 115591 115590 215150
11	Torx screwdriver	Form 211 Form 20 Form 101	T6 T7 T8	415507 415508 415514

*Always change two batteries
NOTE: Please use VARTA batteries



DigiBore Product Overview



DigiBore VERSATILE BORING

Advanced versatile technology.

The Wohlhaupter® DigiBore boring head provides internal balancing, which makes this tool the stress-free choice to meet your required surface finish. Its digital display allows for quick and accurate diameter corrections at the machine.

Engineered with the *future in mind*.

- Diameter range: 0.118" - 8.189" (3.00mm - 208.00mm)
- Offers outside turning capabilities: 0.157" - 4.488" (4.00mm - 114.00mm)
- Digital readout for simple 0.0001" (0.002mm) diameter adjustments
- Ease the stress of working on different day-to-day projects with boring kits
- Automatic internal balancing improves surface finish, tool life, and accuracy
- Max spindle speed: 16,000 RPM
- Max coolant pressure: 580 PSI (40 bar)

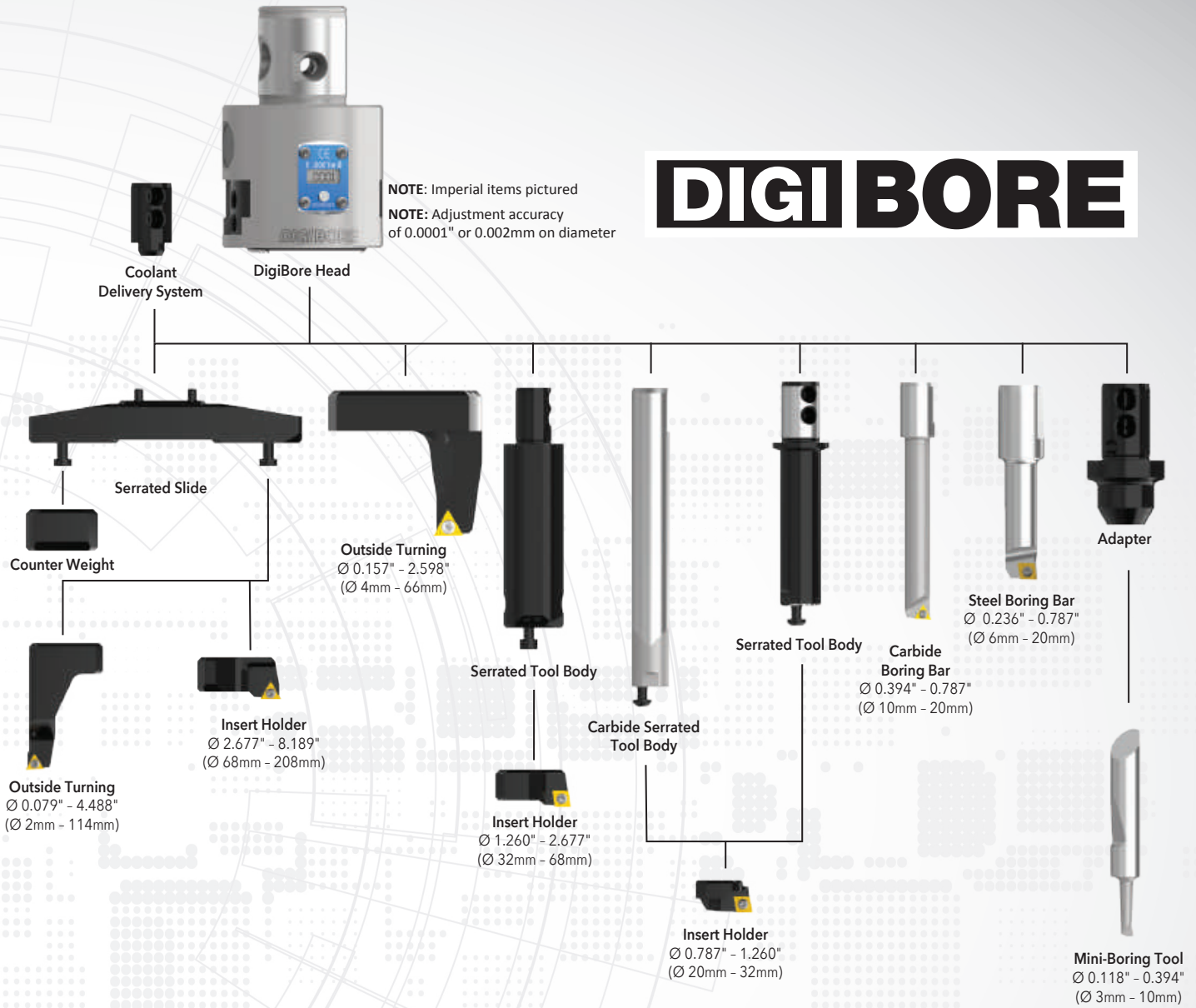


NOTE: Imperial items pictured
NOTE: Adjustment accuracy of 0.0001"
or 0.002mm on diameter

IMPORTANT: Max spindle speed refers to maximum possible speed for an individual boring head and is not a recommended parameter. Refer to page B10-N: 10 for recommended application-specific parameters. Factory technical assistance is available for your specific applications through our Application Engineering department.
ext: 7611 | email: appeng@alliedmachine.com

DIGI BORE

NOTE: Imperial items pictured
NOTE: Adjustment accuracy of 0.0001" or 0.002mm on diameter



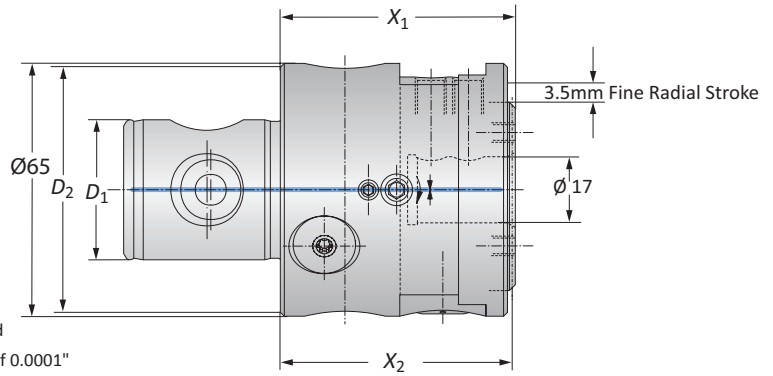
OPERATION VERSATILITY
from **0.118"** to **8.189"** (3mm to 208mm)
plus outside turning

NOTE: Imperial items pictured
NOTE: Adjustment accuracy of 0.0001"
or 0.002mm on diameter



Boring Heads

Diameter Range: 0.118" - 8.189" (3.00mm - 208.00mm)



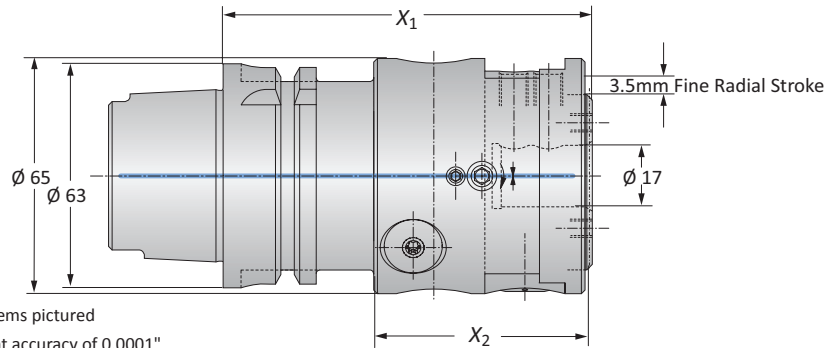
NOTE: Imperial items pictured

NOTE: Adjustment accuracy of 0.0001" or 0.002mm on diameter

DigiBore Boring Heads

	Connection		Boring Head		Weight	Part No.
	D ₂ D ₁	Boring Range	X ₁	X ₂		
i	50 - 28	0.118 - 8.189	2.362	2.342	2.866 (lbs)	504003
	63 - 36	0.118 - 8.189	2.362	2.342	3.307 (lbs)	504001
m	50 - 28	3.00 - 208.00	60.00	59.50	1.30 (kg)	501005
	63 - 36	3.00 - 208.00	60.00	59.50	1.50 (kg)	501001

NOTE: DigiBore heads are compatible with Kaiser® connection



NOTE: Imperial items pictured

NOTE: Adjustment accuracy of 0.0001" or 0.002mm on diameter

DigiBore Boring Heads

	Connection		Boring Head		Weight	Part No.
	Boring Range	X ₁	X ₂			
i	HSK-A 63	0.118 - 8.189	4.015	2.342	4.630 (lbs)	504004
	PSC 63 (Polygon Shank)	0.118 - 8.189	4.015	2.342	4.630 (lbs)	504019
m	HSK-A 63	3.00 - 208.00	102.00	59.50	2.10 (kg)	501004
	PSC 63 (Polygon Shank)	3.00 - 208.00	102.00	59.50	2.10 (kg)	501019

Key on B10-A: 1

B10-N: 10-13

B10-H

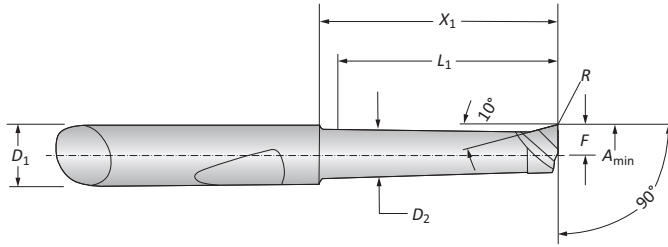
B10: xii-xiii

i = Imperial (in)
m = Metric (mm)

IMPORTANT: Max spindle speed refers to maximum possible speed for an individual boring head and is not a recommended parameter. Refer to page B10-N: 10 for recommended application-specific parameters. Factory technical assistance is available for your specific applications through our Application Engineering department.
ext: 7611 | email: appeng@alliedmachine.com

Mini Boring Bars

WHC05 | WHW04 | WBN150 | Diameter Range: 0.118" - 0.394" (3.00mm - 10.00mm)



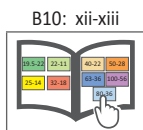
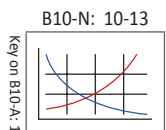
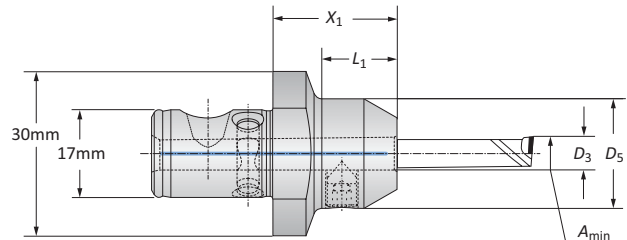
Mini Boring Bars

Boring Range	Boring Bar						Part No.			
	A_{min}	D_1	D_2	X_1	L_1	F	R	Coated Carbide	Uncoated Carbide	CBN
i	0.118	-	0.102	0.453	0.394	0.055	0.004	081306HC05	-	081322BN150
	0.118	-	0.102	0.650	0.590	0.055	0.004	081307HC05	081307HW04	-
	0.157	-	0.142	0.472	0.394	0.075	0.008	081308HC05	-	081317BN150
	0.157	-	0.142	0.669	0.590	0.075	0.008	081309HC05	-	081341BN150
	0.157	-	0.142	0.866	0.787	0.075	0.008	081310HC05	081310HW04	-
	0.197	-	0.181	0.472	0.394	0.094	0.008	081311HC05	-	081318BN150
	0.197	-	0.181	0.866	0.787	0.094	0.008	081312HC05	-	081319BN150
	0.197	-	0.181	1.260	1.181	0.094	0.008	081313HC05	081313HW04	-
	0.236	-	0.220	0.866	0.787	0.114	0.008	081314HC05	-	081320BN150
	0.236	-	0.220	1.260	0.181	0.114	0.008	081315HC05	-	081321BN150
	0.236	-	0.220	1.654	1.575	0.114	0.008	081316HC05	081316HW04	-
	0.315	-	0.299	0.984	0.906	0.154	0.008	081323HC05	-	-
	0.315	-	0.299	1.968	1.890	0.154	0.008	081324HC05	-	-
	m	3.00	6.00	2.60	11.50	10.00	1.40	0.10	081306HC05	-
3.00		6.00	2.60	16.50	15.00	1.40	0.10	081307HC05	081307HW04	-
4.00		6.00	3.60	12.00	10.00	1.90	0.20	081308HC05	-	081317BN150
4.00		6.00	3.60	17.00	15.00	1.90	0.20	081309HC05	-	081341BN150
4.00		6.00	3.60	22.00	20.00	1.90	0.20	081310HC05	081310HW04	-
5.00		6.00	4.60	12.00	10.00	2.40	0.20	081311HC05	-	081318BN150
5.00		6.00	4.60	22.00	20.00	2.40	0.20	081312HC05	-	081319BN150
5.00		6.00	4.60	32.00	30.00	2.40	0.20	081313HC05	081313HW04	-
6.00		6.00	5.60	22.00	20.00	2.90	0.20	081314HC05	-	081320BN150
6.00		6.00	5.60	32.00	30.00	2.90	0.20	081315HC05	-	081321BN150
6.00		6.00	5.60	42.00	40.00	2.90	0.20	081316HC05	081316HW04	-
8.00		8.00	7.60	25.00	23.00	3.90	0.20	081323HC05	-	-
8.00		8.00	7.60	50.00	48.00	3.90	0.20	081324HC05	-	-



Adapters

Boring Range	Adapter				Weight	Part No.
	X_1	L_1	D_3	D_5		
3.00 - 8.00	22.50	14.00	6.00	20.00	0.04 (kg)	501050
8.00 - 10.00	22.50	14.00	8.00	22.00	0.04 (kg)	501051



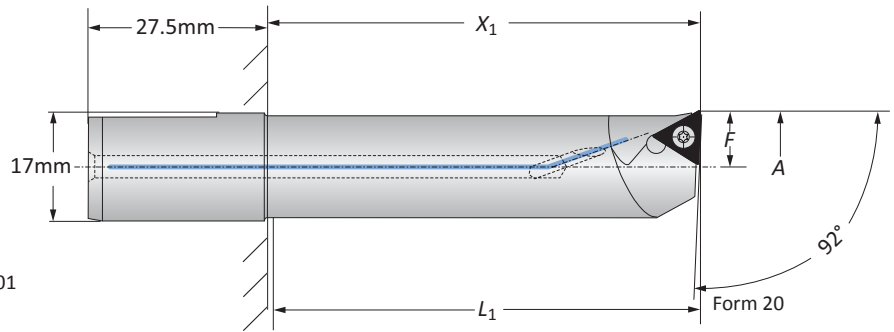
i = Imperial (in)
m = Metric (mm)

Boring Bars

Steel | Diameter Range: 0.236" - 0.787" (6.00mm - 20.00mm)



Form 101



Boring Range	Boring Bar				Weight	Insert Form	Part No.	Insert Form	Part No.
	A	X ₁	L ₁	F					
0.236 - 0.315	0.866	0.748	0.110	0.110 (lbs)	211	502068	-	-	
0.315 - 0.394	1.181	1.063	0.150	0.110 (lbs)	211	502066	-	-	
0.394 - 0.433	1.181	1.063	0.189	0.132 (lbs)	101*	502012	20*	502001	
0.433 - 0.472	1.181	1.063	0.203	0.132 (lbs)	101*	502075	20*	502070	
0.472 - 0.512	1.772	1.654	0.228	0.154 (lbs)	101*	502013	20*	502002	
0.512 - 0.551	1.772	1.654	0.248	0.176 (lbs)	101*	502076	20*	502071	
0.551 - 0.591	1.968	1.850	0.268	0.176 (lbs)	101*	502014	20*	502003	
0.591 - 0.630	1.968	1.850	0.287	0.198 (lbs)	101*	502077	20*	502072	
0.630 - 0.669	2.362	2.244	0.307	0.220 (lbs)	101*	502015	20*	502004	
0.669 - 0.709	2.362	2.244	0.327	0.265 (lbs)	101*	502078	20*	502073	
0.709 - 0.748	2.677	2.559	0.346	0.287 (lbs)	101*	502016	20*	502005	
0.748 - 0.787	2.677	2.559	0.366	0.309 (lbs)	101*	502079	20*	502074	
6.00 - 8.00	22.00	19.00	2.80	0.05 (kg)	211	502068	-	-	
8.00 - 10.00	30.00	27.00	3.80	0.05 (kg)	211	502066	-	-	
10.00 - 11.00	30.00	27.00	4.80	0.06 (kg)	101*	502012	20*	502001	
11.00 - 12.00	30.00	27.00	5.30	0.06 (kg)	101*	502075	20*	502070	
12.00 - 13.00	45.00	42.00	5.80	0.07 (kg)	101*	502013	20*	502002	
13.00 - 14.00	45.00	42.00	6.30	0.08 (kg)	101*	502076	20*	502071	
14.00 - 15.00	50.00	47.00	6.80	0.08 (kg)	101*	502014	20*	502003	
15.00 - 16.00	50.00	47.00	7.30	0.09 (kg)	101*	502077	20*	502072	
16.00 - 17.00	60.00	57.00	7.80	0.10 (kg)	101*	502015	20*	502004	
17.00 - 18.00	60.00	57.00	8.30	0.12 (kg)	101*	502078	20*	502073	
18.00 - 19.00	68.00	65.00	8.80	0.13 (kg)	101*	502016	20*	502005	
19.00 - 20.00	68.00	65.00	9.30	0.14 (kg)	101*	502079	20*	502074	

*Not suitable for indexable inserts with a radius of 0.031" (0.80mm)

Key on B10-A: 1

B10-N: 10-13

B10-F

B10: xii-xiii

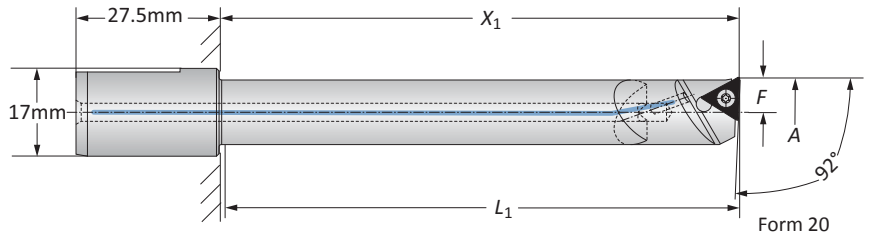
i = Imperial (in)
 m = Metric (mm)
 Inserts sold separately

Boring Bars

Carbide | Diameter Range: 0.394" - 0.787" (10.00mm - 20.00mm)

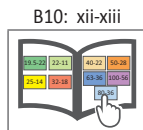
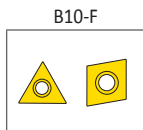
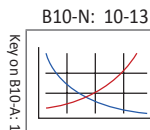


Form 101



	Boring Range		Boring Bar				Insert Form	Part No.	Insert Form	Part No.
	A	X ₁	L ₁	F	Weight					
i	0.394 - 0.472	2.165	2.047	0.189	0.265 (lbs)	101*	502093	20*	502088	
	0.394 - 0.472	2.756	2.638	0.189	0.309 (lbs)	101*	502034	20*	502023	
	0.472 - 0.551	2.559	2.441	0.228	0.287 (lbs)	101*	502094	20*	502089	
	0.472 - 0.551	3.346	3.228	0.228	3.975 (lbs)	101*	502035	20*	502024	
	0.551 - 0.630	2.953	2.835	0.268	0.375 (lbs)	101*	502095	20*	502090	
	0.551 - 0.630	3.543	3.425	0.268	0.485 (lbs)	101*	502036	20*	502025	
	0.630 - 0.709	3.346	3.228	0.307	0.573 (lbs)	101*	502096	20*	502091	
	0.630 - 0.709	4.331	4.213	0.307	0.706 (lbs)	101*	502037	20*	502026	
	0.709 - 0.787	3.740	3.622	0.346	0.617 (lbs)	101*	502097	20*	502092	
0.709 - 0.787	4.724	4.606	0.346	0.882 (lbs)	101*	502038	20*	502027		
m	10.00 - 12.00	55.00	52.00	4.80	0.12 (kg)	101*	502093	20*	502088	
	10.00 - 12.00	70.00	67.00	4.80	0.14 (kg)	101*	502034	20*	502023	
	12.00 - 14.00	65.00	62.00	5.80	0.13 (kg)	101*	502094	20*	502089	
	12.00 - 14.00	85.00	82.00	5.80	0.18 (kg)	101*	502035	20*	502024	
	14.00 - 16.00	75.00	72.00	6.80	0.17 (kg)	101*	502095	20*	502090	
	14.00 - 16.00	90.00	87.00	6.80	0.22 (kg)	101*	502036	20*	502025	
	16.00 - 18.00	85.00	82.00	7.80	0.26 (kg)	101*	502096	20*	502091	
	16.00 - 18.00	110.00	107.00	7.80	0.32 (kg)	101*	502037	20*	502026	
	18.00 - 20.00	95.00	92.00	8.80	0.28 (kg)	101*	502097	20*	502092	
18.00 - 20.00	120.00	117.00	8.80	0.40 (kg)	101*	502038	20*	502027		

*Not suitable for indexable inserts with a radius of 0.031" (0.80mm)

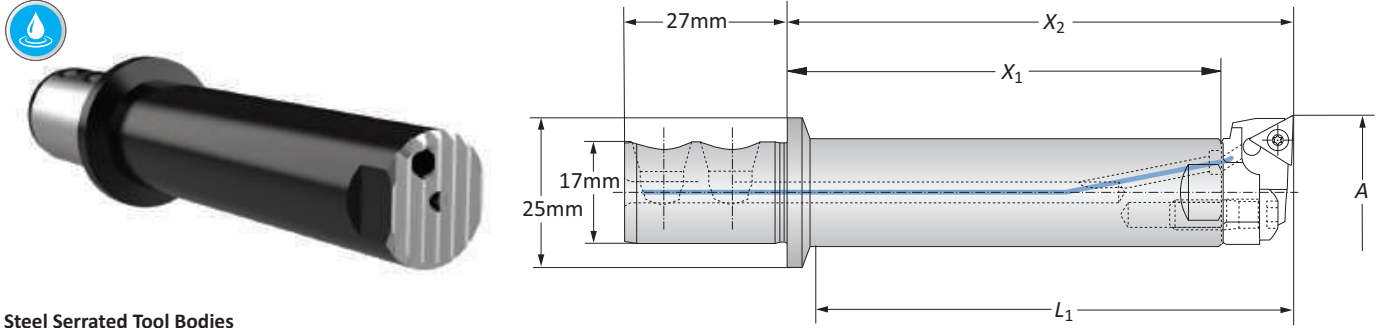


i = Imperial (in)
m = Metric (mm)
 Inserts sold separately

A
B
C
D
E
F
G
H
I
J
K
L
M
N
INDEX

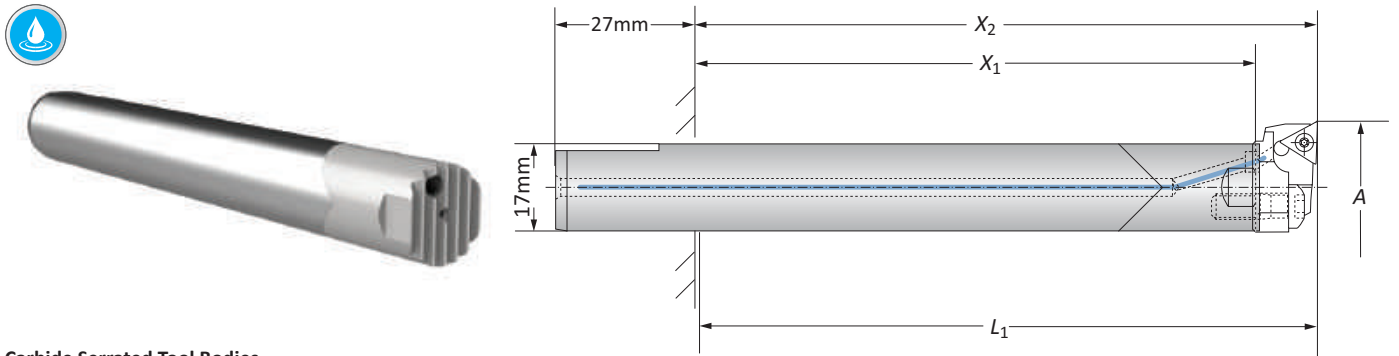
Serrated Tool Bodies | Insert Holders

Steel | Carbide | Diameter Range: 0.787" - 1.260" (20.00mm - 32.00mm)



Steel Serrated Tool Bodies

	Boring Range		Serrated Tool Body			Weight	Part No.
	A	X ₁	X ₂	L ₁			
i	0.787 - 1.260	2.835	3.307	3.031	0.441 (lbs)	502045	
m	20.00 - 32.00	72.00	84.00	77.00	0.20 (kg)	502045	



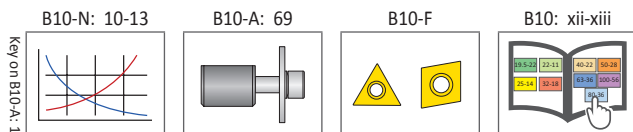
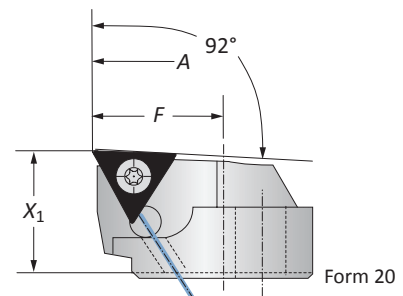
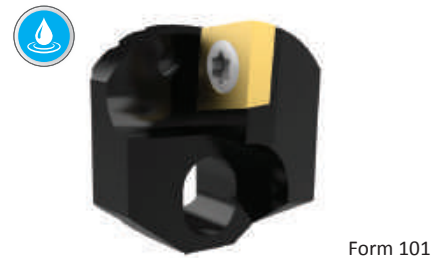
Carbide Serrated Tool Bodies

	Boring Range		Serrated Tool Body			Weight	Part No.
	A	X ₁	X ₂	L ₁			
i	0.787 - 1.260	4.252	4.724	4.606	0.882 (lbs)	502062	
m	20.00 - 32.00	108.00	120.00	117.00	0.40 (kg)	502062	

Insert Holders

	Boring Range		Insert Holder		Weight	Insert Form	Part No.	Insert Form	Part No.
	A	X ₁	F						
i	0.787 - 0.866	0.472	0.386	0.022 (lbs)	101*	502052	20*	502046	
	0.866 - 0.945	0.472	0.425	0.022 (lbs)	101*	502053	20*	502047	
	0.945 - 1.024	0.472	0.465	0.022 (lbs)	101*	502054	20*	502048	
	1.024 - 1.102	0.472	0.504	0.022 (lbs)	101*	502055	20*	502049	
	1.102 - 1.181	0.472	0.543	0.022 (lbs)	101*	502056	20*	502050	
	1.181 - 1.260	0.472	0.583	0.022 (lbs)	101*	502057	20*	502051	
m	20.00 - 22.00	12.00	9.80	0.01 (kg)	101*	502052	20*	502046	
	22.00 - 24.00	12.00	10.80	0.01 (kg)	101*	502053	20*	502047	
	24.00 - 26.00	12.00	11.80	0.01 (kg)	101*	502054	20*	502048	
	26.00 - 28.00	12.00	12.80	0.01 (kg)	101*	502055	20*	502049	
	28.00 - 30.00	12.00	13.80	0.01 (kg)	101*	502056	20*	502050	
	30.00 - 32.00	12.00	14.80	0.01 (kg)	101*	502057	20*	502051	

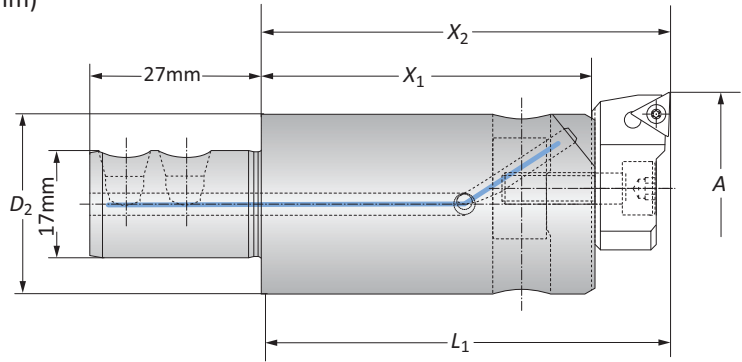
*Not suitable for indexable inserts with a radius of 0.031" (0.80mm)



i = Imperial (in)
m = Metric (mm)
 Inserts sold separately

Alu-Line Serrated Tool Bodies | Insert Holders

Diameter Range: 1.260" - 2.677" (32.00mm - 68.00mm)

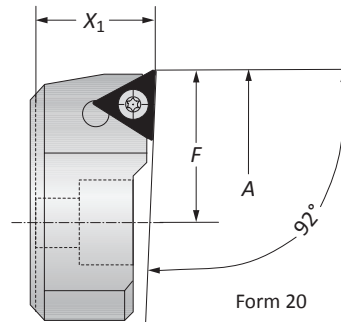


Alu-Line Serrated Tool Bodies

	Boring Range	Serrated Tool Body				Weight	Part No.
	A	D ₂	X ₁	X ₂	L ₁		
i	1.260 - 1.968	1.122	2.047	2.598	2.480	0.220 (lbs)	501052
	1.260 - 1.968	1.122	3.465	4.016	3.898	0.441 (lbs)	501060
	1.968 - 2.677	1.811	2.402	2.953	2.835	0.441 (lbs)	501053
	1.968 - 2.677	1.811	4.173	4.724	4.606	0.661 (lbs)	501061
m	32.00 - 50.00	28.50	52.00	66.00	63.00	0.10 (kg)	501052
	32.00 - 50.00	28.50	88.00	102.00	99.00	0.20 (kg)	501060
	50.00 - 68.00	46.00	61.00	75.00	72.00	0.20 (kg)	501053
	50.00 - 68.00	46.00	106.00	120.00	117.00	0.30 (kg)	501061



Form 101



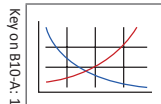
Form 20

Insert Holders

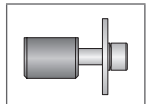
	Serrated Tool Body	Boring Range	Insert Holder		Weight	Insert Form	Part No.
		A	X ₁	F			
i	501052 / 501060	1.260 - 1.614	0.551	0.809	0.066 (lbs)	20*	502060
		1.614 - 1.968	0.551	0.889	0.088 (lbs)	20*	502061
		1.260 - 1.614	0.551	0.809	0.066 (lbs)	101	502058
		1.614 - 1.968	0.551	0.886	0.088 (lbs)	101	502059
	501053 / 501061	1.968 - 2.323	0.551	0.809	0.066 (lbs)	20*	502060
		2.323 - 2.677	0.551	0.886	0.088 (lbs)	20*	502061
		1.968 - 2.323	0.551	0.809	0.066 (lbs)	101	502058
		2.323 - 2.677	0.551	0.886	0.088 (lbs)	101	502059
m	501052 / 501060	32.00 - 41.00	14.00	18.00	0.03 (kg)	20*	502060
		41.00 - 50.00	14.00	22.50	0.04 (kg)	20*	502061
		32.00 - 41.00	14.00	18.00	0.03 (kg)	101	502058
		41.00 - 50.00	14.00	22.50	0.04 (kg)	101	502059
	501053 / 501061	50.00 - 59.00	14.00	18.00	0.03 (kg)	20*	502060
		59.00 - 68.00	14.00	22.50	0.04 (kg)	20*	502061
		50.00 - 59.00	14.00	18.00	0.03 (kg)	101	502058
		59.00 - 68.00	14.00	22.50	0.04 (kg)	101	502059

*Not suitable for indexable inserts with a radius of 0.031" (0.80mm)

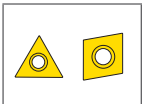
B10-N: 10-13



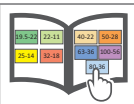
B10-A: 69



B10-F



B10: xii-xiii

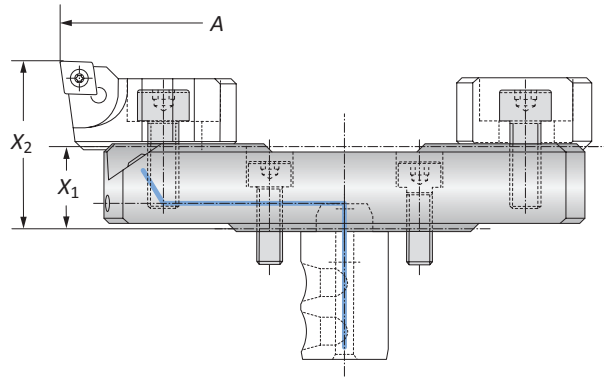


i = Imperial (in)
m = Metric (mm)
 Inserts sold separately

A
B
C
D
E
F
G
H
I
J
K
L
M
N
INDEX

Alu-Line Serrated Slides | Insert Holders

Diameter Range: 2.667" - 8.189" (68.00mm - 208.00mm)



Alu-Line Serrated Slides

	Boring Range		Serrated Slide		Weight	Part No.
	A		X ₁	X ₂		
i	2.667 - 3.780		0.630	1.280	0.220 (lbs)	501054
	3.780 - 4.881		0.630	1.280	0.220 (lbs)	501055
	4.881 - 5.984		0.630	1.280	0.441 (lbs)	501056
	5.984 - 7.088		0.866	1.516	0.551 (lbs)	501058
	7.088 - 8.189		0.866	1.516	0.661 (lbs)	501059
m	68.00 - 96.00		16.00	32.50	0.10 (kg)	501054
	96.00 - 124.00		16.00	32.50	0.10 (kg)	501055
	124.00 - 152.00		16.00	32.50	0.20 (kg)	501056
	152.00 - 180.00		22.00	38.50	0.25 (kg)	501058
	180.00 - 208.00		22.00	38.50	0.30 (kg)	501059

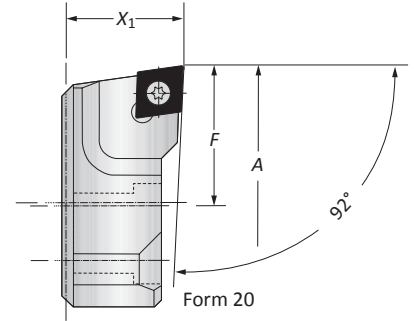
Insert Holders

	Boring Range	Weight	Insert Form	Part No.
i	2.677 - 8.189	0.110 (lbs)	101	502064
	2.677 - 8.189	0.110 (lbs)	20	502069
m	68.00 - 208.00	0.05 (kg)	101	502064
	68.00 - 208.00	0.05 (kg)	20	502069

NOTE: Other insert holders available upon request



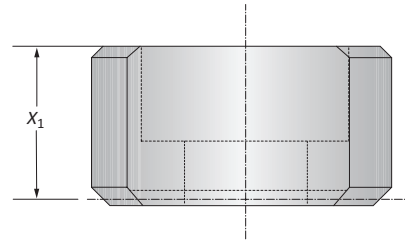
Form 101



Form 20

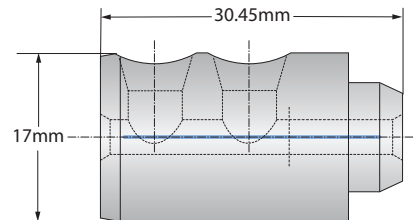
Counter Weights

	Counter Weight		Part No.
	X ₁	Weight	
i	0.528	0.110 (lbs)	502165
m	13.40	0.05 (kg)	502165



Coolant Delivery Systems

	Coolant Delivery System	
	Weight	Part No.
i	0.044 (lbs)	501157
m	0.02 (kg)	501157



B10-N: 10-13

B10-A: 69

B10-F

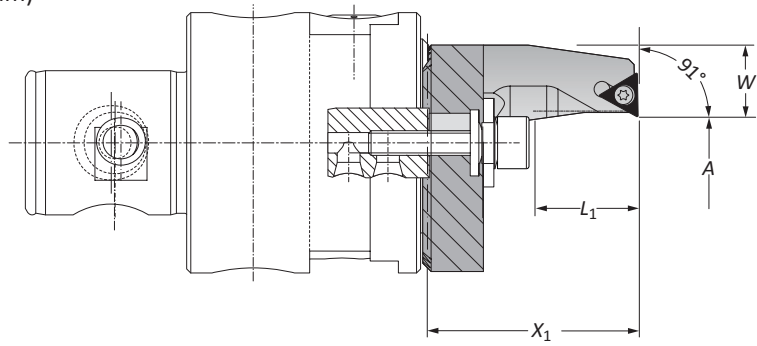
B10: xii-xiii

Key on B10-A: 1

i = Imperial (in)
m = Metric (mm)
Inserts sold separately

Outside Turning Insert Holders for Boring Heads

Diameter Range: 0.157" - 2.598" (4.00mm - 66.00mm)

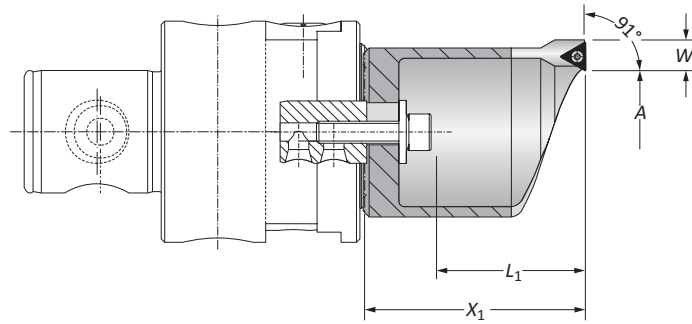


Type A Insert Holders | Diameter Range: 0.157" - 1.181" (4.00mm - 30.00mm)

	Boring Range		Insert Holder				Weight	Type	Insert Form	Part No.
	A	X ₁	L ₁	W						
i	0.157 - 0.689	1.594	0.787	0.653	0.220 (lbs)	A	20*	236081		
	0.650 - 1.181	1.988	1.181	0.437	0.220 (lbs)	A	20*	236082		
m	4.00 - 17.50	40.50	20.00	16.60	0.10 (kg)	A	20*	236081		
	16.50 - 30.00	50.50	30.00	11.10	0.10 (kg)	A	20*	236082		

NOTE: Clockwise and neutral execution

*Not suitable for indexable inserts with a radius of 0.031" (0.80mm)



Type B Insert Holders | Diameter Range: 1.142" - 2.598" (29.00mm - 66.00mm)

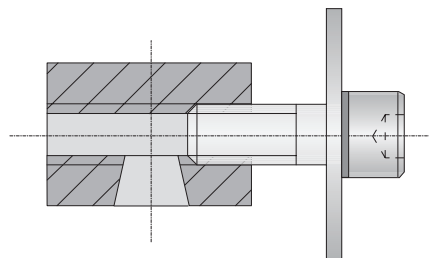
	Boring Range		Insert Holder				Weight	Type	Insert Form	Part No.
	A	X ₁	L ₁	W						
i	1.142 - 1.732	2.952	2.126	0.377	0.661 (lbs)	B	20*	236083		
	1.693 - 2.598	3.956	3.110	0.377	0.882 (lbs)	B	20*	236084		
m	29.00 - 44.00	75.50	54.00	9.60	0.30 (kg)	B	20*	236083		
	43.00 - 66.00	100.50	79.00	9.60	0.40 (kg)	B	20*	236084		

NOTE: Clockwise and neutral execution

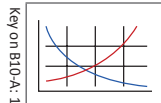
*Not suitable for indexable inserts with a radius of 0.031" (0.80mm)

Clamping Pieces for Outside Turning Insert Holders

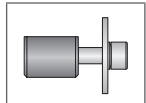
	Boring Range	Complete Part No.
m	4.00 - 30.00	236088
	29.00 - 66.00	236089



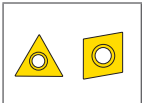
B10-N: 10-13



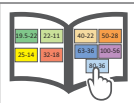
B10-A: 69



B10-F



B10: xii-xiii

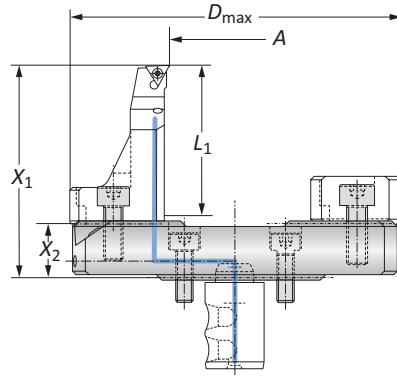


i = Imperial (in)
m = Metric (mm)
Inserts sold separately

A
B
C
D
E
F
G
H
I
J
K
L
M
N
INDEX

Outside Turning Serrated Slides | Insert Holders

Diameter Range: 0.078" - 4.488" (2.00mm - 114.00mm)



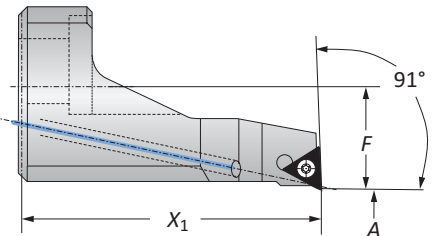
Outside Turning Serrated Slides

	Boring Range		Serrated Slide				Weight	Part No.
	A	X ₁	X ₂	L ₁	D _{max}			
i	0.078 - 1.181	2.874	0.630	2.165	3.396	0.771 (lbs)	501064	
	1.181 - 2.283	2.874	0.630	2.165	5.078	0.970 (lbs)	501065	
	2.283 - 3.385	3.110	0.866	2.165	6.181	1.322 (lbs)	501066	
	3.385 - 4.488	3.110	0.866	2.165	7.283	1.609 (lbs)	501067	
m	2.00 - 30.00	73.00	16.00	55.00	101.00	0.35 (kg)	501064	
	30.00 - 58.00	73.00	16.00	55.00	129.00	0.44 (kg)	501065	
	58.00 - 86.00	79.00	22.00	55.00	157.00	0.60 (kg)	501066	
	86.00 - 114.00	79.00	22.00	55.00	185.00	0.73 (kg)	501067	



Outside Turning Insert Holders

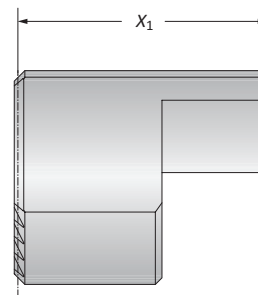
	Outside Turning Range		Insert Holder		Weight	Insert Form	Part No.
	A	X ₁	F				
i	0.079 - 4.488	2.244	0.776		0.331 (lbs)	20	502082
m	2.00 - 114.00	57.00	19.70		0.15 (kg)	20	502082



NOTE: Clockwise and neutral execution

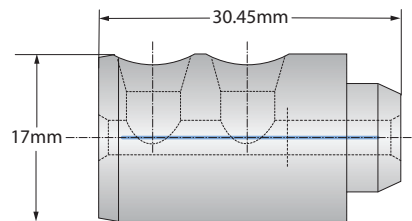
Counter Weights

Counter Weight			
X ₁	Weight	Part No.	
i	1.486	0.352 (lbs)	502183
m	37.75	0.16 (kg)	502183



Coolant Delivery Systems

Weight		Part No.
i	0.044 (lbs)	501157
m	0.02 (kg)	501157



Key on B10-A: 1

B10-N: 10-13

B10-A: 69

B10-F

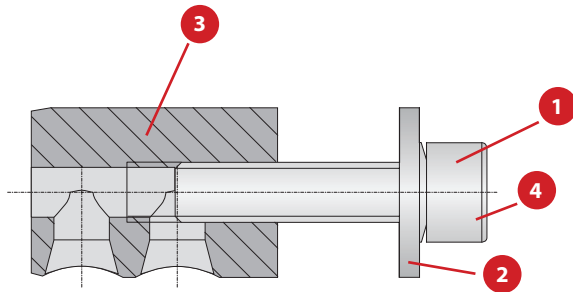
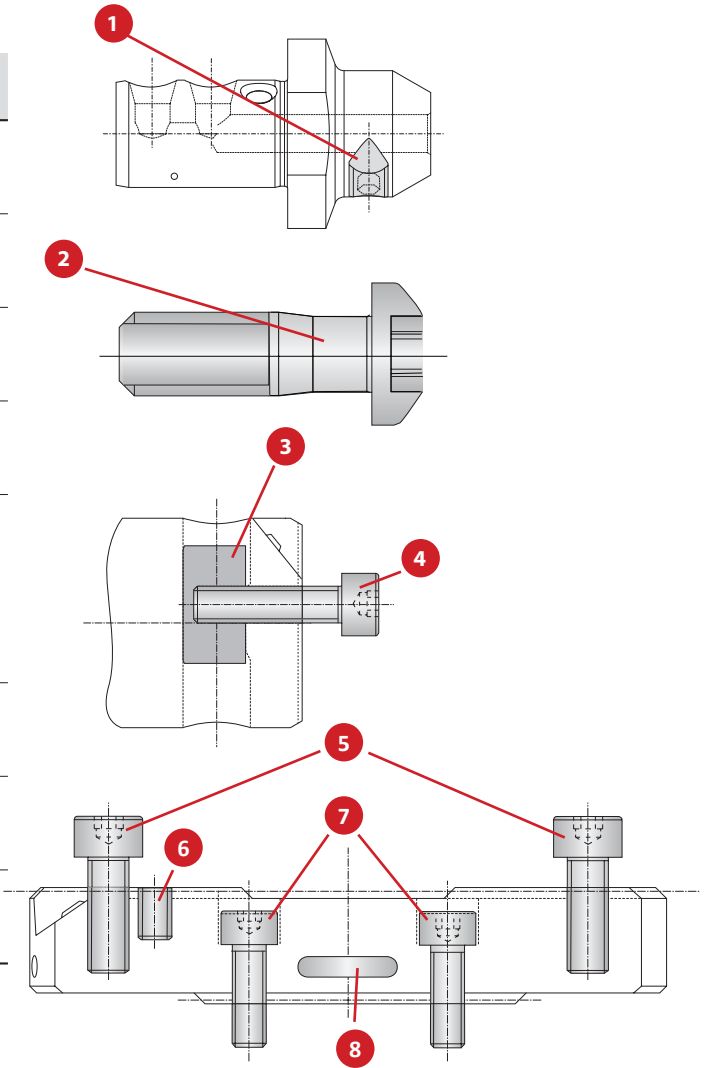
B10: xii-xiii

i = Imperial (in)
m = Metric (mm)

Inserts sold separately

Accessories

No.	Part	Size	Part No.
1	Set screw	s3	415244
2	Screw for securing insert holder	T25	415112
3	Clamping piece	-	145184
4	Cap screw for securing insert holders	s4	027154
5	Cap screw for securing insert holder/counter weight	s4	315248
6	Set screw - coolant	s1.5	114224
7	Cap screw for securing serrated slide	s4	115166
8	Sealing ring for coolant delivery	-	415386

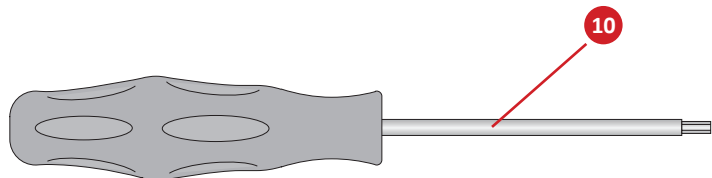
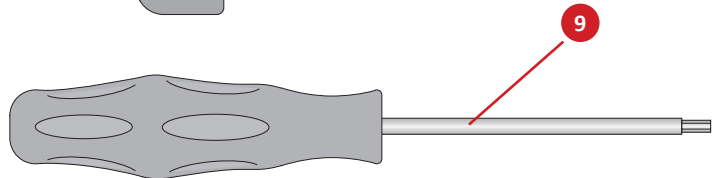
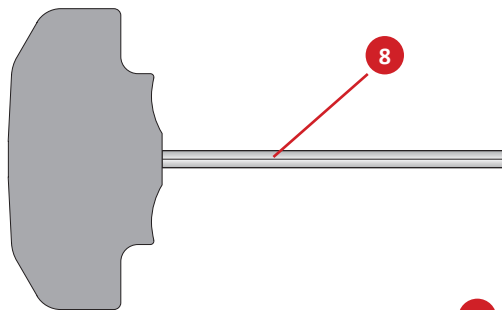
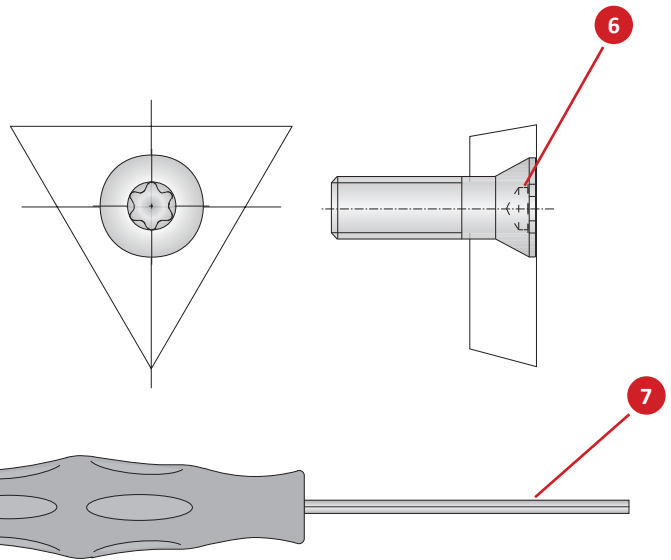
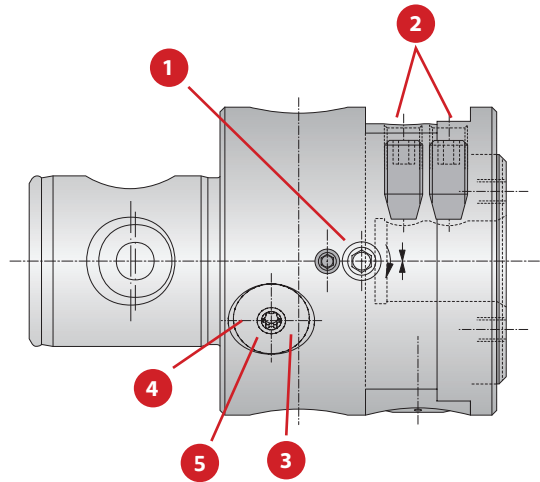


	Boring Range	Type	Hex Size	Clamping Screw Parts				Complete Part No.
				1 Cap Screw	2 Washer	3 Clamping Piece	4 Locking Washer	
i	0.157 - 1.181	A	s5	070153	315155	502180	215254	502080
	1.142 - 2.598	B	s5	070153	315156	502180	215254	502081
m	4.00 - 30.00	A	s5	070153	315155	502180	215254	502080
	29.00 - 66.00	B	s5	070153	315156	502180	215254	502081

Accessories

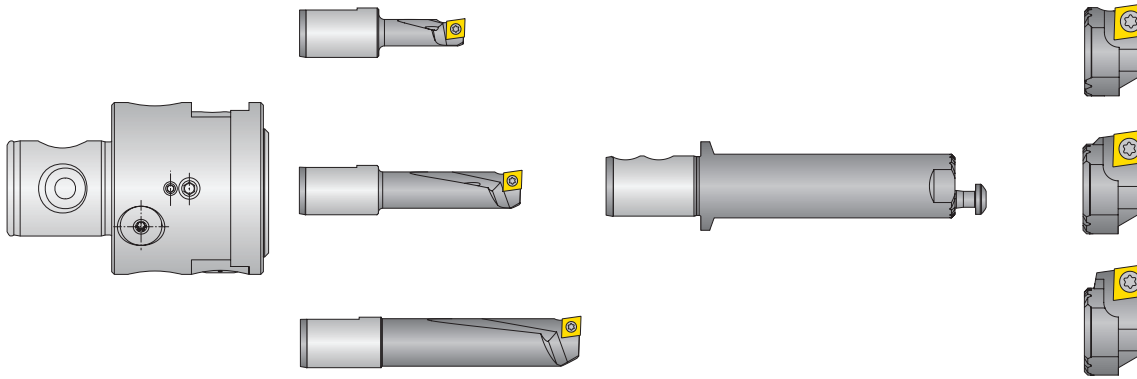
No.	Part	Insert Form	Size	Part No.
1	Clamping screw	-	-	415353
2	Set screw for clamping tool	-	-	215674
3	Battery cover	-	-	415895
4	Battery*	-	-	415896
5	Battery access cover with sealing ring	-	-	501016
6	Insert screws	Form 211 Form 20 Form 101	T6 T7 T8	215377 115535-1 115676-1
7	Hex driver	-	s1.5 s3	215472 115630
8	Hex driver	-	s4	115576-1
9	Torx driver	-	T6 T7 T8 T20	115537 115591 115590 215150
10	Torx driver	Form 211 Form 20 Form 101	T6 T7 T8	415507 415508 415514

*Always change two batteries
NOTE: Please use VARTA batteries



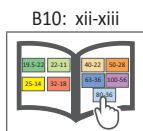
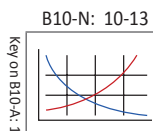
Kit Components

Insert Form 101 | Diameter Range: 0.393" - 1.259" (10.00mm - 32.00mm)



		Kit Components					
	Boring Range	Boring Head	Boring Bars	Serrated Tool Body	Insert Holders	Service Keys	Kit No.
i	0.393 - 1.259	504001	502012 502014 502016	502045	502052 502054 502056	115576 (s4) 415121 (T25) 115590 (T8)	104061
m	10.00 - 32.00	501001	502012 502014 502016	502045	502052 502054 502056	115576 (s4) 415121 (T25) 115590 (T8)	103061

NOTE: Inserts sold separately



i = Imperial (in)

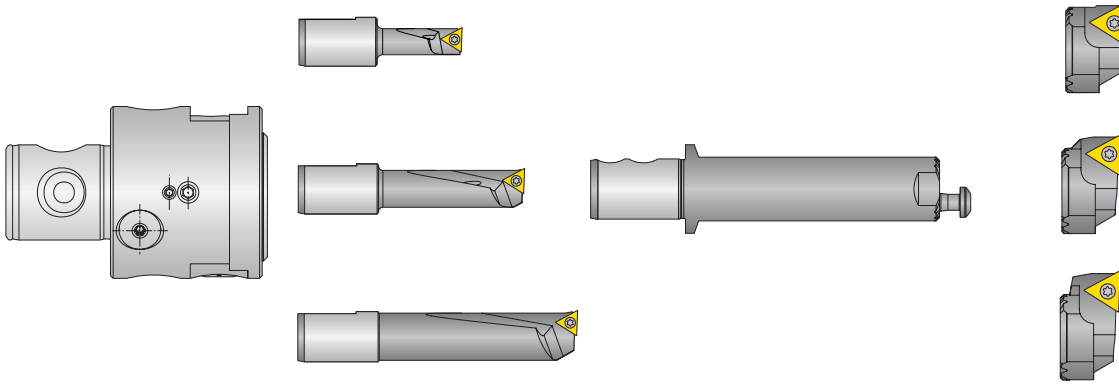
m = Metric (mm)

Inserts sold separately

IMPORTANT: Max spindle speed refers to maximum possible speed for an individual boring head and is not a recommended parameter. Refer to page B10-N: 10 for recommended application-specific parameters. Factory technical assistance is available for your specific applications through our Application Engineering department.
ext: 7611 | email: appeng@alliedmachine.com

Kit Components

Insert Form 20 | Diameter Range: 0.393" - 1.259" (10.00mm - 32.00mm)



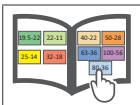
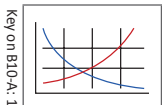
		Kit Components					
	Boring Range	Boring Head	Boring Bars	Serrated Tool Body	Insert Holders	Service Keys	Kit No.
i	0.393 - 1.259	504001	502001 502003 502005	502045	502046 502048 502050	115576 (s4) 415121 (T25) 115591 (T7)	104062
m	10.00 - 32.00	501001	502001 502003 502005	502045	502046 502048 502050	115576 (s4) 415121 (T25) 115591 (T7)	103062

NOTE: Inserts sold separately



B10-N: 10-13

B10: xii-xiii



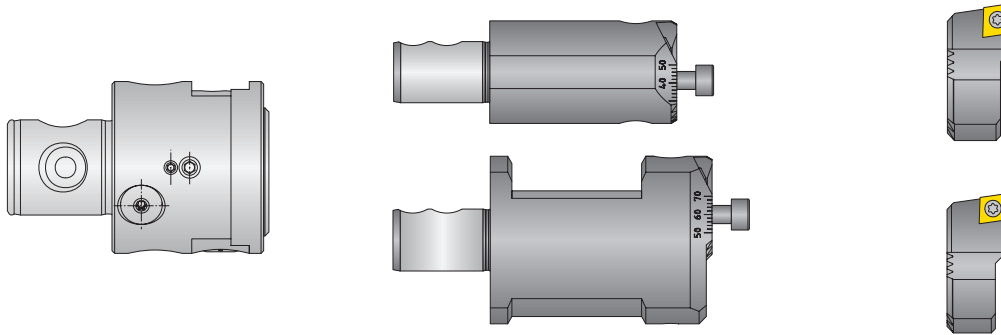
i = Imperial (in)
m = Metric (mm)

Inserts sold separately

IMPORTANT: Max spindle speed refers to maximum possible speed for an individual boring head and is not a recommended parameter. Refer to page B10-N: 10 for recommended application-specific parameters. Factory technical assistance is available for your specific applications through our Application Engineering department.
ext: 7611 | email: appeng@alliedmachine.com

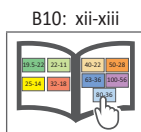
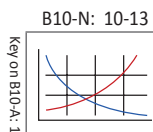
Kit Components

Insert Form 101 | Diameter Range: 1.259" - 2.677" (32.00mm - 68.00mm)



	Kit Components					Kit No.
	Boring Range	Boring Head	Serrated Tool Body	Insert Holders	Service Keys	
i	1.259 - 2.667	504001	501052 501053	502058 502059	115576 (s4) 115590 (T8)	104063
m	32.00 - 68.00	501001	501052 501053	502058 502059	115576 (s4) 115590 (T8)	103063

NOTE: Inserts sold separately

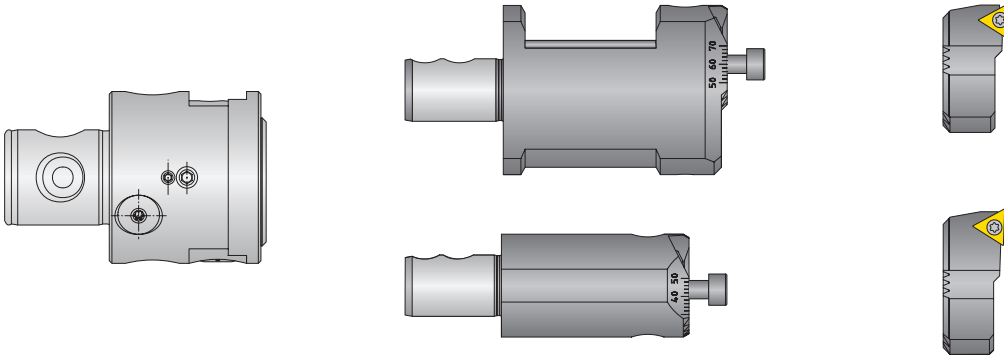


i = Imperial (in)
m = Metric (mm)
 Inserts sold separately

IMPORTANT: Max spindle speed refers to maximum possible speed for an individual boring head and is not a recommended parameter. Refer to page B10-N: 10 for recommended application-specific parameters. Factory technical assistance is available for your specific applications through our Application Engineering department.
 ext: 7611 | email: appeng@alliedmachine.com

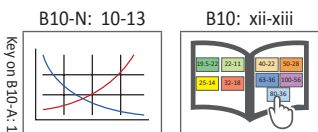
Kit Components

Insert Form 20 | Diameter Range: 1.259" - 2.677" (32.00mm - 68.00mm)



Kit Components					
Boring Range	Boring Head	Serrated Tool Body	Insert Holders	Service Keys	Kit No.
i	504001	501052	502060	115576 (s4)	104064
		501053	502061	115591 (T7)	
m	501001	501052	502060	115576 (s4)	103064
		501053	502061	115591 (T7)	

NOTE: Inserts sold separately



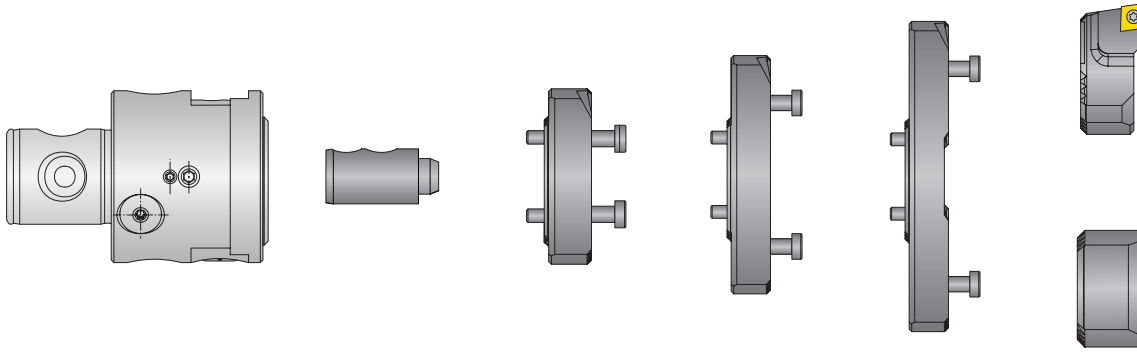
i = Imperial (in)
m = Metric (mm)

Inserts sold separately

IMPORTANT: Max spindle speed refers to maximum possible speed for an individual boring head and is not a recommended parameter. Refer to page B10-N: 10 for recommended application-specific parameters. Factory technical assistance is available for your specific applications through our Application Engineering department.
ext: 7611 | email: appeng@alliedmachine.com

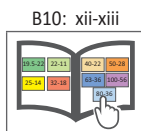
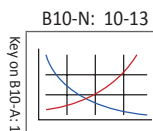
Kit Components

Insert Form 101 | Diameter Range: 2.667" - 5.984" (68.00mm - 152.00mm)



		Kit Components						
	Boring Range	Boring Head	Serrated Slides	Insert Holder	Counter Weight	Coolant Delivery	Service Keys	Kit No.
i	2.667 - 5.984	504001	501054 501055 501056	502064	502165	501157	115576 (s4) 115590 (T8)	104065
m	68.00 - 152.00	501001	501054 501055 501056	502064	502165	501157	115576 (s4) 115590 (T8)	103065

NOTE: Inserts sold separately



i = Imperial (in)

m = Metric (mm)

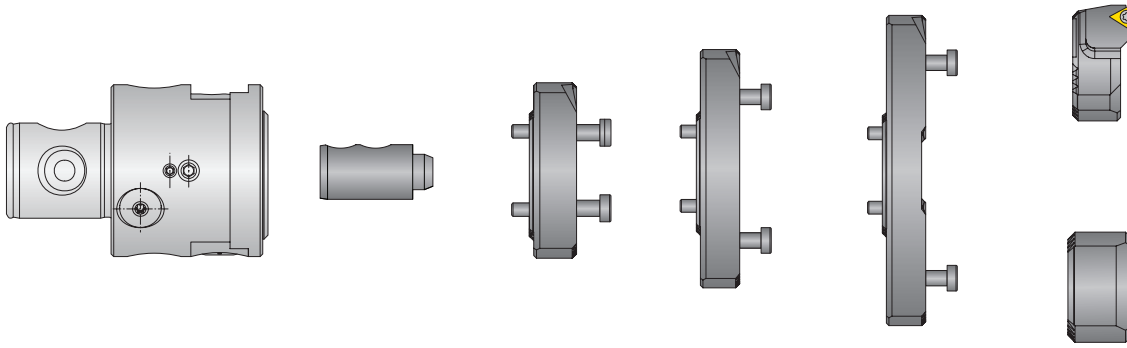
Inserts sold separately

IMPORTANT: Max spindle speed refers to maximum possible speed for an individual boring head and is not a recommended parameter. Refer to page B10-N: 10 for recommended application-specific parameters. Factory technical assistance is available for your specific applications through our Application Engineering department.

ext: 7611 | email: appeng@alliedmachine.com

Kit Components

Insert Form 20 | Diameter Range: 2.667" - 5.984" (68.00mm - 152.00mm)



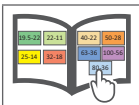
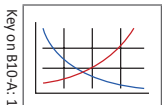
		Kit Components						
	Boring Range	Boring Head	Serrated Slides	Insert Holder	Counter Weight	Coolant Delivery	Service Keys	Kit No.
i	2.667 - 5.984	504001	501054 501055 501056	502069	502165	501157	115576 (s4) 115591 (T7)	104066
m	68.00 - 152.00	501001	501054 501055 501056	502069	502165	501157	115576 (s4) 115591 (T7)	103066

NOTE: Inserts sold separately



B10-N: 10-13

B10: xii-xiii



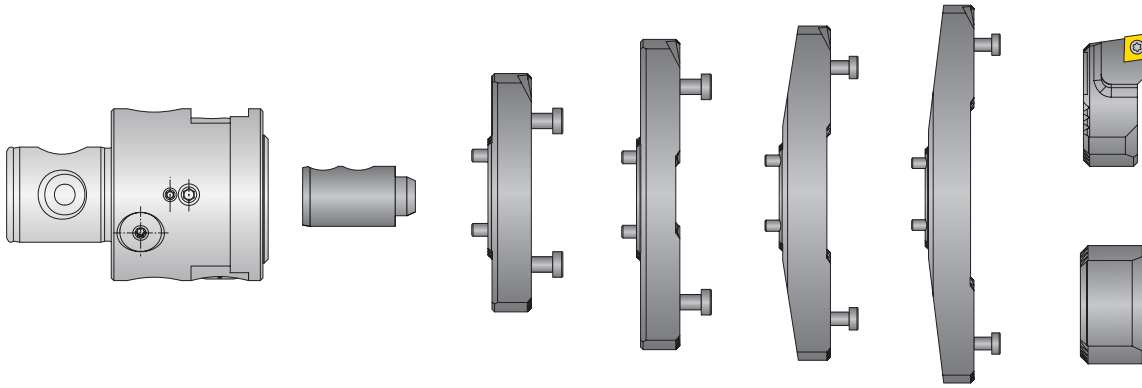
i = Imperial (in)
m = Metric (mm)

Inserts sold separately

IMPORTANT: Max spindle speed refers to maximum possible speed for an individual boring head and is not a recommended parameter. Refer to page B10-N: 10 for recommended application-specific parameters. Factory technical assistance is available for your specific applications through our Application Engineering department.
ext: 7611 | email: appeng@alliedmachine.com

Kit Components

Insert Form 101 | Diameter Range: 3.779" - 8.188" (96.00mm - 208.00mm)



		Kit Components						
	Boring Range	Boring Head	Serrated Slides	Insert Holder	Counter Weight	Coolant Delivery	Service Keys	Kit No.
i	3.779 - 8.188	504001	501055	502064	502165	501157	115576 (s4)	104081
			501056				115590 (T8)	
			501058					
			501059					
m	96.00 - 208.00	501001	501055	502064	502165	501157	115576 (s4)	103081
			501056				115590 (T8)	
			501058					
			501059					

NOTE: Inserts sold separately



Key on B10-A: 1

B10-N: 10-13

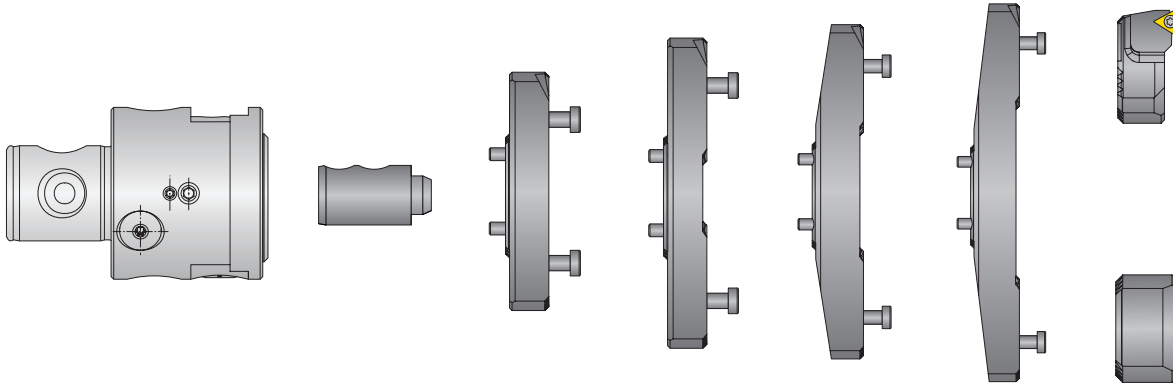
B10: xii-xiii

i = Imperial (in)
 m = Metric (mm)
 Inserts sold separately

IMPORTANT: Max spindle speed refers to maximum possible speed for an individual boring head and is not a recommended parameter. Refer to page B10-N: 10 for recommended application-specific parameters. Factory technical assistance is available for your specific applications through our Application Engineering department.
 ext: 7611 | email: appeng@alliedmachine.com

Kit Components

Insert Form 20 | Diameter Range: 3.779" - 8.188" (96.00mm - 208.00mm)



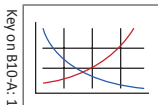
		Kit Components						
	Boring Range	Boring Head	Serrated Slides	Insert Holder	Counter Weight	Coolant Delivery	Service Keys	Kit No.
i	3.779 - 8.188	504001	501055 501056 501058 501059	502069	502165	501157	115576 (s4) 115591 (T7)	104080
m	96.00 - 208.00	501001	501055 501056 501058 501059	502060	502165	501157	115576 (s4) 115591 (T7)	103080

NOTE: Inserts sold separately



B10-N: 10-13

B10: xii-xiii



Key on B10-A: 1

i = Imperial (in)
m = Metric (mm)

Inserts sold separately

IMPORTANT: Max spindle speed refers to maximum possible speed for an individual boring head and is not a recommended parameter. Refer to page B10-N: 10 for recommended application-specific parameters. Factory technical assistance is available for your specific applications through our Application Engineering department.
ext: 7611 | email: appeng@alliedmachine.com

SECTION

B10-B

Fine Boring

Wohlhaupter® Fine Boring

320 (310) | 365 (364) | 565 (564) | 538 (537)

► Diameter Range: 0.787"- 8.070" (20.00mm - 205.00mm)



Boring has never been more exciting.

Wohlhaupter's fine boring systems are offered in both vernier and easy-to-read digital readout boring heads and cassettes. The lightweight Alu-Line serrated tool bodies reduce weight on the machine spindle.

Your safety and the safety of others is very important. This catalog contains important safety messages. Always read and follow all safety precautions.



This triangle is a safety hazard symbol. It alerts you to potential safety hazards that can cause tool failure and serious injury.

When you see this symbol in the catalog, look for a related safety message that may be near this triangle or referred to in the nearby text.

There are safety signal words also used in the catalog. Safety messages follow these words.

WARNING

WARNING (shown above) means that failure to follow the precautions in this message could result in tool failure and serious injury.

NOTICE means that failure to follow the precautions in this message could result in damage to the tool or machine but not result in personal injury.

NOTE and **IMPORTANT** are also used. These are important that you read and follow but are not safety-related.

Visit www.alliedmachine.com for the most up-to-date information and procedures.

Applicable Industries



Aerospace



Agriculture



Automotive



Firearms



General
Machining



Oil & Gas

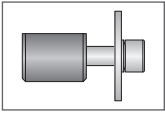


Renewable
Energy

Fine Boring Tools Table of Contents

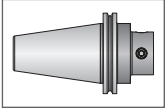
Reference Icons

The following icons will appear throughout the catalog to help you navigate between products.



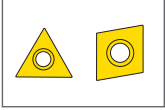
Clamping Elements

For use with insert holders and boring heads



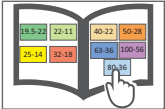
Shanks

A variety of shanks for different machines



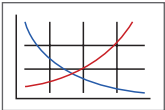
Inserts

For use with insert holder boring heads and boring bars using indexable inserts



MVS Connection Color Guide

Detailed instructions and information regarding the MVS connection(s)



Recommended Cutting Data

Speed and feed recommendations for optimum and safe boring

320 (310)

Product Overview	2 - 3
Boring Heads	4 - 5
Insert Holders	6
Accessories	7

Balance 365 (364) 465 (464)

Product Overview	8 - 9
Boring Heads	10 - 11
Insert Holders	12
Accessories	13

Digital Balance 565 (564)

Product Overview	14 - 15
Boring Heads	16 - 17
Insert Holders	18
Accessories	19

538 (537) Cassettes

Product Overview	20 - 21
Analog Cassettes	22
3E ^{TECH} Digital Cassettes	23
Serrated Tool Bodies Insert Holders	24
3E ^{TECH} Accessories	25

Series	Diameter Range	
	Imperial (inch)	Metric (mm)
320 (310)	0.787 - 8.070	20.00 - 205.00
365 (364)	0.787 - 8.070	20.00 - 205.00
565 (564)	1.968 - 8.070	50.00 - 205.00
338 (337)	3.937 - 8.070	100.00 - 205.00
538 (537)	3.937 - 8.070	100.00 - 205.00

320 (310) Product Overview

320 (310) FINE BORING

Engineered with wear and tear in mind.

Wohlhaupter's 320 (310) boring head is made from steel for \varnothing 0.787" - 4.077" (20.00mm - 103.00mm) and coated Alu-Line material for \varnothing 3.937" - 8.070" (100.00mm - 205.00mm) boring heads to protect against corrosion and wear. The insert holder can be rotated quickly for reverse machining.

- Diameter range: 0.787" - 4.055" (20.00mm - 103.00mm)
Alu-Line: 3.937" - 8.070" (100.00mm - 205.00mm)
- Special coating on Alu-Line provides hard, durable surface
- Alu-Line body reduces tool weight by 50%, reducing stress on the spindle
- Coolant through
- Vernier diameter adjustment of 0.0001" (0.002mm)
- Max cutting speed: 3,281 SFM (1,000 m/min)

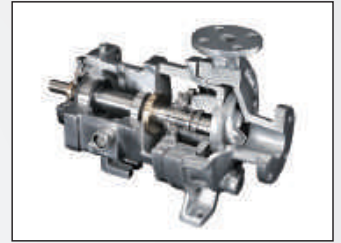


IMPORTANT: Max spindle speed refers to maximum possible speed for an individual boring head and is not a recommended parameter. Refer to page B10-N: 10 for recommended application-specific parameters. Factory technical assistance is available for your specific applications through our Application Engineering department.
ext: 7611 | email: appeng@alliedmachine.com

WOHLHAUPTER® 320 BORING HEAD with NOVI^{TECH}®

Time is money, so make it count.

If you want to improve your machining processes, cycle time is a key factor to examine. After all, the longer it takes you to produce a part, the fewer parts you can produce in a given time. Our customer was experiencing lengthy cycle times while machining pumps from gray cast iron. The parts required 3 bored holes, each with a 12" depth and a 22" reach.



In order to free up machine time, the customer questioned if their process could be more efficient. The main objectives were to decrease the current cycle time and to maintain a 160 Ra finish, which was required to perform the burnishing process that followed.

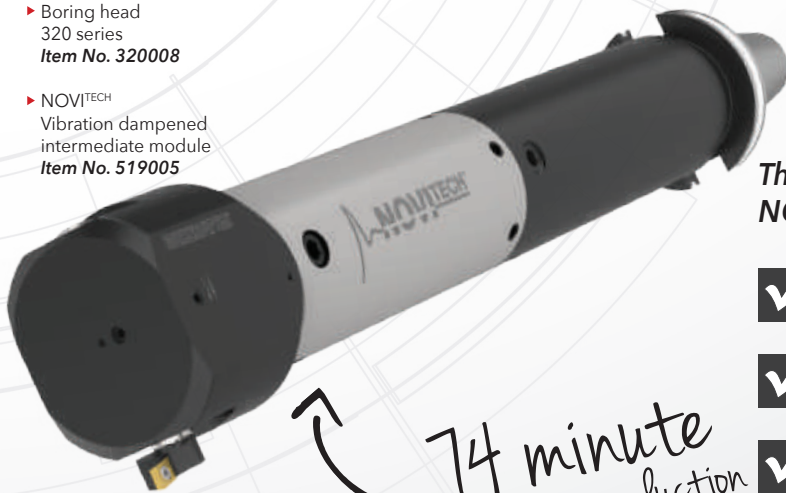
The previous tooling ran at a slow 0.47 IPM and a paint-drying 84-minute cycle time to bore the three holes on each part. With our **Wohlhaupter 320 Boring Head** utilizing the **NOVI^{TECH}™ Vibration Dampened Module**, the customer increased to a more efficient 3.75 IPM and slashed the cycle time to 10.5 minutes (*an 87% decrease*). Along with the increased speed, the Wohlhaupter tooling also achieved a 155 Ra finish, accomplishing everything the customer needed.

The Wohlhaupter solution reduced the process cycle time by 74 minutes. Improvements in speed and cycle time can free up machine hours, which means more throughput and higher profit for your company. **Are you losing money on applications with substantially long cycle times?**

		Measure	Competitor Boring Head	320 Boring Head w/ NOVI ^{TECH}
Product:	Wohlhaupter 320 Boring Head with NOVI ^{TECH}	RPM	39	469
Objectives:	(1) Decrease cycle time (2) Maintain 160 Ra hole finish	Speed Rate	56 SFM	675 SFM
Industry:	Oil & gas/petrochemical	Feed Rate	0.012 IPR	0.008 IPR
Part:	Pump	Penetration Rate	0.47 IPM	3.75 IPM
Material:	Gray cast iron	Cycle Time (per hole)	27 min 54 sec	3 min 32 sec
Hole Ø:	5.500"	Hole Finish	160 Ra	155 Ra
Hole Depth:	12.000"			

▶ Boring head
320 series
Item No. 320008

▶ NOVI^{TECH}
Vibration dampened
intermediate module
Item No. 519005



The Wohlhaupter 320 boring head with the NOVI^{TECH}™ vibration dampened module provided:

- ✓ Increased penetration rate
- ✓ Decreased cycle time
- ✓ Excellent finish in deep hole application

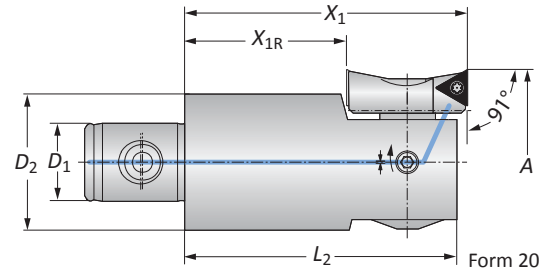
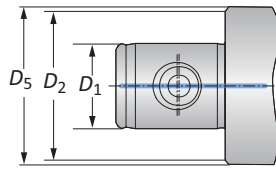
*74 minute
cycle time reduction*

Boring Heads

Diameter Range: 0.787" - 4.055" (20.00mm - 103.00mm)



Form 101



Form 20

320 Boring Heads

MVS Connection	Boring Range	Boring Head					Weight	Insert Form	Part No.	
		$D_2 D_1$	A	X_1	X_{1R}	L_2			D_5	Insert Holder
19 - 11	0.787 - 0.965	1.810	-	1.693	0.748	0.221 (lbs)	20	364077*	320010	
22 - 11	0.965 - 1.161	1.810	-	1.713	0.906	0.331 (lbs)	20	210059	320020	
22 - 11	0.965 - 1.161	1.810	-	1.713	0.906	0.331 (lbs)	101	210069	320020	
25 - 14	1.142 - 1.457	2.200	-	2.106	1.024	0.441 (lbs)	20	210059	320001	
25 - 14	1.142 - 1.457	2.200	-	2.106	1.024	0.441 (lbs)	101	210069	320001	
25 - 14	1.417 - 1.732	2.200	1.100	2.106	1.024	0.441 (lbs)	20	210052	320001	
25 - 14	1.417 - 1.732	2.200	1.100	2.106	1.024	0.441 (lbs)	101	210062	320001	
32 - 18	1.693 - 2.126	2.590	1.490	2.500	-	0.882 (lbs)	20	210052	320003	
32 - 18	1.693 - 2.126	2.590	1.490	2.500	-	0.882 (lbs)	101	210062	320003	
40 - 22	2.087 - 2.598	2.950	1.530	2.854	-	1.543 (lbs)	20	210020	320004	
40 - 22	2.087 - 2.598	2.950	1.530	2.854	-	1.543 (lbs)	101	210063	320004	
40 - 22	2.087 - 2.598	2.950	1.530	2.854	-	1.543 (lbs)	103	210064	320004	
50 - 28	2.559 - 3.267	2.950	1.530	2.854	-	2.646 (lbs)	20	210020	320005	
50 - 28	2.559 - 3.267	2.950	1.530	2.854	-	2.646 (lbs)	101	210063	320005	
50 - 28	2.559 - 3.267	2.950	1.530	2.854	-	2.646 (lbs)	103	210064	320005	
63 - 36	3.228 - 4.055	3.540	2.120	3.445	-	4.850 (lbs)	20	210020	320006	
63 - 36	3.228 - 4.055	3.540	2.120	3.445	-	4.850 (lbs)	101	210063	320006	
63 - 36	3.228 - 4.055	3.540	2.120	3.445	-	4.850 (lbs)	103	210064	320006	

*Not suitable for indexable inserts with a radius of 0.031" (0.80mm)

NOTE: X_{1R} = rotated insert holder for reverse machining

NOTE: Insert holders and inserts sold separately

310 Boring Heads

MVS Connection	Boring Range	Boring Head					Weight	Insert Form	Part No.	
		$D_2 D_1$	A	X_1	X_{1R}	L_2			D_5	Insert Holder
19 - 11	20.00 - 24.50	46.00	-	43.00	19.00	0.10 (kg)	20	364077*	310010	
22 - 11	24.50 - 29.50	46.00	-	43.50	23.00	0.15 (kg)	20	210059	310020	
22 - 11	24.50 - 29.50	46.00	-	43.50	23.00	0.15 (kg)	101	210069	310020	
25 - 14	29.00 - 37.00	56.00	-	53.50	26.00	0.20 (kg)	20	210059	310001	
25 - 14	29.00 - 37.00	56.00	-	53.50	26.00	0.20 (kg)	101	210069	310001	
25 - 14	36.00 - 44.00	56.00	28.00	53.50	26.00	0.20 (kg)	20	210052	310001	
25 - 14	36.00 - 44.00	56.00	28.00	53.50	26.00	0.20 (kg)	101	210062	310001	
32 - 18	43.00 - 54.00	66.00	38.00	63.50	-	0.40 (kg)	20	210052	310003	
32 - 18	43.00 - 54.00	66.00	38.00	63.50	-	0.40 (kg)	101	210062	310003	
40 - 22	53.00 - 65.90	75.00	39.00	72.50	-	0.70 (kg)	20	210020	310004	
40 - 22	53.00 - 65.90	75.00	39.00	72.50	-	0.70 (kg)	101	210063	310004	
40 - 22	53.00 - 65.90	75.00	39.00	72.50	-	0.70 (kg)	103	210064	310004	
50 - 28	65.00 - 83.00	75.00	39.00	72.50	-	1.20 (kg)	20	210020	310005	
50 - 28	65.00 - 83.00	75.00	39.00	72.50	-	1.20 (kg)	101	210063	310005	
50 - 28	65.00 - 83.00	75.00	39.00	72.50	-	1.20 (kg)	103	210064	310005	
63 - 36	82.00 - 103.00	90.00	54.00	87.50	-	2.20 (kg)	20	210020	310006	
63 - 36	82.00 - 103.00	90.00	54.00	87.50	-	2.20 (kg)	101	210063	310006	
63 - 36	82.00 - 103.00	90.00	54.00	87.50	-	2.20 (kg)	103	210064	310006	

*Not suitable for indexable inserts with a radius of 0.031" (0.80mm)

NOTE: X_{1R} = rotated insert holder for reverse machining

NOTE: Insert holders and inserts sold separately

i = Imperial (in)

m = Metric (mm)

IMPORTANT: Max spindle speed refers to maximum possible speed for an individual boring head and is not a recommended parameter. Refer to page B10-N: 10 for recommended application-specific parameters. Factory technical assistance is available for your specific applications through our Application Engineering department.

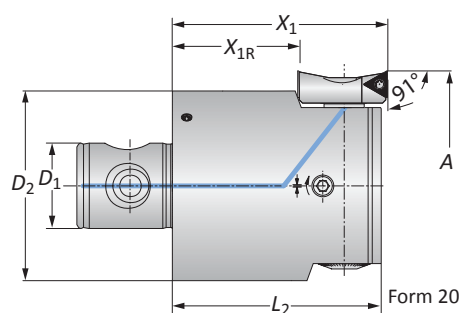
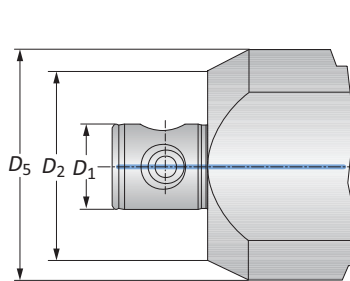
ext: 7611 | email: appeng@alliedmachine.com

Boring Heads

Alu-Line | Diameter Range: 3.937" - 8.070" (100.00mm - 205.00mm)



Form 101



Form 20

Alu-Line 320 Boring Heads

	MVS Connection	Boring Range	Boring Head				Weight	Insert Form	Part No.	
			D_2 D_1	A	X_1	X_{1R}			L_2	D_5
i	80 - 36	3.937 - 5.118	3.543	2.126	3.445	3.150	3.086 (lbs)	20	210020	320007
	80 - 36	3.937 - 5.118	3.543	2.126	3.445	3.150	3.086 (lbs)	101	210063	320007
	80 - 36	3.937 - 5.118	3.543	2.126	3.445	3.150	3.086 (lbs)	103	210064	320007
	80 - 36	4.921 - 6.594	3.543	2.126	3.445	3.150	3.968 (lbs)	20	210020	320008
	80 - 36	4.921 - 6.594	3.543	2.126	3.445	3.150	3.968 (lbs)	101	210063	320008
	80 - 36	4.921 - 6.594	3.543	2.126	3.445	3.937	3.968 (lbs)	103	210064	320008
	80 - 36	6.397 - 8.070	3.543	2.126	3.445	3.937	5.291 (lbs)	20	210020	320009
	80 - 36	6.397 - 8.070	3.543	2.126	3.445	3.937	5.291 (lbs)	101	210063	320009
	80 - 36	6.397 - 8.070	3.543	2.126	3.445	3.937	5.291 (lbs)	103	210064	320009

NOTE: X_{1R} = rotated insert holder for reverse machining

NOTE: Insert holders and inserts sold separately

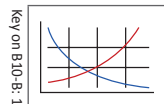
Alu-Line 310 Boring Heads

	MVS Connection	Boring Range	Boring Head				Weight	Insert Form	Part No.	
			D_2 D_1	A	X_1	X_{1R}			L_2	D_5
m	80 - 36	100.00 - 130.00	90.00	54.00	87.50	80.00	1.40 (kg)	20	210020	310007
	80 - 36	100.00 - 130.00	90.00	54.00	87.50	80.00	1.40 (kg)	101	210063	310007
	80 - 36	100.00 - 130.00	90.00	54.00	87.50	80.00	1.40 (kg)	103	210064	310007
	80 - 36	125.00 - 167.50	90.00	54.00	87.50	100.00	1.80 (kg)	20	210020	310008
	80 - 36	125.00 - 167.50	90.00	54.00	87.50	100.00	1.80 (kg)	101	210063	310008
	80 - 36	125.00 - 167.50	90.00	54.00	87.50	100.00	1.80 (kg)	103	210064	310008
	80 - 36	162.50 - 205.00	90.00	54.00	87.50	135.00	2.40 (kg)	20	210020	310009
	80 - 36	162.50 - 205.00	90.00	54.00	87.50	135.00	2.40 (kg)	101	210063	310009
	80 - 36	162.50 - 205.00	90.00	54.00	87.50	135.00	2.40 (kg)	103	210064	310009

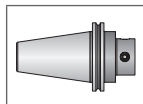
NOTE: X_{1R} = rotated insert holder for reverse machining

NOTE: Insert holders and inserts sold separately

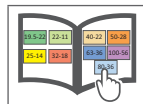
B10:-N: 10-13



B10-H



B10: xii-xiii



i = Imperial (in)

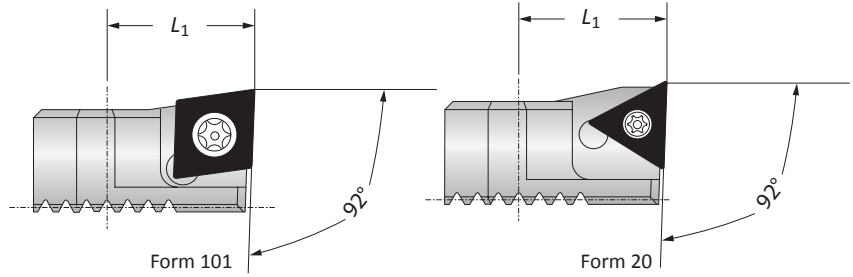
m = Metric (mm)

IMPORTANT: Max spindle speed refers to maximum possible speed for an individual boring head and is not a recommended parameter. Refer to page B10-N: 10 for recommended application-specific parameters. Factory technical assistance is available for your specific applications through our Application Engineering department.

ext: 7611 | email: appeng@alliedmachine.com

Insert Holders for Abrasive Materials | Serrated Shims

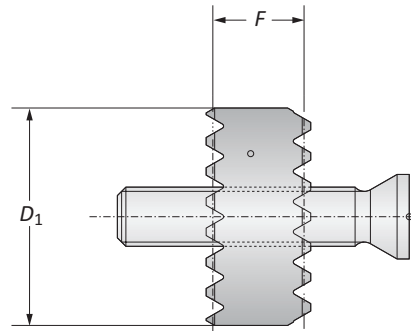
Diameter Range: 2.559" - 8.070" (65.00mm - 205.00mm)



Insert Holders

		Insert Holder		Part No.	
Boring Range		L_1	Weight	Insert Form	
i	2.559 - 8.070	0.709	0.066 (lbs)	20	211061
	2.559 - 8.070	0.709	0.066 (lbs)	101	211063
	2.559 - 8.070	0.709	0.066 (lbs)	103	211065
m	65.00 - 205.00	18.00	0.03 (kg)	20	211061
	65.00 - 205.00	18.00	0.03 (kg)	101	211063
	65.00 - 205.00	18.00	0.03 (kg)	103	211065

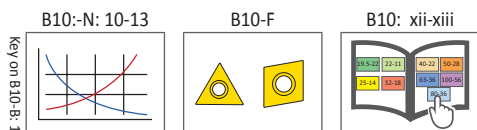
NOTE: 320 (310) insert holders are used for abrasive materials to protect boring head against chip wash



Serrated Shims

		Serrated Shim		Part No.	
Boring Range		F	D_1	Serrated Shim	Set Screw
i	1.141 - 2.125	0.157	0.472	310070	415360
	1.141 - 2.125	0.236	0.472	310071	415342
	2.086 - 8.070	0.196	0.708	310074	515595
	2.086 - 8.070	0.295	0.708	310075	515596
m	29.00 - 54.00	4.00	12.00	310070	415360
	29.00 - 54.00	6.00	12.00	310071	415342
	53.00 - 205.00	5.00	18.00	310074	515595
	53.00 - 205.00	7.50	18.00	310075	515596

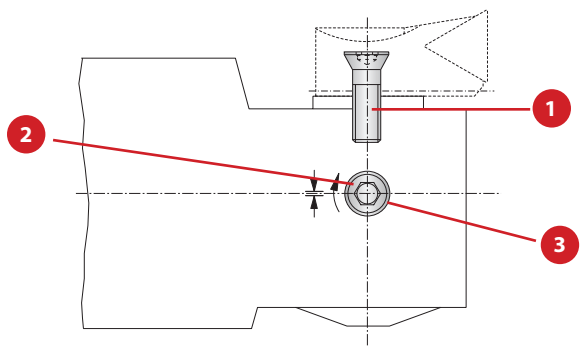
NOTE: Serrated shim must be used with required screw



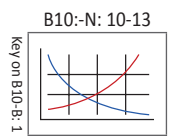
i = Imperial (in)
m = Metric (mm)
Inserts sold separately



Accessories

Screws



Boring Head	1 Countersunk Screw		2 Clamping Screw		3 Ball
	Part No.	Service Key	Part No.	Service Key	Part No.
310010	215323	T15 / H	364260	s2.0 / A	364270
310020	215338	T15 / H	364138	s2.5 / A	364139
310001	215338	T15 / H	115136	s2.5 / A	-
310003	215338	T15 / H	115180	s2.5 / A	-
310004	215462	T20 / H	115249	s4 / B	-
310005	215462	T20 / H	115185	s4 / B	-
310006	215462	T20 / H	315279	s4 / B	-
310007	215462	T20 / H	115186	s4 / B	-
310008	215462	T20 / H	115186	s4 / B	-
310009	215462	T20 / H	115186	s4 / B	-



 = Imperial (in)
 = Metric (mm)

365 (364) and 465 (464) Product Overview

Balance 365 (364) and 465 (464) FINE BORING

Boring for the future.

Wohlhaupter® 365 (364) and 465 (464) balanced boring heads offer precision boring with automatic balancing. The 465 (464) boring heads feature a highly accurate vernier scale for adjustments. Our boring heads are specifically engineered to minimize the residual imbalance produced by insert holder displacement. Wohlhaupter Alu-Line boring heads, ranging from 2.559" - 8.070" (65.00mm - 205.00mm), offer a lightweight aluminum design with a wear resistant coating that reduces weight on the spindle up to 50% yet remains durable in challenging boring applications. The insert holder can also be rotated for reverse machining jobs.

- Steel boring head diameter range: 0.787" - 2.579" (20.00mm - 65.50mm)
- Alu-Line boring head diameter range: 2.559" - 8.070" (65.00mm - 205.00mm)
- Special coating on Alu-Line for wear-resistant surface
- Alu-Line body reduces tool weight by 50%, reducing stress on the spindle
- Coolant through
- Vernier diameter adjustment of 0.0001" (0.002mm)
- Internal balancing improves tool life and surface finish
- Insert holder can be rotated for back boring jobs



IMPORTANT: Max spindle speed refers to maximum possible speed for an individual boring head and is not a recommended parameter. Refer to page B10-N: 10 for recommended application-specific parameters. Factory technical assistance is available for your specific applications through our Application Engineering department.
ext: 7611 | email: appeng@alliedmachine.com

WOHLHAUPTER® 465 (464) BORING HEADS

ANALOG BORING HEAD PART NUMBER CONVERSION	
Old Part No.	<i>NEW</i> Part No.
365030	<i>No Change</i>
365031	<i>No Change</i>
365032	<i>No Change</i>
365033	<i>No Change</i>
365034	465035
365045	465036
365046	465037
365047	465038
365048	465039
365049	465040
<hr/>	
364030	<i>No Change</i>
364031	<i>No Change</i>
364032	<i>No Change</i>
364033	<i>No Change</i>
364034	464035
364045	464036
364046	464037
364047	464038
364048	464039
364049	464040

✓ Features proven 565 clamping mechanism

✓ High-production fine boring

✓ Easy diameter adjustment

✓ Imperial and metric

Aluminum bodies with *wear-resistant* coating from 2.559" - 8.070" (65.00mm - 205.00mm)



Highly accurate adjustments through *vernier* scale



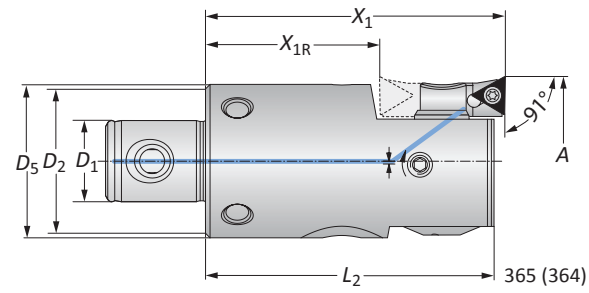
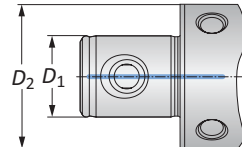
Equipped with *self-balancing* mechanism

365 (364) / 465 (464) Analog Boring Heads

Diameter Range: 0.787" - 2.579" (20.00mm - 65.50mm)



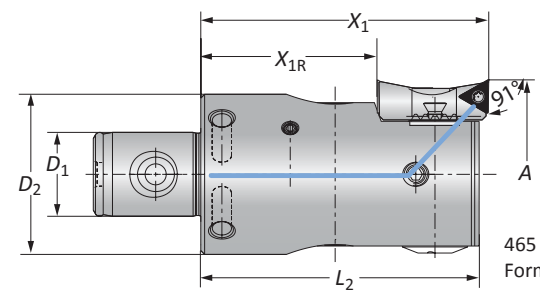
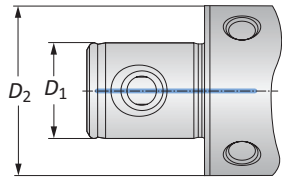
365 (364)
Form 101



365 (364)
Form 20



465 (464)
Form 101



465 (464)
Form 20

365/465 Boring Heads

MVS Connection	Boring Range	Boring Head					Weight	Insert Form	Part No.	
		$D_2 D_1$	A	X_1	X_{1R}	L_2			D_5	Insert Holder
	19 - 11	0.787 - 0.965	1.811	-	1.693	-	0.198 (lbs)	20	364077*	365030
	22 - 11	0.965 - 1.161	1.811	-	1.713	0.906	0.331 (lbs)	20	210059	365031
	22 - 11	0.965 - 1.161	1.811	-	1.713	0.906	0.331 (lbs)	101	210069	365031
	25 - 14	1.142 - 1.516	2.205	-	2.106	1.063	0.441 (lbs)	20	210059	365032
i	25 - 14	1.142 - 1.516	2.205	-	2.106	1.063	0.441 (lbs)	101	210069	365032
	32 - 18	1.496 - 1.988	2.598	1.496	2.450	1.339	0.882 (lbs)	20	264051	365033
	32 - 18	1.496 - 1.988	2.598	1.496	2.450	1.339	0.882 (lbs)	101	264077	365033
	40 - 22	1.968 - 2.579	2.953	1.850	2.854	1.654	1.764 (lbs)	20	210052	NEW 465035
	40 - 22	1.968 - 2.579	2.953	1.850	2.854	1.654	1.764 (lbs)	101	210062	NEW 465035

*Not suitable for indexable inserts with a radius of 0.031" (0.80mm)

NOTE: X_{1R} = rotated insert holder for reverse machining

NOTE: Insert holders and inserts sold separately

364/464 Boring Heads

MVS Connection	Boring Range	Boring Head					Weight	Insert Form	Part No.	
		$D_2 D_1$	A	X_1	X_{1R}	L_2			D_5	Insert Holder
	19 - 11	20.00 - 24.50	46.00	-	43.00	-	0.09 (kg)	20	364077*	364030
	22 - 11	24.50 - 29.50	46.00	-	43.50	23.00	0.15 (kg)	20	210059	364031
	22 - 11	24.50 - 29.50	46.00	-	43.50	23.00	0.15 (kg)	101	210069	364031
	25 - 14	29.00 - 38.50	56.00	-	53.50	27.00	0.20 (kg)	20	210059	364032
m	25 - 14	29.00 - 38.50	56.00	-	53.50	27.00	0.20 (kg)	101	210069	364032
	32 - 18	38.00 - 50.50	66.00	38.00	63.50	34.00	0.40 (kg)	20	264051	364033
	32 - 18	38.00 - 50.50	66.00	38.00	63.50	34.00	0.40 (kg)	101	264077	364033
	40 - 22	50.00 - 65.50	75.00	47.00	72.50	42.00	0.80 (kg)	20	210052	NEW 464035
	40 - 22	50.00 - 65.50	75.00	47.00	72.50	42.00	0.80 (kg)	101	210062	NEW 464035

*Not suitable for indexable inserts with a radius of 0.031" (0.80mm)

NOTE: X_{1R} = rotated insert holder for reverse machining

NOTE: Insert holders and inserts sold separately

B10-N: 10-13

B10-H

B10: xii-xiii

Key on B10-B: 1

i = Imperial (in)
m = Metric (mm)

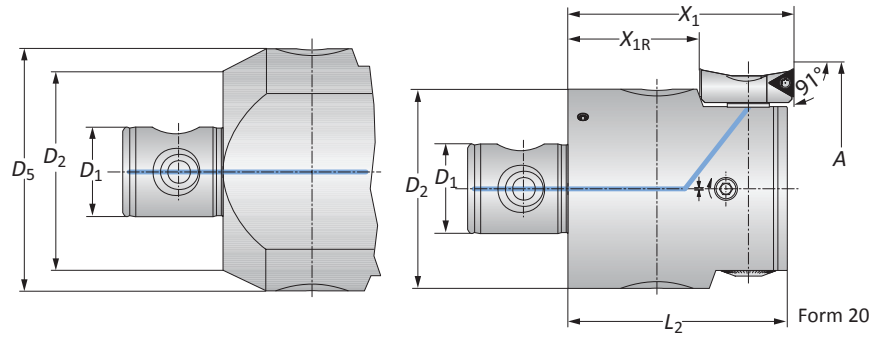
IMPORTANT: Max spindle speed refers to maximum possible speed for an individual boring head and is not a recommended parameter. Refer to page B10-N: 10 for recommended application-specific parameters. Factory technical assistance is available for your specific applications through our Application Engineering department.
ext: 7611 | email: appeng@alliedmachine.com

465 (464) Analog Boring Heads

Alu-Line | Diameter Range: 2.559" - 8.070" (20.00mm - 205.00mm)



Form 101



465 Alu-Line Boring Heads

MVS Connection	Boring Range	Boring Head					Weight	Insert Form	Part No.	
		$D_2 D_1$	A	X_1	X_{1R}	L_2			D_5	Insert Holder
50 - 28	2.559 - 3.268	2.953	1.535	2.854	1.968	1.323 (lbs)	20	210020	465036	
50 - 28	2.559 - 3.268	2.953	1.535	2.854	1.968	1.323 (lbs)	101	210063	465036	
50 - 28	2.559 - 3.268	2.953	1.535	2.854	1.968	1.323 (lbs)	103	210064	465036	
63 - 36	3.228 - 4.055	3.543	2.126	3.445	2.480	2.205 (lbs)	20	210020	465037	
63 - 36	3.228 - 4.055	3.543	2.126	3.445	2.480	2.205 (lbs)	101	210063	465037	
63 - 36	3.228 - 4.055	3.543	2.126	3.445	2.480	2.205 (lbs)	103	210064	465037	
80 - 36	3.937 - 5.118	3.543	2.126	3.445	3.150	3.307 (lbs)	20	210020	465038	
80 - 36	3.937 - 5.118	3.543	2.126	3.445	3.150	3.307 (lbs)	101	210063	465038	
80 - 36	3.937 - 5.118	3.543	2.126	3.445	3.150	3.307 (lbs)	103	210064	465038	
80 - 36	4.921 - 6.594	3.543	2.126	3.445	3.937	4.189 (lbs)	20	210020	465039	
80 - 36	4.921 - 6.594	3.543	2.126	3.445	3.937	4.189 (lbs)	101	210063	465039	
80 - 36	4.921 - 6.594	3.543	2.126	3.445	3.937	4.189 (lbs)	103	210064	465039	
80 - 36	6.398 - 8.070	3.543	2.126	3.445	5.315	5.512 (lbs)	20	210020	465040	
80 - 36	6.398 - 8.070	3.543	2.126	3.445	5.315	5.512 (lbs)	101	210063	465040	
80 - 36	6.398 - 8.070	3.543	2.126	3.445	5.315	5.512 (lbs)	103	210064	465040	

NOTE: X_{1R} = rotated insert holder for reverse machining

NOTE: Insert holders and inserts sold separately

464 Alu-Line Boring Heads

MVS Connection	Boring Range	Boring Head					Weight	Insert Form	Part No.	
		$D_2 D_1$	A	X_1	X_{1R}	L_2			D_5	Insert Holder
50 - 28	65.00 - 83.00	75.00	39.00	72.50	50.00	0.60 (kg)	20	210020	464036	
50 - 28	65.00 - 83.00	75.00	39.00	72.50	50.00	0.60 (kg)	101	210063	464036	
50 - 28	65.00 - 83.00	75.00	39.00	72.50	50.00	0.60 (kg)	103	210064	464036	
63 - 36	82.00 - 103.00	90.00	54.00	87.50	63.00	1.00 (kg)	20	210020	464037	
63 - 36	82.00 - 103.00	90.00	54.00	87.50	63.00	1.00 (kg)	101	210063	464037	
63 - 36	82.00 - 103.00	90.00	54.00	87.50	63.00	1.00 (kg)	103	210064	464037	
80 - 36	100.00 - 130.00	90.00	54.00	87.50	80.00	1.50 (kg)	20	210020	464038	
80 - 36	100.00 - 130.00	90.00	54.00	87.50	80.00	1.50 (kg)	101	210063	464038	
80 - 36	100.00 - 130.00	90.00	54.00	87.50	80.00	1.50 (kg)	103	210064	464038	
80 - 36	125.00 - 167.50	90.00	54.00	87.50	100.00	1.90 (kg)	20	210020	464039	
80 - 36	125.00 - 167.50	90.00	54.00	87.50	100.00	1.90 (kg)	101	210063	464039	
80 - 36	125.00 - 167.50	90.00	54.00	87.50	100.00	1.90 (kg)	103	210064	464039	
80 - 36	162.50 - 205.00	90.00	54.00	87.50	135.00	2.50 (kg)	20	210020	464040	
80 - 36	162.50 - 205.00	90.00	54.00	87.50	135.00	2.50 (kg)	101	210063	464040	
80 - 36	162.50 - 205.00	90.00	54.00	87.50	135.00	2.50 (kg)	103	210064	464040	

NOTE: X_{1R} = rotated insert holder for reverse machining

NOTE: Insert holders and inserts sold separately

B10:-N: 10-13

B10-H

B10: xii-xiii

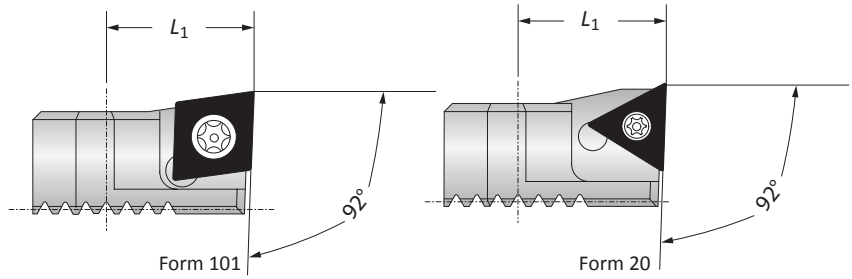
Key on B10-B: 1

i = Imperial (in)
m = Metric (mm)

IMPORTANT: Max spindle speed refers to maximum possible speed for an individual boring head and is not a recommended parameter. Refer to page B10-N: 10 for recommended application-specific parameters. Factory technical assistance is available for your specific applications through our Application Engineering department.
ext: 7611 | email: appeng@alliedmachine.com

Insert Holders for Abrasive Materials

Diameter Range: 2.559" - 8.070" (65.00mm - 205.00mm)



		Insert Holder			
Boring Range		L_1	Weight	Insert Form	Part No.
i	2.559 - 8.070	0.709	0.066 (lbs)	20	211061
	2.559 - 8.070	0.709	0.066 (lbs)	101	211063
	2.559 - 8.070	0.709	0.066 (lbs)	103	211065
m	65.00 - 205.00	18.00	0.03 (kg)	20	211061
	65.00 - 205.00	18.00	0.03 (kg)	101	211063
	60.00 - 205.00	18.00	0.03 (kg)	103	211065

NOTE: Insert holders are used for abrasive materials to protect boring head against chip wash

B10:-N: 10-13

B10-F

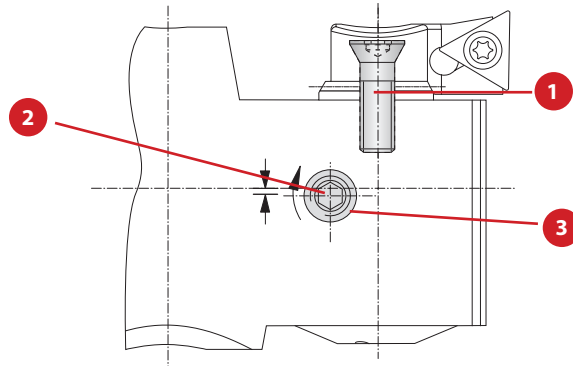
B10: xii-xiii

Key on B10-B: 1

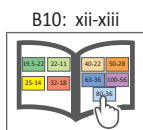
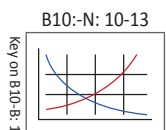
i = Imperial (in)
m = Metric (mm)
Inserts sold separately

Accessories

Screws



Boring Head	Part No.				
	1 Countersunk Screw	Countersunk Screw Service Key	2 Clamping Screw	Clamping Screw Service Key	3 Ball
365030	215323	Tx - 15 / H	364260	s2.5 / A	364270
365031	215338	Tx - 15 / H	364138	s2.5 / A	364139
365032	215338	Tx - 15 / H	364138	s2.5 / A	364139
365033	215338	Tx - 15 / H	315278	s2.5 / A	-
464035	215338	Tx - 15 / H	115505	s3 / B	-
464036	215462	Tx - 20 / H	315943	s4 / B	-
464037	215462	Tx - 20 / H	515178	s4 / B	-
464038	215462	Tx - 20 / H	515178	s4 / B	-
464039	215462	Tx - 20 / H	515178	s4 / B	-
464040	215462	Tx - 20 / H	515178	s4 / B	-



 = Imperial (in)
 = Metric (mm)

Balance Digital 565 (564) Product Overview

Balance Digital 565 (564) FINE BORING

Adjustable diameter for precise machining.

The Wohlhaupter® Balance Digital 565 (564) boring head, for a diameter range above 2.559" (65.50mm), features a lightweight aluminum boring head with automatic balancing in the easy-to-read digital display. It is specifically engineered to minimize the residual imbalance produced by insert holder displacement. The boring insert holders can be rotated easily for reverse machining boring applications.

Test the *engineered lightweight* boring head today.

- Steel boring head diameter range: 1.968" - 2.579" (50.00mm - 65.50mm)
- Alu-Line diameter range: 2.559" - 8.070" (65.00mm - 205.00mm)
- Special coating on Alu-Line for wear-resistant surface
- Alu-Line body reduces tool weight by 50%, reducing stress on the spindle
- Digital readout advantage for diameter adjustments of 0.0001" (0.002mm)
- Coolant through
- Internal balancing improves tool life and surface finish
- Insert holder can be rotated for back boring jobs
- Max cutting speed: 6,562 SFM (2,000 m/min)
- Max coolant pressure: 580 PSI (40 bar)



Aluminum Boring Head
2.559" - 8.071" (65mm - 205mm)

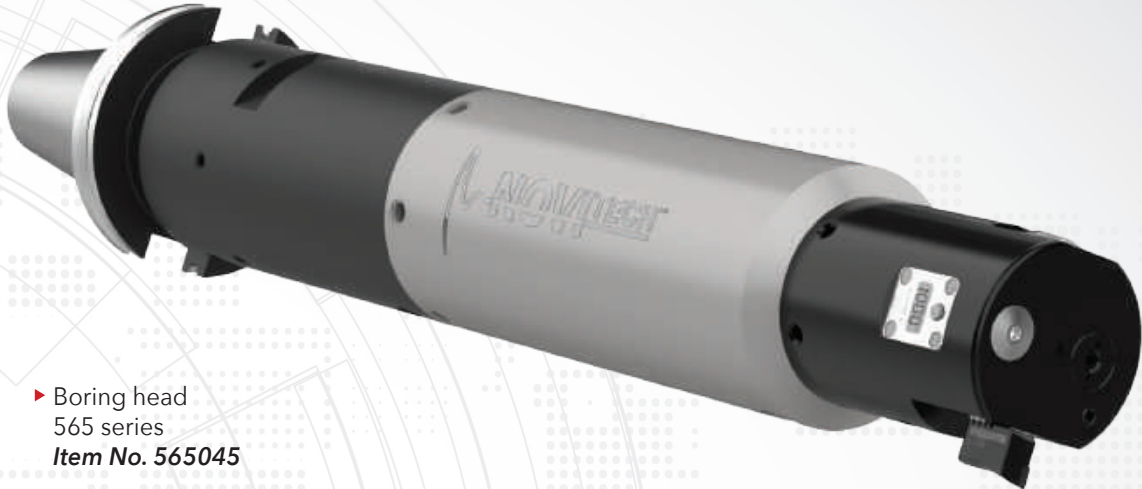
Steel Boring Head
1.968" - 2.579" (50mm - 65.5mm)

NOTE: Imperial items pictured

NOTE: Adjustment accuracy of 0.0001"
or 0.002mm on diameter

IMPORTANT: Max spindle speed refers to maximum possible speed for an individual boring head and is not a recommended parameter. Refer to page B10-N: 10 for recommended application-specific parameters. Factory technical assistance is available for your specific applications through our Application Engineering department.
ext: 7611 | email: appeng@alliedmachine.com

WOHLHAUPTER® 565 BORING HEAD with NOVI^{TECH}®



▶ Boring head
565 series
Item No. 565045

▶ NOVI^{TECH} Vibration dampened
intermediate module
Item No. 519005

NOTE: Imperial item pictured

NOTE: Adjustment accuracy of 0.0001"
or 0.002mm on diameter

*The Wohlhaupter 565 boring head with the
NOVI^{TECH} vibration dampened module provided:*



Excellent surface finish

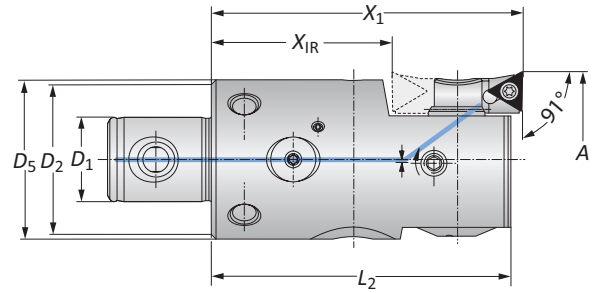
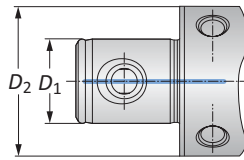


Eliminated vibration and chatter

		Measure	565 Boring Head with NOVI ^{TECH}
Product:	Wohlhaupter 565 Boring Head with NOVI ^{TECH}	RPM	430 RPM
Objectives:	0.002" concentricity over the length of 2 bores spaced 14" apart	Speed Rate	352 SFM
Material:	Cast iron	Feed Rate	0.003 IPR
Hole Ø:	3.125"	Penetration Rate	1.29 IPM
Depth:	7xD	Cycle Time (per hole)	3 min 32 sec
		Hole Finish	155 Ra

Boring Heads

Diameter Range: 1.968" - 2.579" (50.00mm - 65.50mm)



NOTE: Imperial item pictured
NOTE: Adjustment accuracy of 0.0001" or 0.002mm on diameter

565 Digital Boring Heads

Form 101

Form 20

	MVS Connection	Boring Range	Boring Head				Weight	Insert Form	Part No.	
	D_2 D_1	A	X_1	X_{IR}	L_2	D_5			Insert Holder	Boring Head
i	40 - 22	1.968 - 2.579	2.953	1.850	2.854	1.654	1.764 (lbs)	20	210052	565034
	40 - 22	1.968 - 2.579	2.953	1.850	2.854	1.654	1.764 (lbs)	101	210062	565034

NOTE: X_{IR} = rotated insert holder for reverse machining

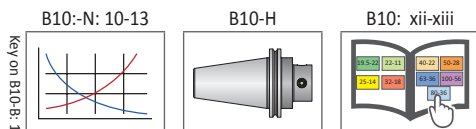
NOTE: Insert holders and inserts sold separately

564 Digital Boring Heads

	MVS Connection	Boring Range	Boring Head				Weight	Insert Form	Part No.	
	D_2 D_1	A	X_1	X_{IR}	L_2	D_5			Insert Holder	Boring Head
m	40 - 22	50.00 - 65.50	75.00	47.00	72.50	42.00	0.80 (kg)	20	210052	564034
	40 - 22	50.00 - 65.50	75.00	47.00	72.50	42.00	0.80 (kg)	101	210062	564034

NOTE: X_{IR} = rotated insert holder for reverse machining

NOTE: Insert holders and inserts sold separately



i = Imperial (in)
m = Metric (mm)

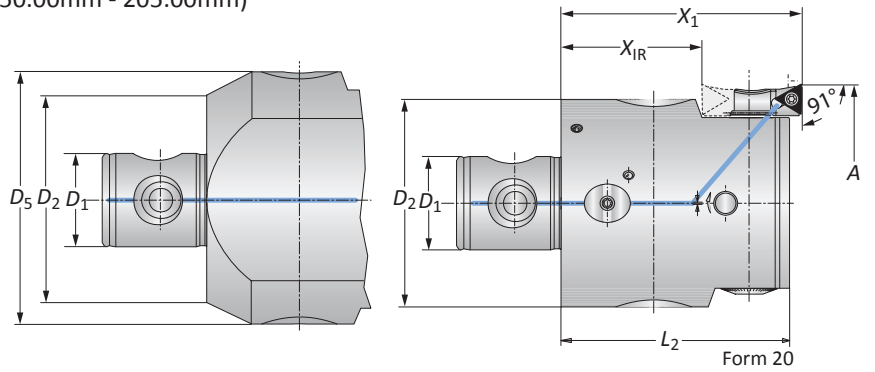
IMPORTANT: Max spindle speed refers to maximum possible speed for an individual boring head and is not a recommended parameter. Refer to page B10-N: 10 for recommended application-specific parameters. Factory technical assistance is available for your specific applications through our Application Engineering department.
ext: 7611 | email: appeng@alliedmachine.com

Boring Heads

Alu-Line | Diameter Range: 2.559" - 8.070" (50.00mm - 205.00mm)



NOTE: Imperial item pictured
NOTE: Adjustment accuracy of 0.0001" or 0.002mm on diameter



565 Digital Alu-Line Boring Heads Form 101

MVS Connection	Boring Range		Boring Head				Weight	Insert Form	Part No.	
	$D_2 D_1$	A	X_1	X_{1R}	L_2	D_5			Insert Holder	Boring Head
i	50 - 28	2.559 - 3.268	2.953	1.535	2.874	-	1.323 (lbs)	20	210020	565045
	50 - 28	2.559 - 3.268	2.953	1.535	2.874	-	1.323 (lbs)	101	210063	565045
	50 - 28	2.559 - 3.268	2.953	1.535	2.874	-	1.323 (lbs)	103	210064	565045
	63 - 36	3.228 - 4.005	3.543	2.126	3.464	-	2.205 (lbs)	20	210020	565046
	63 - 36	3.228 - 4.005	3.543	2.126	3.464	-	2.205 (lbs)	101	210063	565046
	63 - 36	3.228 - 4.005	3.543	2.126	3.464	-	2.205 (lbs)	103	210064	565046
	80 - 36	3.937 - 5.118	3.543	2.126	3.464	-	3.307 (lbs)	20	210020	565047
	80 - 36	3.937 - 5.118	3.543	2.126	3.464	-	3.307 (lbs)	101	210063	565047
	80 - 36	3.937 - 5.118	3.543	2.126	3.464	-	3.307 (lbs)	103	210064	565047
	80 - 36	4.921 - 6.594	3.543	2.126	3.464	-	3.307 (lbs)	20	210020	565048
	80 - 36	4.921 - 6.594	3.543	2.126	3.464	3.937	4.189 (lbs)	101	210063	565048
	80 - 36	4.921 - 6.594	3.543	2.126	3.464	3.937	4.189 (lbs)	103	210064	565048
80 - 36	6.397 - 8.070	3.543	2.126	3.464	3.937	4.189 (lbs)	20	210020	565049	
80 - 36	6.397 - 8.070	3.543	2.126	3.464	3.937	4.189 (lbs)	101	210063	565049	
80 - 36	6.397 - 8.070	3.543	2.126	3.464	5.315	5.512 (lbs)	103	210064	565049	

NOTE: X_{1R} = rotated insert holder for reverse machining
NOTE: Insert holders and inserts sold separately

564 Digital Alu-Line Boring Heads

MVS Connection	Boring Range		Boring Head				Weight	Insert Form	Part No.	
	$D_2 D_1$	A	X_1	X_{1R}	L_2	D_5			Insert Holder	Boring Head
ii	50 - 28	65.00 - 83.00	75.00	39.00	73.00	-	0.60 (kg)	20	210020	564045
	50 - 28	65.00 - 83.00	75.00	39.00	73.00	-	0.60 (kg)	101	210063	564045
	50 - 28	65.00 - 83.00	75.00	39.00	73.00	-	0.60 (kg)	103	210064	564045
	63 - 36	82.00 - 103.00	90.00	54.00	88.00	-	1.00 (kg)	20	210020	564046
	63 - 36	82.00 - 103.00	90.00	54.00	88.00	-	1.00 (kg)	101	210063	564046
	63 - 36	82.00 - 103.00	90.00	54.00	88.00	-	1.00 (kg)	103	210064	564046
	80 - 36	100.00 - 130.00	90.00	54.00	88.00	-	1.50 (kg)	20	210020	564047
	80 - 36	100.00 - 130.00	90.00	54.00	88.00	-	1.50 (kg)	101	210063	564047
	80 - 36	100.00 - 130.00	90.00	54.00	88.00	-	1.50 (kg)	103	210064	564047
	80 - 36	125.00 - 167.50	90.00	54.00	88.00	100.00	1.90 (kg)	20	210020	564048
	80 - 36	125.00 - 167.50	90.00	54.00	88.00	100.00	1.90 (kg)	101	210063	564048
	80 - 36	125.00 - 167.50	90.00	54.00	88.00	100.00	1.90 (kg)	103	210064	564048
80 - 36	162.50 - 205.00	90.00	54.00	88.00	135.00	2.50 (kg)	20	210020	564049	
80 - 36	162.50 - 205.00	90.00	54.00	88.00	135.00	2.50 (kg)	101	210063	564049	
80 - 36	162.50 - 205.00	90.00	54.00	88.00	135.00	2.50 (kg)	103	210064	564049	

NOTE: X_{1R} = rotated insert holder for reverse machining
NOTE: Insert holders and inserts sold separately

B10:-N: 10-13

B10-H

B10: xii-xiii

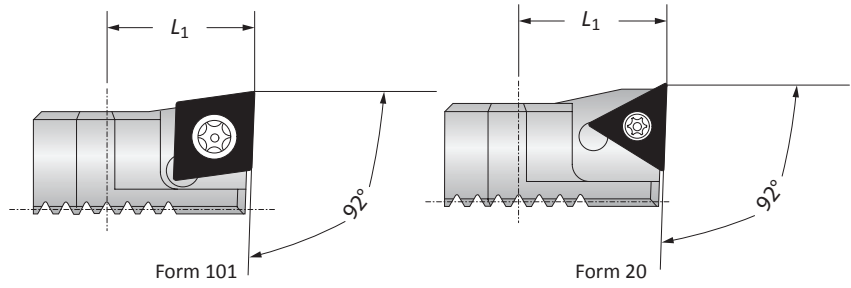
Key on B10-B: 1

i = Imperial (in)
 ii = Metric (mm)

IMPORTANT: Max spindle speed refers to maximum possible speed for an individual boring head and is not a recommended parameter. Refer to page B10-N: 10 for recommended application-specific parameters. Factory technical assistance is available for your specific applications through our Application Engineering department.
 ext: 7611 | email: appeng@alliedmachine.com

Insert Holder for Abrasive Materials

Diameter Range: 2.559" - 8.070" (65.00mm - 205.00mm)



		Insert Holder			
		L_1	Weight	Insert Form	Part No.
i	2.559 - 8.070	0.709	0.066 (lbs)	20	211061
	2.559 - 8.070	0.709	0.066 (lbs)	101	211063
	2.559 - 8.070	0.709	0.066 (lbs)	103	211065
m	65.00 - 205.00	18.00	0.03 (kg)	20	211061
	66.00 - 205.00	18.00	0.03 (kg)	101	211063
	67.00 - 205.00	18.00	0.03 (kg)	103	211065

NOTE: Insert holders are used for abrasive materials to protect boring head against chip wash

B10-N: 10-13 B10-F B10: xii-xiii

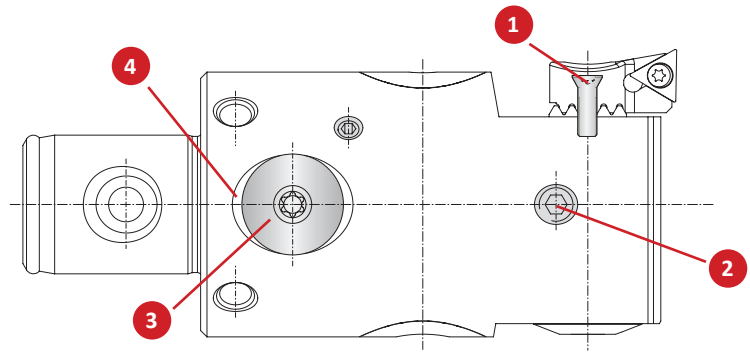
Key on B10-B: 1

i = Imperial (in)
m = Metric (mm)
Inserts sold separately



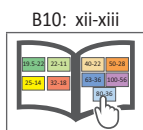
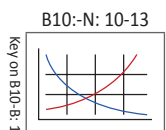
Accessories

Screws | Battery Cover | Batteries



Boring Head	Part No.							
	1 Countersunk Screw	Service Key	2 Clamping Screw	Service Key	3 Battery Cover	Service Key	4 Sealing Ring	Battery*
565034	215338	T15 / H	115505	s3 / B	501016	T20 / H	415895	415896
565045	215462	T20 / H	315943	s4 / B	501016	T20 / H	415895	415896
565046	215462	T20 / H	515178	s4 / B	501016	T20 / H	415895	415896
565047	215462	T20 / H	515178	s4 / B	501016	T20 / H	415895	415896
565048	215462	T20 / H	515178	s4 / B	501016	T20 / H	415895	415896
565049	215462	T20 / H	515178	s4 / B	501016	T20 / H	415895	415896

*Replace both batteries



i = Imperial (in)
m = Metric (mm)

538 (537) Product Overview



538 (537) Cassettes FINE BORING

Engineered for easy precision.

Wohlhaupter® 538 (537) fine boring cassettes offer high accuracy and are available in an easy-to-use digital or analog version. The digital version features a docking port to attach the 3E^{TECH} digital readout module for μ -accurate diameter adjustments while the analog cassettes provide highly accurate adjustments through the vernier scale. 538 (537) cassettes are made of hardened steel and can be used on serrated tool bodies and slides from 3.937" - 128.100" (100.00mm - 3255.00mm). The insert holder can be rotated easily for reverse machining applications.

Experience **digital precision boring** for yourself.

- Diameter range: 3.937" - 8.070" (100.00mm - 205.00mm)
- Cassette can be used on large diameter serrated slides (pg. B10-E: 8): 7.874" - 128.100" (100.00mm - 3255.00mm)
- Coolant through
- 3E^{TECH} module provides a simple digital readout
- Analog version with a vernier scale
- Max cutting speed: 3,937 SFM (1,200 m/min)



NOTE: Imperial items pictured

NOTE: Adjustment accuracy of 0.0001" or 0.002mm on diameter

IMPORTANT: Max spindle speed refers to maximum possible speed for an individual boring head and is not a recommended parameter. Refer to page B10-N: 10 for recommended application-specific parameters. Factory technical assistance is available for your specific applications through our Application Engineering department.
ext: 7611 | email: appeng@alliedmachine.com

538 (537) BORING CASSETTES



OLD CASSETTE



NEW CASSETTE



OLD CASSETTE



NEW CASSETTE

NEW ANALOG CASSETTE PART NUMBERS

NEW DIGITAL CASSETTE PART NUMBERS

	Old Part No.	NEW Part No.	Old Part No.	NEW Part No.
i	338037	538051	538001	538052
m	337017	537051	537001	537052



NEW vernier scale
on both analog
and digital cassettes

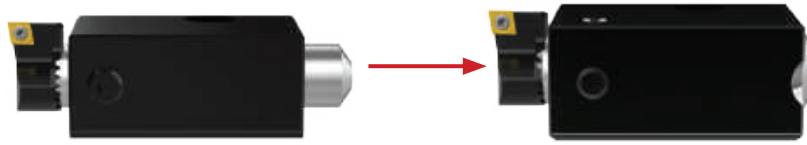


NEW digital 538 (537)
cassettes with 3E^{TECH}
docking port

- ✓ Convenient tool handling
- ✓ Large range of applications
- ✓ Hardened steel bodies

538 (537) Analog Cassettes

Diameter Range: 3.937" - 8.070" (100.00mm - 205.00mm)



OLD CASSETTE

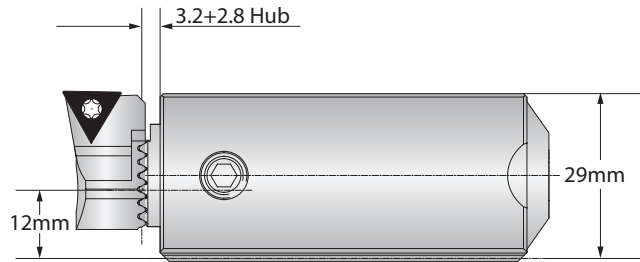
NEW CASSETTE

NEW ANALOG CASSETTE PART NUMBERS

	Old Part No.	NEW Part No.
i	338037	538051
m	337017	537051



Form 101



Form 20

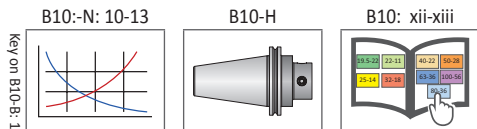
Analog 538 (537) Cassettes

	Boring Range	Weight	Insert Form	Part No.		
				Insert Holder	Clamping Piece	Cassette*
i	3.937 - 8.070	1.323 (lbs)	20	210020	137026	538051
	3.937 - 8.070	1.323 (lbs)	101	210063	137026	538051
	3.937 - 8.070	1.323 (lbs)	103	210064	137026	538051
m	100.00 - 205.00	0.60 (kg)	20	210020	137026	537051
	100.00 - 205.00	0.60 (kg)	101	210063	137026	537051
	100.00 - 205.00	0.60 (kg)	103	210064	137026	537051

*Required serrated tool body sold separately

NOTE: Cassette and insert holder can be used on large diameter serrated slides (B10-E: 8)

NOTE: Insert holders and inserts sold separately

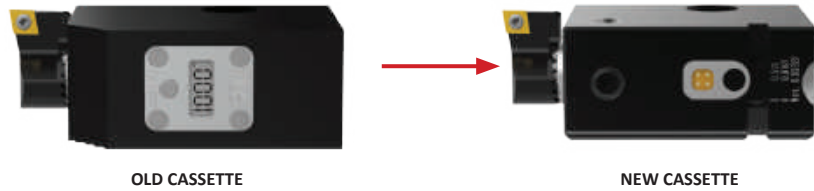


i = Imperial (in)
m = Metric (mm)

IMPORTANT: Max spindle speed refers to maximum possible speed for an individual boring head and is not a recommended parameter. Refer to page B10-N: 10 for recommended application-specific parameters. Factory technical assistance is available for your specific applications through our Application Engineering department.
ext: 7611 | email: appeng@alliedmachine.com

538 (537) Cassettes with 3E^{TECH}

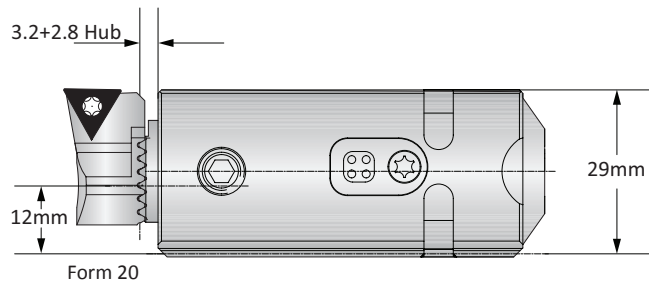
Diameter Range: 3.937" - 8.070" (100.00mm - 205.00mm)



NEW DIGITAL CASSETTE PART NUMBERS		
	Old Part No.	NEW Part No. with 3E ^{TECH} Port
i	538001	538052
m	537001	537052



Form 101



Digital 538 (537) Cassettes

	Boring Range	Weight	Insert Form	Insert Holder	Part No.	
					Clamping Piece	Cassette*
i	3.937 - 8.070	1.323 (lbs)	20	210020	137026	538052
	3.937 - 8.070	1.323 (lbs)	101	210063	137026	538052
	3.937 - 8.070	1.323 (lbs)	103	210064	137026	538052
m	100.00 - 205.00	0.60 (kg)	20	210020	137026	537052
	100.00 - 205.00	0.60 (kg)	101	210063	137026	537052
	100.00 - 205.00	0.60 (kg)	103	210064	137026	537052

*Required serrated tool body sold separately

NOTE: Cassette and insert holder can be used on large diameter serrated slides (B10-E: 8)

NOTE: 3E^{TECH} digital readout module, insert holders, inserts, and clamping pieces **sold separately**



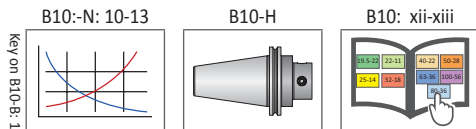
3E^{TECH} Digital Readout Module

	Part No.*
i	563010
m	536010

*WEEE-Reg.-Nr. DE 15820388

NOTE: 3E^{TECH} must be ordered separately.

NOTE: Imperial item pictured
NOTE: Adjustment accuracy of 0.0001" or 0.002mm on diameter



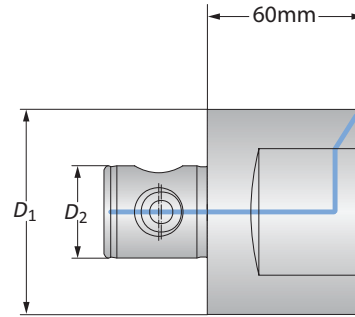
i = Imperial (in)
m = Metric (mm)

IMPORTANT: Max spindle speed refers to maximum possible speed for an individual boring head and is not a recommended parameter. Refer to page B10-N: 10 for recommended application-specific parameters. Factory technical assistance is available for your specific applications through our Application Engineering department.
 ext: 7611 | email: appeng@alliedmachine.com

A
B
C
D
E
F
G
H
I
J
K
L
M
N
INDEX

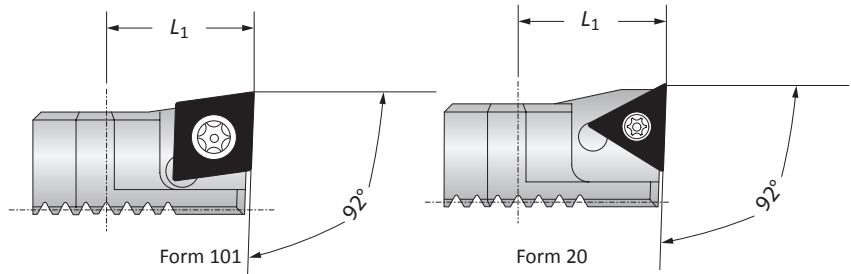
Serrated Tool Bodies | Insert Holders for Abrasive Materials

Diameter Range: 3.937" - 128.150" (100.00mm - 3255.00mm)



Serrated Tool Bodies

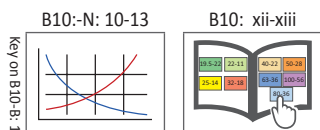
MVS Connection		Serrated Tool Body	
	$D_2 D_1$	Boring Range	Part No.
i	80 - 36	3.937 - 6.102	148007
	80 - 36	5.905 - 8.070	148009
m	80 - 36	100.00 - 155.00	148007
	80 - 36	150.00 - 205.00	148009



Insert Holders for Abrasive Materials

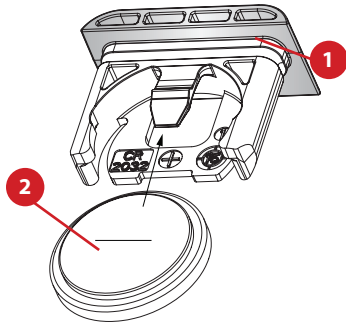
Insert Holder		Weight	Insert Form	Part No.
Boring Range	L_1			
i	3.937 - 128.150	0.709	20	211061
	3.937 - 128.150	0.709	101	211063
	3.937 - 128.150	0.709	103	211065
m	100.00 - 3255.00	18.00	20	211061
	100.00 - 3255.00	18.00	101	211063
	100.00 - 3255.00	18.00	103	211065

NOTE: Insert holders are used for abrasive materials to protect boring head against chip wash



i = Imperial (in)
m = Metric (mm)

3E^{TECH} Accessories

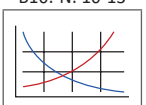


1	2
Sealing Ring	Battery CR2032
Part No.	Part No.
215483	515491

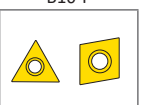
A
B
C
D
E
F
G
H
I
J
K
L
M
N

Key on B10-B: 1


B10-N: 10-13



B10-F



B10: xii-xiii



i = Imperial (in)
m = Metric (mm)
 Inserts sold separately

SECTION

B10-C

Combi-Line Rough and Finish Boring

Wohlhaupter® Rough and Finish Boring

Combi-Line

► Diameter Range: 0.965" - 7.913" (24.50mm - 201.00mm)



One tool. Two operations.

The Wohlhaupter Combi-Line combines both rough and finish boring into one operation. The front insert holder is the roughing cutting edge, while the shorter holder finishes the hole, saving you time and money.

Your safety and the safety of others is very important. This catalog contains important safety messages. Always read and follow all safety precautions.



This triangle is a safety hazard symbol. It alerts you to potential safety hazards that can cause tool failure and serious injury.

When you see this symbol in the catalog, look for a related safety message that may be near this triangle or referred to in the nearby text.

There are safety signal words also used in the catalog. Safety messages follow these words.

WARNING

WARNING (shown above) means that failure to follow the precautions in this message could result in tool failure and serious injury.

NOTICE means that failure to follow the precautions in this message could result in damage to the tool or machine but not result in personal injury.

NOTE and **IMPORTANT** are also used. These are important that you read and follow but are not safety-related.

Visit www.alliedmachine.com for the most up-to-date information and procedures.

Applicable Industries



Aerospace



Agriculture



Automotive



Firearms



General
Machining



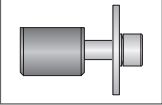
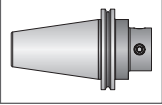
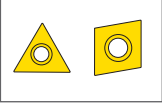
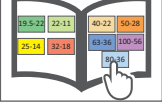
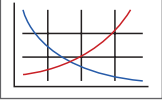
Oil & Gas



Renewable
Energy

Combined Rough and Finish Boring Table of Contents

Reference Icons
The following icons will appear throughout the catalog to help you navigate between products.

- 
Clamping Elements
For use with insert holders and boring heads
- 
Shanks
A variety of shanks for different machines
- 
Inserts
For use with insert holder boring heads and boring bars using indexable inserts
- 
MVS Connection Color Guide
Detailed instructions and information regarding the MVS connection(s)
- 
Recommended Cutting Data
Speed and feed recommendations for optimum and safe boring

Combi-Line Introduction

- Combi-Line Product Overview 2 - 3
- Boring Head and Insert Holder 4
- Accessories 5

Series	Diameter Range	
	Imperial (inch)	Metric (mm)
Combi-Line 404 (401)	0.965 - 7.913	24.50 - 201.00

Combi-Line Product Overview

Combi-Line ROUGH & FINISH BORING

Two operations. One Tool.

Decrease cycle time and tool changes with the Wohlhaupter Combi-Line. The Combi-Line combines rough and finish boring into one tool with height displaced insert holders.

Reduce your *cycle time* with the Combi-Line.

- Diameter range: 0.965" - 7.913" (24.50mm - 201.00mm)
- Reduce cycle and tool changing time
- Available in semi-standard same level or height displaced insert holders
- Coolant-through
- 0.0001" (0.002mm) vernier adjustment on finishing insert holder
- Max spindle speed: 5,000 SFM



IMPORTANT: Max spindle speed refers to maximum possible speed for an individual boring head and is not a recommended parameter. Refer to page B10-N: 10 for recommended application-specific parameters. Factory technical assistance is available for your specific applications through our Application Engineering department.
ext: 7611 | email: appeng@alliedmachine.com

Cycle time is crucial. Why not choose the best process?

Application: Ductile Cast Iron

Finish Diameter: 1.968" (50mm) (+/- 0.0005" [0.013mm])

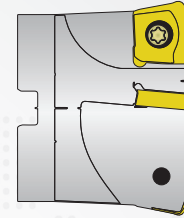
Pre-Hole Diameter: 1.771" (45mm)

Boring Depth: 8.228" (209mm)

Hole Finish: 32 Ra



Measure	1st Process Option	
	Step 1 Rough 49mm Competitor 1.5" High Feed Milling Tool	Step 2 Finish 50mm Wohlhaupter 320 Boring Head
Speed	1000 SFM (2500 RPM)	600 SFM (1165 PRM)
Feed Rate	0.020 IPT (153 IPM)	0.004 IPR (0.466 IPM)
Total Passes	77	1
Cycle Time (per hole)	1.93 min	1.77 min
Tool Change Time	15 sec	
Cycle Time (per part)	3 min 54 sec	



1.5" High Feed Milling Tool



Wohlhaupter 320 Boring Head

Measure	2nd Process Option	
	Step 1 Rough 49mm Wohlhaupter Twin Cutter @49mm Ø	Step 2 Finish 50mm Wohlhaupter 320 Boring Head
Speed	500 SFM (990 RPM)	600 SFM (1165 PRM)
Feed Rate	0.012 IPR (11.88 IPM)	0.004 IPR (0.466 IPM)
Total Passes	1	1
Cycle Time (per hole)	.69 min	1.77 min
Tool Change Time	15 sec	
Cycle Time (per part)	2 min 46 sec	



Wohlhaupter Twin Cutter



Wohlhaupter 320 Boring Head

OUR **SOLUTION** Combi-Line Rough and Finish Boring

Measure	3rd Process Option Finish 50mm Wohlhaupter Combi-Line
Speed	600 SFM (1165 RPM)
Feed Rate	0.004 IPR (0.466 IPM)
Total Passes	1
Cycle Time (per hole)	1.77 min
Tool Change Time	0
Cycle Time (per part)	1 min 46 sec

- ▶ Combi-Line assembly:
 - (1) Insert holders (x2): 402021
 - (2) Serrated tool body: 404006
 - (3) Shank: 353014

- Boring inserts
- ▶ Item No. 297653WHC19



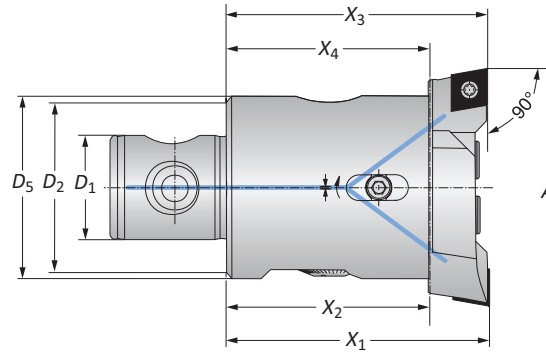
*60 seconds of
total cycle time saved*



1 tool vs. 2 tools saves you time and money

Boring Heads and Insert Holders

Diameter Range: 0.965" - 7.913" (24.50mm - 201.00mm)



COMBI LINE

Connection	Boring Range	Boring Head						Weight	Insert Form	Part No.	
		$D_2 D_1$	A	X_1	X_2	X_3	X_4			D_5	(x2)* Insert Holder**
i	22 - 11	0.965 - 1.161	1.811	1.339	1.799	1.329	0.866	0.220 (lbs)	101	402029	404003
	25 - 14	1.142 - 1.457	2.205	1.614	2.195	1.604	1.024	0.440 (lbs)	101	402009	404004
	25 - 14	1.142 - 1.458	2.205	1.614	2.195	1.604	1.024	0.440 (lbs)	103	402011	404004
	25 - 14	1.417 - 1.732	2.205	1.614	2.195	1.604	1.181	0.661 (lbs)	101	402017	404005
	25 - 14	1.417 - 1.733	2.205	1.614	2.195	1.604	1.181	0.661 (lbs)	103	402019	404005
	32 - 18	1.693 - 2.126	2.598	1.890	2.587	1.878	1.339	0.881 (lbs)	103	402021	404006
	40 - 22	2.087 - 2.598	2.953	2.165	2.941	2.154	1.575	1.543 (lbs)	103	402005	404007
	50 - 28	2.559 - 3.268	2.953	2.165	2.941	2.154	1.969	2.425 (lbs)	103	402013	404008
	63 - 36	3.228 - 4.055	3.543	2.756	3.531	2.744	2.480	4.850 (lbs)	103	402001	404009
	80 - 36	4.016 - 5.000	3.543	2.598	3.531	2.587	3.346	6.613 (lbs)	103	402025	404010
G	80 - 36	5.000 - 5.984	3.543	2.598	3.531	2.587	3.346	6.834 (lbs)	103	402026	404010
	80 - 36	5.945 - 7.913	3.543	2.598	3.531	2.587	5.276	8.377 (lbs)	103	402025	404011
80 - 36	6.929 - 7.913	3.543	2.598	3.531	2.587	5.276	8.598 (lbs)	103	402026	404011	
H	22 - 11	24.50 - 29.50	46.00	34.00	45.70	33.75	22.00	0.10 (kg)	101	402029	401003
	25 - 14	29.00 - 37.00	56.00	41.00	55.75	40.75	26.00	0.20 (kg)	101	402009	401004
	25 - 14	29.00 - 37.00	56.00	41.00	55.75	40.75	26.00	0.20 (kg)	103	402011	401004
	25 - 14	36.00 - 44.00	56.00	41.00	55.75	40.75	30.00	0.30 (kg)	101	402017	401005
	25 - 14	36.00 - 44.00	56.00	41.00	55.75	40.75	30.00	0.30 (kg)	103	402019	401005
	32 - 18	43.00 - 54.00	66.00	48.00	65.70	47.70	34.00	0.40 (kg)	103	402021	401006
	40 - 22	53.00 - 66.00	75.00	55.00	74.70	54.70	40.00	0.70 (kg)	103	402005	401007
	50 - 28	65.00 - 83.00	75.00	55.00	74.70	54.70	50.00	1.10 (kg)	103	402013	401008
	63 - 36	82.00 - 103.00	90.00	70.00	89.70	69.70	63.00	2.20 (kg)	103	402001	401009
	80 - 36	102.00 - 127.00	90.00	66.00	89.70	65.70	85.00	3.00 (kg)	103	402025	401010
J	80 - 36	127.00 - 152.00	90.00	66.00	89.70	65.70	85.00	3.10 (kg)	103	402026	401010
	80 - 36	151.00 - 176.00	90.00	66.00	89.70	65.70	134.00	3.80 (kg)	103	402025	401011
	80 - 36	176.00 - 201.00	90.00	66.00	89.70	65.70	134.00	3.90 (kg)	103	402026	401011

*(2) insert holders are required
 **Insert holders sold individually

Key on B10-C: 1

B10-N: 10-13

B10-C: 5

B10-H

B10-F

B10: xii-xiii

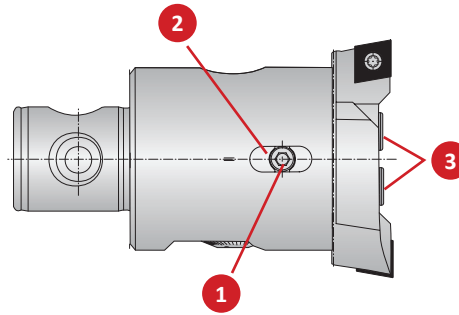
i = Imperial (in)
 m = Metric (mm)

Inserts sold separately

IMPORTANT: Max spindle speed refers to maximum possible speed for an individual boring head and is not a recommended parameter. Refer to page B10-N: 10 for recommended application-specific parameters. Factory technical assistance is available for your specific applications through our Application Engineering department.
 ext: 7611 | email: appeng@alliedmachine.com

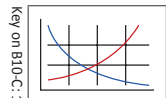
Accessories

Screws | Clamping Elements

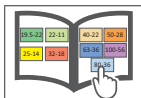


Boring Head Part No.	Part No.					
	1 Clamp Screw	Service Key	2 Clamping Piece	3 Cap Screw	Service Key	
i	404003	401223	s2.5 / B	401203	401323	s3 / B
	404004	401224	s2.5 / B	401204	401324	s4 / B
	404005	401225	s2.5 / B	401205	401324	s4 / B
	404006	401226	s3 / B	401206	401324	s4 / B
	404007	402227	s3 / B	401207	401327	s5 / B
	404008	115288	s4 / B	401208	401329	s6 / B
	404009	215501	s4 / B	401209	401329	s6 / B
	404010	401230	s4 / B	401210	019183	s8 / C
	404011	401230	s4 / B	401210	019138	s8 / C
m	401003	401223	s2.5 / B	401203	401323	s3 / B
	401004	401224	s2.5 / B	401204	401324	s4 / B
	401005	401225	s2.5 / B	401205	401324	s4 / B
	401006	401226	s3 / B	401206	401324	s4 / B
	401007	402227	s3 / B	401207	401327	s5 / B
	401008	115288	s4 / B	401208	401329	s6 / B
	401009	215501	s4 / B	401209	401329	s6 / B
	401010	401230	s4 / B	401210	019183	s8 / C
	401011	401230	s4 / B	401210	019138	s8 / C

B10-N: 10-13



B10: xii-xiii



i = Imperial (in)
m = Metric (mm)

SECTION

B10-D

Rough Machining

Wohlhaupter® Rough Machining

Twin Cutters | Chamfering Tools | Grooving Tools | Axial Grooving | Reverse Machining

▶ Diameter Range: 0.768" - 9.645" (19.50mm - 245.00mm)



Variety of tooling. Versatile operations.

A versatile range of tools for rough machining includes rough boring, chamfering, reverse machining, circular milling, and axial grooving. The insert holders with various insert pockets as well as height displaced insert holders are able to be easily adjusted for a quick setup process.

Your safety and the safety of others is very important. This catalog contains important safety messages. Always read and follow all safety precautions.



This triangle is a safety hazard symbol. It alerts you to potential safety hazards that can cause tool failure and serious injury.

When you see this symbol in the catalog, look for a related safety message that may be near this triangle or referred to in the nearby text.

There are safety signal words also used in the catalog. Safety messages follow these words.

WARNING

WARNING (shown above) means that failure to follow the precautions in this message could result in tool failure and serious injury.

NOTICE means that failure to follow the precautions in this message could result in damage to the tool or machine but not result in personal injury.

NOTE and **IMPORTANT** are also used. These are important that you read and follow but are not safety-related.

Visit www.alliedmachine.com for the most up-to-date information and procedures.

Applicable Industries



Aerospace



Agriculture



Automotive



Firearms



General
Machining



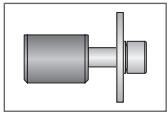
Oil & Gas



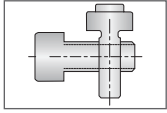
Renewable
Energy

Reference Icons

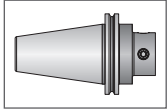
The following icons will appear throughout the catalog to help you navigate between products.



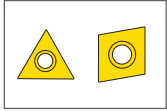
Clamping Elements
For use with insert holders and boring heads



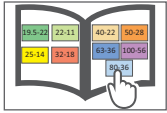
Recessing Tools



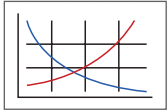
Shanks
A variety of shanks for different machines



Inserts
For use with insert holder boring heads and boring bars using indexable inserts



MVS Connection Color Guide
Detailed instructions and information regarding the MVS connection(s)



Recommended Cutting Data
Speed and feed recommendations for optimum and safe boring

Rough Machining Table of Contents

Introduction

Product Overview 2 - 4

Twin Cutters

Twin Cutters Same Level 5 - 9
Twin Cutters Same Level Tangential Inserts. 10
Twin Cutters Height Displaced 11 - 13
Twin Cutters Height Displaced Tangential Inserts. 14

Chamfering

Chamfering Tools 15 - 18

Grooving

Grooving Tools for Circular Milling. 19
Axial Grooving Tools. 20

Reverse Machining

Reverse Machining Tools. 21

VolCut Tooling

VolCut Insert Holders. 22

Accessories. 23

Series	Diameter Range	
	Imperial (inch)	Metric (mm)
Twin Cutters	0.767 - 8.070	19.50 - 205.00
Chamfering	0.984 - 7.913	20.00 - 201.00
Grooving	0.787 - 8.501	20.00 - 79.00
Axial Grooving	0.787 - 8.070	20.00 - 205.00
Reverse Machining	1.141 - 9.645	29.00 - 245.00

Rough Machining Product Preview

Roughing Tools ROUGH MACHINING

Versatile tools for a variety of applications.

- Diameter range: 0.768" - 9.645" (19.50mm - 245.00mm)
- Tangential inserts and insert holders also available
- Serrated tool bodies can be used for multiple applications, including rough boring, chamfering, back boring, and axial grooving
- Insert holders can be used on large diameter Alu-Line serrated tool bodies and slides located in section E: 3.940" - 128.15" (100.00mm - 3255.00mm)

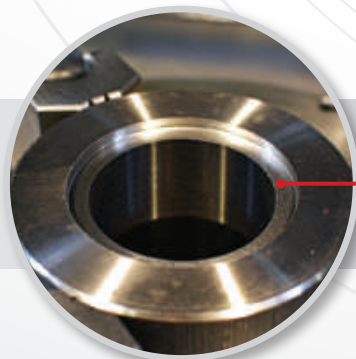
Roughing Applications



- ▶ **Twin Cutter Assembly:**
 - (1) Reducer: 219087
 - (2) Serrated tool body: 148004
 - (3) Insert holders: 151004
 - (4) Inserts: 10408M158HC79



- ▶ **Tangential Cutter Assembly:**
 - (1) Shank: 353007
 - (2) Serrated tool body: 148005
 - (3) Insert holders: 151043
 - (4) Inserts: 00508M880HC198

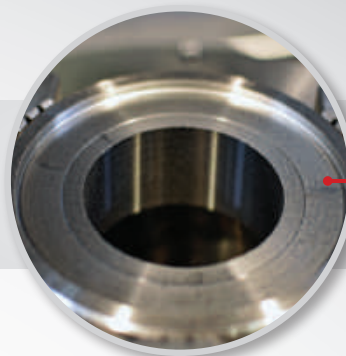


First Tangential Cut



▶ **Tangential Cutter Assembly:**

- (1) Shank: 353008
- (2) Serrated tool body: 148006
- (3) Insert holders: 151035
- (4) Inserts: 397594WHC198

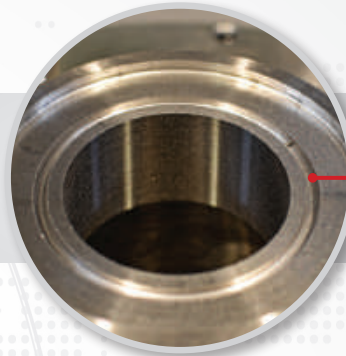


Second Tangential Cut



▶ **Axial Grooving Assembly:**

- (1) Shank: 353009
- (2) Serrated tool body: 148007
- (3) Support block: 226011
- (4) Insert holder: 226010
- (5) Insert: 297978WCH136

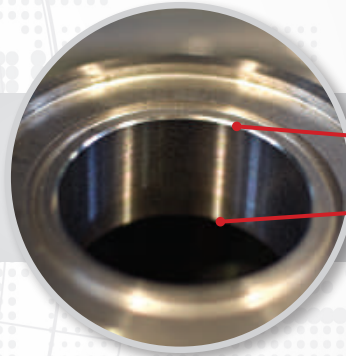


Axial Groove Cut



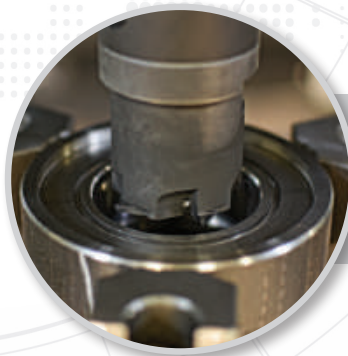
▶ **Chamfer Assembly:**

- (1) Shank: 353003
- (2) Serrated tool body: 148004
- (3) Insert holder: 201009
- (4) Inserts: 297497WHC79



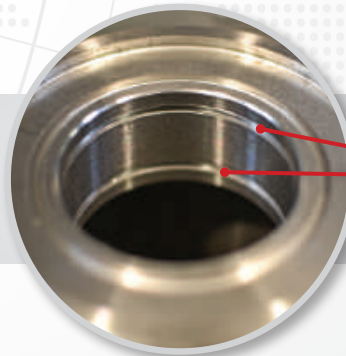
Top Chamfer

Bottom Chamfer



▶ **Radial Grooving Assembly:**

- (1) Shank: 353007
- (2) Grooving tool: 143055
- (3) Inserts: 097254WCH136



Grooves



▶ **Finished Application**

Case Study

Cycle time is crucial. Why not choose the best process?

Application: Ductile Cast Iron

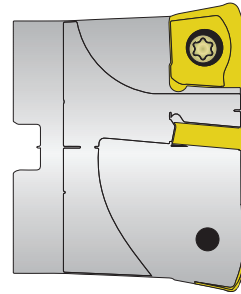
Finish Diameter: 1.930" (49mm)

Pre-Hole Diameter: 1.77" (45mm)

Boring Depth: 8.23" (209mm)



Measure	Rough 49mm Competitor 1.5" High Feed Milling Tool
Speed	1000 SFM (2500 RPM)
Feed Rate	0.020 IPT (153 IPM)
Total Passes	77
Cycle Time (per part)	1.93 min



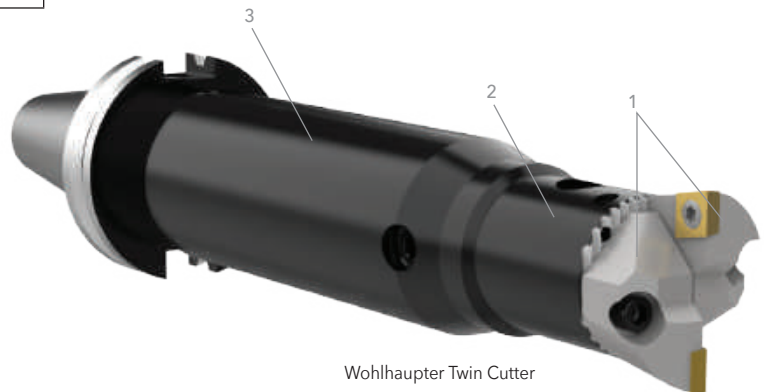
1.5" High Feed Milling Tool

► **OUR SOLUTION**
Wohlhaupter® Twin Cutter

Measure	Rough 49mm Wohlhaupter Twin Cutter
Speed	500 SFM (900 RPM)
Feed Rate	0.012 IPR (11.88 IPM)
Total Passes	1
Cycle Time (per part)	0.69 min

- Twin Cutter assembly:
 - (1) *Insert Holders (x2): 151023*
 - (2) *Serrated tool body: 148018*
 - (3) *Shank: 353015*

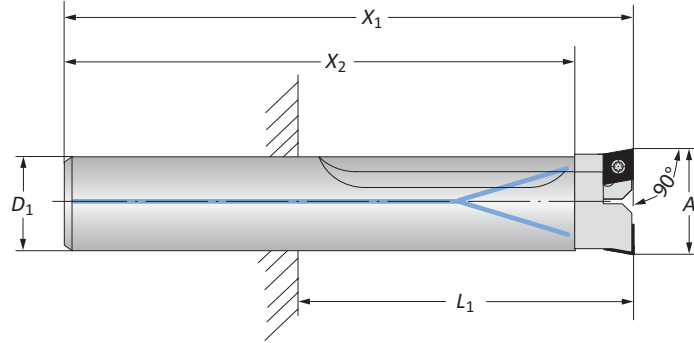
- Boring inserts
- *Item No.: 297239WHC79*



Wohlhaupter Twin Cutter

Twin Cutters Same Level

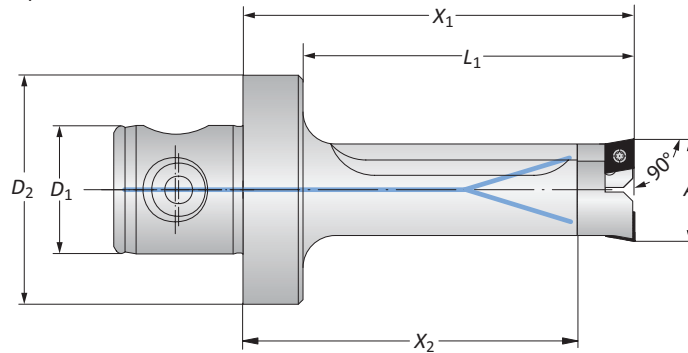
90° | Diameter Range: 0.767" - 1.181" (19.50mm - 30.00mm)



Twin Cutters Same Level

	Connection	Boring Range	Twin Cutter			Weight	Insert Form	Part No.	
	D_1	A	X_1	X_2	L_1			Insert Holder	Serrated Body
i	18	0.767 - 0.905	5.910	5.433	3.149	0.661 (lbs)	101	235031	235021
	20	0.885 - 1.023	5.910	5.433	3.543	0.661 (lbs)	101	235032	235022
	23	1.003 - 1.181	6.299	5.826	3.937	0.661 (lbs)	101	235033	235023
m	18	19.50 - 23.00	150.00	138.00	80.00	0.30 (kg)	101	235031	235021
	20	22.50 - 26.00	150.00	138.00	90.00	0.30 (kg)	101	235032	235022
	23	25.50 - 30.00	160.00	148.00	100.00	0.30 (kg)	101	235033	235023

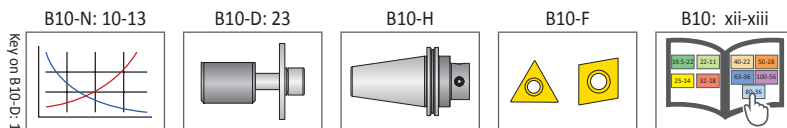
NOTE: Insert holders sold in quantities of 1 and inserts sold separately



Twin Cutters Same Level

	Connection	Boring Range	Twin Cutter			Weight	Insert Form	Part No.	
	$D_2 D_1$	A	X_1	X_2	L_1			Insert Holder	Serrated Body
i	50 - 28	0.767 - 0.905	3.346	2.874	2.834	0.881 (lbs)	101	235031	235001
	50 - 28	0.885 - 1.023	3.543	3.070	3.031	1.102 (lbs)	101	235032	235002
	50 - 28	1.003 - 1.181	3.740	3.268	3.228	1.102 (lbs)	101	235033	235003
	63 - 36	0.767 - 0.905	3.346	2.874	2.834	1.543 (lbs)	101	235031	235011
	63 - 36	0.885 - 1.023	3.543	3.070	3.031	1.543 (lbs)	101	235032	235012
	63 - 36	1.003 - 1.181	3.740	3.268	3.228	1.843 (lbs)	101	235033	235013
m	50 - 28	19.50 - 23.00	85.00	73.00	72.00	0.40 (kg)	101	235031	235001
	50 - 28	22.50 - 26.00	90.00	78.00	77.00	0.50 (kg)	101	235032	235002
	50 - 28	25.50 - 30.00	95.00	83.00	82.00	0.50 (kg)	101	235033	235003
	63 - 36	19.50 - 23.00	85.00	73.00	72.00	0.70 (kg)	101	235031	235011
	63 - 36	22.50 - 26.00	90.00	78.00	77.00	0.70 (kg)	101	235032	235012
	63 - 36	25.50 - 30.00	95.00	83.00	82.00	0.83 (kg)	101	235033	235013

NOTE: Insert holders sold in quantities of 1 and inserts sold separately



i = Imperial (in)
m = Metric (mm)

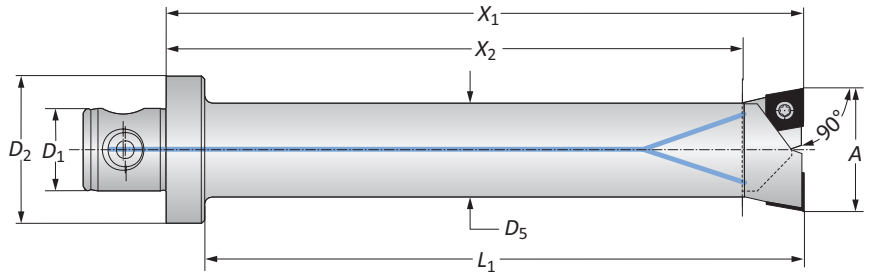
Inserts sold separately

IMPORTANT: Max spindle speed refers to maximum possible speed for an individual boring head and is not a recommended parameter. Refer to page B10-N: 10 for recommended application-specific parameters. Factory technical assistance is available for your specific applications through our Application Engineering department.
ext: 7611 | email: appeng@alliedmachine.com

A
B
C
D
E
F
G
H
I
J
K
L
M
N
INDEX

Twin Cutters Same Level

90° | 5xD | Diameter Range: 1.141" - 2.598" (29.00mm - 66.00mm)



Connection	Boring Range	Twin Cutter					Weight	Insert Form	Part No.	
		$D_2 D_1$	A	X_1	X_2	L_1			D_5	Insert Holder
i	50 - 28	1.141 - 1.456	6.102	5.551	5.590	1.023	1.984 (lbs)	103	151001	148021
	50 - 28	1.417 - 1.732	6.889	6.338	6.377	1.259	2.866 (lbs)	103	151002	148022
	50 - 28	1.692 - 2.125	8.465	7.677	7.952	1.456	4.188 (lbs)	103	151023	148023
	50 - 28	1.692 - 2.125	8.465	7.677	7.952	1.456	4.188 (lbs)	104	151003	148023
	50 - 28	2.086 - 2.598	8.465	7.677	7.952	1.732	5.511 (lbs)	103	151024	148024
m	50 - 28	2.086 - 2.598	8.465	7.677	7.952	1.732	5.511 (lbs)	104	151004	148024
	50 - 28	29.00 - 37.00	155.00	141.00	142.00	26.00	0.90 (kg)	103	151001	148021
	50 - 28	36.00 - 44.00	175.00	161.00	162.00	32.00	1.30 (kg)	103	151002	148022
	50 - 28	43.00 - 54.00	215.00	195.00	202.00	37.00	1.90 (kg)	103	151023	148023
	50 - 28	43.00 - 54.00	215.00	195.00	202.00	37.00	1.90 (kg)	104	151003	148023
m	50 - 28	53.00 - 66.00	215.00	195.00	202.00	44.00	2.50 (kg)	103	151024	148024
	50 - 28	53.00 - 66.00	215.00	195.00	202.00	44.00	2.50 (kg)	104	151004	148024

NOTE: Different lengths available upon request.

NOTE: Insert holders sold in quantities of 1 and inserts sold separately

B10-N: 10-13

B10-D: 23

B10-H

B10-F

B10: xii-xiii

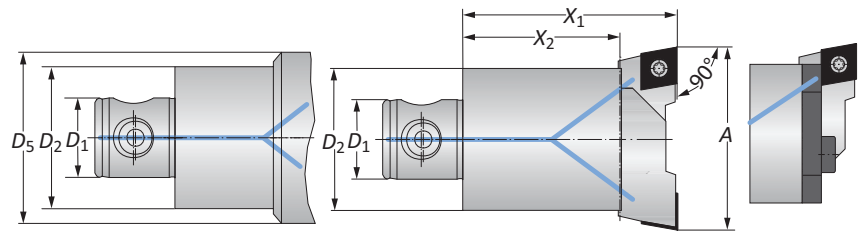
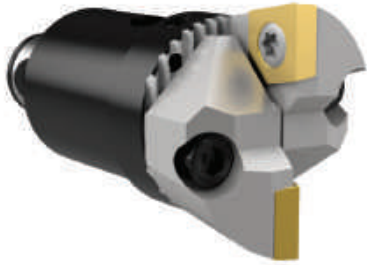
i = Imperial (in)
m = Metric (mm)

Inserts sold separately

IMPORTANT: Max spindle speed refers to maximum possible speed for an individual boring head and is not a recommended parameter. Refer to page B10-N: 10 for recommended application-specific parameters. Factory technical assistance is available for your specific applications through our Application Engineering department.
ext: 7611 | email: appeng@alliedmachine.com

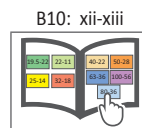
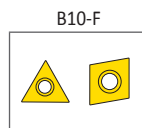
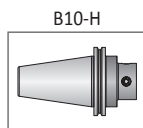
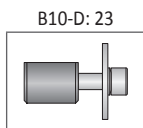
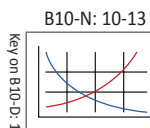
Twin Cutters Same Level

90° | Diameter Range: 1.141" - 4.055" (29.00mm - 103.00mm)



Connection	Boring Range	Twin Cutter			Weight	Insert Form	Part No.		
		$D_2 D_1$	A	X_1			X_2	D_5	Insert Holder
i	25 - 14	1.141 - 1.456	2.205	1.653	-	0.441 (lbs)	103	151001	148001
	25 - 14	1.417 - 1.732	2.205	1.653	1.811	0.441 (lbs)	103	151002	148002
	32 - 18	1.417 - 1.732	2.205	1.653	1.811	0.881 (lbs)	103	151002	148017
	32 - 18	1.692 - 2.125	2.598	1.811	1.417	0.881 (lbs)	103	151023	148003
	32 - 18	1.692 - 2.125	2.598	1.811	1.417	0.881 (lbs)	104	151003	148003
	40 - 22	1.692 - 2.125	2.598	1.811	1.417	1.543 (lbs)	104	151003	148018
	40 - 22	2.086 - 2.598	2.953	2.165	1.417	1.543 (lbs)	103	151023	148018
	40 - 22	2.086 - 2.598	2.953	2.165	-	1.543 (lbs)	103	151024	148004
	40 - 22	2.086 - 2.598	2.953	2.165	-	1.543 (lbs)	104	151004	148004
	50 - 28	2.559 - 3.267	2.953	2.165	-	2.425 (lbs)	103	151025	148005
	50 - 28	2.559 - 3.267	2.953	2.165	-	2.425 (lbs)	104	151005	148005
	63 - 36	3.228 - 4.055	3.543	2.362	-	4.188 (lbs)	103	151026	148006
	63 - 36	3.228 - 4.055	3.543	2.362	-	4.188 (lbs)	104	151086	148006
	63 - 36	3.228 - 4.055	3.543	2.362	-	4.188 (lbs)	105	151006	148006
	m	25 - 14	29.00 - 37.00	56.00	42.00	-	0.20 (kg)	103	151001
25 - 14		36.00 - 44.00	56.00	42.00	30.00	0.20 (kg)	103	151002	148002
32 - 18		36.00 - 44.00	56.00	42.00	30.00	0.40 (kg)	103	151002	148017
32 - 18		43.00 - 54.00	66.00	46.00	36.00	0.40 (kg)	103	151023	148003
32 - 18		43.00 - 54.00	66.00	46.00	36.00	0.40 (kg)	104	151003	148003
40 - 22		43.00 - 54.00	66.00	46.00	36.00	0.70 (kg)	104	151003	148018
40 - 22		53.00 - 66.00	75.00	55.00	36.00	0.70 (kg)	103	151023	148018
40 - 22		53.00 - 66.00	75.00	55.00	-	0.70 (kg)	103	151024	148004
40 - 22		53.00 - 66.00	75.00	55.00	-	0.70 (kg)	104	151004	148004
50 - 28		65.00 - 83.00	75.00	55.00	-	1.10 (kg)	103	151025	148005
50 - 28		65.00 - 83.00	75.00	55.00	-	1.10 (kg)	104	151005	148005
63 - 36		82.00 - 103.00	90.00	60.00	-	1.90 (kg)	103	151026	148006
63 - 36		82.00 - 103.00	90.00	60.00	-	1.90 (kg)	104	151086	148006
63 - 36		82.00 - 103.00	90.00	60.00	-	1.90 (kg)	105	151006	148006

NOTE: Insert holders sold in quantities of 1 and inserts sold separately



i = Imperial (in)

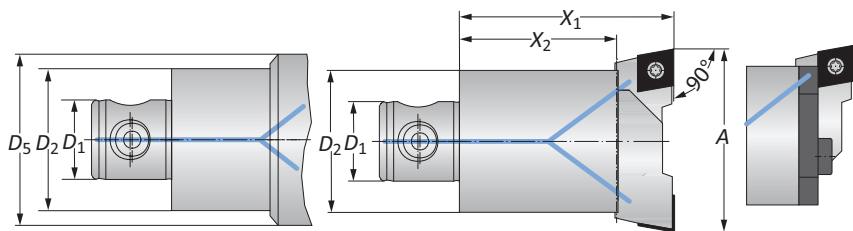
m = Metric (mm)

Inserts sold separately

IMPORTANT: Max spindle speed refers to maximum possible speed for an individual boring head and is not a recommended parameter. Refer to page B10-N: 10 for recommended application-specific parameters. Factory technical assistance is available for your specific applications through our Application Engineering department.
 ext: 7611 | email: appeng@alliedmachine.com

Twin Cutters Same Level

90° | Diameter Range: 3.937" - 8.070" (100.00mm - 205.00mm)



Connection	Boring Range	Twin Cutter				Weight	Insert Form	Part No.	
		D_2 D_1	A	X_1	X_2			D_5	Insert Holder
i	80 - 36	3.937 - 5.118	3.543	2.362	-	6.613 (lbs)	104	151087	148007*
	80 - 36	3.937 - 5.118	3.543	2.362	-	6.613 (lbs)	105	151007	148007*
	80 - 36	3.937 - 5.118	3.543	2.362	-	6.613 (lbs)	103	151027	148007*
	80 - 36	4.921 - 6.102	3.543	2.362	-	7.054 (lbs)	104	151088	148007*
	80 - 36	4.921 - 6.102	3.543	2.362	-	7.054 (lbs)	105	151008	148007*
	80 - 36	4.921 - 6.102	3.543	2.362	-	7.054 (lbs)	103	151028	148007*
	80 - 36	5.905 - 8.070	3.543	2.362	4.921	8.818 (lbs)	104	151088	148009*
	80 - 36	5.905 - 8.070	3.543	2.362	4.921	8.818 (lbs)	105	151008	148009*
	80 - 36	5.905 - 8.070	3.543	2.362	4.921	8.818 (lbs)	103	151028	148009*
m	80 - 36	100.00 - 130.00	90.00	60.00	-	3.00 (kg)	104	151087	148007*
	80 - 36	100.00 - 130.00	90.00	60.00	-	3.00 (kg)	105	151007	148007*
	80 - 36	100.00 - 130.00	90.00	60.00	-	3.00 (kg)	103	151027	148007*
	80 - 36	125.00 - 155.00	90.00	60.00	-	3.20 (kg)	104	151088	148007*
	80 - 36	125.00 - 155.00	90.00	60.00	-	3.20 (kg)	105	151008	148007*
	80 - 36	125.00 - 155.00	90.00	60.00	-	3.20 (kg)	103	151028	148007*
	80 - 36	150.00 - 205.00	90.00	60.00	125.00	4.00 (kg)	104	151088	148009*
	80 - 36	150.00 - 205.00	90.00	60.00	125.00	4.00 (kg)	105	151008	148009*
	80 - 36	150.00 - 205.00	90.00	60.00	125.00	4.00 (kg)	103	151028	148009*

NOTE: Insert holders sold in quantities of 1 and inserts sold separately
 *For aluminum serrated tool bodies, use item number 348007 and 348009

Key on B10-D: 1

B10-N: 10-13

B10-D: 23

B10-H

B10-F

B10: xii-xiii

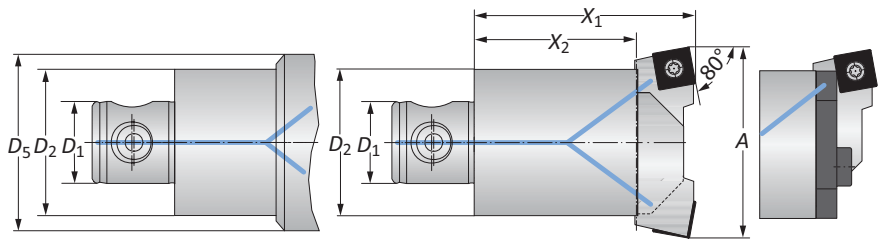
i = Imperial (in)
 m = Metric (mm)

Inserts sold separately

IMPORTANT: Max spindle speed refers to maximum possible speed for an individual boring head and is not a recommended parameter. Refer to page B10-N: 10 for recommended application-specific parameters. Factory technical assistance is available for your specific applications through our Application Engineering department.
 ext: 7611 | email: appeng@alliedmachine.com

Twin Cutters Same Level

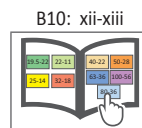
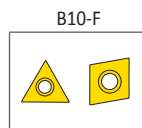
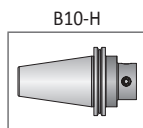
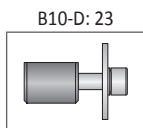
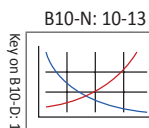
80° | Diameter Range: 1.141" - 8.070" (29.00mm - 205.00mm)



Connection	Boring Range	Twin Cutter			Weight	Insert Form	Part No.		
		D_2 D_1	A	X_1			X_2	D_5	Insert Holder
i	25 - 14	1.141 - 1.456	2.205	1.653	-	0.440 (lbs)	112	151011	148001
	25 - 14	1.417 - 1.732	2.205	1.653	1.181	0.440 (lbs)	112	151012	148002
	32 - 18	1.417 - 1.732	2.441	1.653	1.181	0.881 (lbs)	112	151012	148017
	32 - 18	1.692 - 2.125	2.598	1.811	1.417	0.440 (lbs)	113	151013	148003
	40 - 22	1.692 - 2.125	2.598	1.811	1.417	1.543 (lbs)	113	151013	148018
	40 - 22	2.086 - 2.598	2.952	1.811	1.417	1.543 (lbs)	113	151014	148004
	50 - 28	2.559 - 3.267	2.952	2.165	-	2.425 (lbs)	113	151015	148005
	63 - 36	3.228 - 4.055	3.543	2.165	-	5.070 (lbs)	113	151036	148006
	80 - 36	3.937 - 5.118	3.543	2.165	-	6.613 (lbs)	113	151037	148007*
	80 - 36	3.937 - 6.102	3.543	2.362	-	7.054 (lbs)	113	151038	148007*
m	25 - 14	29.00 - 37.00	56.00	42.00	-	0.20 (kg)	112	151011	148001
	25 - 14	36.00 - 44.00	56.00	42.00	30.00	0.20 (kg)	112	151012	148002
	32 - 18	36.00 - 44.00	62.00	42.00	30.00	0.40 (kg)	112	151012	148017
	32 - 18	43.00 - 54.00	66.00	46.00	36.00	0.40 (kg)	113	151013	148003
	40 - 22	43.00 - 54.00	66.00	46.00	36.00	0.70 (kg)	113	151013	148018
	40 - 22	53.00 - 66.00	75.00	46.00	36.00	0.70 (kg)	113	151014	148004
	50 - 28	65.00 - 83.00	75.00	55.00	-	1.10 (kg)	113	151015	148005
	63 - 36	82.00 - 103.00	90.00	55.00	-	2.30 (kg)	113	151036	148006
	80 - 36	100.00 - 130.00	90.00	55.00	-	3.00 (kg)	113	151037	148007*
	80 - 36	100.00 - 155.00	90.00	60.00	-	3.20 (kg)	113	151038	148007*
80 - 36	150.00 - 205.00	90.00	60.00	125.00	4.00 (kg)	113	151038	148009*	

NOTE: Insert holders sold in quantities of 1 and inserts sold separately

*For aluminum serrated tool bodies, use item number 348007 and 348009



i = Imperial (in)

m = Metric (mm)

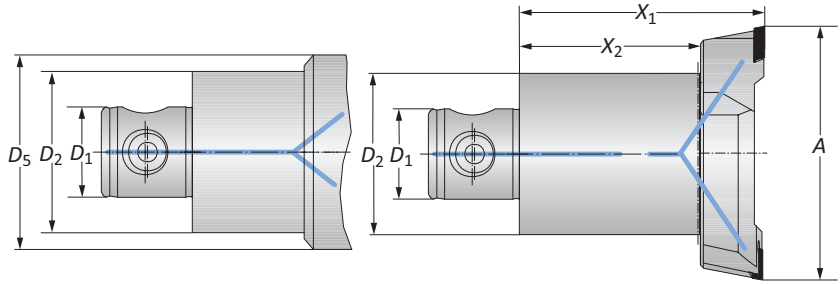
Inserts sold separately

IMPORTANT: Max spindle speed refers to maximum possible speed for an individual boring head and is not a recommended parameter. Refer to page B10-N: 10 for recommended application-specific parameters. Factory technical assistance is available for your specific applications through our Application Engineering department.

ext: 7611 | email: appeng@alliedmachine.com

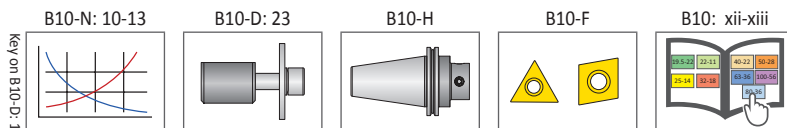
Twin Cutters Same Level Tangential Inserts

Diameter Range: 2.086" - 8.070" (53.00mm - 205.00mm)



Connection	Boring Range	Twin Cutter			Weight	Insert Form	Part No.		
		D_2 D_1	A	X_1			X_2	D_5	Insert Holder
i	40 - 22	2.086 - 2.598	2.953	2.165	-	1.543 (lbs)	04	151022	148004
	50 - 28	2.559 - 3.267	2.953	2.165	-	2.204 (lbs)	04	151032	148005
	50 - 28	2.559 - 3.267	2.953	2.165	-	2.204 (lbs)	05	151043	148005
	63 - 36	3.228 - 4.055	3.543	2.362	-	4.850 (lbs)	05	151035	148006
	80 - 36	3.937 - 5.118	3.543	2.362	-	6.613 (lbs)	05	151009	148007*
	80 - 36	4.921 - 6.102	3.543	2.362	-	6.843 (lbs)	05	151010	148007*
m	80 - 36	5.905 - 8.070	3.543	2.362	4.921	8.818 (lbs)	05	151010	148009*
	40 - 22	53.00 - 66.00	75.00	55.00	-	0.70 (kg)	04	151022	148004
	50 - 28	65.00 - 83.00	75.00	55.00	-	1.00 (kg)	04	151032	148005
	50 - 28	65.00 - 83.00	75.00	55.00	-	1.00 (kg)	05	151043	148005
	63 - 36	82.00 - 103.00	90.00	60.00	-	2.20 (kg)	05	151035	148006
	80 - 36	100.00 - 130.00	90.00	60.00	-	3.00 (kg)	05	151009	148007*
m	80 - 36	125.00 - 155.00	90.00	60.00	-	3.10 (kg)	05	151010	148007*
	80 - 36	150.00 - 205.00	90.00	60.00	125.00	4.00 (kg)	05	151010	148009*

NOTE: Insert holders sold in quantities of 1 and inserts sold separately
 *For aluminum serrated tool bodies, use item number 348007 and 348009



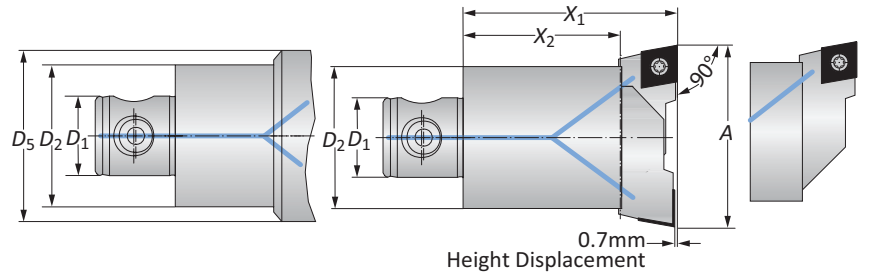
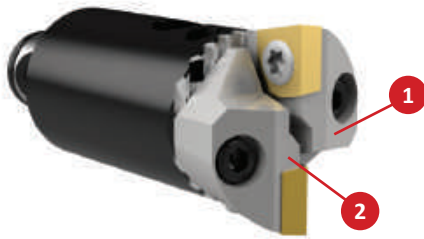
i = Imperial (in)
 m = Metric (mm)

Inserts sold separately

IMPORTANT: Max spindle speed refers to maximum possible speed for an individual boring head and is not a recommended parameter. Refer to page B10-N: 10 for recommended application-specific parameters. Factory technical assistance is available for your specific applications through our Application Engineering department.
 ext: 7611 | email: appeng@alliedmachine.com

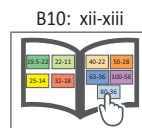
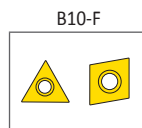
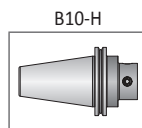
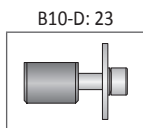
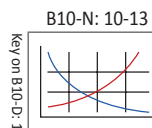
Twin Cutters Height Displaced

Diameter Range: 1.141" - 4.055" (29.00mm - 103.00mm)



Connection	Boring Range	Twin Cutter				Weight	Insert Form	Part No.		
		$D_2 D_1$	A	X_1	X_2			D_5	1 Insert Holder	2. Insert Holder
i	25 - 14	1.141 - 1.456	2.205	1.653	-	0.440 (lbs)	103	151001	151061	148001
	25 - 14	1.417 - 1.732	2.205	1.653	1.811	0.440 (lbs)	103	151002	151062	148002
	32 - 18	1.417 - 1.732	2.205	1.653	1.811	0.881 (lbs)	103	151002	151062	148017
	32 - 18	1.692 - 2.125	2.598	1.811	1.417	0.881 (lbs)	104	151003	151093	148003
	40 - 22	1.692 - 2.125	2.598	1.811	1.417	1.543 (lbs)	104	151003	151093	148018
	40 - 22	2.086 - 2.598	2.953	2.165	-	1.543 (lbs)	104	151004	151094	148004
	50 - 28	2.559 - 3.267	2.953	2.165	-	2.425 (lbs)	104	151005	151095	148005
	63 - 36	3.229 - 4.055	3.543	2.362	-	5.291 (lbs)	104	151086	151090	148006
	63 - 36	3.229 - 4.055	3.543	2.362	-	5.291 (lbs)	105	151006	151096	148006
m	25 - 14	29.00 - 37.00	56.00	42.00	-	0.20 (kg)	103	151001	151061	148001
	25 - 14	36.00 - 44.00	56.00	42.00	30.00	0.20 (kg)	103	151002	151062	148002
	32 - 18	36.00 - 44.00	56.00	42.00	30.00	0.40 (kg)	103	151002	151062	148017
	32 - 18	43.00 - 54.00	66.00	46.00	36.00	0.40 (kg)	104	151003	151093	148003
	40 - 22	43.00 - 54.00	66.00	46.00	36.00	0.70 (kg)	104	151003	151093	148018
	40 - 22	53.00 - 66.00	75.00	55.00	-	0.70 (kg)	104	151004	151094	148004
	50 - 28	65.00 - 83.00	75.00	55.00	-	1.10 (kg)	104	151005	151095	148005
	63 - 36	82.00 - 103.00	90.00	60.00	-	2.40 (kg)	104	151086	151090	148006
	63 - 36	82.00 - 103.00	90.00	60.00	-	2.40 (kg)	105	151006	151096	148006

NOTE: Insert holders sold in quantities of 1 and inserts sold separately



i = Imperial (in)

m = Metric (mm)

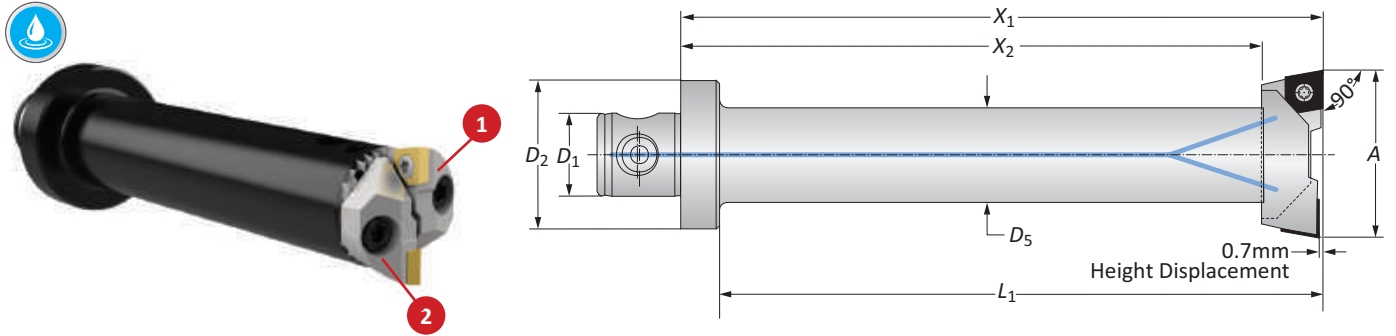
Inserts sold separately

IMPORTANT: Max spindle speed refers to maximum possible speed for an individual boring head and is not a recommended parameter. Refer to page B10-N: 10 for recommended application-specific parameters. Factory technical assistance is available for your specific applications through our Application Engineering department.

ext: 7611 | email: appeng@alliedmachine.com

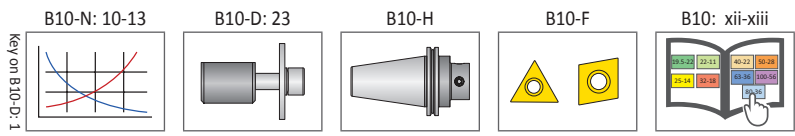
Twin Cutters Height Displaced

5xD | Diameter Range: 1.141" - 2.598" (29.00mm - 66.00mm)



Connection	Boring Range	Twin Cutter					Weight	Insert Form	Part No.		
		D_2 D_1	A	X_1	X_2	L_1			D_5	1. Insert Holder	2. Insert Holder
i	50 - 28	1.141 - 1.456	6.102	5.551	5.590	1.023	1.984 (lbs)	103	151001	151061	148021
	50 - 28	1.417 - 1.732	6.889	6.338	6.377	1.259	2.866 (lbs)	103	151002	151062	148022
	50 - 28	1.692 - 2.125	8.465	7.677	7.952	1.456	4.188 (lbs)	104	151003	151093	148023
	50 - 28	2.086 - 2.598	8.465	7.677	7.951	1.732	5.511 (lbs)	104	151004	151094	148024
m	50 - 28	29.00 - 37.00	155.00	141.00	142.00	26.00	0.90 (kg)	103	151001	151061	148021
	50 - 28	36.00 - 44.00	175.00	161.00	162.00	32.00	1.30 (kg)	103	151002	151062	148022
	50 - 28	43.00 - 54.00	215.00	195.00	202.00	37.00	1.90 (kg)	104	151003	151093	148023
	50 - 28	53.00 - 66.00	215.00	195.00	202.00	44.00	2.50 (kg)	104	151004	151094	148024

NOTE: Different lengths available upon request.
 NOTE: Insert holders sold in quantities of 1 and inserts sold separately



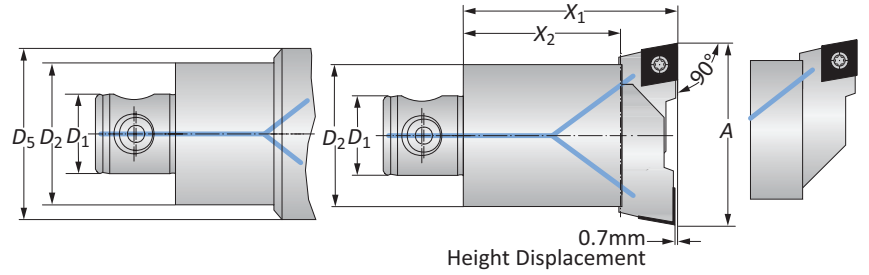
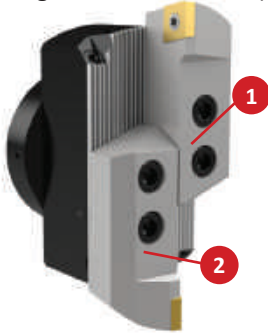
i = Imperial (in)
 m = Metric (mm)
 Inserts sold separately

IMPORTANT: Max spindle speed refers to maximum possible speed for an individual boring head and is not a recommended parameter. Refer to page B10-N: 10 for recommended application-specific parameters. Factory technical assistance is available for your specific applications through our Application Engineering department.
 ext: 7611 | email: appeng@alliedmachine.com

A
B
C
D
E
F
G
H
I
J
K
L
M
N
INDEX

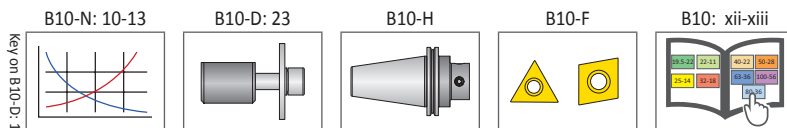
Twin Cutters Height Displaced

Diameter Range: 3.937" - 8.070" (100.00mm - 205.00mm)



	Connection	Boring Range	Twin Cutter			Weight	Insert Form	Part No.		
			$D_2 D_1$	A	X_1			X_2	D_5	1. Insert Holder
i	80 - 36	3.937 - 5.118	3.543	2.362	-	6.613 (lbs)	104	151087	151091	148007*
	80 - 36	3.937 - 5.118	3.543	2.362	-	6.613 (lbs)	105	151007	151097	148007*
	80 - 36	4.921 - 6.102	3.543	2.362	-	7.054 (lbs)	104	151088	151092	148007*
	80 - 36	4.921 - 6.102	3.543	2.362	-	7.054 (lbs)	105	151008	151098	148007*
	80 - 36	5.905 - 8.070	3.543	2.362	4.921	8.818 (lbs)	104	151088	151092	148009*
	80 - 36	5.905 - 8.070	3.543	2.362	4.921	8.818 (lbs)	105	151008	151098	148009*
m	80 - 36	100.00 - 130.00	90.00	60.00	-	3.00 (kg)	104	151087	151091	148007*
	80 - 36	100.00 - 130.00	90.00	60.00	-	3.00 (kg)	105	151007	151097	148007*
	80 - 36	125.00 - 155.00	90.00	60.00	-	3.20 (kg)	104	151088	151092	148007*
	80 - 36	125.00 - 155.00	90.00	60.00	-	3.20 (kg)	105	151008	151098	148007*
	80 - 36	150.00 - 205.00	90.00	60.00	125.00	4.00 (kg)	104	151088	151092	148009*
	80 - 36	150.00 - 205.00	90.00	60.00	125.00	4.00 (kg)	105	151008	151098	148009*

NOTE: Insert holders sold in quantities of 1 and inserts sold separately
 *For aluminum serrated tool bodies, use item number 348007 and 348009



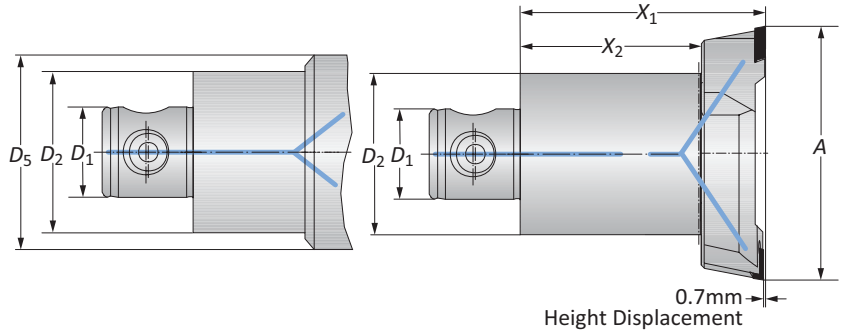
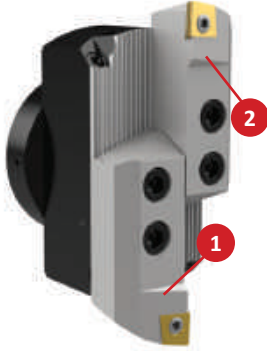
i = Imperial (in)
 m = Metric (mm)

Inserts sold separately

IMPORTANT: Max spindle speed refers to maximum possible speed for an individual boring head and is not a recommended parameter. Refer to page B10-N: 10 for recommended application-specific parameters. Factory technical assistance is available for your specific applications through our Application Engineering department.
 ext: 7611 | email: appeng@alliedmachine.com

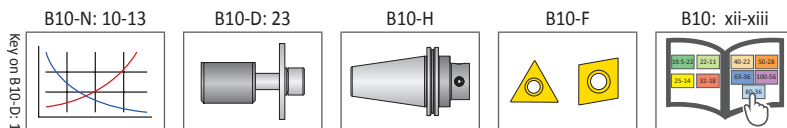
Twin Cutters Height Displaced Tangential Inserts

Diameter Range: 2.086" - 8.070" (53.00mm - 205.00mm)



Connection	Boring Range	Twin Cutter				Weight	Insert Form	Part No.		
		$D_2 D_1$	A	X_1	X_2			D_5	1. Insert Holder	2. Insert Holder
i	40 - 22	2.086 - 2.598	2.953	2.165	-	1.543 (lbs)	04	151022	268009	148004
	50 - 28	2.559 - 3.267	2.953	2.165	-	2.204 (lbs)	04	151032	268010	148005
	50 - 28	2.559 - 3.267	2.953	2.165	-	2.204 (lbs)	05	151043	268019	148005
	63 - 36	3.229 - 4.055	3.543	2.362	-	5.291 (lbs)	04	151034	268020	148006
	63 - 36	3.229 - 4.055	3.543	2.362	-	5.291 (lbs)	05	151035	268021	148006
	80 - 36	3.937 - 5.118	3.543	2.362	-	6.613 (lbs)	05	151009	268022	148007*
	80 - 36	4.921 - 6.102	3.543	2.362	-	6.834 (lbs)	05	151010	268023	148007*
	80 - 36	5.905 - 8.070	3.543	2.362	4.921	8.818 (lbs)	05	151010	268023	149009*
m	40 - 22	53.00 - 66.00	75.00	55.00	-	0.70 (kg)	04	151022	268009	148004
	50 - 28	65.00 - 83.00	75.00	55.00	-	1.00 (kg)	04	151032	268010	148005
	50 - 28	65.00 - 83.00	75.00	55.00	-	1.00 (kg)	05	151043	268019	148005
	63 - 36	82.00 - 103.00	90.00	60.00	-	2.20 (kg)	04	151034	268020	148006
	63 - 36	82.00 - 103.00	90.00	60.00	-	2.20 (kg)	05	151035	268021	148006
	80 - 36	100.00 - 130.00	90.00	60.00	-	3.00 (kg)	05	151009	268022	148007*
	80 - 36	125.00 - 155.00	90.00	60.00	-	3.10 (kg)	05	151010	268023	148007*
	80 - 36	150.00 - 205.00	90.00	60.00	125.00	4.00 (kg)	05	151010	268023	149009*

NOTE: Insert holders sold in quantities of 1 and inserts sold separately
 *For aluminum serrated tool bodies, use item number 348007 and 348009



i = Imperial (in)
 m = Metric (mm)

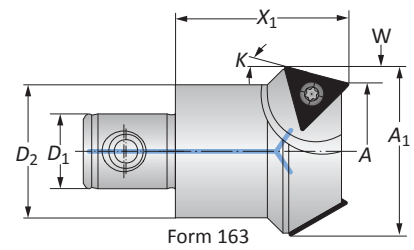
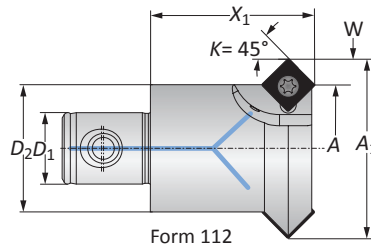
Inserts sold separately

IMPORTANT: Max spindle speed refers to maximum possible speed for an individual boring head and is not a recommended parameter. Refer to page B10-N: 10 for recommended application-specific parameters. Factory technical assistance is available for your specific applications through our Application Engineering department.
 ext: 7611 | email: appeng@alliedmachine.com



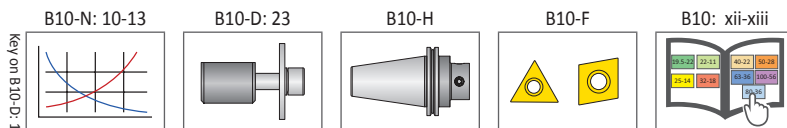
Chamfering Tools

Diameter Range: 0.787" - 1.259" (20.00mm - 32.00mm)



Connection	Approach Angle	Boring Range	Cutter Diameter	Chamfering Tool		Weight	Insert Form	Number of Inserts	Part No.	
				A_1	X_1					W
i	25 - 14	15°	0.984	1.299	1.220	0.157	0.330 (lbs)	163	2	201087
	25 - 14	45°	0.787	1.299	1.220	0.255	0.330 (lbs)	112	2	201082
	32 - 18	15°	1.259	1.574	1.614	0.157	0.440 (lbs)	163	2	201088
	32 - 18	30°	0.984	1.614	1.614	0.314	0.440 (lbs)	163	2	201089
	32 - 18	45°	1.259	1.771	1.614	0.255	0.440 (lbs)	112	3	201083
m	25 - 14	15°	25.00	33.00	31.00	4.00	0.15 (kg)	163	2	201087
	25 - 14	45°	20.00	33.00	31.00	6.50	0.15 (kg)	112	2	201082
	32 - 18	15°	32.00	40.00	41.00	4.00	0.20 (kg)	163	2	201088
	32 - 18	30°	25.00	41.00	41.00	8.00	0.20 (kg)	163	2	201089
	32 - 18	45°	32.00	45.00	41.00	6.50	0.20 (kg)	112	3	201083

NOTE: K 45° for front and reverse side chamfering
 NOTE: Insert holders and inserts sold separately



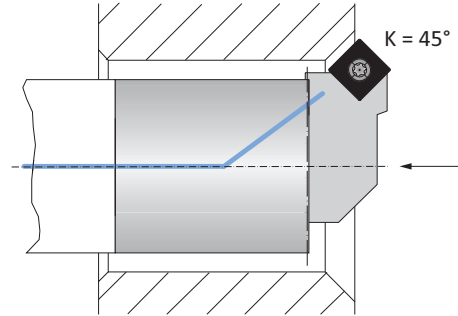
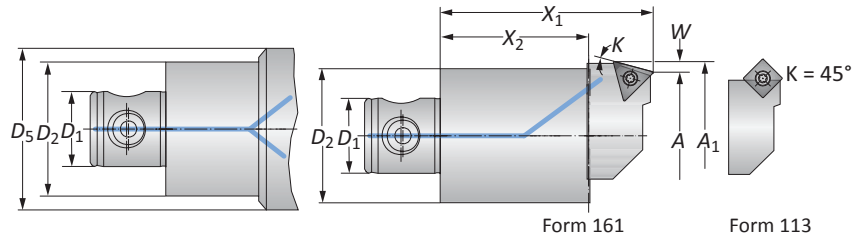
i = Imperial (in)
 m = Metric (mm)

Inserts sold separately

IMPORTANT: Max spindle speed refers to maximum possible speed for an individual boring head and is not a recommended parameter. Refer to page B10-N: 10 for recommended application-specific parameters. Factory technical assistance is available for your specific applications through our Application Engineering department.
 ext: 7611 | email: appeng@alliedmachine.com

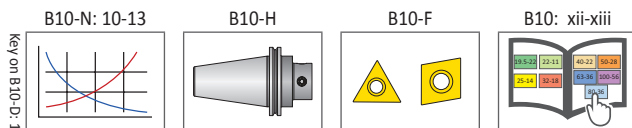
Chamfering Tools

Imperial | Diameter Range: 0.944" - 2.204"



Connection $D_2 D_1$	Approach Angle K	Boring Range A	Chamfering Range A_1	Chamfering Tool				Weight (lbs)	Insert Form	Part No.	
				X_1	X_2	D_5	W			Insert Holder	Serrated Body
25 - 14	15°	0.945 - 1.260	1.141 - 1.456	2.362	1.653	-	0.098	0.440 (lbs)	161	201057	148001
25 - 14	15°	1.220 - 1.535	1.417 - 1.732	2.362	1.653	1.181	0.098	0.440 (lbs)	161	201058	148002
25 - 14	20°	0.866 - 1.181	1.141 - 1.456	2.362	1.653	-	0.138	0.440 (lbs)	161	201017	148001
25 - 14	20°	1.142 - 1.457	1.417 - 1.732	2.362	1.653	1.181	0.138	0.440 (lbs)	161	201018	148002
25 - 14	30°	0.787 - 1.102	1.141 - 1.456	2.362	1.653	-	0.138	0.440 (lbs)	161	201067	148001
25 - 14	30°	1.063 - 1.378	1.417 - 1.732	2.362	1.653	1.181	0.138	0.440 (lbs)	161	201068	148002
25 - 14	45°	0.748 - 1.063	1.141 - 1.456	2.283	1.653	-	0.197	0.440 (lbs)	161	201003*	148001
25 - 14	45°	1.024 - 1.339	1.417 - 1.732	2.283	1.653	-	0.197	0.440 (lbs)	161	201004*	148001
25 - 14	45°	1.220 - 1.535	1.692 - 2.007	2.362	1.653	1.181	0.236	0.440 (lbs)	112	201007	148002
32 - 18	15°	1.220 - 1.535	1.417 - 1.732	2.362	1.653	1.181	0.098	0.440 (lbs)	161	201058	148017
32 - 18	20°	1.142 - 1.457	1.417 - 1.732	2.362	1.653	1.181	0.138	0.440 (lbs)	161	201018	148017
32 - 18	30°	1.063 - 1.378	1.417 - 1.732	2.362	1.653	1.181	0.138	0.440 (lbs)	161	201068	148017
32 - 18	45°	1.220 - 1.535	1.692 - 2.007	2.362	1.653	1.181	0.236	0.440 (lbs)	112	201007	148017
32 - 18	15°	1.378 - 1.811	1.692 - 2.125	2.795	1.811	1.417	0.157	0.881 (lbs)	163	201059	148003
32 - 18	20°	1.299 - 1.732	1.692 - 2.125	2.795	1.811	1.417	0.197	0.881 (lbs)	163	201019	148003
32 - 18	45°	1.378 - 1.811	1.196 - 2.401	2.598	1.811	1.417	0.295	0.881 (lbs)	113	201008	148003
40 - 22	15°	1.378 - 1.811	1.692 - 2.125	2.795	1.811	1.417	0.157	0.881 (lbs)	163	201059	148018
40 - 22	20°	1.299 - 1.732	1.692 - 2.125	2.795	1.811	1.417	0.197	0.881 (lbs)	163	201019	148018
40 - 22	45°	1.378 - 1.811	1.196 - 2.401	2.598	1.811	1.417	0.295	0.881 (lbs)	113	201008	148018
40 - 22	15°	1.457 - 1.969	1.771 - 2.283	3.150	2.165	-	0.157	1.543 (lbs)	163	201060	148004
40 - 22	20°	1.457 - 1.969	1.850 - 2.362	3.150	2.165	-	0.197	1.543 (lbs)	163	201020	148004
40 - 22	45°	1.963 - 2.205	2.283 - 2.795	3.150	2.165	-	0.295	1.543 (lbs)	113	201009	148004

*Insert holder cannot be used for reverse machining.
NOTE: K 45° for front and reverse side chamfering above \varnothing 1.220"
NOTE: Insert holders and inserts sold separately



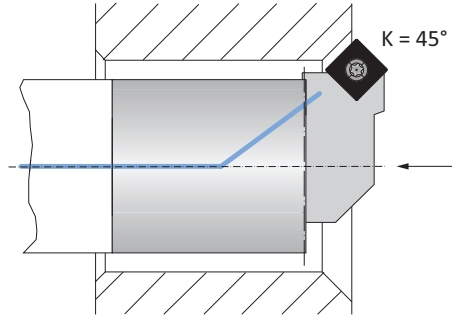
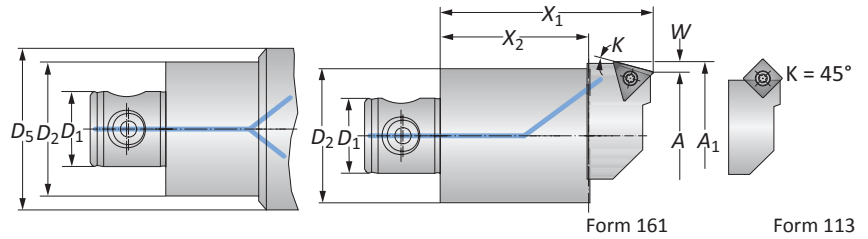
i = Imperial (in)
m = Metric (mm)

Inserts sold separately

IMPORTANT: Max spindle speed refers to maximum possible speed for an individual boring head and is not a recommended parameter. Refer to page B10-N: 10 for recommended application-specific parameters. Factory technical assistance is available for your specific applications through our Application Engineering department.
 ext: 7611 | email: appeng@alliedmachine.com

Chamfering Tools

Metric | Diameter Range: (24.00mm - 56.00mm)



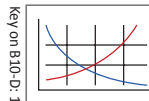
Connection $D_2 D_1$	Approach Angle K	Boring Range A	Chamfering Range A_1	Chamfering Tool				Weight (lbs)	Insert Form	Part No.	
				X_1	X_2	D_5	W			Insert Holder	Serrated Body
25 - 14	15°	24.00 - 32.00	29.00 - 37.00	60.00	42.00	-	2.50	0.20 (kg)	161	201057	148001
25 - 14	15°	31.00 - 39.00	36.00 - 44.00	60.00	42.00	30.00	2.50	0.20 (kg)	161	201058	148002
25 - 14	20°	22.00 - 30.00	29.00 - 37.00	60.00	42.00	-	3.50	0.20 (kg)	161	201017	148001
25 - 14	20°	29.00 - 37.00	36.00 - 44.00	60.00	42.00	30.00	3.50	0.20 (kg)	161	201018	148002
25 - 14	30°	20.00 - 28.00	29.00 - 37.00	60.00	42.00	-	3.50	0.20 (kg)	161	201067	148001
25 - 14	30°	27.00 - 35.00	36.00 - 44.00	60.00	42.00	30.00	3.50	0.20 (kg)	161	201068	148002
25 - 14	45°	19.00 - 27.00	29.00 - 37.00	58.00	42.00	-	5.00	0.20 (kg)	161	201003	148001
25 - 14	45°	26.00 - 34.00	36.00 - 44.00	58.00	42.00	-	5.00	0.20 (kg)	161	201004	148001
25 - 14	45°	31.00 - 39.00	43.00 - 51.00	60.00	42.00	30.00	6.00	0.20 (kg)	112	201007	148002
32 - 18	15°	31.00 - 39.00	36.00 - 44.00	60.00	42.00	30.00	2.50	0.20 (kg)	161	201058	148017
32 - 18	20°	29.00 - 37.00	36.00 - 44.00	60.00	42.00	30.00	3.50	0.20 (kg)	161	201018	148017
32 - 18	30°	27.00 - 35.00	36.00 - 44.00	60.00	42.00	30.00	3.50	0.20 (kg)	161	201068	148017
32 - 18	45°	31.00 - 39.00	43.00 - 51.00	60.00	42.00	30.00	6.00	0.20 (kg)	112	201077	148017
32 - 18	15°	35.00 - 46.00	43.00 - 54.00	71.00	46.00	36.00	4.00	0.40 (kg)	163	201059	148003
32 - 18	20°	33.00 - 44.00	43.00 - 54.00	71.00	46.00	36.00	5.00	0.40 (kg)	163	201019	148003
32 - 18	45°	35.00 - 46.00	50.00 - 61.00	66.00	46.00	36.00	7.50	0.40 (kg)	113	201008	148003
40 - 22	15°	35.00 - 46.00	43.00 - 54.00	71.00	46.00	36.00	4.00	0.40 (kg)	163	201059	148018
40 - 22	20°	33.00 - 44.00	43.00 - 54.00	71.00	46.00	36.00	5.00	0.40 (kg)	163	201019	148018
40 - 22	45°	35.00 - 46.00	50.00 - 61.00	66.00	46.00	36.00	7.50	0.40 (kg)	113	201008	148018
40 - 22	15°	37.00 - 50.00	45.00 - 58.00	80.00	55.00	-	4.00	0.70 (kg)	163	201060	148004
40 - 22	20°	37.00 - 50.00	47.00 - 60.00	80.00	55.00	-	5.00	0.70 (kg)	163	201020	148004
40 - 22	45°	43.00 - 56.00	58.00 - 71.00	80.00	55.00	-	7.50	0.70 (kg)	113	201009	148004

*Insert holder cannot be used for reverse machining.

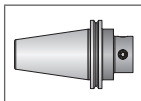
NOTE: K 45° for front and reverse side chamfering above \varnothing 31.00mm

NOTE: Insert holders and inserts sold separately

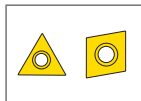
B10-N: 10-13



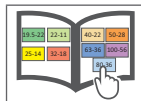
B10-H



B10-F



B10: xii-xiii



i = Imperial (in)

m = Metric (mm)

Inserts sold separately

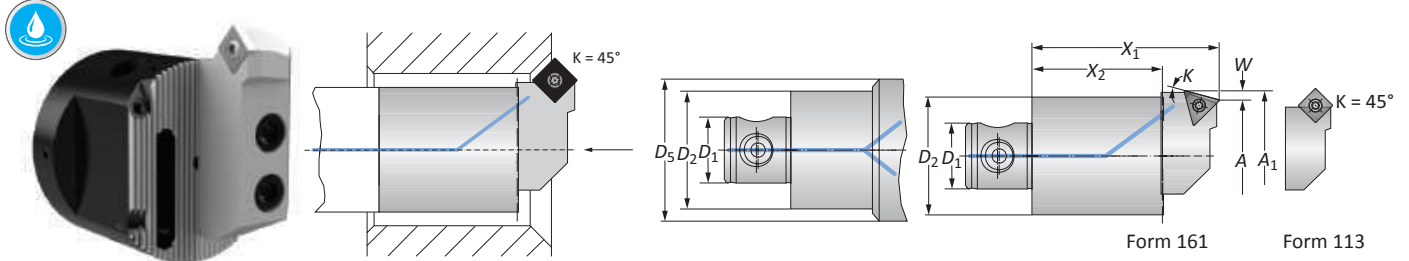
IMPORTANT: Max spindle speed refers to maximum possible speed for an individual boring head and is not a recommended parameter. Refer to page B10-N: 10 for recommended application-specific parameters. Factory technical assistance is available for your specific applications through our Application Engineering department.

ext: 7611 | email: appeng@alliedmachine.com

A
B
C
D
E
F
G
H
I
J
K
L
M
N
INDEX

Chamfering Tools

Diameter Range: 1.968" - 7.913" (50.00mm - 201.00mm)

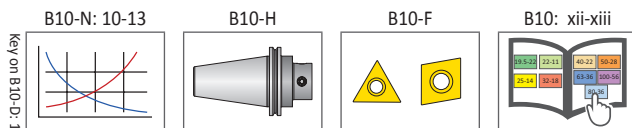


Connection	Approach Angle	Boring Range	Chamfering Range	Chamfering Tool				Weight	Insert Form	Part No.	
				D ₂ D ₁	K	A	A ₁			X ₁	X ₂
50 - 28	15°	1.968 - 2.677	2.283 - 2.992	3.150	2.165	-	0.157	2.204 (lbs)	163	201061	148005
50 - 28	20°	1.968 - 2.677	2.362 - 3.070	3.150	2.165	-	0.197	2.204 (lbs)	163	201021	148005
50 - 28	30°	1.968 - 2.677	2.559 - 3.267	3.150	2.165	-	0.197	2.204 (lbs)	163	201071	148005
50 - 28	45°	2.165 - 2.874	2.755 - 3.464	3.150	2.165	-	0.295	2.204 (lbs)	113	201010	148005
63 - 36	15°	2.677 - 3.503	2.992 - 3.818	3.543	2.362	-	0.157	4.188 (lbs)	163	201062	148006
63 - 36	20°	2.677 - 3.503	3.070 - 3.897	3.543	2.362	-	0.197	4.188 (lbs)	163	201022	148006
63 - 36	45°	2.834 - 3.661	3.425 - 4.251	3.543	2.362	-	0.295	4.188 (lbs)	113	201011	148006
80 - 36	15°	3.503 - 4.685	3.818 - 5.000	3.543	2.362	-	0.157	5.732 (lbs)	163	201063	148007*
80 - 36	15°	4.685 - 5.866	5.000 - 6.259	3.543	2.362	-	0.157	5.952 (lbs)	163	201064	148007*
80 - 36	15°	5.669 - 7.834	5.984 - 8.149	3.543	2.362	4.921	0.157	7.936 (lbs)	163	201064	148009*
80 - 36	20°	3.503 - 4.685	3.989 - 5.078	3.543	2.362	-	0.197	5.732 (lbs)	163	201023	148007*
80 - 36	20°	4.685 - 5.866	5.078 - 6.259	3.543	2.362	-	0.197	5.952 (lbs)	163	201024	148007*
80 - 36	20°	5.669 - 7.834	6.062 - 8.228	3.543	2.362	4.921	0.197	7.936 (lbs)	163	201024	148009*
80 - 36	30°	3.503 - 4.685	4.094 - 5.275	3.543	2.362	-	0.197	5.732 (lbs)	163	201073	148007*
80 - 36	30°	4.685 - 5.866	5.275 - 6.456	3.543	2.362	-	0.197	5.952 (lbs)	163	201074	148007*
80 - 36	30°	5.666 - 7.834	6.259 - 8.425	3.543	2.362	4.921	0.197	7.936 (lbs)	163	201074	148009*
80 - 36	45°	3.622 - 4.803	4.212 - 5.393	3.543	2.362	-	0.295	5.732 (lbs)	113	201012	148007*
80 - 36	45°	4.763 - 5.944	5.354 - 6.535	3.543	2.362	-	0.295	5.952 (lbs)	113	201013	148007*
80 - 36	45°	5.748 - 7.913	6.338 - 8.503	3.543	2.362	4.921	0.295	7.936 (lbs)	113	201013	148009*
50 - 28	15°	50.00 - 68.00	58.00 - 76.00	80.00	55.00	-	4.00	1.00 (kg)	163	201061	148005
50 - 28	20°	50.00 - 68.00	60.00 - 78.00	80.00	55.00	-	5.00	1.00 (kg)	163	201021	148005
50 - 28	30°	50.00 - 68.00	65.00 - 83.00	80.00	55.00	-	5.00	1.00 (kg)	163	201071	148005
50 - 28	45°	55.00 - 73.00	70.00 - 88.00	80.00	55.00	-	7.50	1.00 (kg)	113	201010	148005
63 - 36	15°	68.00 - 89.00	76.00 - 97.00	90.00	60.00	-	4.00	1.90 (kg)	163	201062	148006
63 - 36	20°	68.00 - 89.00	78.00 - 99.00	90.00	60.00	-	5.00	1.90 (kg)	163	201022	148006
63 - 36	45°	72.00 - 93.00	87.00 - 108.00	90.00	60.00	-	7.50	1.90 (kg)	113	201011	148006
80 - 36	15°	89.00 - 119.00	97.00 - 127.00	90.00	60.00	-	4.00	2.60 (kg)	163	201063	148007*
80 - 36	15°	119.00 - 149.00	127.00 - 159.00	90.00	60.00	-	4.00	2.70 (kg)	163	201064	148007*
80 - 36	15°	144.00 - 199.00	152.00 - 207.00	90.00	60.00	125.00	4.00	3.60 (kg)	163	201064	148009*
80 - 36	20°	89.00 - 119.00	99.00 - 129.00	90.00	60.00	-	5.00	2.60 (kg)	163	201023	148007*
80 - 36	20°	119.00 - 149.00	129.00 - 159.00	90.00	60.00	-	5.00	2.70 (kg)	163	201024	148007*
80 - 36	20°	144.00 - 199.00	154.00 - 209.00	90.00	60.00	125.00	5.00	3.60 (kg)	163	201024	148009*
80 - 36	30°	89.00 - 119.00	104.00 - 134.00	90.00	60.00	-	5.00	2.60 (kg)	163	201073	148007*
80 - 36	30°	119.00 - 149.00	134.00 - 164.00	90.00	60.00	-	5.00	2.70 (kg)	163	201074	148007*
80 - 36	30°	144.00 - 199.00	159.00 - 214.00	90.00	60.00	125.00	5.00	3.60 (kg)	163	201074	148009*
80 - 36	45°	92.00 - 122.00	107.00 - 137.00	90.00	60.00	-	7.50	2.60 (kg)	113	201012	148007*
80 - 36	45°	121.00 - 151.00	136.00 - 166.00	90.00	60.00	-	7.50	2.70 (kg)	113	201013	148007*
80 - 36	45°	146.00 - 201.00	161.00 - 216.00	90.00	60.00	125.00	7.50	3.60 (kg)	113	201013	148009*

NOTE: K 45° = front and reverse side chamfering

NOTE: Insert holders and inserts sold separately

*For aluminum serrated tool bodies, use item number 348007 and 348009



ⓘ = Imperial (in)

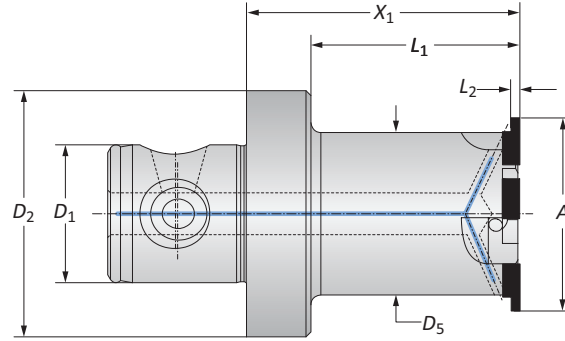
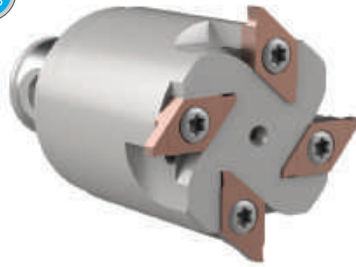
Ⓜ = Metric (mm)

Inserts sold separately

IMPORTANT: Max spindle speed refers to maximum possible speed for an individual boring head and is not a recommended parameter. Refer to page B10-N: 10 for recommended application-specific parameters. Factory technical assistance is available for your specific applications through our Application Engineering department.
 ext: 7611 | email: appeng@alliedmachine.com

Grooving Tools for Circular Milling

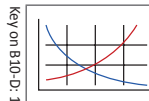
Diameter Range: > Ø 0.787" (20.00mm) 0.787" - 3.110" (20.00mm - 79.00mm)



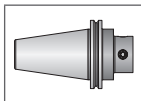
Connection	Cutter Diameter	Grooving Tool				Groove Width	Groove Depth	Number of Inserts	Weight	Insert Form	Part No.
		$D_2 D_1$	A	X_1	L_1						
i	50 - 28	0.787	2.165	1.575	0.669	0.093	0.059	2	0.881 (lbs)	89	143051
	50 - 28	0.787	3.740	3.228	0.669	0.093	0.059	2	0.881 (lbs)	89	143052
	50 - 28	1.535	2.165	1.654	1.299	0.133	0.098	4	1.322 (lbs)	90	143053
	32 - 18	1.535	1.575	1.575	1.299	0.133	0.098	4	0.661 (lbs)	90	143054
	50 - 28	1.929	2.165	1.575	1.692	0.133	0.098	5	1.543 (lbs)	90	143055
	40 - 22	1.929	1.575	1.575	1.692	0.133	0.098	5	1.102 (lbs)	90	143056
	50 - 28	2.480	1.575	1.575	2.086	0.231	0.185	6	1.543 (lbs)	91	143057
	63 - 36	3.110	1.575	1.575	2.716	0.231	0.185	8	2.645 (lbs)	91	143058
ii	50 - 28	20.00	55.00	40.00	17.00	2.37	1.50	2	0.40 (kg)	89	143051
	50 - 28	20.00	95.00	82.00	17.00	2.37	1.50	2	0.40 (kg)	89	143052
	50 - 28	39.00	55.00	42.00	33.00	3.37	2.50	4	0.60 (kg)	90	143053
	32 - 18	39.00	40.00	40.00	33.00	3.37	2.50	4	0.30 (kg)	90	143054
	50 - 28	49.00	55.00	40.00	43.00	3.37	2.50	5	0.70 (kg)	90	143055
	40 - 22	49.00	40.00	40.00	43.00	3.37	2.50	5	0.50 (kg)	90	143056
	50 - 28	63.00	40.00	40.00	53.00	5.87	4.70	6	0.70 (kg)	91	143057
	63 - 36	79.00	40.00	40.00	69.00	5.87	4.70	8	1.20 (kg)	91	143058

NOTE: Different lengths available upon request.
 NOTE: Insert holders and inserts sold separately

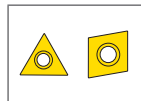
B10-N: 10-13



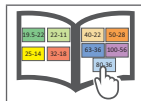
B10-H



B10-F



B10: xii-xiii



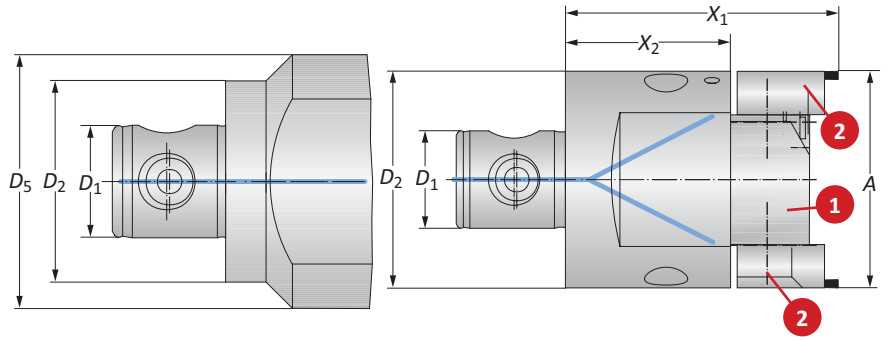
i = Imperial (in)
 ii = Metric (mm)

Inserts sold separately

IMPORTANT: Max spindle speed refers to maximum possible speed for an individual boring head and is not a recommended parameter. Refer to page B10-N: 10 for recommended application-specific parameters. Factory technical assistance is available for your specific applications through our Application Engineering department.
 ext: 7611 | email: appeng@alliedmachine.com

Axial Grooving Tools

Diameter Range: 0.787" - 8.070" (20.00mm - 205.00mm)



	Connection	Boring Range	Grooving Tool			Weight	Part No.			
			$D_2 D_1$	A	X_1		X_2	D_5	1. Support Block	Insert Form
i	50 - 28	0.787 - 2.125	3.268	2.165	2.480	2.866 (lbs)	–	304	226009	148010
	80 - 36	2.086 - 3.267	3.937	2.362	–	5.732 (lbs)	226011	304	226010	148007*
	80 - 36	3.228 - 6.102	3.937	2.362	4.921	8.157 (lbs)	226012	304	226010	148009*
	80 - 36	5.905 - 8.070	3.937	2.362	4.921	8.157 (lbs)	226013	304	226010	148009*
m	50 - 28	20.00 - 54.00	83.00	55.00	63.00	1.30 (kg)	–	304	226009	148010
	80 - 36	53.00 - 83.00	100.00	60.00	–	2.60 (kg)	226011	304	226010	148007*
	80 - 36	82.00 - 155.00	100.00	60.00	125.00	3.70 (kg)	226012	304	226010	148009*
	80 - 36	150.00 - 205.00	100.00	60.00	125.00	3.70 (kg)	226013	304	226010	148009*

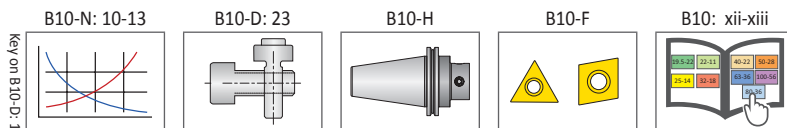
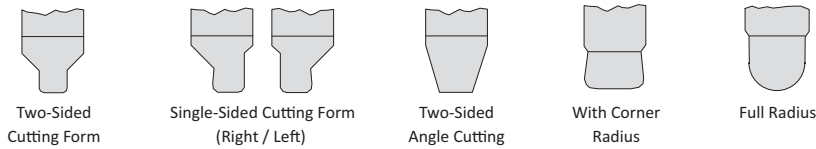
NOTE: Groove width is 0.039" - 0.196" (1.00mm - 5.00mm) | Groove depth is 0.000" - 0.157" (0.00mm - 4.00mm)

NOTE: Support block with machining diameters smaller than 4.842" (123.00mm) can only be secured with one screw

NOTE: Insert holders, support blocks and inserts sold separately

*For aluminum serrated tool bodies, use item number 348007 and 348009

Examples of recessing replaceable inserts:



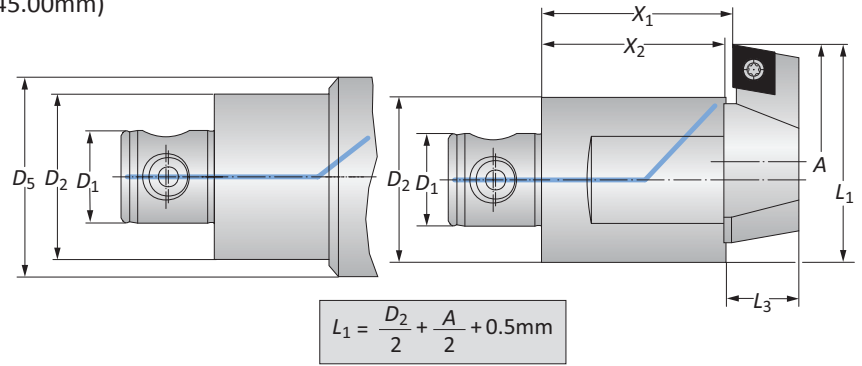
i = Imperial (in)
m = Metric (mm)

Inserts sold separately

IMPORTANT: Max spindle speed refers to maximum possible speed for an individual boring head and is not a recommended parameter. Refer to page B10-N: 10 for recommended application-specific parameters. Factory technical assistance is available for your specific applications through our Application Engineering department.
ext: 7611 | email: appeng@alliedmachine.com

Reverse Machining Tools

Diameter Range: 1.141" - 9.645" (29.00mm - 245.00mm)



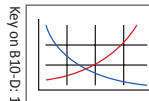
Connection	Boring Range	Reverse Machining					Weight	Insert Form	Insert Holder	Part No.	
		D_2 D_1	A	X_1	X_2	L_3				D_5	Serrated Tool Body
i	25 - 14	1.141 - 1.456	1.575	1.535	0.551	-	0.440 (lbs)	103	251001	148011	
	25 - 14	1.338 - 1.653	1.575	1.535	0.551	-	0.440 (lbs)	103	251002	148011	
	25 - 14	1.417 - 1.732	1.575	1.535	0.551	-	0.440 (lbs)	103	251002	148012	
	25 - 14	1.732 - 2.047	1.575	1.535	0.708	-	0.440 (lbs)	104	251003	148012	
	32 - 18	1.692 - 2.125	1.575	1.535	0.708	-	0.661 (lbs)	104	251003	148013	
	32 - 18	2.165 - 2.598	1.575	1.535	0.708	-	0.881 (lbs)	104	251004	148013	
	40 - 22	2.086 - 2.834	1.575	1.535	0.708	-	1.102 (lbs)	104	251004	148014	
	40 - 22	2.598 - 3.346	1.575	1.535	0.708	-	1.102 (lbs)	104	251005	148014	
	50 - 28	2.755 - 3.740	2.205	2.165	0.866	-	2.425 (lbs)	104	251006	148015	
	50 - 28	3.622 - 4.606	2.205	2.165	0.866	-	2.866 (lbs)	104	251007	148015	
	63 - 36	3.622 - 4.803	2.205	2.165	0.866	-	3.747 (lbs)	104	251007	148016	
	80 - 36	4.724 - 5.905	2.441	2.362	1.023	-	5.952 (lbs)	104	251008	148007*	
	80 - 36	6.535 - 7.716	2.441	2.362	1.023	-	6.393 (lbs)	104	251009	148007*	
	80 - 36	5.708 - 7.874	2.441	2.362	1.023	4.921	7.936 (lbs)	104	251008	148009*	
80 - 36	7.480 - 9.645	2.441	2.362	1.023	4.921	8.157 (lbs)	104	251009	148009*		
m	25 - 14	29.00 - 37.00	40.00	39.00	14.00	-	0.20 (kg)	103	251001	148011	
	25 - 14	34.00 - 42.00	40.00	39.00	14.00	-	0.20 (kg)	103	251002	148011	
	25 - 14	36.00 - 44.00	40.00	39.00	14.00	-	0.20 (kg)	103	251002	148012	
	25 - 14	44.00 - 52.00	40.00	39.00	18.00	-	0.20 (kg)	104	251003	148012	
	32 - 18	43.00 - 54.00	40.00	39.00	18.00	-	0.30 (kg)	104	251003	148013	
	32 - 18	55.00 - 66.00	40.00	39.00	18.00	-	0.40 (kg)	104	251004	148013	
	40 - 22	53.00 - 72.00	40.00	39.00	18.00	-	0.50 (kg)	104	251004	148014	
	40 - 22	66.00 - 85.00	40.00	39.00	18.00	-	0.50 (kg)	104	251005	148014	
	50 - 28	70.00 - 95.00	56.00	55.00	22.00	-	1.00 (kg)	104	251006	148015	
	50 - 28	92.00 - 117.00	56.00	55.00	22.00	-	1.30 (kg)	104	251007	148015	
	63 - 36	92.00 - 122.00	56.00	55.00	22.00	-	1.70 (kg)	104	251007	148016	
	80 - 36	120.00 - 150.00	62.00	60.00	26.00	-	2.70 (kg)	104	251008	148007	
	80 - 36	166.00 - 196.00	62.00	60.00	26.00	-	2.90 (kg)	104	251009	148007*	
	80 - 36	145.00 - 200.00	62.00	60.00	26.00	125.00	3.60 (kg)	104	251008	148009*	
80 - 36	190.00 - 245.00	62.00	60.00	26.00	125.00	3.70 (kg)	104	251009	148009*		

NOTE: Only use inserts with chip grooves all around

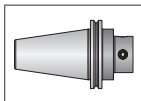
NOTE: Insert holders and inserts sold separately

*For aluminum serrated tool bodies, use item number 348007 and 348009

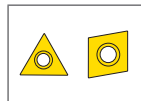
B10-N: 10-13



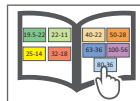
B10-H



B10-F



B10: xii-xiii



i = Imperial (in)

m = Metric (mm)

Inserts sold separately

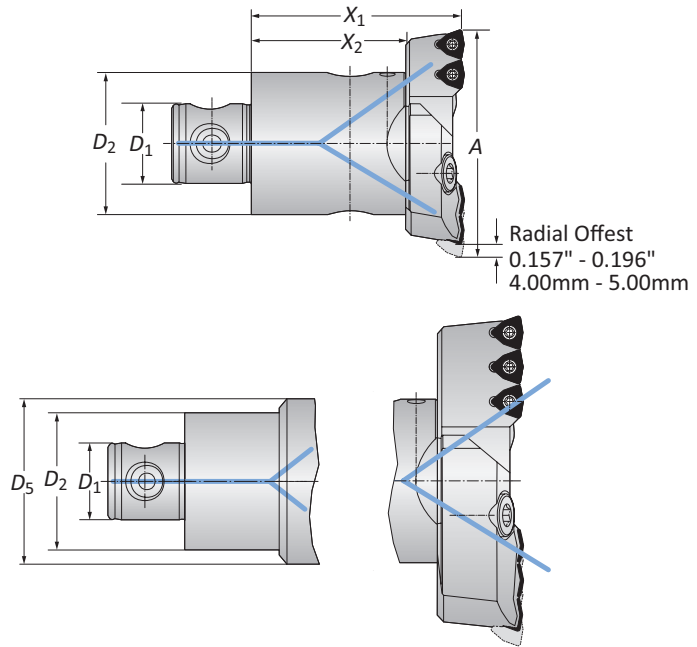
IMPORTANT: Max spindle speed refers to maximum possible speed for an individual boring head and is not a recommended parameter. Refer to page B10-N: 10 for recommended application-specific parameters. Factory technical assistance is available for your specific applications through our Application Engineering department.

ext: 7611 | email: appeng@alliedmachine.com

A
B
C
D
E
F
G
H
I
J
K
L
M
N
INDEX

VolCut Insert Holders

Diameter Range: 2.559" - 3.267" (65.00mm - 3255.00mm)



Serrated Bodies with VolCut Insert Holders

Connection	Boring Range		Serrated Body			Weight	Number of Inserts	Insert Form	Part No.		
	D ₂ D ₁	A	A _{min} **	X ₁	X ₂				D ₅	VolCut Insert Holder	Serrated Body
i	50 - 28	2.559 - 3.267	2.559 - 2.756	2.913	2.165	-	2.425 (lbs)	2	464	151019	148005
	63 - 36	3.228 - 4.055	3.228 - 3.425	3.503	2.362	-	4.850 (lbs)	3	464	151039	148006
	80 - 36	3.937 - 5.118	3.937 - 4.134	3.503	2.362	-	6.613 (lbs)	3	464	151059	148007
	80 - 36	4.921 - 6.102	4.921 - 5.118	3.503	2.362	-	7.054 (lbs)	3	464	151069	148007
	80 - 36	5.905 - 8.070	5.905 - 6.102	3.503	2.362	4.921	11.243 (lbs)	3	464	151069	148009
⚠ D60	7.874 - 128.150	-	-	-	-	-	3	464	149030	*	
m	50 - 28	65.00 - 83.00	65.00 - 70.00	74.00	55.00	-	1.10 (kg)	2	464	151019	148005
	63 - 36	82.00 - 103.00	82.00 - 87.00	89.00	60.00	-	2.20 (kg)	3	464	151039	148006
	80 - 36	100.00 - 130.00	100.00 - 105.00	89.00	60.00	-	3.00 (kg)	3	464	151059	148007
	80 - 36	125.00 - 155.00	125.00 - 130.00	89.00	60.00	-	3.20 (kg)	3	464	151069	148007
	80 - 36	150.00 - 205.00	150.00 - 155.00	89.00	60.00	125.00	5.10 (kg)	3	464	151069	148009
⚠ D60	200.00 - 3255.00	-	-	-	-	-	3	464	149030	*	

NOTE: Inserts, insert holders, and serrated body are sold separately.

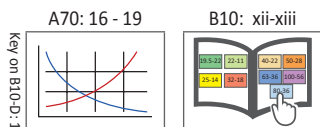
*For large diameter serrated slides, please contact Application Eng. (330.343.4283 ext: 7611) and see section B10-E in the Wohlhaupter Master Product Catalog.

**For smaller diameters, both cartridges must be set to the same diameter. Only the outside insert on each cartridge can be engaged in the material.

IC Inserts

Carbide Grade	Geometry	Part No.	WSP-Screw
P35 (C5)	Standard	AM300® OP-05T308-P	IS-10-1
K35 (C1)	Standard	OP-05T308-1P	IS-10-1
K20 (C2)	Standard	OP-05T308-2P	IS-10-1
P35 (C5)	High Rake	OP-05T308-PHR	IS-10-1

NOTE: See section A70 in the AMPC for recommended cutting data, cutting materials, and geometries.

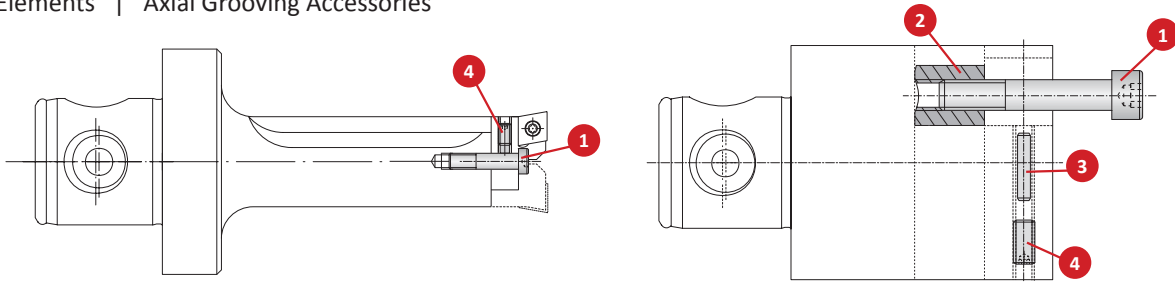


i = Imperial (in)
m = Metric (mm)

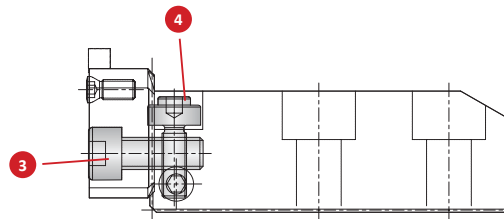
WARNING For large diameter boring with VolCut insert holders please:
 - Contact our Application Engineering department before purchasing (330.343.4283 ext: 7611 | email: appeng@alliedmachine.com)
 - Refer to section B10-E in the Wohlhaupter Master Product Catalog

Accessories

Clamping Elements | Axial Grooving Accessories

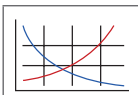
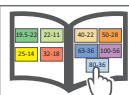


Connection	Serrated Tool Body	Part No.					
		1. Cap Screw	Service Key	2. Clamping Nut	3. Adjustment Pin	4. Thread Pin	Service Key
25 - 14	148001	140108	s4 / B	140114	-	115280	s2.5 / A
25 - 14	148002	148110	s5 / B	115667	-	126157	s2.5 / A
25 - 14	148011	148110	s5 / B	148113	-	117148	s2.5 / A
25 - 14	148012	148110	s5 / B	115666	-	117148	s2.5 / A
32 - 18	148003	140110	s5 / B	115667	-	126157	s2.5 / A
32 - 18	148013	148110	s5 / B	148114	-	115192	s2.5 / A
32 - 18	148017	148110	s5 / B	115667	-	126157	s2.5 / A
40 - 22	148004	140110	s5 / B	140116	-	115407	s2.5 / A
40 - 22	148014	148110	s5 / B	148114	-	126157	s2.5 / A
40 - 22	148018	140110	s5 / B	115667	-	126157	s2.5 / A
50 - 28	148005	140111	s6 / B	140117	-	140121	s2.5 / A
50 - 28	148010	140111	s6 / B	140117	-	140121	s2.5 / A
50 - 28	148015	140112	s6 / B	140117	-	215111	s2.5 / A
50 - 28	235001	415111	T25 / B	-	-	215346	s1.5 / A
50 - 28	235002	415112	T25 / B	-	-	215346	s1.5 / A
50 - 28	235003	415113	T25 / B	-	-	215346	s1.5 / A
50 - 28	148021	140108	s4 / B	140114	-	115280	s2.5 / A
50 - 28	148022	140110	s5 / B	115667	-	126157	s2.5 / A
50 - 28	148023	140110	s5 / B	115667	-	126157	s2.5 / A
50 - 28	148024	140110	s5 / B	140116	-	115407	s2.5 / A
63 - 36	148006	140112	s6 / B	140118	-	140121	s2.5 / A
63 - 36	148016	140112	s6 / B	140117	-	116550	s2.5 / A
63 - 36	235011	415111	T25 / B	-	-	215346	s1.5 / A
63 - 36	235012	415112	T25 / B	-	-	215346	s1.5 / A
63 - 36	235013	415113	T25 / B	-	-	215346	s1.5 / A
80 - 36	148007	115730	s6 / B	140119	-	116550	s2.5 / A
80 - 36	148009	115730	s6 / B	140119	140120	115519	s2.5 / A
∅ 18	235021	415111	T25 / B	-	-	215346	s1.5 / A
∅ 20	235022	415112	T25 / B	-	-	215346	s1.5 / A
∅ 23	235023	415113	T25 / B	-	-	215346	s1.5 / A



Axial Grooving Accessories

Support Base	Cap Screw	Part No.		
		3. Service Key	4. Axial Adjustment Screw	Service Key
226011	023182	s6 / B	215374	s4 / B
226012	023182	s6 / B	215374	s4 / B
226013	023182	s6 / B	215374	s4 / B

B10-N: 10-13  

B10: xii-xiii

 = Imperial (in)
 = Metric (mm)

A
B
C
D
E
F
G
H
I
J
K
L
M
N
INDEX

SECTION

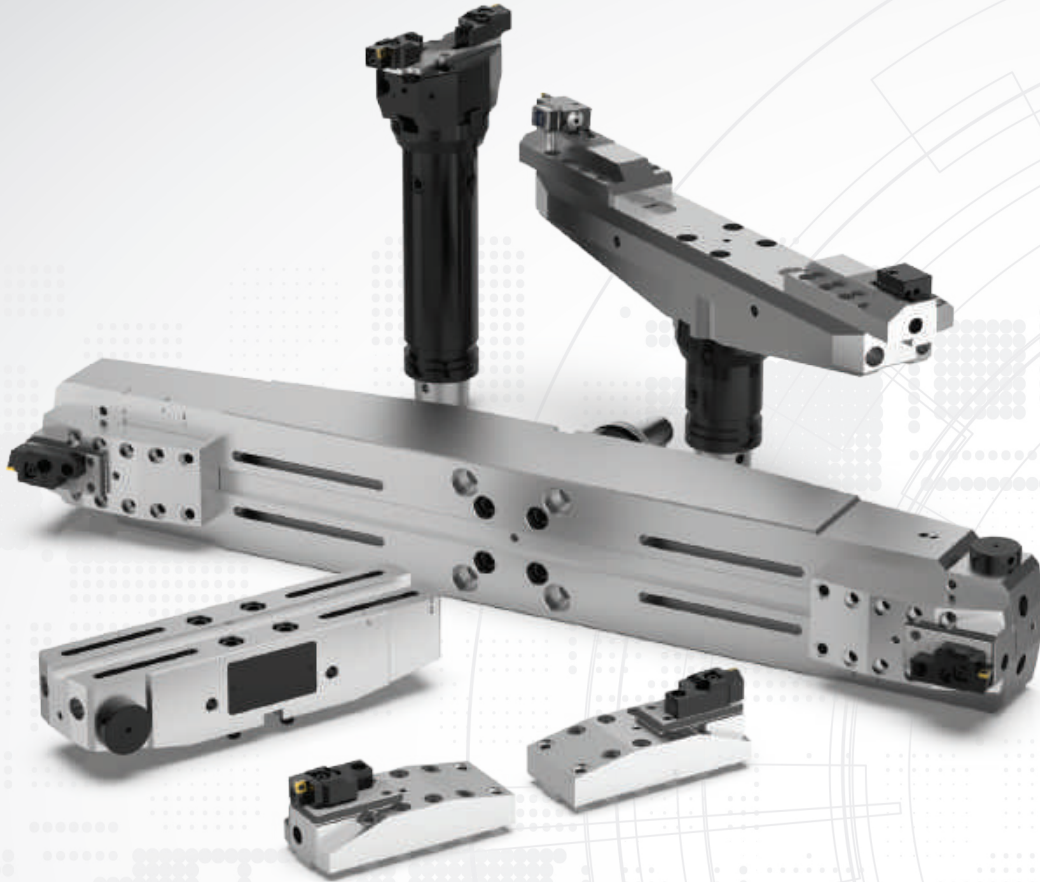
B10-E

Large Diameter Boring Tools

Wohlhaupter® Large Diameter Boring Tools

Basic D 40 | Basic D 60 | Eco D 60 | Flex D 60

▶ Diameter Range: 7.874" - 128.150" (200.00mm - 3255.00mm)



Boring Big?

Wohlhaupter has continued to expand our large diameter boring capabilities with Alu-Line. Our Alu-Line serrated slides and tool bodies are made of lightweight aluminum alloy to minimize the weight while still getting the heavy boring job done. The versatile serrated slides and serrated tool bodies allow for boring 7.874" (200.00mm) up to 128.150" (3255.00mm), offering the most powerful and versatile tool ranges to our customers.

Your safety and the safety of others is very important. This catalog contains important safety messages. Always read and follow all safety precautions.



This triangle is a safety hazard symbol. It alerts you to potential safety hazards that can cause tool failure and serious injury.

When you see this symbol in the catalog, look for a related safety message that may be near this triangle or referred to in the nearby text.

There are safety signal words also used in the catalog. Safety messages follow these words.

WARNING

WARNING (shown above) means that failure to follow the precautions in this message could result in tool failure and serious injury.

NOTICE means that failure to follow the precautions in this message could result in damage to the tool or machine but not result in personal injury.

NOTE and **IMPORTANT** are also used. These are important that you read and follow but are not safety-related.

Visit www.alliedmachine.com for the most up-to-date information and procedures.

Applicable Industries



Aerospace



Agriculture



Automotive



Firearms



General
Machining



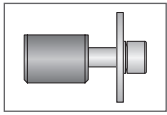
Oil & Gas



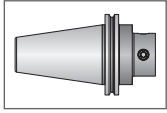
Renewable
Energy

Reference Icons

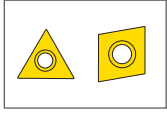
The following icons will appear throughout the catalog to help you navigate between products.



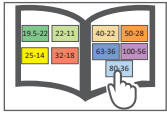
Clamping Elements
For use with insert holders and boring heads



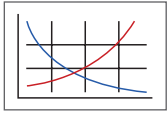
Shanks
A variety of shanks for different machines



Inserts
For use with insert holder boring heads and boring bars using indexable inserts



MVS Connection Color Guide
Detailed instructions and information regarding the MVS connection(s)



Recommended Cutting Data
Speed and feed recommendations for optimum and safe boring

Large Diameter Boring Tools Table of Contents

Introduction

Product Overview 2 - 3

Serrated Slides

Alu-Line Basic D 40 Serrated Slides 4
Alu-Line Basic D 60 Serrated Slides 5
Alu-Line Eco D 60 Serrated Slides 6
Alu-Line Flex D 60 Serrated Slides 7

338 (337) 538 (537) Boring Cassettes

538 (537) Analog Cassettes 8
538 (537) 3E^{TECH} Digital Cassettes 9

Insert Holders

Insert Holders for Rough Machining 10 - 11
Insert Holders for Height Adjustments 12
Insert Holders for Axial Grooving 13

Adapters and Shanks

Adapters with Serrated Body 14
Holding Arbors 15
Master Shanks 16 - 19
Accessories 20 - 25

Series	Diameter Range	
	Imperial (inch)	Metric (mm)
Basic D 40 Slides	7.874 - 20.470	200.00 - 520.00
Basic D 60 Slides	7.874 - 19.880	200.00 - 505.00
Eco D 60 Slides	18.300 - 40.150	465.00 - 1020.00
Flex D 60 Slides	19.680 - 128.150	500.00 - 3255.00

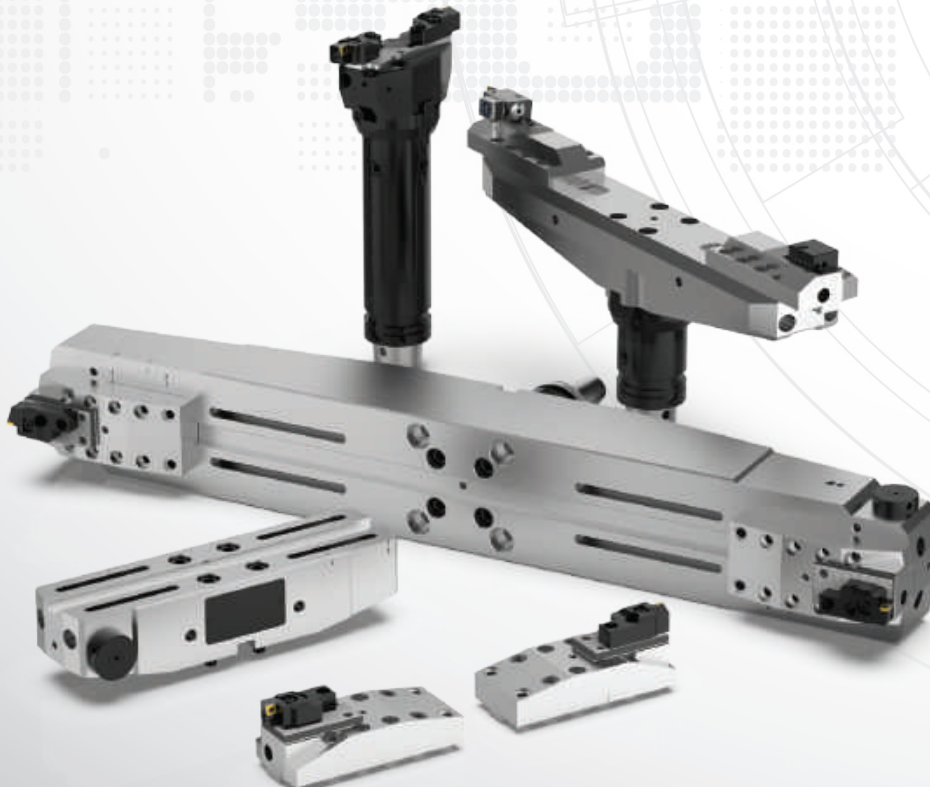
Large Diameter Boring Tools

Large Diameter BORING

Boring big? We've got you covered.

Our versatile tooling system can provide the power and precision your large diameter boring jobs demand. The large diameter boring system offers four different Alu-Line serrated slides, a wide range of rough and finish boring insert holders, vernier and digital cassettes, and combined rough and finish insert holders.

- Diameter range: 7.874" - 128.150" (200.00mm - 3255.00mm)
- Basic, Eco, and Flex serrated slides
- Roughing, finishing, or combined roughing and finishing can be achieved in one pass
- Digital readout cassettes available for quick and easy adjustments
- Alu-Line serrated slides and tool bodies are made of lightweight aluminum



► **Basic D 40 Serrated Slides for Finish Boring**



350021 (349021)
 Ø 7.874" - 11.023"
 (Ø 200.00mm - 280.00mm)



350023 (349023)
 Ø 14.173" - 17.322"
 (Ø 360.00mm - 440.00mm)



350022 (349022)
 Ø 11.023" - 14.173"
 (Ø 280.00mm - 360.00mm)



350024 (349024)
 Ø 17.322" - 20.472"
 (Ø 440.00mm - 520.00mm)

► **Basic D 60 Serrated Slides for Semi Rough Finish and Finish Boring**



350051 (349051)
 Ø 7.874" - 11.023"
 (Ø 200.00mm - 280.00mm)



350053 (349053)
 Ø 13.779" - 16.929"
 (Ø 350.00mm - 430.00mm)



350052 (349052)
 Ø 10.826" - 13.976"
 (Ø 275.00mm - 355.00mm)



350054 (349054)
 Ø 16.732" - 19.881"
 (Ø 425.00mm - 505.00mm)

► **Eco D 60 Serrated Slides for Rough and Finish Boring**



350005 (349005)
 Ø 18.307" - 29.330"
 (Ø 465.00mm - 745.00mm)



350014 (349014) / 350015 (350015)
 Serrated slide for base slides
 350005 (349005) / 350006 (349006)



350006 (349006)
 Ø 29.133" - 40.157"
 (Ø 740.00mm - 1020.00mm)

► **Flex D 60 Serrated Slides for Rough and Finish Boring**



350031 (349031)
 Ø 19.685" - 41.535"
 (Ø 500.00mm - 1055.00mm)



350035 (349035)
 Serrated slide for base slides
 350031 (349031) | 350032 (349032)
 350033 (349033) | 350034 (349034)



350032 (349032)
 Ø 29.724" - 63.188"
 (Ø 755.00mm - 1605.00mm)



350036 (349036)
 Serrated slide for base slides
 350031 (349031) | 350032 (349032)
 350033 (349033) | 350034 (349034)



350033 (349033)
 Ø 52.165" - 95.669"
 (Ø 1325.00mm - 2430.00mm)



350037 (349037)
 Serrated slide for base slides
 350032 (349032) | 350033 (349033)
 350034 (349034)



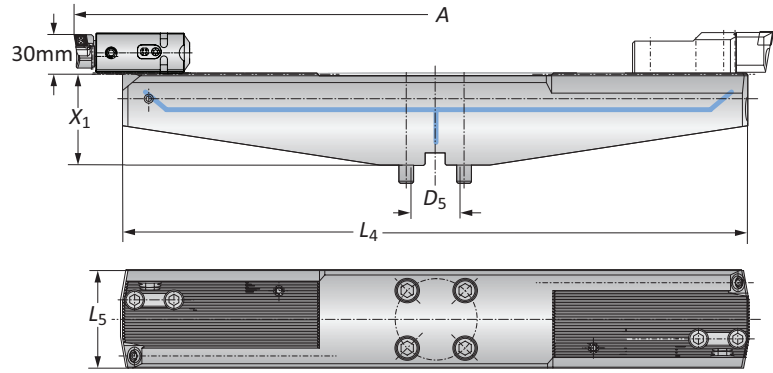
350034 (349034)
 Ø 84.645" - 128.149"
 (Ø 2150.00mm - 3255.00mm)



350038 (349038)
 Serrated slide for base slides
 350033 (349033) | 350034 (349034)

Alu-Line Basic D 40 Serrated Slides

Diameter Range: 7.874" - 20.470" (200.00mm - 520.00mm)



	Connection	Boring Range	Serrated Slide			Weight	Part No.
	D_5	A	X_1	L_4	L_5		
i	D 40	7.874 - 11.020	2.952	7.480	3.149	6.172 (lbs)	350021
	D 40	11.020 - 14.170	2.952	10.620	3.149	8.377 (lbs)	350022
	D 40	14.170 - 17.320	2.952	13.770	3.149	10.800 (lbs)	350023
	D 40	17.320 - 20.470	2.952	16.320	3.149	13.000 (lbs)	350024
m	D 40	200.00 - 280.00	75.00	190.00	80.00	2.19 (kg)	349021
	D 40	280.00 - 360.00	75.00	270.00	80.00	3.80 (kg)	349022
	D 40	360.00 - 440.00	75.00	350.00	80.00	4.90 (kg)	349023
	D 40	440.00 - 520.00	75.00	430.00	80.00	5.90 (kg)	349024

Key on B10-E-1.1

B10-N: 10-13

B10-E: 22

B10-E: 16-19

B10-F

B10: xii-xiii

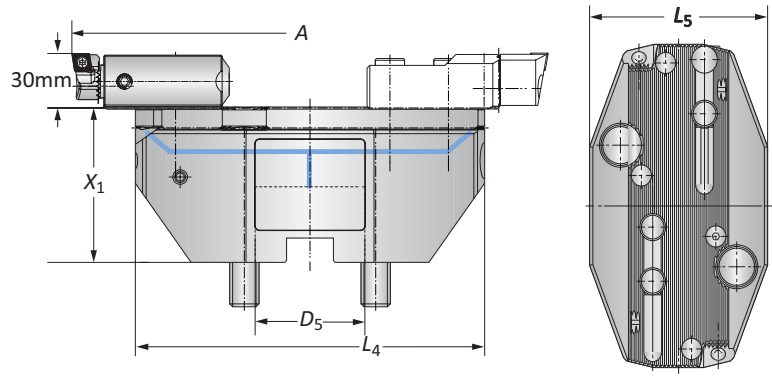
i = Imperial (in)
m = Metric (mm)
Inserts sold separately

WARNING Exceeding weight capacity for machine tool spindle and tool changer can cause machine damage, and/or serious injury. To prevent:
-Consult machine tool builder for machine's weight limitations.
Factory technical assistance is also available for specific applications through our Application Engineering department. ext: 7611 | email: appeng@alliedmachine.com

WARNING Tool failure can cause serious injury. To prevent:
-Do not exceed recommended 10xD length to diameter ratio or exceed 4 total components (including shank)
-Refer to example on page B10-N: 8 for calculating length to diameter ratio
Factory technical assistance is available for your specific applications through our Application Engineering department. ext: 7611 | email: appeng@alliedmachine.com

Alu-Line Basic D 60 Serrated Slides

Diameter Range: 7.874" - 19.880" (200.00mm - 505.00mm)



	Connection	Boring Range	Serrated Slide			Weight	Part No.
	D ₅	A	X ₁	L ₄	L ₅		
i	D 60	7.874 - 11.020	3.346	7.519	4.330	9.038 (lbs)	350051
	D 60	10.820 - 13.970	3.346	10.390	4.330	11.464 (lbs)	350052
	D 60	13.770 - 16.920	3.346	13.340	4.921	15.211 (lbs)	350053
	D 60	16.730 - 19.880	3.346	16.290	4.921	17.637 (lbs)	350054
m	D 60	200.00 - 280.00	85.00	191.00	110.00	4.10 (kg)	349051
	D 60	275.00 - 355.00	85.00	264.00	110.00	5.20 (kg)	349052
	D 60	350.00 - 430.00	85.00	339.00	125.00	6.90 (kg)	349053
	D 60	425.00 - 505.00	85.00	414.00	125.00	8.00 (kg)	349054

Key on B10-E-1

B10-N: 10-13

B10-E: 22

B10-E: 16-19

B10-F

B10: xii-xiii

i = Imperial (in)
m = Metric (mm)
 Inserts sold separately

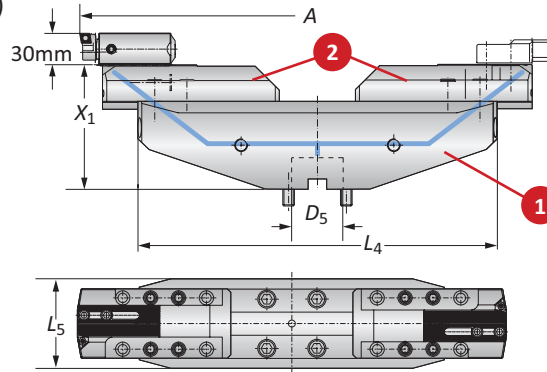
⚠ WARNING Exceeding weight capacity for machine tool spindle and tool changer can cause machine damage, and/or serious injury. To prevent:
 -Consult machine tool builder for machine's weight limitations.
 Factory technical assistance is also available for specific applications through our Application Engineering department. ext: 7611 | email: appeng@alliedmachine.com

⚠ WARNING Tool failure can cause serious injury. To prevent:
 -Do not exceed recommended 10xD length to diameter ratio or exceed 4 total components (including shank)
 -Refer to example on page B10-N: 8 for calculating length to diameter ratio
 Factory technical assistance is available for your specific applications through our Application Engineering department. ext: 7611 | email: appeng@alliedmachine.com

A
B
C
D
E
F
G
H
I
J
K
L
M
N
INDEX

Alu-Line Eco D 60 Serrated Slides

Diameter Range: 18.300" - 40.150" (465.00mm - 1020.00mm)



	Connection	Boring Range	Serrated Slide			1 Base Slide		2 Serrated Slide (Alu-Line)*		2 Serrated Slide (steel)**	
			D_5	A	X_1	L_4	L_5	Weight	Part No.	Weight	Part No.
i	D 60	18.300 - 29.330	6.102	17.590	5.078	26.010 (lbs)	350005	4.850 (lbs)	350015	12.560 (lbs)	350014
	D 60	29.130 - 40.150	6.102	28.420	5.078	39.680 (lbs)	350006	4.850 (lbs)	350015	12.560 (lbs)	350014
m	D 60	465.00 - 745.00	155.00	447.00	129.00	11.80 (kg)	349005	2.20 (kg)	349015	5.70 (kg)	349014
	D 60	740.00 - 1020.00	155.00	722.00	129.00	18.00 (kg)	349006	2.20 (kg)	349015	5.70 (kg)	349014

*Finish boring: serrated slide in Alu-Line

**Rough boring: serrated slide in steel

Key on B10-E-1.1

B10-N: 10-13

B10-E: 22

B10-E: 16-19

B10-F

B10: xii-xiii

i = Imperial (in)
m = Metric (mm)

Inserts sold separately

WARNING Exceeding weight capacity for machine tool spindle and tool changer can cause machine damage, and/or serious injury. To prevent:

-Consult machine tool builder for machine's weight limitations.

Factory technical assistance is also available for specific applications through our Application Engineering department. ext: 7611 | email: appeng@alliedmachine.com

WARNING Tool failure can cause serious injury. To prevent:

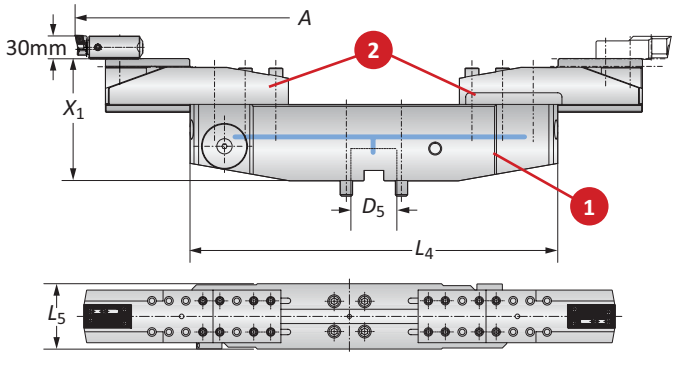
-Do not exceed recommended 10xD length to diameter ratio or exceed 4 total components (including shank)

-Refer to example on page B10-N: 8 for calculating length to diameter ratio

Factory technical assistance is available for your specific applications through our Application Engineering department. ext: 7611 | email: appeng@alliedmachine.com

Alu-Line Flex D 60 Serrated Slides

Diameter Range: 19.680" - 128.150" (500.00mm - 3255.00mm)



	Connection	Boring Range	Serrated Slide			Weight (1 + 2)	Part No.	
			D ₅	A	X ₁		L ₄	L ₅
i	D 60	19.680 - 30.700	6.299	18.890	5.118	53.360 (lbs)	350031	350035
	D 60	37.400 - 41.530	7.283	18.890	5.118	91.060 (lbs)	350031	350036
	D 60	29.720 - 41.530	7.283	29.720	6.102	93.710 (lbs)	350032	350035
	D 60	41.330 - 52.360	8.267	29.720	6.102	131.400 (lbs)	350032	350036
	D 60	56.770 - 63.180	8.858	29.720	6.102	190.200 (lbs)	350032	350037
	D 60	52.160 - 63.180	8.267	51.370	7.283	194.400 (lbs)	350033	350035
	D 60	52.160 - 74.010	9.251	51.370	7.283	232.100 (lbs)	350033	350036
	D 60	62.990 - 84.840	9.842	51.370	7.283	291.000 (lbs)	350033	350037
	D 60	78.340 - 95.660	10.030	51.370	7.283	374.400 (lbs)	350033	350038
	D 60	84.640 - 95.660	9.251	83.850	8.858	424.400 (lbs)	350034	350035
	D 60	84.640 - 106.500	10.230	83.850	8.858	462.100 (lbs)	350034	350036
	D 60	84.640 - 117.300	10.820	83.850	8.858	520.300 (lbs)	350034	350037
	D 60	84.640 - 128.150	11.020	83.850	8.858	604.100 (lbs)	350034	350038
m	D 60	500.00 - 780.00	160.00	480.00	130.00	24.20 (kg)	349031	349035
	D 60	950.00 - 1055.00	185.00	480.00	130.00	41.30 (kg)	349031	349036
	D 60	755.00 - 1055.00	185.00	755.00	155.00	42.50 (kg)	349032	349035
	D 60	1050.00 - 1330.00	210.00	755.00	155.00	59.60 (kg)	349032	349036
	D 60	1442.00 - 1605.00	225.00	755.00	155.00	86.30 (kg)	349032	349037
	D 60	1325.00 - 1605.00	210.00	1305.00	185.00	88.20 (kg)	349033	349035
	D 60	1325.00 - 1880.00	235.00	1305.00	185.00	105.30 (kg)	349033	349036
	D 60	1600.00 - 2155.00	250.00	1305.00	185.00	132.00 (kg)	349033	349037
	D 60	1990.00 - 2430.00	255.00	1305.00	185.00	169.80 (kg)	349033	349038
	D 60	2150.00 - 2430.00	235.00	2130.00	225.00	192.50 (kg)	349034	349035
	D 60	2150.00 - 2705.00	260.00	2130.00	225.00	209.60 (kg)	349034	349036
	D 60	2150.00 - 2980.00	275.00	2130.00	225.00	236.00 (kg)	349034	349037
	D 60	2150.00 - 3255.00	280.00	2130.00	225.00	274.00 (kg)	349034	349038

Key on B10-E-1

B10-N: 10-13

B10-E: 22

B10-E: 16-19

B10-F

B10: xii-xiii

i = Imperial (in)
m = Metric (mm)
Inserts sold separately

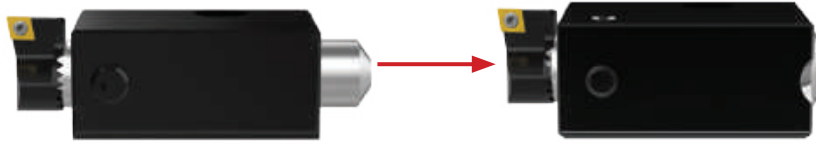
WARNING Exceeding weight capacity for machine tool spindle and tool changer can cause machine damage, and/or serious injury. To prevent:
-Consult machine tool builder for machine's weight limitations.
Factory technical assistance is also available for specific applications through our Application Engineering department. ext: 7611 | email: appeng@alliedmachine.com

WARNING Tool failure can cause serious injury. To prevent:
-Do not exceed recommended 10xD length to diameter ratio or exceed 4 total components (including shank)
-Refer to example on page B10-N: 8 for calculating length to diameter ratio
Factory technical assistance is available for your specific applications through our Application Engineering department. ext: 7611 | email: appeng@alliedmachine.com

A
B
C
D
E
F
G
H
I
J
K
L
M
N
INDEX

538 (537) Analog Cassettes

Diameter Range: 3.937" - 128.100" (100.00mm - 3255.00mm)



OLD CASSETTE

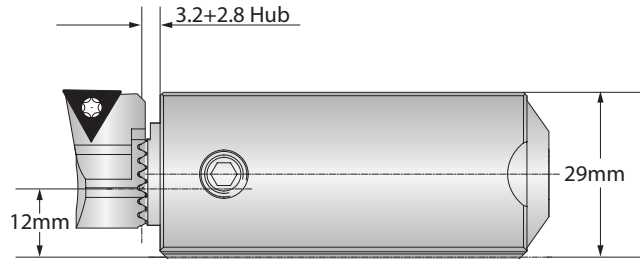
NEW CASSETTE

NEW ANALOG CASSETTE PART NUMBERS

	Old Part No.	NEW Part No.
i	338037	538051
m	337017	537051



Form 101



Form 20

	Slide Type	Boring Range	Weight	Insert Form	Insert Holder	Part No.	
						Clamping Piece	Cassette
i	Serrated Tool Bodies	3.937 - 8.071	1.323 (lbs)	20	210020	137026	538051
		3.937 - 8.071	1.323 (lbs)	101	210063	137026	538051
		3.937 - 8.071	1.323 (lbs)	103	210064	137026	538051
	Basic / Eco Slides	7.874 - 40.150	1.323 (lbs)	20	210020	137027	538051
		7.874 - 40.150	1.323 (lbs)	101	210063	137027	538051
		7.874 - 40.150	1.323 (lbs)	103	210064	137027	538051
Flex Slides	19.680 - 128.100	1.323 (lbs)	20	210020	137019	538051	
	19.680 - 128.100	1.323 (lbs)	101	210063	137019	538051	
	19.680 - 128.100	1.323 (lbs)	103	210064	137019	538051	
m	Serrated Tool Bodies	100.00 - 205.00	0.60 (kg)	20	210020	137026	537051
		100.00 - 205.00	0.60 (kg)	101	210063	137026	537051
		100.00 - 205.00	0.60 (kg)	103	210064	137026	537051
	Basic / Eco Slides	200.00 - 1020.00	0.60 (kg)	20	210020	137027	537051
		200.00 - 1020.00	0.60 (kg)	101	210063	137027	537051
		200.00 - 1020.00	0.60 (kg)	103	210064	137027	537051
	Flex Slides	500.00 - 3255.00	0.60 (kg)	20	210020	137019	537051
		500.00 - 3255.00	0.60 (kg)	101	210063	137019	537051
		500.00 - 3255.00	0.60 (kg)	103	210064	137019	537051

Key on B10-E-1.1

B10-N: 10-13

B10-E: 22

B10-E: 16-19

B10-F

B10: xii-xiii

i = Imperial (in)
m = Metric (mm)

Inserts sold separately

⚠ WARNING Exceeding weight capacity for machine tool spindle and tool changer can cause machine damage, and/or serious injury. To prevent: Consult machine tool builder for machine's weight limitations. Factory technical assistance is also available for specific applications through our Application Engineering department. ext: 7611 | email: appeng@alliedmachine.com

⚠ WARNING Tool failure can cause serious injury. To prevent: -Do not exceed recommended 10xD length to diameter ratio or exceed 4 total components (including shank) -Refer to example on page B10-N: 8 for calculating length to diameter ratio Factory technical assistance is available for your specific applications through our Application Engineering department. ext: 7611 | email: appeng@alliedmachine.com

538 (537) Cassettes with 3E^{TECH}

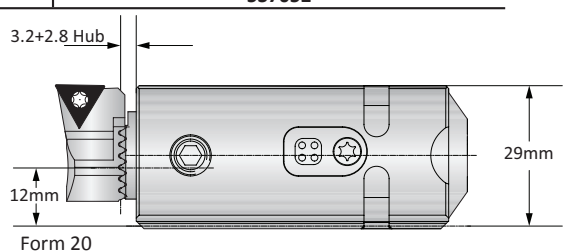
Diameter Range: 3.937" - 128.100" (100.00mm - 3255.00mm)



NEW DIGITAL CASSETTE PART NUMBERS	
Old Part No.	NEW Part No. with 3E ^{TECH} Port
i 538001	538052
m 537001	537052



Form 101



Form 20

	Slide Type	Boring Range	Weight	Insert Form	Insert Holder	Part No.	
						Clamping Pieces	Cassette
i	Serrated Tool Bodies	3.937 - 8.071	1.323 (lbs)	20	210020	137026	538052
		3.937 - 8.071	1.323 (lbs)	101	210063	137026	538052
		3.937 - 8.071	1.323 (lbs)	103	210064	137026	538052
	Basic / Eco Slides	7.874 - 40.150	1.323 (lbs)	20	210020	137027	538052
		7.874 - 40.150	1.323 (lbs)	101	210063	137027	538052
		7.874 - 40.150	1.323 (lbs)	103	210064	137027	538052
	Flex Slides	19.680 - 128.100	1.323 (lbs)	20	210020	137019	538052
		19.680 - 128.100	1.323 (lbs)	101	210063	137019	538052
		19.680 - 128.100	1.323 (lbs)	103	210064	137019	538052
m	Serrated Tool Bodies	100.00 - 205.00	0.60 (kg)	20	210020	137026	537052
		100.00 - 205.00	0.60 (kg)	101	210063	137026	537052
		100.00 - 205.00	0.60 (kg)	103	210064	137026	537052
	Basic / Eco Slides	200.00 - 1020.00	0.60 (kg)	20	210020	137027	537052
		200.00 - 1020.00	0.60 (kg)	101	210063	137027	537052
		200.00 - 1020.00	0.60 (kg)	103	210064	137027	537052
	Flex Slides	500.00 - 3255.00	0.60 (kg)	20	210020	137019	537052
		500.00 - 3255.00	0.60 (kg)	101	210063	137019	537052
		500.00 - 3255.00	0.60 (kg)	103	210064	137019	537052



3E ^{TECH} Digital Readout Module	
	Part No.*
i	563010
m	536010

*WEEE-Reg.-Nr. DE 15820388
NOTE: 3E^{TECH} must be ordered separately.

Key on B10-E-1

B10-N: 10-13

B10-E: 22

B10-E: 16-19

B10-F

B10: xii-xiii

NOTE: Imperial item pictured
NOTE: Adjustment accuracy of 0.0001" or 0.002mm on diameter

i = Imperial (in)
m = Metric (mm)
Inserts sold separately

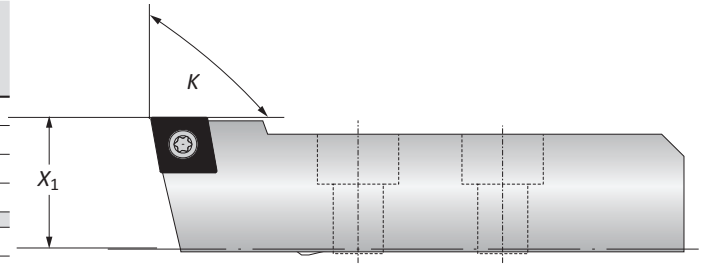
WARNING Exceeding weight capacity for machine tool spindle and tool changer can cause machine damage, and/or serious injury. To prevent:
-Consult machine tool builder for machine's weight limitations.
Factory technical assistance is also available for specific applications through our Application Engineering department. ext: 7611 | email: appeng@alliedmachine.com

WARNING Tool failure can cause serious injury. To prevent:
-Do not exceed recommended 10xD length to diameter ratio or exceed 4 total components (including shank)
-Refer to example on page B10-N: 8 for calculating length to diameter ratio
Factory technical assistance is available for your specific applications through our Application Engineering department. ext: 7611 | email: appeng@alliedmachine.com

Insert Holders for Rough Machining

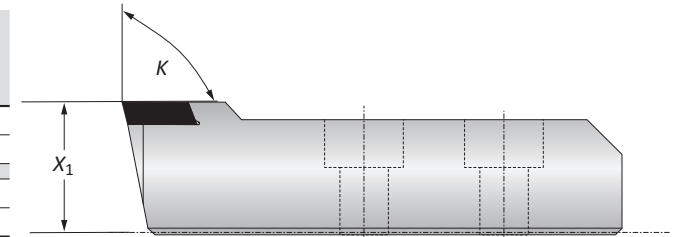
90° Insert Holders

Insert Holder		Weight	ISO Code	Insert Form	Part No.	
K	X ₁					
i	90°	1.180	1.322 (lbs)	CC..09T3..	103	149090
	90°	1.180	1.322 (lbs)	CC..1204..	104	149099
	90°	1.150	1.322 (lbs)	CC..1204..	104	149083
	90°	1.180	1.322 (lbs)	CC..1605..	105	149093
m	90°	30.00	0.60 (kg)	CC..09T3..	103	149090
	90°	30.00	0.60 (kg)	CC..1204..	104	149099
	90°	29.30	0.60 (kg)	CC..1204..	104	149083
	90°	30.00	0.60 (kg)	CC..1605..	105	149093



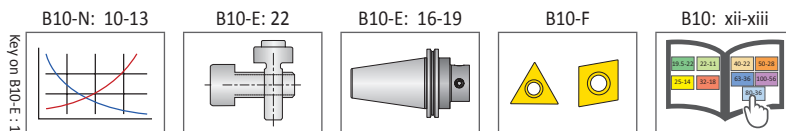
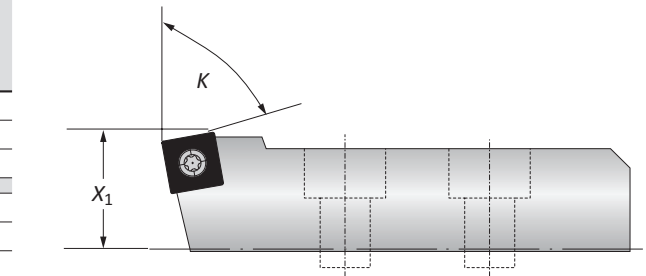
90° Tangential Insert Holders

Insert Holder		Weight	ISO Code	Insert Form	Part No.
K	X ₁				
i	90°	1.180	Tangential	05	149010
	90°	1.150	Tangential	05	149020
m	90°	30.00	Tangential	05	149010
	90°	29.30	Tangential	05	149020



80° Insert Holders

Insert Holder		Weight	ISO Code	Insert Form	Part No.
K	X ₁				
i	80°	1.180	SC..1204..	113	149089
	80°	1.180	SC..1505..	114	149094
	80°	1.180	SN..1506..	134	149096
m	80°	30.00	SC..1204..	113	149089
	80°	30.00	SC..1505..	114	149094
	80°	30.00	SN..1506..	134	149096



i = Imperial (in)
m = Metric (mm)
Inserts sold separately

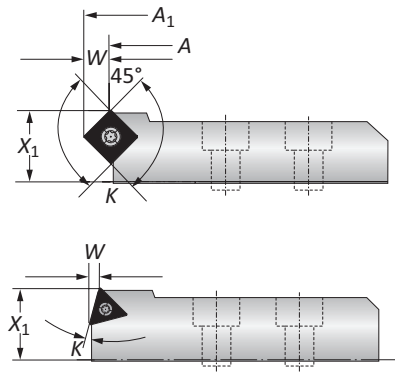
WARNING Exceeding weight capacity for machine tool spindle and tool changer can cause machine damage, and/or serious injury. To prevent:
-Consult machine tool builder for machine's weight limitations.
Factory technical assistance is also available for specific applications through our Application Engineering department. ext: 7611 | email: appeng@alliedmachine.com

WARNING Tool failure can cause serious injury. To prevent:
-Do not exceed recommended 10xD length to diameter ratio or exceed 4 total components (including shank)
-Refer to example on page B10-N: 8 for calculating length to diameter ratio
Factory technical assistance is available for your specific applications through our Application Engineering department. ext: 7611 | email: appeng@alliedmachine.com

Insert Holders for Rough Machining | Boring Range Example

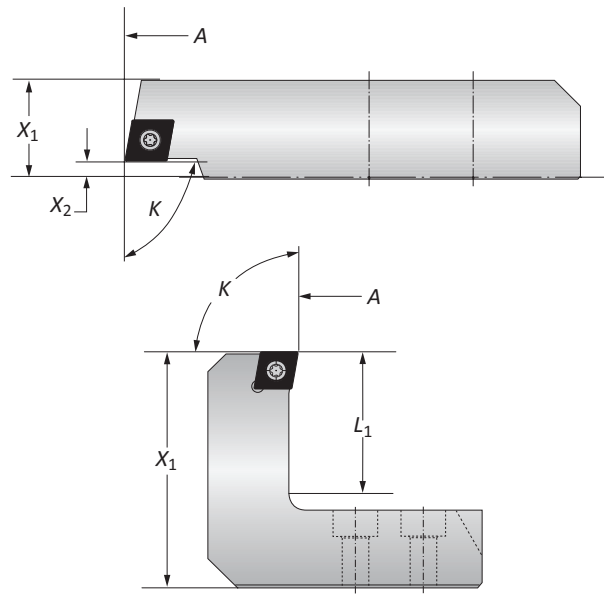
Chamfering Insert Holders

Insert Holder								
	K	X ₁	A / A ₁	W	Weight	ISO Code	Insert Form	Part No.
i	15°	1.180	+0.275	0.157	1.322 (lbs)	TC..16T3..	163	201065
	20°	1.180	+0.354	0.208	1.322 (lbs)	TC..16T3..	163	201025
	30°	1.180	+0.551	0.303	1.322 (lbs)	TC..16T3..	163	201075
	45°	1.180	+0.787	0.389	1.322 (lbs)	SC..1505..	114	201015
m	15°	30.00	+7.00	4.00	0.60 (kg)	TC..16T3..	163	201065
	20°	30.00	+9.00	5.30	0.60 (kg)	TC..16T3..	163	201025
	30°	30.00	+14.00	7.70	0.60 (kg)	TC..16T3..	163	201075
	45°	30.00	+20.00	9.90	0.60 (kg)	SC..1505..	114	201015



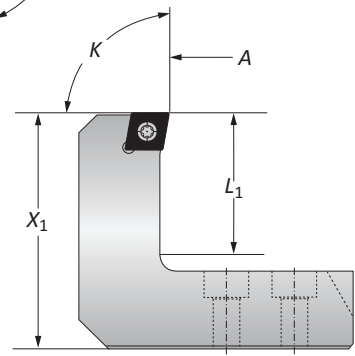
Back-Boring Insert Holders

Insert Holder								
	K	X ₁	X ₂	A	Weight	ISO Code	Insert Form	Part No.
i	90°	3.540	0.196	+1.574	1.763 (lbs)	CC..1204..	104	251010
	90°	3.540	0.196	+2.952	1.984 (lbs)	CC..1204..	104	251011
m	90°	30.00	5.00	+40.00	0.80 (kg)	CC..1204..	104	251010
	90°	30.00	5.00	+75.00	0.90 (kg)	CC..1204..	104	251011



OD Turning Insert Holders

Insert Holder								
	K	X ₁	L ₁	A	Weight	ISO Code	Insert Form	Part No.
i	90°	198.400	2.440	-1.968	2.204 (lbs)	CC..1204..	104	149040
m	90°	90.00	62.00	-50.00	1.00 (kg)	CC..1204..	104	149040



Boring Range Example

Serrated Slide		Insert Holder			
Part No.	Bore Range	Part No.	Modified Bore Range	Total Bore Range	
i	350051	7.874 - 11.023	201065	+0.280	8.150 - 11.300
	350051	7.874 - 11.023	251010	+1.600	9.450 - 12.600
	350051	7.874 - 11.023	149040	-2.000	5.900 - 9.055
m	349051	200.00 - 280.00	201065	+7.00	207.00 - 287.00
	349051	200.00 - 280.00	251010	+40.00	240.00 - 320.00
	349051	200.00 - 280.00	149040	-50.00	150.00 - 230.00

NOTE: Boring range for serrated slides or base slides are found on pg. B10-E: 4 - 7
NOTE: Additional insert holders available upon request

B10-N: 10-13

B10-E: 22

B10-E: 16-19

B10-F

B10: xii-xiii

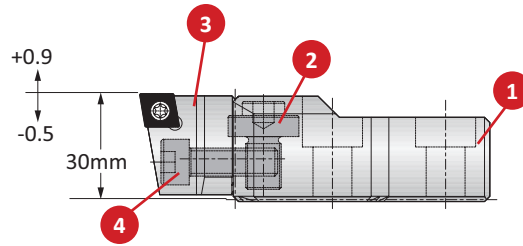
i = Imperial (in)
m = Metric (mm)
Inserts sold separately

WARNING Exceeding weight capacity for machine tool spindle and tool changer can cause machine damage, and/or serious injury. To prevent:
 -Consult machine tool builder for machine's weight limitations.
 Factory technical assistance is also available for specific applications through our Application Engineering department. ext: 7611 | email: appeng@alliedmachine.com

WARNING Tool failure can cause serious injury. To prevent:
 -Do not exceed recommended 10xD length to diameter ratio or exceed 4 total components (including shank)
 -Refer to example on page B10-N: 8 for calculating length to diameter ratio
 Factory technical assistance is available for your specific applications through our Application Engineering department. ext: 7611 | email: appeng@alliedmachine.com

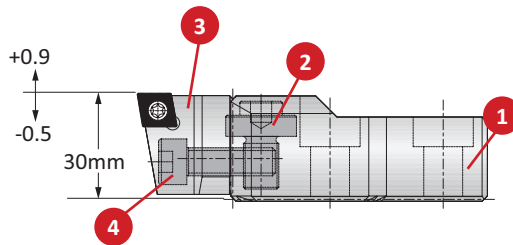
A
B
C
D
E
F
G
H
I
J
K
L
M
N
INDEX

Insert Holders for Height Adjustments



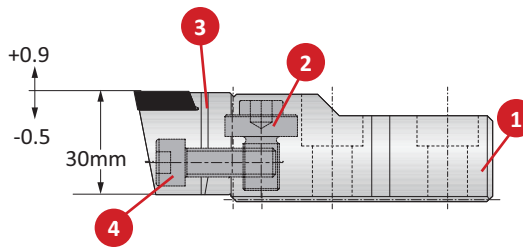
Insert Form 103

	1 Support		2 Adjusting Screw		3 Insert Holder		4 Fixing Screw		Complete Part No.
	Boring Range	Part No.	Part No.	Service Key	Insert Form	Part No.	Part No.	Service Key	
i	7.874 - 128.100	149055	315355	s6 / B	103	149058	070369	s6 / B	149059
m	200.00 - 3255.00	149055	315355	s6 / B	103	149058	070369	s6 / B	149059



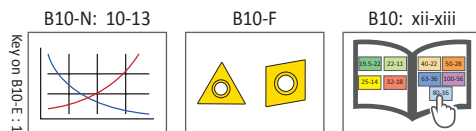
Insert Form 104

	1 Support		2 Adjusting Screw		3 Insert Holder		4 Fixing Screw		Complete Part No.
	Boring Range	Part No.	Part No.	Service Key	Insert Form	Part No.	Part No.	Service Key	
i	7.874 - 128.100	149055	315355	s6 / B	104	149056	070369	s6 / B	149057
m	200.00 - 3255.00	149055	315355	s6 / B	104	149056	070369	s6 / B	149057



Insert Form 05

	1 Support		2 Adjusting Screw		3 Insert Holder		4 Fixing Screw		Complete Part No.
	Boring Range	Part No.	Part No.	Service Key	Insert Form	Part No.	Part No.	Service Key	
i	7.874 - 128.100	149055	315355	s6 / B	05	149085	070369	s6 / B	149086
m	200.00 - 3255.00	149055	315355	s6 / B	05	149085	070369	s6 / B	149086



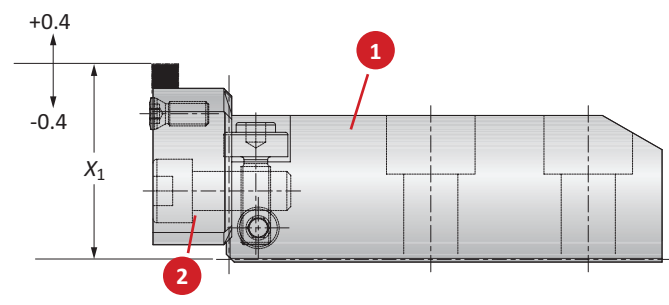
i = Imperial (in)
m = Metric (mm)

Inserts sold separately

⚠ WARNING Exceeding weight capacity for machine tool spindle and tool changer can cause machine damage, and/or serious injury. To prevent:
-Consult machine tool builder for machine's weight limitations.
Factory technical assistance is also available for specific applications through our Application Engineering department. ext: 7611 | email: appeng@alliedmachine.com

⚠ WARNING Tool failure can cause serious injury. To prevent:
-Do not exceed recommended 10xD length to diameter ratio or exceed 4 total components (including shank)
-Refer to example on page B10-N: 8 for calculating length to diameter ratio
Factory technical assistance is also available for your specific applications through our Application Engineering department. ext: 7611 | email: appeng@alliedmachine.com

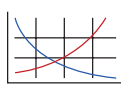
Insert Holders for Axial Grooving



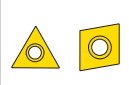
	Insert Holder	1 Support Module	2 Insert Holder			
	X_1	Part No.	Part No.	Weight	Insert Form	Complete Part No.
i	1.574	226014	226010	0.661 (lbs)	304	226029
m	40.00	226014	226010	0.30 (kg)	304	226029

Key on B10-E-1

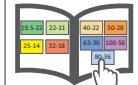
B10-N: 10-13



B10-F



B10: xii-xiii



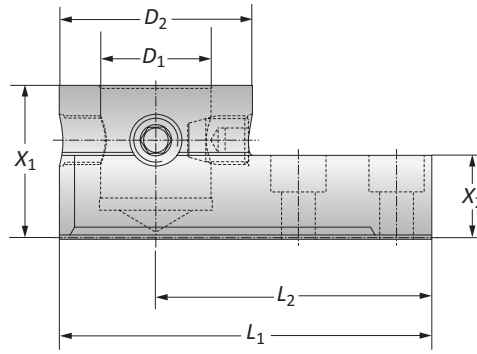
i = Imperial (in)
m = Metric (mm)
 Inserts sold separately

⚠ WARNING Exceeding weight capacity for machine tool spindle and tool changer can cause machine damage, and/or serious injury. To prevent:
 -Consult machine tool builder for machine's weight limitations.
 Factory technical assistance is also available for specific applications through our Application Engineering department. ext: 7611 | email: appeng@alliedmachine.com

⚠ WARNING Tool failure can cause serious injury. To prevent:
 -Do not exceed recommended 10xD length to diameter ratio or exceed 4 total components (including shank)
 -Refer to example on page B10-N: 8 for calculating length to diameter ratio
 Factory technical assistance is available for your specific applications through our Application Engineering department. ext: 7611 | email: appeng@alliedmachine.com

A
B
C
D
E
F
G
H
I
J
K
L
M
N
INDEX

Serrated Adapter with MVS Connection



MVS Connection	Mounting Adapters					Weight	Part No.
D_2 D_1	X_1	X_2	L_1	L_2			
i 50 - 28	1.968	1.062	4.527	3.543	3.306 (lbs)	349046	
m 50 - 28	50.00	27.00	115.00	90.00	1.50 (kg)	349046	

Outside Turning Example



Inside Boring

Application: Longer Reach Inside Boring

Slide	Boring Heads	i ID Bore Range	m ID Bore Range
349/350051	320005/365045/565045	9.840 - 12.990	250.00 - 330.00
349/350052	320005/365045/565045	12.800 - 15.950	325.12 - 405.13
349/350053	320005/365045/565045	15.750 - 18.900	400.05 - 480.06
349/350054	320005/365045/565045	18.700 - 21.850	474.98 - 555.00
349/350005/350015	320005/365045/565045	20.280 - 31.300	515.10 - 795.02

Outside Boring

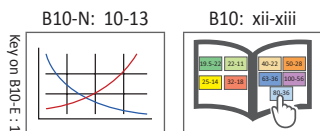
Application: OD Finish Turning Longer Reaches

Slide	Boring Heads	i OD Bore Range	m OD Bore Range
349/350051	320005/365045/565045	4.720 - 6.280	120.00 - 160.00
349/350052	320005/365045/565045	6.240 - 10.830	158.50 - 275.00
349/350053	320005/365045/565045	10.630 - 13.780	270.00 - 350.00
349/350054	320005/365045/565045	13.580 - 16.730	345.00 - 425.00
349/350005/350015	320005/365045/565045	15.160 - 26.180	385.00 - 665.00

NOTE: LH only spindle rotation

NOTE: Imperial item pictured

NOTE: Adjustment accuracy of 0.0001" or 0.002mm on diameter



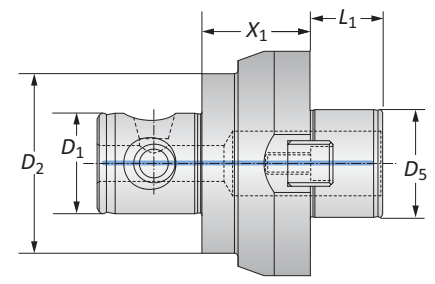
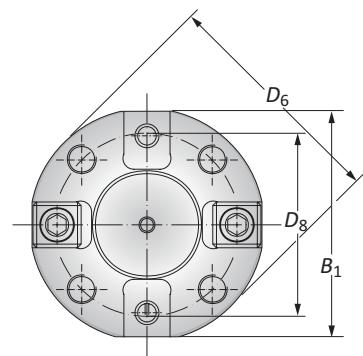
i = Imperial (in)
m = Metric (mm)

Inserts sold separately

WARNING Exceeding weight capacity for machine tool spindle and tool changer can cause machine damage, and/or serious injury. To prevent:
-Consult machine tool builder for machine's weight limitations.
Factory technical assistance is also available for specific applications through our Application Engineering department. ext: 7611 | email: appeng@alliedmachine.com

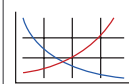
WARNING Tool failure can cause serious injury. To prevent:
-Do not exceed recommended 10xD length to diameter ratio or exceed 4 total components (including shank)
-Refer to example on page B10-N: 8 for calculating length to diameter ratio
Factory technical assistance is available for your specific applications through our Application Engineering department. ext: 7611 | email: appeng@alliedmachine.com

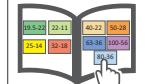
MVS Holding Arbors



	MVS Connection		Holding Arbor						Weight	Part No.
	D_2 D_1	Holding Arbor Connection	X_1	L_1	D_5	D_6	D_8	B_1		
i	80 - 36	D 40 Alu-Line	0.748	1.181	1.574	3.503	2.625	3.149	1.102 (lbs)	309001
	80 - 36	D 60	2.362	1.574	2.362	5.082	4.000	4.921	9.038 (lbs)	209060
	100 - 56	D 40 Alu-Line	1.181	1.181	1.574	3.503	2.625	3.149	2.204 (lbs)	309041
	100 - 56	D 60	2.362	1.574	2.362	5.082	4.000	4.921	13.880 (lbs)	209043
	100 - 56	D 60 Alu-Line	2.362	1.574	2.362	5.082	4.000	4.921	4.850 (lbs)	309043
m	80 - 36	D 40 Alu-Line	19.00	30.00	40.00	89.00	66.70	80.00	0.50 (kg)	309001
	80 - 36	D 60	60.00	40.00	60.00	129.10	101.60	125.00	4.10 (kg)	209060
	100 - 56	D 40 Alu-Line	30.00	30.00	40.00	89.00	66.70	80.00	1.00 (kg)	309041
	100 - 56	D 60	60.00	40.00	60.00	129.10	101.60	125.00	6.30 (kg)	209043
	100 - 56	D 60 Alu-Line	60.00	40.00	60.00	129.10	101.60	125.00	2.20 (kg)	309043

Key on B10-E-1

B10-N: 10-13 

B10: xii-xiii 

i = Imperial (in)
m = Metric (mm)
 Inserts sold separately

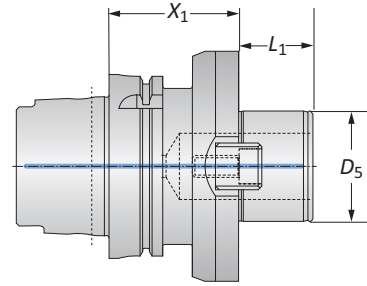
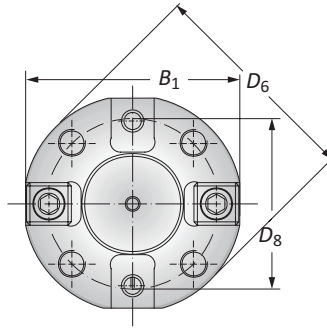
⚠ WARNING Exceeding weight capacity for machine tool spindle and tool changer can cause machine damage, and/or serious injury. To prevent:
 -Consult machine tool builder for machine's weight limitations.
 Factory technical assistance is also available for specific applications through our Application Engineering department. ext: 7611 | email: appeng@alliedmachine.com

⚠ WARNING Tool failure can cause serious injury. To prevent:
 -Do not exceed recommended 10xD length to diameter ratio or exceed 4 total components (including shank)
 -Refer to example on page B10-N: 8 for calculating length to diameter ratio
 Factory technical assistance is available for your specific applications through our Application Engineering department. ext: 7611 | email: appeng@alliedmachine.com

A
B
C
D
E
F
G
H
I
J
K
L
M
N
INDEX

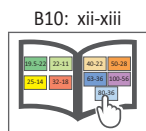
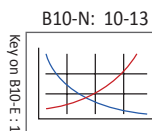
Master Shanks D 40 / D 60

HSK-A (DIN 69 893) Shanks



HSK-A (DIN 69 893) Shanks

Taper Size	Connection	Shank							Weight	Part No.
		X_1	L_1	D_5	D_6	D_8	B_1			
i	63	D 40	2.362	1.181	1.570	3.504	2.626	3.150	4.200 (lbs)	358015
	100	D 40	2.362	1.181	1.570	3.504	2.626	3.150	7.900 (lbs)	258021
	100	D 60	2.756	1.570	2.362	5.083	4.000	4.921	11.500 (lbs)	258061
	100	D 60	2.756	1.570	2.362	5.083	4.000	4.331	11.000 (lbs)	258098
m	63	D 40	60.00	30.00	40.00	89.00	66.70	80.00	1.90 (kg)	358015
	100	D 40	60.00	30.00	40.00	89.00	66.70	80.00	3.60 (kg)	258021
	100	D 60	70.00	40.00	60.00	129.10	101.60	125.00	5.20 (kg)	258061
	100	D 60	70.00	40.00	60.00	129.10	101.60	110.00	5.00 (kg)	258098



i = Imperial (in)
m = Metric (mm)

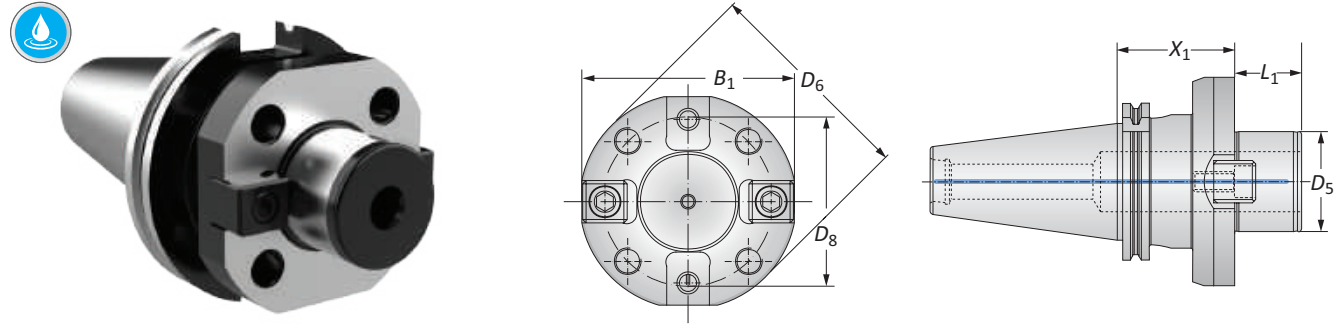
Inserts sold separately

WARNING Exceeding weight capacity for machine tool spindle and tool changer can cause machine damage, and/or serious injury. To prevent:
-Consult machine tool builder for machine's weight limitations.
Factory technical assistance is also available for specific applications through our Application Engineering department. ext: 7611 | email: appeng@alliedmachine.com

WARNING Tool failure can cause serious injury. To prevent:
-Do not exceed recommended 10xD length to diameter ratio or exceed 4 total components (including shank)
-Refer to example on page B10-N: 8 for calculating length to diameter ratio
Factory technical assistance is available for your specific applications through our Application Engineering department. ext: 7611 | email: appeng@alliedmachine.com

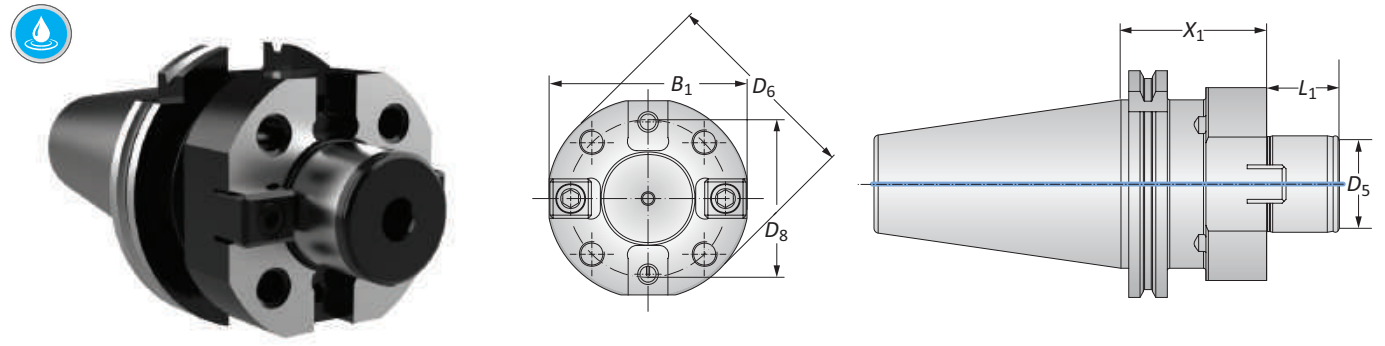
Master Shanks D 40 / D 60

CAT 40 / 50 Shanks with Imperial Threads | CAT 50 Shank with Metric Threads



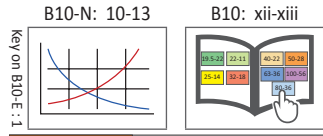
CAT 40 / 50 Shanks with Imperial Threads

Taper Size	Connection	Shank						Weight	Part No.	
		X_1	L_1	D_5	D_6	D_8	B_1			
i	40	D 40	1.970	1.181	1.570	3.504	2.626	3.150	4.000 (lbs)	357004
	50	D 40	1.970	1.181	1.570	3.504	2.626	3.150	8.400 (lbs)	357001
	50	D 60	2.756	1.570	2.362	5.083	4.000	4.331	11.700 (lbs)	357002
	50	D 60	2.756	1.570	2.362	5.083	4.000	4.921	12.100 (lbs)	357003



CAT 50 Shanks with Metric Threads

Taper Size	Connection	Shank						Weight	Part No.	
		X_1	L_1	D_5	D_6	D_8	B_1			
m	50	D 40	60.00	30.00	40.00	89.00	66.70	80.00	4.60 (kg)	326083



i = Imperial (in)
m = Metric (mm)
Inserts sold separately

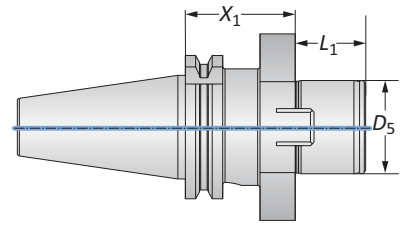
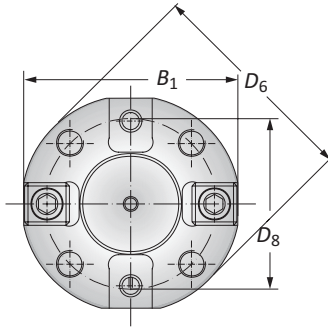
WARNING Exceeding weight capacity for machine tool spindle and tool changer can cause machine damage, and/or serious injury. To prevent:
-Consult machine tool builder for machine's weight limitations.
Factory technical assistance is also available for specific applications through our Application Engineering department. ext: 7611 | email: appeng@alliedmachine.com

WARNING Tool failure can cause serious injury. To prevent:
-Do not exceed recommended 10xD length to diameter ratio or exceed 4 total components (including shank)
-Refer to example on page B10-N: 8 for calculating length to diameter ratio
Factory technical assistance is available for your specific applications through our Application Engineering department. ext: 7611 | email: appeng@alliedmachine.com

A
B
C
D
E
F
G
H
I
J
K
L
M
N
INDEX

Master Shanks D 40 / D 60

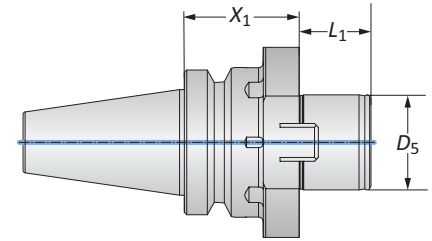
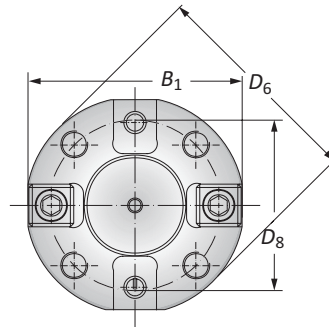
SK (DIN 69 871-AD/B) | BT / JIS B 6339 Shanks



SK (DIN 69 871-AD/B) Shanks

Taper Size	Connection	Shank							Weight	Part No.
		X_1	L_1	D_5	D_6	D_8	B_1			
i	40	D 40	1.970	1.180	1.570	3.500	2.630	0.310	4.190 (lbs)	326080*
	50	D 40	1.970	1.180	1.570	3.500	2.630	0.310	9.040 (lbs)	326081
	50	D 60	2.760	1.570	2.360	5.080	4.000	4.920	12.790 (lbs)	198054T019539
	50	D 60	2.760	1.570	2.360	5.080	4.000	4.330	12.130 (lbs)	198081T019539
m	40	D 40	50.00	30.00	40.00	89.00	66.70	80.00	1.90 (kg)	326080*
	50	D 40	50.00	30.00	40.00	89.00	66.70	80.00	4.10 (kg)	326081
	50	D 60	70.00	40.00	60.00	129.10	101.60	125.00	5.80 (kg)	198054T019539
	50	D 60	70.00	40.00	60.00	129.10	101.60	110.00	5.50 (kg)	198081T019539

*For light machining only

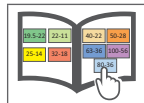
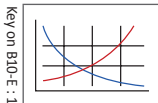


BT / JIS B 6339 Shanks

Taper Size	Connection	Shank							Weight	Part No.
		X_1	L_1	D_5	D_6	D_8	B_1			
i	40	D 40	1.970	1.181	1.570	3.504	2.626	3.150	4.000 (lbs)	326084
	50	D 40	2.165	1.181	1.570	3.504	2.626	3.150	9.900 (lbs)	326082
	50	D 60	3.150	1.570	2.362	5.0833	4.000	-	17.600 (lbs)	326062
m	40	D 40	50.00	30.00	40.00	89.00	66.70	80.00	1.80 (kg)	326084
	50	D 40	55.00	30.00	40.00	89.00	66.70	80.00	4.50 (kg)	326082
	50	D 60	80.00	40.00	60.00	19.10	101.60	-	8.00 (kg)	326062

B10-N: 10-13

B10: xii-xiii



i = Imperial (in)
m = Metric (mm)

Inserts sold separately

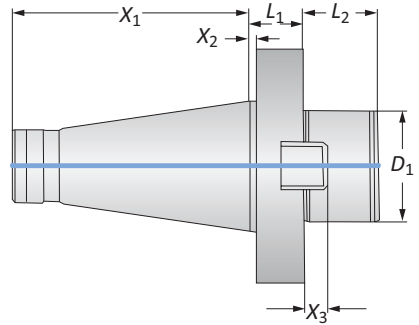
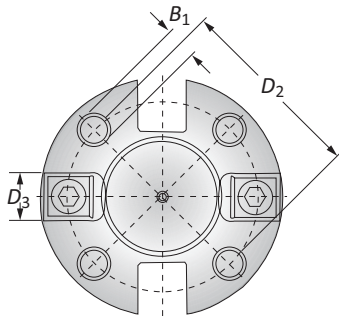
WARNING Exceeding weight capacity for machine tool spindle and tool changer can cause machine damage, and/or serious injury. To prevent:
-Consult machine tool builder for machine's weight limitations.
Factory technical assistance is also available for specific applications through our Application Engineering department. ext: 7611 | email: appeng@alliedmachine.com

WARNING Tool failure can cause serious injury. To prevent:
-Do not exceed recommended 10xD length to diameter ratio or exceed 4 total components (including shank)
-Refer to example on page B10-N: 8 for calculating length to diameter ratio
Factory technical assistance is available for your specific applications through our Application Engineering department. ext: 7611 | email: appeng@alliedmachine.com



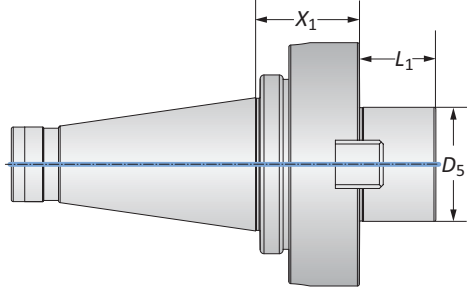
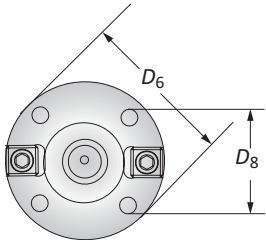
Master Shanks D 40 / D 60

NMTB Shanks | DIN 2080 Shanks



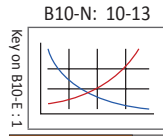
NMTB Shanks

	Taper Size	Connection	Shank								Weight	Part No.	
			X_1	X_2	L_1	L_2	D_1	X_3	D_2	D_3			B_1
i	50	D 60	4.992	0.125	1.141	1.574	2.362	0.492	4.000	1.000	M16	17.637 (lbs)	198051T004480
m	50	D 60	126.80	3.20	29.00	40.00	60.00	12.50	101.60	25.40	M16	8.00 (kg)	198051T004480



DIN 2080 Shanks

	Taper Size	Connection	Shank						Weight	Part No.
			X_1	L_1	D_5	D_6	D_8	B_1		
i	50	D 60	2.165	1.574	2.362	5.039	4.000	-	14.991 (lbs)	326035
m	50	D 60	55.00	40.00	60.00	128.00	101.60	-	6.80 (kg)	326035



i = Imperial (in)
m = Metric (mm)
 Inserts sold separately

WARNING Exceeding weight capacity for machine tool spindle and tool changer can cause machine damage, and/or serious injury. To prevent:
 -Consult machine tool builder for machine's weight limitations.
 Factory technical assistance is also available for specific applications through our Application Engineering department. ext: 7611 | email: appeng@alliedmachine.com

WARNING Tool failure can cause serious injury. To prevent:
 -Do not exceed recommended 10xD length to diameter ratio or exceed 4 total components (including shank)
 -Refer to example on page B10-N: 8 for calculating length to diameter ratio
 Factory technical assistance is available for your specific applications through our Application Engineering department. ext: 7611 | email: appeng@alliedmachine.com

A
B
C
D
E
F
G
H
I
J
K
L
M
N
INDEX

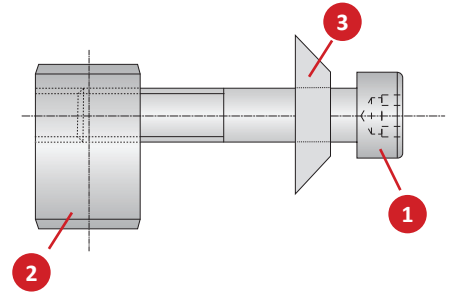
538 (537) Accessories

Clamping Pieces | Counter Weight | Insert Holders for Abrasive Materials

538 (537) Clamping Pieces

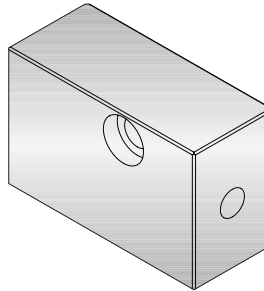
Slide Type	Complete Part No.	Replacement Components				
		Service Key	1 Cap Screw	2 Clamping Nut	3 Disk Spring	
Serrated Tool Bodies	137026	115578	s6 / B	215101	140118	337105
Basic and Eco Slides	137027			215102	215105	337105
Flex Slides	137019			415900	215105	337105

NOTE: Clamping pieces sold separately



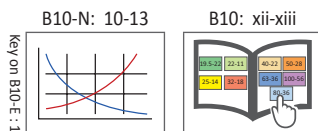
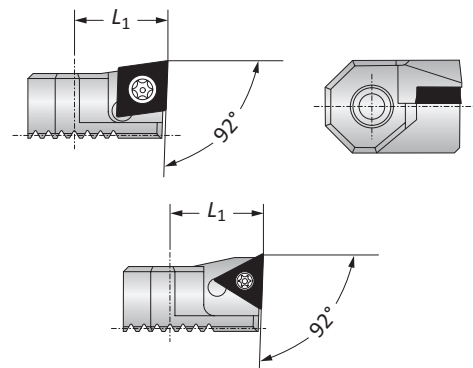
538 (537) Counter Weights

Boring Range	Part No.
i 3.937 - 128.15	538055
m 100.00 - 3255.00	537055



Insert Holders for Abrasive Materials

Boring Range	L ₁	Weight	Insert Form	Part No.
i 7.874 - 33.070	0.708	0.066 (lbs)	20	211061
i 7.874 - 40.157	0.708	0.066 (lbs)	101	211063
i 19.685 - 128.149	0.708	0.066 (lbs)	103	211065
m 200.00 - 840.00	18.00	0.03 (kg)	20	211061
m 200.00 - 1020.00	18.00	0.03 (kg)	101	211063
m 500.00 - 3255.00	18.00	0.03 (kg)	103	211065



i = Imperial (in)
m = Metric (mm)

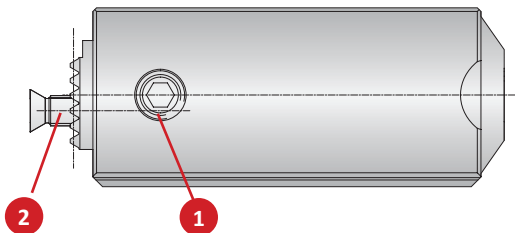
Inserts sold separately

WARNING Exceeding weight capacity for machine tool spindle and tool changer can cause machine damage, and/or serious injury. To prevent:
-Consult machine tool builder for machine's weight limitations.
Factory technical assistance is also available for specific applications through our Application Engineering department. ext: 7611 | email: appeng@alliedmachine.com

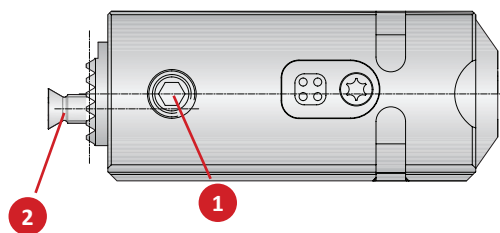
WARNING Tool failure can cause serious injury. To prevent:
-Do not exceed recommended 10xD length to diameter ratio or exceed 4 total components (including shank)
-Refer to example on page B10-N: 8 for calculating length to diameter ratio
Factory technical assistance is available for your specific applications through our Application Engineering department. ext: 7611 | email: appeng@alliedmachine.com

538 (537) Accessories | 3E^{TECH} Accessories

Accessories



538 (537) Analog Cassette



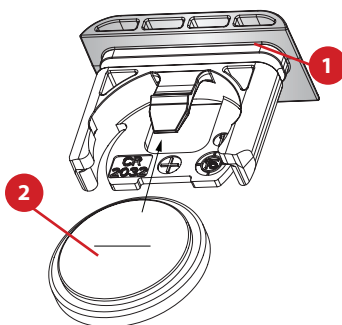
538 (537) Cassette

538 (537) Accessories

Cassette Part No.	1 Countersunk Screw		2 Clamping Screw	
	Part No.	Service Key	Part No.	Service Key
i 538051	215462	T20 / H	136193	s4 / F
	538052	415985	136193	s4 / F
m 537051	215462	T20 / H	136193	s4 / F
	537052	415985	136193	s4 / F

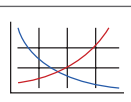
3E^{TECH} Accessories

1 Sealing Ring	2 Battery CR2032
Part No.	Part No.
215483	515491

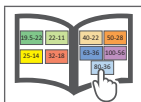


B10-N: 10-13

Key on B10-E-1



B10: xii-xiii



i = Imperial (in)

m = Metric (mm)

Inserts sold separately

WARNING Exceeding weight capacity for machine tool spindle and tool changer can cause machine damage, and/or serious injury. To prevent:

-Consult machine tool builder for machine's weight limitations.

Factory technical assistance is also available for specific applications through our Application Engineering department. ext: 7611 | email: appeng@alliedmachine.com

WARNING Tool failure can cause serious injury. To prevent:

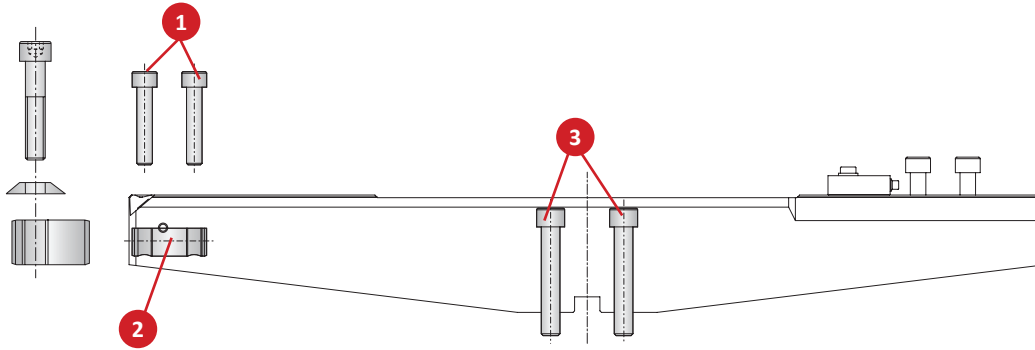
-Do not exceed recommended 10xD length to diameter ratio or exceed 4 total components (including shank)

-Refer to example on page B10-N: 8 for calculating length to diameter ratio

Factory technical assistance is available for your specific applications through our Application Engineering department. ext: 7611 | email: appeng@alliedmachine.com

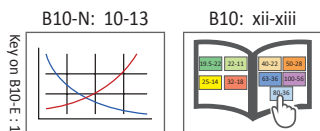
Serrated Slide Basic D 40 Accessories

Clamping Pieces



Clamping Pieces

Connection	Serrated Slide Part No.	1 Cap Screw		2 Clamping Nut Part No.	3 Thread Pin		Cap Screw		
		Part No.	Service Key		Part No.	Service Key	Part No.	Service Key	
i	D 40	350021	115118	s8 / B	115669	349010	s4 / F	315186	s10 / C
	D 40	350022	115118	s8 / B	115669	349011	s4 / F	315186	s10 / C
	D 40	350023	115118	s8 / B	115669	349012	s4 / F	315186	s10 / C
	D 40	350024	115118	s8 / B	115669	349013	s4 / F	315186	s10 / C
m	D 40	349021	115118	s8 / B	115669	349010	s4 / F	315186	s10 / C
	D 40	349022	115118	s8 / B	115669	349011	s4 / F	315186	s10 / C
	D 40	349023	115118	s8 / B	115669	349012	s4 / F	315186	s10 / C
	D 40	349024	115118	s8 / B	115669	349013	s4 / F	315186	s10 / C



i = Imperial (in)
m = Metric (mm)

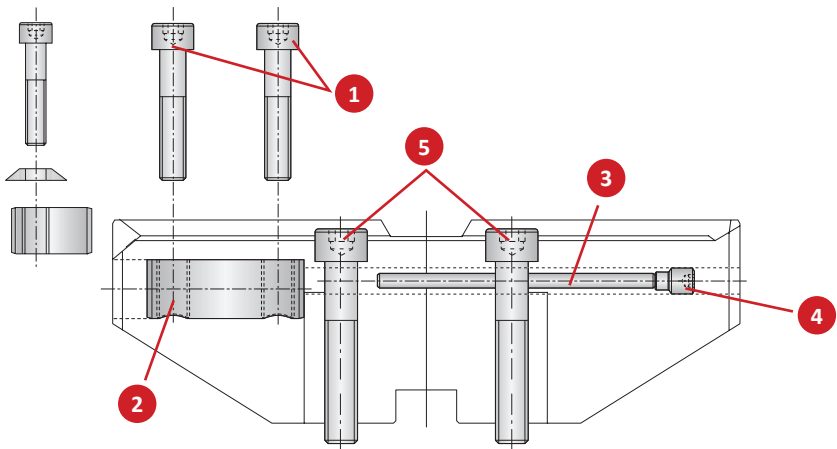
Inserts sold separately

WARNING Exceeding weight capacity for machine tool spindle and tool changer can cause machine damage, and/or serious injury. To prevent:
-Consult machine tool builder for machine's weight limitations.
Factory technical assistance is also available for specific applications through our Application Engineering department. ext: 7611 | email: appeng@alliedmachine.com

WARNING Tool failure can cause serious injury. To prevent:
-Do not exceed recommended 10xD length to diameter ratio or exceed 4 total components (including shank)
-Refer to example on page B10-N: 8 for calculating length to diameter ratio
Factory technical assistance is available for your specific applications through our Application Engineering department. ext: 7611 | email: appeng@alliedmachine.com

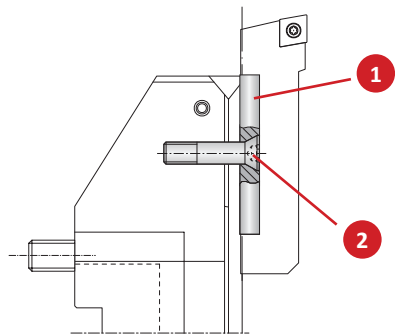
Serrated Slide Basic D 60 Accessories

Clamping Pieces | Cover Plates



Clamping Pieces

Connection	Serrated Slide Part No.	1 Cap Screw		2 Clamping Nut Part No.	3 Adjustment Pin Part No.	4 Thread Pin		5 Cap Screw		
		Part No.	Service Key			Part No.	Service Key	Part No.	Service Key	
i	D 60	350051	115118	s8 / B	115669	114112	115196	s4 / F	115170	s14 / C
	D 60	350052	115118	s8 / B	115669	114113	115196	s4 / F	115170	s14 / C
	D 60	350053	115118	s8 / B	115669	114114	115196	s4 / F	115170	s14 / C
	D 60	350054	115118	s8 / B	115669	114115	115196	s4 / F	115170	s14 / C
m	D 60	349051	115118	s8 / B	115669	114112	115196	s4 / F	115170	s14 / C
	D 60	349052	115118	s8 / B	115669	114113	115196	s4 / F	115170	s14 / C
	D 60	349053	115118	s8 / B	115669	114114	115196	s4 / F	115170	s14 / C
	D 60	349054	115118	s8 / B	115669	114115	115196	s4 / F	115170	s14 / C



Cover Plates for Basic D 60 Serrated Slides

Connection	Serrated Slide Part No.	1 Cover Plate Part No.	2 Countersunk Screw		
			Part No.	Service Key	
i	D 60	350051	349016	063106-1	s4 / B
	D 60	350052	349017	063106-1	s4 / B
	D 60	350053	349017	063106-1	s4 / B
	D 60	350054	349017	063106-1	s4 / B
m	D 60	349051	349016	063106-1	s4 / B
	D 60	349052	349017	063106-1	s4 / B
	D 60	349053	349017	063106-1	s4 / B
	D 60	349054	349017	063106-1	s4 / B

B10-N: 10-13

B10: xii-xiii

i = Imperial (in)
m = Metric (mm)
Inserts sold separately

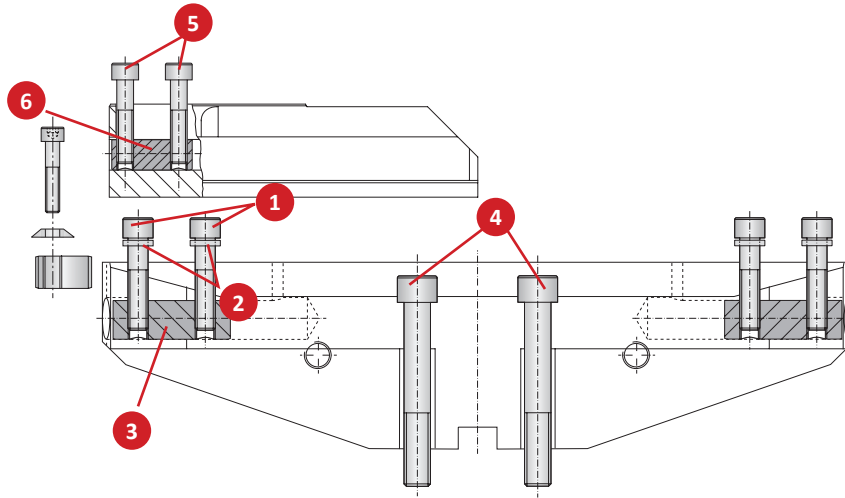
WARNING Exceeding weight capacity for machine tool spindle and tool changer can cause machine damage, and/or serious injury. To prevent:
-Consult machine tool builder for machine's weight limitations.
Factory technical assistance is also available for specific applications through our Application Engineering department. ext: 7611 | email: appeng@alliedmachine.com

WARNING Tool failure can cause serious injury. To prevent:
-Do not exceed recommended 10xD length to diameter ratio or exceed 4 total components (including shank)
-Refer to example on page B10-N: 8 for calculating length to diameter ratio
Factory technical assistance is available for your specific applications through our Application Engineering department. ext: 7611 | email: appeng@alliedmachine.com

A
B
C
D
E
F
G
H
I
J
K
L
M
N
INDEX

Serrated Slide Eco D 60 Accessories

Clamping Pieces

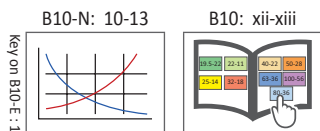


Base Slide Clamping Pieces

Connection	Base Slide Part No.	1 Cap Screw		2 Disc Part No.	3 Clamping Nut Part No.	4 Cap Screw		
		Part No.	Service Key			Part No.	Service Key	
i	D 60	350005	115771	s10 / C	115737	415181	077128	s14 / C
	D 60	350006	115771	s10 / C	115737	415181	077128	s14 / C
m	D 60	349005	115771	s10 / C	115737	415181	077128	s14 / C
	D 60	349006	115771	s10 / C	115737	415181	077128	s14 / C

Serrated Slide Clamping Pieces

Serrated Slide Part No.	Service Key	5 Cap Screw		6 Clamping Nut Part No.	
		Part No.	Service Key		
i	350014		115118	s8 / B	115669
	350015	s14 / C	115118	s8 / B	115669
m	349014		115118	s8 / B	115669
	349015	s14 / C	115118	s8 / B	115669



i = Imperial (in)
m = Metric (mm)

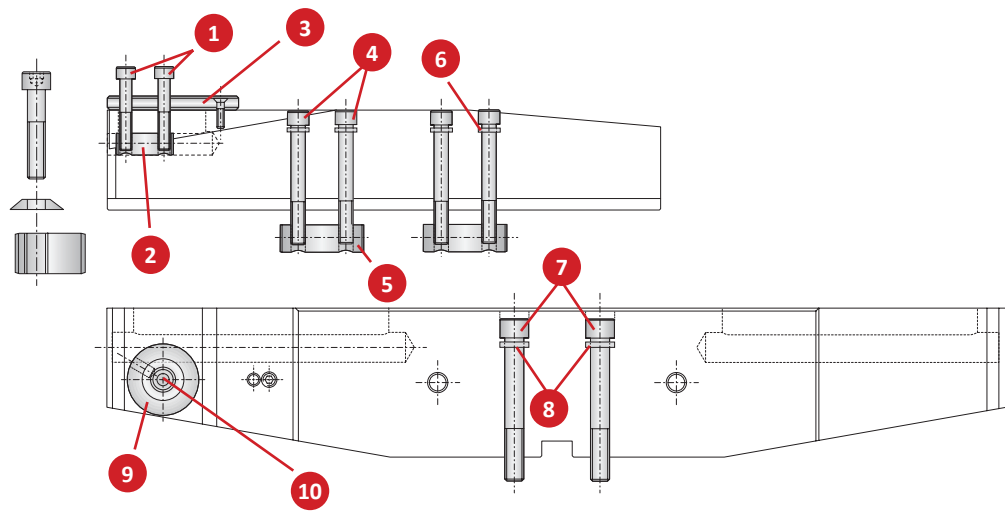
Inserts sold separately

WARNING Exceeding weight capacity for machine tool spindle and tool changer can cause machine damage, and/or serious injury. To prevent:
-Consult machine tool builder for machine's weight limitations.
Factory technical assistance is also available for specific applications through our Application Engineering department. ext: 7611 | email: appeng@alliedmachine.com

WARNING Tool failure can cause serious injury. To prevent:
-Do not exceed recommended 10xD length to diameter ratio or exceed 4 total components (including shank)
-Refer to example on page B10-N: 8 for calculating length to diameter ratio
Factory technical assistance is available for your specific applications through our Application Engineering department. ext: 7611 | email: appeng@alliedmachine.com

Serrated Slide Flex D 60 Accessories

Clamping Pieces

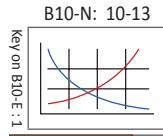


Serrated Slide Clamping Pieces

Serrated Slide	1 Cap Screw		2 Clamping Nut	3 Adapter		4 Cap Screw		5 Clamping Nut	6 Disk	
	Part No.	Part No.	Service Key	Part No.	Part No.	Service Key	Part No.	Service Key	Part No.	Part No.
i	350035	115307	s8 / B	115669	349043	s4 / B	315186	s10 / C	349202	115737
	350036	115307	s8 / B	115669	349043	s4 / B	077110	s10 / C	415181	115737
	350037	115307	s8 / B	115669	349043	s4 / B	315403	s10 / C	415181	115737
	350038	115307	s8 / B	115669	349043	s4 / B	315415	s10 / C	415181	115737
m	349035	115307	s8 / B	115669	349043	s4 / B	315186	s10 / C	349202	115737
	349036	115307	s8 / B	115669	349043	s4 / B	077110	s10 / C	415181	115737
	349037	115307	s8 / B	115669	349043	s4 / B	315403	s10 / C	415181	115737
	349038	115307	s8 / B	115669	349043	s4 / B	315415	s10 / C	415181	115737

Base Slide Clamping Pieces

Connection	Base Slide	7 Cap Screw		8 Disk	9 Injector	10 Countersunk Screw		
	Part No.	Part No.	Service Key	Part No.	Part No.	Part No.	Service Key	
i	D 60	350031	115736	s14 / C	068168	349201	415898	s6 / B
	D 60	350032	415913	s14 / C	068168	349201	415898	s6 / B
	D 60	350033	215509	s14 / C	068168	349201	415898	s6 / B
	D 60	350034	415636	s14 / C	068168	349201	415898	s6 / B
m	D 60	349031	115736	s14 / C	068168	349201	415898	s6 / B
	D 60	349032	415913	s14 / C	068168	349201	415898	s6 / B
	D 60	349033	215509	s14 / C	068168	349201	415898	s6 / B
	D 60	349034	415636	s14 / C	068168	349201	415898	s6 / B



i = Imperial (in)
 m = Metric (mm)
 Inserts sold separately

WARNING Exceeding weight capacity for machine tool spindle and tool changer can cause machine damage, and/or serious injury. To prevent:
 -Consult machine tool builder for machine's weight limitations.
 Factory technical assistance is also available for specific applications through our Application Engineering department. ext: 7611 | email: appeng@alliedmachine.com

WARNING Tool failure can cause serious injury. To prevent:
 -Do not exceed recommended 10xD length to diameter ratio or exceed 4 total components (including shank)
 -Refer to example on page B10-N: 8 for calculating length to diameter ratio
 Factory technical assistance is available for your specific applications through our Application Engineering department. ext: 7611 | email: appeng@alliedmachine.com

A
B
C
D
E
F
G
H
I
J
K
L
M
N
INDEX

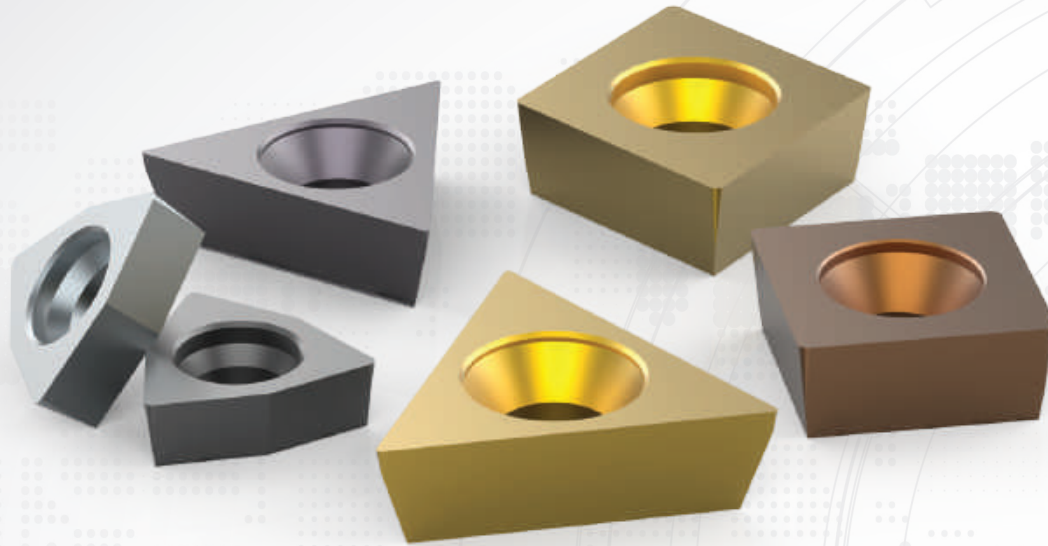
SECTION

B10-F

Inserts

Wohlhaupter® Inserts

Replaceable Boring Inserts



Cutting-Edge Technology

Wohlhaupter has the cutting-edge technology to achieve all of your boring applications. With precision in mind, our inserts are available in multiple insert geometries, coatings, and nose radii. Wohlhaupter inserts are offered in uncoated and coated carbide, cermet, as well as CBN and PCD materials.

Try our easy-to-use boring insert selector available online or download from the app store to find the perfect inserts for your boring applications.

www.alliedmachine.com/bis

Applicable Industries



Aerospace



Agriculture



Automotive



Firearms



General
Machining



Oil & Gas



Renewable
Energy

Your safety and the safety of others is very important. This catalog contains important safety messages. Always read and follow all safety precautions.



This triangle is a safety hazard symbol. It alerts you to potential safety hazards that can cause tool failure and serious injury.

When you see this symbol in the catalog, look for a related safety message that may be near this triangle or referred to in the nearby text.

There are safety signal words also used in the catalog. Safety messages follow these words.

WARNING

WARNING (shown above) means that failure to follow the precautions in this message could result in tool failure and serious injury.

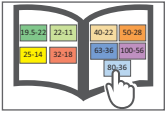
NOTICE means that failure to follow the precautions in this message could result in damage to the tool or machine but not result in personal injury.

NOTE and **IMPORTANT** are also used. These are important that you read and follow but are not safety-related.

Visit www.alliedmachine.com for the most up-to-date information and procedures.

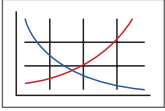
Reference Icons

The following icons will appear throughout the catalog to help you navigate between products.



MVS Connection Color Guide

Detailed instructions and information regarding the MVS connection(s)



Recommended Cutting Data

Speed and feed recommendations for optimum and safe boring

Wohlhaupter® Inserts Table of Contents

Product Nomenclature

Wohlhaupter Product Nomenclature	2
ISO Insert Nomenclature	3

Insert Grades	4 - 9
-------------------------	-------

Insert Geometries	10 - 13
-----------------------------	---------

Insert Forms

Form 211	14 - 15
Form 20	16 - 17
Form 161 and 163	18
Form 47	19
Form 101, 103, 104, and 105	20 - 25
Form 123 and 124	26 - 27
Form 39	28 - 29
Form 75	30 - 31
Form 262 and 264	32 - 33
Form 112, 113, and 114	34
Form 04 and 05	35
Grooving Insert Form 89, 90, and 91	36 - 37
Grooving Insert Form 304	38 - 40
Grooving Insert Form 325	41

Insert Accessories	42
------------------------------	----

Technical Information

Surface Finish and General Formulas	43
Wiper Geometries	44

Wear Patterns	45
-------------------------	----

WOHLHAUPTER®

Boring Insert Selector

Find the best insert for your application.

- Generate the correct boring insert for your job in just six easy steps
- Choose type, shape, substrate, insert form, nose radius, and material
- Order easily by adding the item to your cart

www.alliedmhcine.com/bis



Wohlhafter Insert Product Nomenclature

Reference Key

Symbol	Insert Type
▼	Roughing - Main Application
▽	Roughing - Extended Application
▼▼	Universal - Main Application
▽▽	Universal - Extended Application
▼▼▼	Finishing - Main Application
▽▽▽	Finishing - Extended Application

Reference Key

Symbol	Machining Conditions
●	Good - Main Application
○	Good - Extended Application
●	Average - Main Application
○	Average - Extended Application
⚙	Difficult - Main Application
⚙	Difficult - Extended Application

Reference Key

Symbol	Wohlhafter Insert Grades
WHW	Uncoated carbide (HW)
WHC	Coated carbide (HC)
WHT	Uncoated cermet (HT)
WTC	Coated cermet (HC)
WCN	Ceramic cutting material (CN)
WBN	Cubic boron nitride CBN (BN)
WBC	Coated CBN (BC)
PCD	Polycrystalline diamond PCD (DP)

Wohlhafter Inserts

F101	04	M	N	-	158	W
1	2	3	4		5	6

1. Wohlhafter Insert Form	
211	262
20	264
161	112
163	113
47	114
101	04
103	05
104	89
105	90
123	91
124	304
39	325
75	

2. Corner Radius
Metric (mm)
005 = 0.05mm
01 = 0.10mm
02 = 0.20mm
03 = 0.30mm
04 = 0.40mm
06 = 0.60mm
08 = 0.80mm
12 = 1.20mm
16 = 1.60mm
20 = 2.00mm
24 = 2.40mm

3. Tolerance Group		
	Metric (mm)	
	Length of edge	±0.025
G	IC	±0.025
	Thickness	±0.13
M	Length of edge	±0.08-0.15*
	IC	±0.05-0.10*
	Thickness	±0.13
F	Length of edge	±0.013
	IC	±0.005
	Thickness	±0.025
C	Length of edge	±0.13
	IC	±0.025
	Thickness	±0.025
*Varies upon insert size		

4. Machining Direction
N = Neutral
L = Left
R = Right

5. Geometry						
Carbide	Carbide	Tangential	Ceramic	PCD	CBN	
108	155	880	711	530	538	
109	158	811		720	741	
112	161			730	742	
114	161			735	745	
117	174W				747	
121	192				748	
122	199				749	
126	200				768	
127	650					
128	711					
129	840					
145	850					
	860					

6. Optional Information
W = Wiper Geometry

ISO Insert Nomenclature

DIN ISO 1832

C	C	M	T	09	T3	02
1	2	3	4	5	6	7

1. Basic Insert Form	2. Clearance Angle	3. Tolerance Group	4. Mounting Style
C = Rhomboid 80° D = Rhomboid 55° L = Rectangular R = Round S = Square T = Triangular V = Rhomboid 35° W = Trigon	B = 5° C = 7° N = 0° P = 11° O = 10°	Metric (mm) Length of edge ±0.025 G IC ±0.025 Thickness ±0.13 Length of edge ±0.08-0.15* M IC ±0.05-0.10* Thickness ±0.13 Length of edge ±0.013 F IC ±0.005 Thickness ±0.025 Length of edge ±0.13 C IC ±0.025 Thickness ±0.025 *Varies upon insert size	T = One sided countersunk Cylindrical fixing hole Countersunk 40° - 60° H = One sided chipbreaker Cylindrical fixing hole Countersunk 70° - 90° W = Without chipbreaker Cylindrical fixing hole Countersunk 40° - 60° X = Special design Special insert design A = Without chipbreaker Cylindrical fixing hole Without countersunk

5. Insert Size / Cutting Edge							
Metric (mm)	C	D	R	S	T	V	W
3.97mm					006		03
5.00mm					F20		
6.00mm					F21		
6.35mm	06				11	11	
7.94mm				07			
9.52mm	09	11		09	16	16	
10.00mm		10					
12.00mm	12	12					
12.70mm	16	15		12			
15.87mm			15	15			
16.00mm			16				
19.05mm		19		19			
20.00mm			20				
25.00mm			25				
25.40mm				25			

6. Insert Thickness
Metric (mm) 01 = 1.59mm 02 = 2.38mm T2 = 2.78mm 03 = 3.18mm T3 = 3.97mm 04 = 4.76mm 05 = 5.56mm 06 = 6.35mm 07 = 7.94mm

7. Corner Radius
Metric (mm) 005 = 0.05mm 01 = 0.10mm 02 = 0.20mm 03 = 0.30mm 04 = 0.40mm 06 = 0.60mm 08 = 0.80mm 12 = 1.20mm 16 = 1.60mm 20 = 2.00mm 24 = 2.40mm

Wohlhaupter Insert Grades

Uncoated Carbides

Uncoated Carbides

Cutting Material	Description	Material	ISO Application							
			05	10	15	20	25	30	35	40
WHW01 (HW)	<ul style="list-style-type: none"> Fine-grain carbide Finishing & light roughing Non-ferrous metals, cast materials & difficult-to-machine alloys 	P								
		M								
		K								
		N								
		S								
		H								
WHW03 (HW)	<ul style="list-style-type: none"> Fine-grain carbide Grooving & roughing Non-ferrous metals, cast materials & difficult-to-machine alloys 	P								
		M								
		K								
		N								
		S								
		H								
WHW16 (HW)	<ul style="list-style-type: none"> Fine-grain carbide Finishing & light roughing Non-ferrous metals, cast materials & difficult-to-machine alloys 	P								
		M								
		K								
		N								
		S								
		H								
WHW20 (HW)	<ul style="list-style-type: none"> Tough fine-grain carbide Finishing roughing & grooving. Steel & cast materials, cast steel Non-ferrous materials & difficult-to-machine alloys 	P								
		M								
		K								
		N								
		S								
		H								

Wohlhaupter Insert Grades

Coated Carbides

Coated Carbides

Cutting Material	Description	Material	ISO Application							
			05	10	15	20	25	30	35	40
WHC05 (HC)	<ul style="list-style-type: none"> PVD coating with nano-composite structure Finishing & roughing Steels, stainless steels, cast materials, & difficult-to-machine alloys 	P								
		M								
		K								
		N								
		S								
		H								
WHC18 (HC)	<ul style="list-style-type: none"> PVD-TiB2 coating Finishing & light roughing Non-ferrous metals 	P								
		M								
		K								
		N								
		S								
		H								
WHC19 (HC)	<ul style="list-style-type: none"> Multi-layer PVD coating Finishing & roughing Stainless steels 	P								
		M								
		K								
		N								
		S								
		H								
WHC20 (HC)	<ul style="list-style-type: none"> Multi-layer CVD coating Finishing Steels & stainless steels 	P								
		M								
		K								
		N								
		S								
		H								
WHC30 (HC)	<ul style="list-style-type: none"> CVD coating Roughing Steel & cast steel 	P								
		M								
		K								
		N								
		S								
		H								
WHC77 (HC)	<ul style="list-style-type: none"> Fine-grained substrate with modified cobalt to increase strength MT-CVD coating combines advantages of TiCN & Al₂O₃ Versatile material designed for turning gray and ductile iron Rough & finish machining Medium to high cutting speeds Continuous & light to medium interrupted cuts 	P								
		M								
		K								
		N								
		S								
		H								
WHC79 (HC)	<ul style="list-style-type: none"> Multi-layer MT CVD coating Roughing & finishing Steels, stainless steels & cast materials 	P								
		M								
		K								
		N								
		S								
		H								
WHC98 (HC)	<ul style="list-style-type: none"> PVD TiAlN coating Roughing & finishing Steels, stainless steels & difficult-to-machine materials 	P								
		M								
		K								
		N								
		S								
		H								

A
B
C
D
E
F
G
H
I
J
K
L
M
N
INDEX

Wohlhaupter Insert Grades

Coated Carbides

Coated Carbides

Cutting Material	Description	Material	ISO Application							
			05	10	15	20	25	30	35	40
WHC110 (HC)	<ul style="list-style-type: none"> Multi-layer PVD coating Finishing Steels & stainless steels 	P								
		M								
		K								
		N								
		S								
		H								
WHC111 (HC)	<ul style="list-style-type: none"> PVD TiAlN coating Finishing Machining of steels after heat treating with high Cr content up to 60 HRC Hard - soft transitions, difficult-to-machine alloys & stainless steels 	P								
		M								
		K								
		N								
		S								
		H								
WHC114 (HC)	<ul style="list-style-type: none"> Multi-layer PVD coating Finishing & roughing Steels, stainless steels, & difficult-to-machine materials 	P								
		M								
		K								
		N								
		S								
		H								
WHC136 (HC)	<ul style="list-style-type: none"> Stronger PVD coating with improved coating adhesion High oxidation resistance allows a wide range of applications 	P								
		M								
		K								
		N								
		S								
		H								
WHC164 (HC)	<ul style="list-style-type: none"> Thick MT-CVD coating with a dominant AC₂O₃ Primarily developed for the material groups P-K & alternatively H Full & discontinuous cut High cutting speeds possible 	P								
		M								
		K								
		N								
		S								
		H								
WHC168 (HC)	<ul style="list-style-type: none"> Multi-layer MT CVD coating Excellent combination of toughness & reliability Steels, cast materials & alternatively for stainless steel 	P								
		M								
		K								
		N								
		S								
		H								
WHC198 (HC)	<ul style="list-style-type: none"> Upgraded PVD grade with hard AlTiN coating Optimized cutting edge stability General machining of steel, stainless steel, high temperature resistant alloys, titanium, iron, cast iron, & non-ferrous materials 	P								
		M								
		K								
		N								
		S								
		H								

Wohlhaupter Insert Grades

Uncoated Cermet | Coated Cermet

Uncoated Cermet

Cutting Material	Description	Material	ISO Application							
			05	10	15	20	25	30	35	40
WHT10 (HT)	<ul style="list-style-type: none"> Uncoated cermet Finishing Steels, stainless steels & cast materials 	P								
		M								
		K								
		N								
		S								
		H								
WHT12 (HC)	<ul style="list-style-type: none"> Uncoated cermet Finishing Steels, cast materials, sintered metals, & non-ferrous metals 	P								
		M								
		K								
		N								
		S								
		H								
WHT32 (HC)	<ul style="list-style-type: none"> Uncoated cermet Finishing Steels & cast materials 	P								
		M								
		K								
		N								
		S								
		H								

Coated Cermet

Cutting Material	Description	Material	ISO Application							
			05	10	15	20	25	30	35	40
WTC15 (TC)	<ul style="list-style-type: none"> New PVD brilliant coating Reduce friction coefficient in turning applications Coated cermet general purpose grade for material group Achieves excellent surface finish with excellent wear resistance Usable in stainless steels 	P								
		M								
		K								
		N								
		S								
		H								
WTC121 (TC)	<ul style="list-style-type: none"> PVD coated cermet Finishing of steels & stainless steels 	P								
		M								
		K								
		N								
		S								
		H								

Wohlhaupter Insert Grades

Uncoated Cubic Boron Nitride | Coated Cubic Boron Nitride

Uncoated Cubic Boron Nitride

Cutting Material	Description	Material	ISO Application							
			05	10	15	20	25	30	35	40
WBN150 (BN)	<ul style="list-style-type: none"> Uncoated CBN grade Roughing & finishing smooth & slightly discontinuous cuts Hardened steels 58 - 64 HRC Grain size 2 µm CBN content: 50% 	P								
		M								
		K								
		N								
		S								
		H								
WBN200 (BN)	<ul style="list-style-type: none"> Uncoated CBN grade Roughing & finishing highly discontinuous cuts Hardened steels 58 - 64 HRC Grain size 3 µm CBN content: 65% 	P								
		M								
		K								
		N								
		S								
		H								
WBN300 (BN)	<ul style="list-style-type: none"> Uncoated CBN grade Roughing & finishing smooth cuts Hardened steels 58 - 64 HRC Grain size 0.5 - 1.0 µm CBN content: approximately 50% 	P								
		M								
		K								
		N								
		S								
		H								
WBN450 (BN)	<ul style="list-style-type: none"> Uncoated CBN grade Roughing & finishing smooth & discontinuous cuts Pearlite gray cast iron & sintered metals Grain size 2 µm CBN content: 90% 	P								
		M								
		K								
		N								
		S								
		H								

Coated Cubic Boron Nitride

Cutting Material	Description	Material	ISO Application							
			05	10	15	20	25	30	35	40
WBC... (BC)	<ul style="list-style-type: none"> Single and multiple assembled Different sizes & designs available upon request. Please contact our Application Engineering Department <i>email: appeng@alliedmachine.com</i> <i>ext: 7611</i> 	P								
		M								
		K								
		N								
		S								
		H								

Wohlhaupter Insert Grades

Polycrystalline Diamond | Ceramic Cutting Material

Polycrystalline Diamond

Cutting Material	Description	Material	ISO Application							
			05	10	15	20	25	30	35	40
PCD D30 (DP)	<ul style="list-style-type: none"> PCD medium grain grade Finishing Al alloys & Mg alloys up to 12% Si Grain size 10 µm 	P								
		M								
		K								
		N								
		S								
		H								
PCD D50 (DP)	<ul style="list-style-type: none"> PCD mixed-grain grade Finishing CFRP, GRP, MMC, Al alloys over 12% Si Grain size 2 - 30 µm 	P								
		M								
		K								
		N								
		S								
		H								












Ceramic Cutting Material

Cutting Material	Description	Material	ISO Application							
			05	10	15	20	25	30	35	40
WCN06 (CN)	<ul style="list-style-type: none"> Uncoated silicon-nitride ceramic Roughing Pearlite gray cast-iron 	P								
		M								
		K								
		N								
		S								
		H								

Wohlhaupter Insert Geometries

Cermet | Carbide



























Cermet | Carbide

Geometry	Description	Application	Available Form
108 	<ul style="list-style-type: none"> Sintered chip breaker for higher feeds Suitable for highly discontinuous cuts 	▼▼▼ ▼	F101, F103, F104, F112, F113
109 	<ul style="list-style-type: none"> Sintered geometry with V-shaped chip breaker for roughing & finishing Good chip control even for shallow depth of cut 	▼▼▼ ▼	F101, F103, F104
112 	<ul style="list-style-type: none"> Sintered chip breaker Finishing & light roughing 	▼▼▼ ▼	F101, F03
117 	<ul style="list-style-type: none"> Sintered geometry for medium machining & roughing Main application in material groups P, M, & K 	▼▼▼ ▼	F75, F123, F124
121 	<ul style="list-style-type: none"> Positive geometry with stable cutting edge Finishing in different material groups Good chip control 	▼▼▼	F20, F211
122 	<ul style="list-style-type: none"> Sintered chip breaker Good chip control - even with long-chipping materials 	▼▼▼	F101, F103, F161
126 	<ul style="list-style-type: none"> Sintered version with a wide range of applications 	▼	F105
127 	<ul style="list-style-type: none"> Highly positive sintered geometry For non-ferrous metals & cast iron 	▼▼▼ ▼	F39, F101, F103, F104, F112, F113, F262, F264
128 	<ul style="list-style-type: none"> Highly positive sintered geometry Polished for finishing non-ferrous metals, cast iron, & steel 	▼▼▼	F20
129 	<ul style="list-style-type: none"> Highly positive chip breaking geometry Polished for non-ferrous metals, cast iron, & steel Ideal for structural steel applications 	▼▼▼ ▼	F39, F101, F103, F262, F264
145 	<ul style="list-style-type: none"> Geometry for finishing in smooth & discontinuous cut Good chip control - even with long-chipping materials 	▼▼▼ ▼	F101, F103, F112, F113, F161

Wohlhaupter Insert Geometries

Cermet | Carbide



Cermet | Carbide

Geometry	Description	Application	Available Form
155 	<ul style="list-style-type: none"> Positive sintered geometry Special cutting edge design in combination with the chip breaker design enables exceptional chip control even at shallow cutting depths & light feeds 		F20, F101, F103, F39, F264
158 	<ul style="list-style-type: none"> Stable sintered geometry for roughing & finishing with & without discontinuous cuts 		F75, F101, F103, F104, F105, F113, F114, F123, F124, F163
161 	<ul style="list-style-type: none"> Slightly positive & stable geometry Main application material groups S & M. Alternatively suitable for P & K Roughing & finishing in full & interrupted cuts 		F75, F123
167 	<ul style="list-style-type: none"> Positive sintered geometry with sharp cutting edges Finishing up to medium machining Excellent for M & S materials 		F75, F123
174W 	<ul style="list-style-type: none"> Wiper geometry for highly productive turning & boring Can be used with pitch angle 92° - 95° Good chip breaking properties even at lower feed rates 		F101, F103
192 	<ul style="list-style-type: none"> Sintered version for a variety of applications Low cutting pressure because of sharp cutting edge prep 		F39, F101, F103, F104, F112, F113, F163, F161, F262, F264
199 	<ul style="list-style-type: none"> Positive sintered geometry for wide variety of applications Special chip breaker allows chip control with different radial depth of cut 		F101, F103, F104, F112, F113
200 	<ul style="list-style-type: none"> Highly positive sintered geometry Applicable for various material groups for low cutting pressure 		F39, F101, F103, F104, F264
650 	<ul style="list-style-type: none"> Obliquely ground chip breaker reduces cutting forces Finishing & smooth interrupted cuts 		F20, F211
711 	<ul style="list-style-type: none"> Negative geometry with 0 rake suitable for fine finishing and semi-roughing Machined materials in groups K & H Continuous and moderately interrupted cut 		F101, F103, F104, F113, F163
840 	<ul style="list-style-type: none"> Parallel ground chip breaker For finish operations with stable cutting edge 		F20
850 	<ul style="list-style-type: none"> Parallel ground chip breaker Good chip control with short to medium feeds 		F161
860 	<ul style="list-style-type: none"> Parallel ground chip breaker reduces cutting forces Stable for a wide range of applications 		F101, F103, F104, F105, F325


Wohlhaupter Insert Geometries

Tangential | Ceramic

Tangential

Geometry	Description	Application	Available Form
880 	<ul style="list-style-type: none"> Large parallel ground chip breaker with 10° rake angle for reduced cutting force 	▼	F04, F05
811 	<ul style="list-style-type: none"> Smooth geometry without additional ground chip breaker Reinforced cutting edges provide stability Excellent for cast materials 	▼	F05









Ceramic

Geometry	Description	Application	Available Form
711 	<ul style="list-style-type: none"> Smooth geometry with 0° rake angle High cutting edge stability particularly in discontinuous cuts 	▼	F75, F103, F104, F123

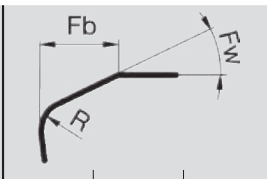
















Wohlhaupter Insert Geometries

PCD | CBN

PCD

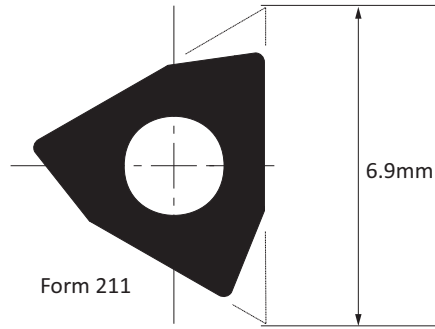
Geometry	Description	Application	Available Form
530 	<ul style="list-style-type: none"> PCD-tipped cutting edge 		F101, F103
720 	<ul style="list-style-type: none"> Smooth geometry in positive version with 7° rake angle for PCD Sharp cutting edge 		F20, F101, F103
730 	<ul style="list-style-type: none"> Smooth geometry with 0° rake angle for PCD Sharp cutting edge 		F20, F39, F75, F101, F103, F123, F211, F262, F264
735 	<ul style="list-style-type: none"> Smooth geometry Laser-cut chip breaker for PCD Suitable for long-chipping aluminum wrought alloys 		F20, F39, F101, F103, F211, F262, F264

CBN

Geometry	Description				Application	Available Form
		R	Fb	Fw		
548 	<ul style="list-style-type: none"> Smooth geometry with 0° rake angle for afforded CBN Rounded cutting edge - not for chamfering For cast materials 	0.015				F101, F103
741 	<ul style="list-style-type: none"> Smooth geometry with 0° rake angle for CBN Rounded cutting edge with 30° chamfer 	0.015	0.15	30°		F20, F101, F103
742 	<ul style="list-style-type: none"> Smooth geometry with 0° rake angle for CBN Rounded cutting edge with 15° chamfer 	0.015	0.1	15°		F20, F101, F103
745 	<ul style="list-style-type: none"> Smooth geometry with 0° rake angle for CBN Rounded cutting edge with 30° chamfer 	0.015	0.05	30°		F20, F211
747 	<ul style="list-style-type: none"> Smooth geometry with 0° rake angle for CBN Rounded cutting edge with a small 20° chamfer 	0.015	0.1	20°		F39, F104, F262, F264
748 	<ul style="list-style-type: none"> Smooth geometry with 0° rake angle for CBN Rounded cutting edge No chamfer 	0.015	0.2	20°		F20, F101, F103, F211
749 	<ul style="list-style-type: none"> Smooth geometry with 0° rake angle for CBN Rounded cutting edge with a large 20° chamfer 	0.015				F75, F123, F264
768 	<ul style="list-style-type: none"> Smooth geometry with 7° rake angle for CBN Rounded cutting edge 	0.015				F20, F101, F103

Insert Form 211

Cermet | Carbide



						Cermet						Carbide													
						Uncoated			Coated			Uncoated			Coated										
Material	Grade					WHT10	WHT12	WHT16	WHT32	WTC15	WTC121	WHW01	WHW16	WHC05	WHC18	WHC19	WHC79	WHC98	WHC111	WHC114	WHC136	WHC164			
Steel	P					▼▼							▼▼	▼▼	▼▼			▼▼	▼▼	▼▼	▼▼				
Stainless Steel	M												▼▼	▼▼	▼▼			▼▼	▼▼	▼▼	▼▼				
Cast Iron	K					▼▼					▼▼		▼▼	▼▼	▼▼			▼▼	▼▼	▼▼	▼▼				
Non-Ferrous Materials	N					▼▼					▼▼		▼▼	▼▼	▼▼										
Titanium	S										▼▼			▼▼	▼▼			▼▼	▼▼	▼▼	▼▼				
Hard Materials	H																	▼▼	▼▼	▼▼	▼▼				
Geometry	Radius		ISO Code	Description	Part No.																				
	in	mm																							
121	0.004	0.10	WBGX030101	F21101GN121	397675																				
121	0.008	0.20	WBGX030102	F21102GN121	397676																				
650	0.004	0.10	WBGX030101	F21101GL650	097755		●				●		●	●							●				
650	0.008	0.20	WBGX030102	F21102GL650	097454		●				●		●								●				

Reference Key

Symbol	Machining Conditions
●	Good - Main Application
◐	Average - Main Application
⚡	Difficult - Main Application

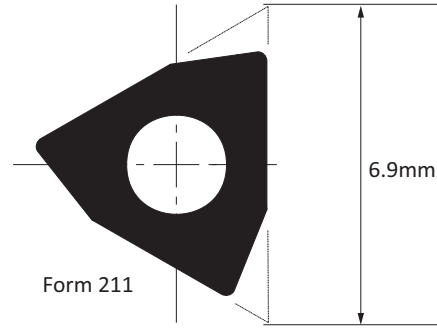
Reference Key

Symbol	Insert Type
▼▼	Finishing - Main Application
▽▽	Finishing - Extended Application

Insert Form	Countersunk Screw		Torque Driver	Service Key	Technical Data	
					Torque	Key Size
211	215377-1	M2x4	415507	115537	0.6 Nm	T6

Insert Form 211

CBN | PCD



						Ceramic		CBN				PCD			
						Uncoated	Coated	Uncoated		Coated					
Steel						P									
Stainless Steel						M									
Cast Iron						K				▼▼▼					
Non-Ferrous Materials						N						▼▼▼▼▼			
Titanium						S									
Hard Materials						H			▼▼▼						
Geometry	Radius		ISO Code	Description	Part No.			WBN150	WBN200	WBN300	WBN450			PKDD30	PKDD50
	in	mm													
730	0.004	0.10	WBGX030101	F21101GN730	397763									●	
730	0.008	0.20	WBGX030102	F21102GN730	097557									●	●
735	0.008	0.20	WBGX030102	F21102GN735	397237									●	
748	0.004	0.10	WBGX030101	F21101GN748	097486			●		●					●
748	0.008	0.20	WBGX030102	F21102GN748	097552			●		●					

Insert Form	Countersunk Screw		Torque Driver	Service Key	Technical Data	
					Torque	Key Size
211	215377-1	M2x4	415507	115537	0.6 Nm	T6

Reference Key

Symbol	Machining Conditions
●	Average - Main Application

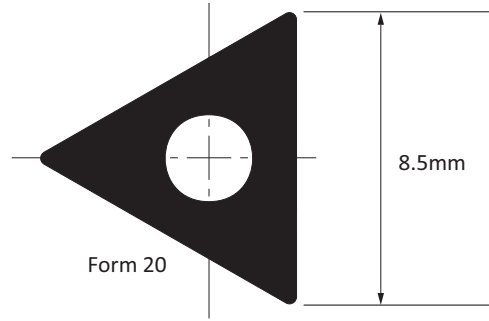
Reference Key

Symbol	Insert Type
▼▼▼	Finishing - Main Application

A
B
C
D
E
F
G
H
I
J
K
L
M
N
INDEX

Insert Form 20

Cermet | Carbide



						Cermet						Carbide									
						Uncoated			Coated			Uncoated			Coated						
Material	Grade					WHT10	WHT12	WHT16	WHT32	WTC15	WTC121	WHW01	WHW16	WHC05	WHC18	WHC19	WHC79	WHC98	WHC111	WHC114	WHC136
Geometry	Radius	in	mm	ISO Code	Description	Part No.															
Steel							▼▼			▼▼	▼▼			▼▼		▼▼		▼▼		▼▼	
Stainless Steel										▼▼	▼▼			▼▼		▼▼		▼▼		▼▼	
Cast Iron							▼▼			▼▼			▼▼	▼▼		▼▼		▼▼		▼▼	▼▼
Non-Ferrous Materials							▼▼						▼▼	▼▼							
Titanium												▼▼	▼▼		▼▼					▼▼	▼▼
Hard Materials																				▼▼	▼▼
121	0.004	0.10	TOGX080201	F02001GN121	397672										●				●		
121	0.008	0.20	TOGX080202	F02002GN121	397673										●				●		
121	0.016	0.40	TOGX080204	F02004GN121	397674										●				●		
128	0.008	0.20	TOGX080202	F02002GN128	297541							●	●	●							
128	0.016	0.40	TOGX080204	F02004GN128	297542							●	●	●							
155	0.008	0.20	TOMX080202	F02002MN155	397688				●												
155	0.016	0.40	TOMX080204	F02004MN155	397689				●												
650	0.004	0.10	TOGX080201	F02001GL650	097153		●			●	●		●								●
650	0.008	0.20	TOGX080202	F02002GL650	097546		●			●	●		●								●
650	0.012	0.30	TOGX080203	F02003GL650	097154					●	●		●								●
650	0.016	0.40	TOGX080204	F02004GL650	097599		●			●	●		●								●
650	0.031	0.80	TOGX080208	F02008GL650	397764						●										●
840	0.008	0.20	TOGX080202	F02002GR840	097701		●						●								

Reference Key

Symbol	Machining Conditions
●	Good - Main Application
◐	Average - Main Application
⊕	Difficult - Main Application

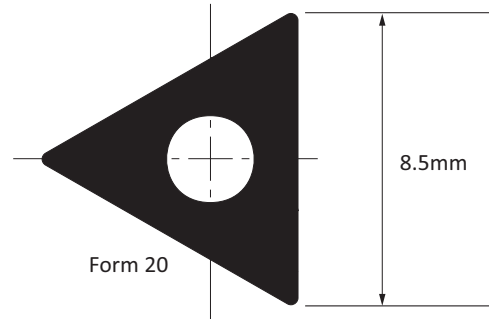
Reference Key

Symbol	Insert Type
▼▼	Finishing - Main Application
▽▽	Finishing - Extended Application

Insert Form	Countersunk Screw	Torque Driver	Service Key	Technical Data	
				Torque	Key Size
20	115535-1 M2x5	415508	115591	0.9 Nm	T7

Insert Form 20

CBN | PCD



						CBN				PCD	
						Uncoated		Coated			
						WBN150	WBN200	WBN300	WBN450	PKDD30	PKDD50
Geometry	Radius		ISO Code	Description	Part No.						
	in	mm									
Steel			P								
Stainless Steel			M								
Cast Iron			K			▼▼	▼▼				
Non-Ferrous Materials			N							▼▼	▼▼
Titanium			S								
Hard Materials			H			▼▼	▼▼				
720	0.008	0.20	TOGX080202	F02002GN720	297692					●	
720	0.016	0.40	TOGX080204	F02004GN720	297845					●	
730	0.008	0.20	TOGX080202	F02002GN730	097487					●	●
730	0.016	0.40	TOGX080204	F02004GN730	097686					●	●
730	0.031	0.80	TOGX080208	F02008GN730	097877					●	
735	0.008	0.20	TOGX080202	F02002GN735	397133					●	
735	0.016	0.40	TOGX080204	F02004GN735	397301					●	
741	0.008	0.20	TOGX080202	F02002GN741	297260		●				
741	0.016	0.40	TOGX080204	F02004GN741	297262		●				
742	0.008	0.20	TOGX080202	F02002GN742	297264			●			
742	0.016	0.40	TOGX080204	F02004GN742	397610			●			
745	0.004	0.10	TOGX080201	F02001GN745	297259		●				
748	0.008	0.20	TOGX080202	F02002GN748	297780				●		
748	0.016	0.40	TOGX080204	F02004GN748	297782				●		
768	0.008	0.20	TOGX080202	F02002GN768	397146				●		
768	0.016	0.40	TOGX080204	F02004GN768	397192				●		

Insert Form	Countersunk Screw		Torque Driver	Service Key	Technical Data	
					Torque	Key Size
20	115535-1	M2x5	415508	115591	0.9 Nm	T7

Reference Key

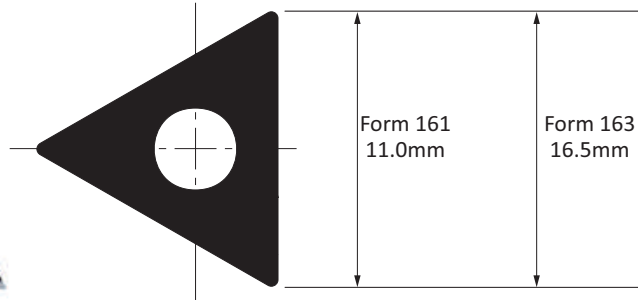
Symbol	Machining Conditions
●	Good - Main Application
◐	Average - Main Application

Reference Key

Symbol	Insert Type
▼▼	Finishing - Main Application

Insert Forms 161, 163

Cermet | Carbide



						Cermet								Carbide									
						Uncoated				Coated				Uncoated				Coated					
Material	Code					WHT10	WHT12	WHT16	WHT32	WTC15	WTC121	WHW01	WHW16	WHC05	WHC18	WHC19	WHC77	WHC79	WHC110	WHC111	WHC114	WHC136	WHC164
Steel	P					●																	
Stainless Steel	M												●	●									
Cast Iron	K					▽▽▽																	
Non-Ferrous Materials	N					▽▽▽																	
Titanium	S																						
Hard Materials	H																						
Geometry	Radius		ISO Code	Description	Part No.	WHT10	WHT12	WHT16	WHT32	WTC15	WTC121	WHW01	WHW16	WHC05	WHC18	WHC19	WHC77	WHC79	WHC110	WHC111	WHC114	WHC136	WHC164
	in	mm																					
122	0.016	0.40	TCMT110204	F16104MN122	097953	●																	
129	0.008	0.20	TCGT110202	F16102GN129	397769								●	●									
129	0.016	0.40	TCGT110204	F16104GN129	397770								●	●									
129	0.016	0.40	TCGT16T304	F16304GN129	397771								●	●									
145	0.016	0.40	TCGT110204	F16104GN145	297993																●		
158	0.016	0.40	TCMT16T304	F16304MN158	297604														●				
192	0.016	0.40	TCMT110204	F16104MN192	397663																		●
192	0.016	0.40	TCMT16T304	F16304MN192	397654																		●
192	0.031	0.80	TCMT16T308	F16308MN192	397772																		●
711	0.016	0.40	TCMT16T304	F16304MN711	397898																		●
711	0.031	0.80	TCMT16T308	F16304MN711	397899																		●
850	0.008	0.20	TCGT110202	F16102GL850	097512		●																

Reference Key

Symbol	Machining Conditions
●	Good - Main Application
●	Average - Main Application
⚙	Difficult - Main Application

Reference Key

Symbol	Insert Type
▼▼	Finishing - Main Application
▽▽	Finishing - Extended Application

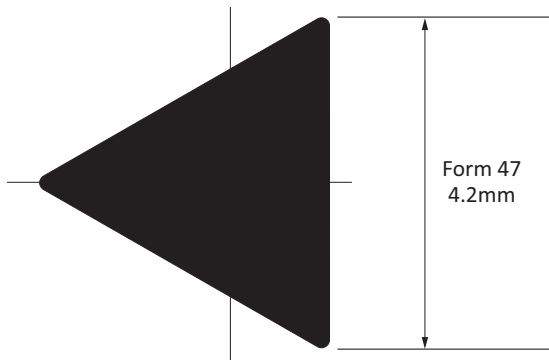
Insert Form	Countersunk Screw		Torque Driver	Service Key	Technical Data	
					Torque	Key Size
161	115676-1	M2.5x5	415514	115590	1.2 Nm	T8
163	115673-1	M3.5x9	415510	115664	3.0 Nm	T15

Insert Form 47

Cermet | Carbide



650 Geometry



						Carbide										
						Uncoated					Coated					
Material	ISO Code	Part No.				WHW01	WHW16	WHC05	WHC18	WHC20	WHC79	WHC110	WHC111	WHC114	WHC136	WHC164
Steel	P								▽▽▽							
Stainless Steel	M								▽▽▽							
Cast Iron	K					▽▽▽			▽▽▽							
Non-Ferrous Materials	N					▽▽▽										
Titanium	S					▽▽▽										
Hard Materials	H															

Geometry	Radius		ISO Code	Description	Part No.	WHW01	WHW16	WHC05	WHC18	WHC20	WHC79	WHC110	WHC111	WHC114	WHC136	WHC164
	in	mm														
650	0.004	0.10	TOFX040101	F04701FL650	097832	●				●						
650	0.008	0.20	TOFX040102	F04702FL650	097833	●				●						

					Technical Data	
Insert Form	Countersunk Screw	Clamping Jaw	Torque Driver	Service Key	Torque	Key Size
47	315324-1 M1.8x4	315323	-	115537	0.5 Nm	T6

Reference Key

Symbol	Machining Conditions
●	Good - Main Application

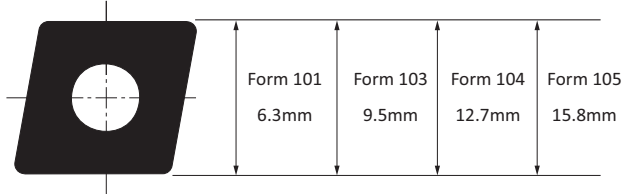
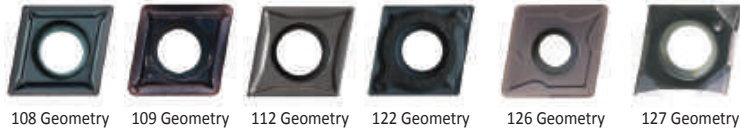
Reference Key

Symbol	Insert Type
▽▽▽	Finishing - Main Application

A
B
C
D
E
F
G
H
I
J
K
L
M
N
INDEX

Insert Forms 101, 103, 104, 105

Cermet | Carbide



						Cermet						Carbide										
						Uncoated			Coated			Uncoated			Coated							
Material	ISO	Symbol				WHT10	WHT12	WHT16	WHT32	WTC15	WTC121	WHW01	WHW16	WHC05	WHC18	WHC19	WHC79	WHC98	WHC111	WHC114	WHC136	WHC164
Steel	P	▼▼▼						▼									▼▼▼			▼▼▼		
Stainless Steel	M																▼▼▼			▼▼▼		
Cast Iron	K	▼▼▼						▼▼▼				▼▼▼					▼▼▼			▼▼▼		
Non-Ferrous Materials	N	▼▼▼						▼▼▼				▼▼▼		▼▼▼								▼▼▼
Titanium	S											▼▼▼										▼▼▼
Hard Materials	H																					
Geometry	Radius		ISO Description	Description	Part No.	WHT10	WHT12	WHT16	WHT32	WTC15	WTC121	WHW01	WHW16	WHC05	WHC18	WHC19	WHC79	WHC98	WHC111	WHC114	WHC136	WHC164
108	0.008	0.20	CCMT060202	F10102MN108	297833													●				
108	0.016	0.40	CCMT060204	F10104MN108	297537													●				
108	0.016	0.40	CCMT09T304	F10304MN108	297891													●				
108	0.031	0.80	CCMT09T308	F10308MN108	397118													●				
108	0.016	0.40	CCMT120404	F10404MN108	297725													●				
108	0.031	0.80	CCMT120408	F10408MN108	297724													●				
109	0.008	0.20	CCMT060202	F10102MN109	397352																	●
109	0.016	0.40	CCMT060204	F10104MN109	397765																	●
109	0.016	0.40	CCMT09T304	F10304MN109	397354																	●
109	0.031	0.80	CCMT09T308	F10308MN109	397355																	●
109	0.016	0.40	CCMT120404	F10404MN109	397356																	●
109	0.031	0.80	CCMT120408	F10408MN109	397357																	●
112	0.008	0.20	CCGT060202	F10102GN112	297485				●													
112	0.016	0.40	CCMT060204	F10104MN112	297434				●													
112	0.008	0.20	CCGT09T302	F10302GN112	297534				●													
112	0.016	0.40	CCMT09T304	F10304MN112	297387				●													
122	0.008	0.20	CCMT060202	F10102MN122	097899	●																
122	0.016	0.40	CCMT060204	F10104MN122	097926	●																
122	0.008	0.20	CCMT09T302	F10302MN122	097862	●																
122	0.016	0.40	CCMT09T304	F10304MN122	097957	●																
126	0.031	0.80	CCMT160508	F10508MN126	297557																	●
126	0.047	1.20	CCMT160512	F10512MN126	297558																	●
127	0.008	0.20	CCGT060202	F10102GN127	097529								●		●							
127	0.016	0.40	CCGT060204	F10104GN127	097445								●		●							
127	0.008	0.20	CCGT09T302	F10302GN127	297550								●		●							
127	0.016	0.40	CCGT09T304	F10304GN127	097497								●		●							
127	0.016	0.40	CCGT120404	F10404GN127	097496								●		●							

Reference Key

Symbol	Machining Conditions
●	Good - Main Application
●	Average - Main Application

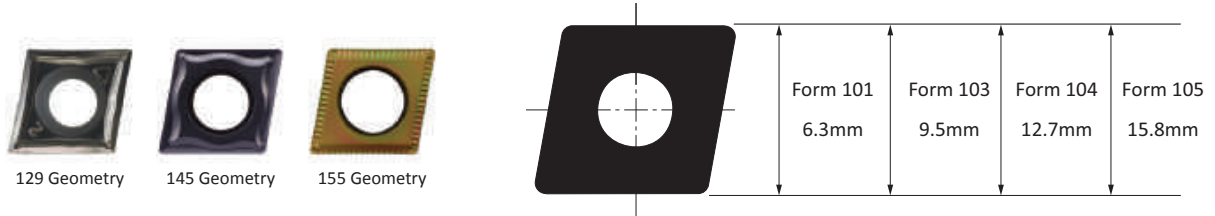
Reference Key

Symbol	Insert Type
▼	Roughing - Main Application
▽	Roughing - Extended Application
▼▼▼	Finishing - Main Application
▽▽▽	Finishing - Extended Application

Insert Form	Countersunk Screw		Torque Driver		Service Key		Technical Data	
	Part No.	Size	Part No.	Part No.	Torque	Key Size		
101	115676-1	M2.5x5	415514	115590	1.2 Nm	T8		
103	115672-1 (ϕ37mm)	M3.5x7.5	415510	115664	3.0 Nm	T15		
103	115673-1 (>math>\phi</math>36mm)	M3.5x9	415510	115664	3.0 Nm	T15		
104	215149-1	M4.5x11.5	415543	215150	5.0 Nm	T20		
105	215149-1	M4.5x11.5	415543	215150	5.0 Nm	T20		

Insert Forms 101, 103, 104, 105

Cermet | Carbide



						Cermet						Carbide										
						Uncoated			Coated			Uncoated			Coated							
Material	ISO	Part No.				WHT10	WHT12	WHT16	WHT32	WTC15	WTC121	WHW01	WHW16	WHC05	WHC18	WHC19	WHC79	WHC98	WHC111	WHC114	WHC136	WHC164
Steel	P								▼▼▼				▽					▼▼▼				
Stainless Steel	M								▽▽▽				▽▽▽					▼▼▼				
Cast Iron	K								▽▽▽			▽	▼▼▼					▼▼▼				
Non-Ferrous Materials	N											▼▼▼		▼▼▼								
Titanium	S											▽▽▽						▼▼▼				
Hard Materials	H																	▼▼▼				
Geometry	Radius	ISO Description	Description	Part No.																		
	in	mm																				
129	0.002	0.05	CCGT0602005	F101005GN129	397738							●	●									
129	0.004	0.10	CCGT060201	F10101GN129	397737							●	●									
129	0.008	0.20	CCGT060202	F10102GN129	297545							●	●	●								
129	0.016	0.40	CCGT060204	F10104GN129	297546							●	●	●								
129	0.008	0.20	CCGT09T302	F10302GN129	297547							●	●	●								
129	0.016	0.40	CCGT09T304	F10304GN129	297548							●	●	●								
145	0.016	0.40	CCGT060204	F10104GN145	297980														●			
145	0.031	0.80	CCGT060208	F10108GN145	397742														●			
145	0.016	0.40	CCGT09T304	F10304GN145	297994														●			
145	0.031	0.80	CCGT09T308	F10308GN145	297995														●			
155	0.008	0.20	CCMT060202	F10102MN155	397662							●										
155	0.016	0.40	CCMT060204	F10104MN155	397739							●										
155	0.016	0.40	CCMT09T304	F10304MN155	397740							●										

Insert Form	Countersunk Screw		Torque Driver	Service Key	Technical Data	
	Part No.	Size			Torque	Key Size
101	115676-1	M2.5x5	415514	115590	1.2 Nm	T8
103	115672-1($\phi 37\text{mm}$)	M3.5x7.5	415510	115664	3.0 Nm	T15
103	115673-1(>math>\phi 36\text{mm}</math>)	M3.5x9	415510	115664	3.0 Nm	T15
104	215149-1	M4.5x11.5	415543	215150	5.0 Nm	T20
105	215149-1	M4.5x11.5	415543	215150	5.0 Nm	T20

Reference Key

Symbol	Machining Conditions
●	Good - Main Application
◐	Average - Main Application

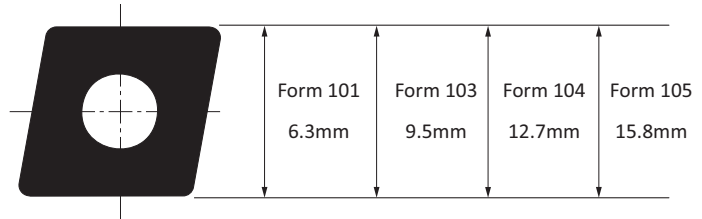
Reference Key

Symbol	Insert Type
▼	Roughing - Main Application
▽	Roughing - Extended Application
▼▼▼	Finishing - Main Application
▽▽▽	Finishing - Extended Application

A
B
C
D
E
F
G
H
I
J
K
L
M
N
INDEX

Insert Forms 101, 103, 104, 105

Carbide



						Carbide										
						Uncoated					Coated					
Material	Grade					WHW01	WHW16	WHC05	WHC18	WHC19	WHC79	WHC98	WHC111	WHC114	WHC136	WHC164
Steel	P							▽▽▽		▽▽▽	▽▽▽		▽▽▽		▽▽▽	
Stainless Steel	M							▽▽▽		▽▽▽	▽▽▽		▽▽▽			
Cast Iron	K							▽▽▽		▽▽▽	▽▽▽		▽▽▽		▽▽▽	
Non-Ferrous Materials	N															
Titanium	S									▽▽▽			▽▽▽			
Hard Materials	H												▽▽▽		▽▽▽	
Geometry	Radius		ISO Code	Description	Part No.	WHW01	WHW16	WHC05	WHC18	WHC19	WHC79	WHC98	WHC111	WHC114	WHC136	WHC164
158	0.008	0.20	CCMT060202	F10102MN158	297248						●		●			
158	0.016	0.40	CCMT060204	F10104MN158	297377						●		●			
158	0.016	0.40	CCMT09T304	F10304MN158	297239						●		●			
158	0.031	0.80	CCMT09T308	F10308MN158	297240						●		●			
158	0.016	0.40	CCMT120404	F10404MN158	297242						●		●			
158	0.031	0.80	CCMT120408	F10408MN158	297241						●		●			
158	0.031	0.80	CCMT160508	F10508MN158	297559			●			●		●			
158	0.047	1.20	CCMT160512	F10512MN158	297560						●		●			
174W	0.016	0.40	CCMT060204	F10104MN174W	397766					⚙						●
174W	0.016	0.40	CCMT09T304	F10304MN174W	397767					⚙						●
174W	0.031	0.80	CCMT09T308	F10308MN174W	397768					⚙						●
192	0.008	0.20	CCMT060202	F10102MN192	297531					⚙						●
192	0.016	0.40	CCMT060204	F10104MN192	297658					⚙						●
192	0.031	0.80	CCMT060208	F10108MN192	297588					⚙						●
192	0.008	0.20	CCMT09T302	F10302MN192	297958					⚙						●
192	0.016	0.40	CCMT09T304	F10304MN192	297653					⚙						●
192	0.031	0.80	CCMT09T308	F10308MN192	397614					⚙						●
192	0.016	0.40	CCMT120404	F10404MN192	397666					⚙						●
192	0.031	0.80	CCMT120408	F10408MN192	297878					⚙						●
192	0.047	1.20	CCMT120412	F10412MN192	397632					⚙						●

Reference Key

Symbol	Machining Conditions
●	Good - Main Application
●	Average - Main Application
⚙	Difficult - Main Application

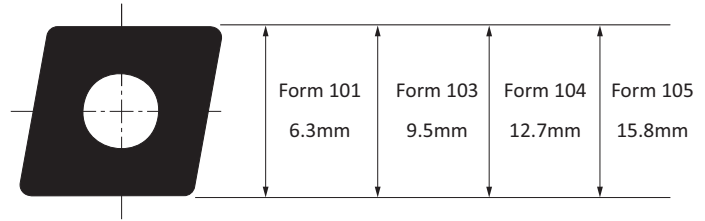
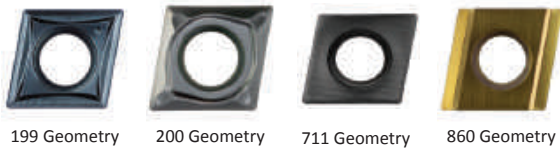
Reference Key

Symbol	Insert Type
▽	Roughing - Main Application
▽	Roughing - Extended Application
▽▽▽	Finishing - Main Application
▽▽▽	Finishing - Extended Application

Insert Form	Countersunk Screw		Torque Driver	Service Key	Technical Data	
	Part No.	Size			Torque	Key Size
101	115676-1	M2.5x5	415514	115590	1.2 Nm	T8
103	115672-1(ϕ37mm)	M3.5x7.5	415510	115664	3.0 Nm	T15
103	115673-1(>math>\phi</math>36mm)	M3.5x9	415510	115664	3.0 Nm	T15
104	215149-1	M4.5x11.5	415543	215150	5.0 Nm	T20
105	215149-1	M4.5x11.5	415543	215150	5.0 Nm	T20

Insert Forms 101, 103, 104, 105

Cermet | Carbide



						Cermet						Carbide											
						Uncoated			Coated			Uncoated			Coated								
Material	ISO Code	Part No.				WHT10	WHT12	WHT16	WHT32	WTC15	WTC121	WHW01	WHW16	WHC05	WHC18	WHC19	WHC77	WHC79	WHC98	WHC111	WHC114	WHC136	WHC164
Steel	P									▼▼▼			▼▼▼			▼▼▼			▼▼▼	▼▼▼	▼▼▼	▼▼▼	▼▼▼
Stainless Steel	M									▼▼▼			▼▼▼			▼▼▼			▼▼▼	▼▼▼	▼▼▼	▼▼▼	▼▼▼
Cast Iron	K									▼			▼			▼			▼	▼	▼	▼	▼
Non-Ferrous Materials	N									▼▼▼													
Titanium	S																			▼▼▼	▼▼▼	▼▼▼	▼▼▼
Hard Materials	H															▼▼▼			▼▼▼	▼			
Geometry	Radius		ISO Code	Description	Part No.	WHT10	WHT12	WHT16	WHT32	WTC15	WTC121	WHW01	WHW16	WHC05	WHC18	WHC19	WHC77	WHC79	WHC98	WHC111	WHC114	WHC136	WHC164
199	0.008	0.20	CCMT060202	F10102MN199	397164																		
199	0.016	0.40	CCMT060204	F10104MN199	397165																●	●	
199	0.008	0.20	CCMT09T302	F10302MN199	397702																●	●	
199	0.016	0.40	CCMT09T304	F10304MN199	397166																●	●	
199	0.031	0.80	CCMT09T308	F10308MN199	397167																●	●	
199	0.016	0.40	CCMT120404	F10404MN199	397191																●	●	
199	0.031	0.80	CCMT120408	F10408MN199	397168																●	●	
200	0.008	0.20	CCGT060202	F10102GN200	397585															●			
200	0.016	0.40	CCGT060204	F10104GN200	397586															●			
200	0.008	0.20	CCGT09T302	F10302GN200	397587															●			
200	0.016	0.40	CCGT09T304	F10304GN200	397588															●			
200	0.016	0.40	CCGT120404	F10404GN200	397589															●			
711	0.016	0.40	CCMT060204	F10104MN711	097637																		
711	0.016	0.40	CCMT09T304	F10304MN711	097629												●						
711	0.031	0.80	CCMT09T308	F10308MN711	297910												●						
711	0.031	0.80	CCMT120408	F10408MN711	297911												●						
860	0.004	0.10	CCGT060201	F10101GL860	097324						●	●	●	●									●
860	0.008	0.20	CCGT060202	F10102GL860	097241						●	●	●	●									●
860	0.016	0.40	CCGT060204	F10104GL860	097242						●	●	●	●									●
860	0.008	0.20	CCGT09T302	F10302GL860	097245						●	●	●	●									●
860	0.016	0.40	CCGT09T304	F10304GL860	097244						●	●	●	●									●
860	0.016	0.40	CCGT120404	F10404GL860	097738						●	●	●	●									●
860	0.031	0.80	CCGT120408	F10408GL860	097247						●	●	●	●									●
860	0.031	0.80	CCMT160508	F10508ML860	097249						●	●	●	●									●

Reference Key

Symbol	Machining Conditions
●	Good - Main Application
●	Average - Main Application

Reference Key

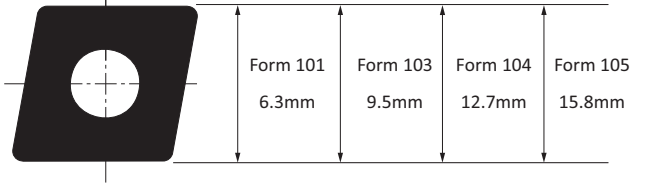
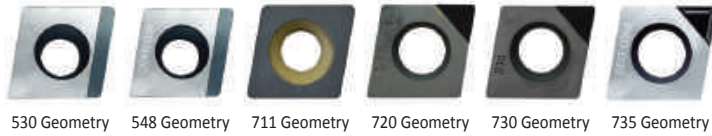
Symbol	Insert Type
▼	Roughing - Main Application
▽	Roughing - Extended Application
▼▼▼	Finishing - Main Application
▽▽▽	Finishing - Extended Application

Insert Form	Countersunk Screw		Torque Driver		Service Key		Technical Data	
	Part No.	ISO Code	Part No.	Part No.	Torque	Key Size	Torque	Key Size
101	115676-1	M2.5x5	415514	115590	1.2 Nm	T8		
103	115672-1(ϕ37mm)	M3.5x7.5	415510	115664	3.0 Nm	T15		
103	115673-1(>math>\phi</math>36mm)	M3.5x9	415510	115664	3.0 Nm	T15		
104	215149-1	M4.5x11.5	415543	215150	5.0 Nm	T20		
105	215149-1	M4.5x11.5	415543	215150	5.0 Nm	T20		

A
B
C
D
E
F
G
H
I
J
K
L
M
N
INDEX

Insert Forms 101, 103, 104

Ceramic | CBN | PCD



		Ceramic		CBN		PCD						
		Uncoated	Coated	Uncoated	Coated							
Steel	P											
Stainless Steel	M											
Cast Iron	K	▼		▼▼▼								
Non-Ferrous Materials	N					▼▼▼▼▼						
Titanium	S											
Hard Materials	H											
Geometry	Radius		ISO Code	Description	Part No.	WCN06	WBN150	WBN200	WBN300	WBN450	PKDD30	PKDD50
	in	mm										
530	0.016	0.40	CCGW060204	F10104GL530	397207						●	
530	0.016	0.40	CCGW060204	F10104GR530	397242						●	
530	0.016	0.40	CCGW09T304	F10304GL530	397249						●	
530	0.016	0.40	CCGW09T304	F10304GR530	397250						●	
548	0.016	0.40	CCGW060204	F10104GL548	397245					●		
548	0.016	0.40	CCGW060204	F10104GR548	397246					●		
548	0.016	0.40	CCGW09T304	F10304GL548	397604					●		
548	0.016	0.40	CCGW09T304	F10304GR548	397605					●		
711	0.016	0.40	CCGW09T304	F10304GN711	297561	⚙						
711	0.031	0.80	CCGW09T308	F10308GN711	297192	⚙						
711	0.031	0.80	CCGW120408	F10408GN711	297249	⚙						
711	0.047	1.20	CCGW120412	F10412GN711	297234	⚙						
720	0.008	0.20	CCGT060202	F10102GN720	297501						●	
720	0.016	0.40	CCGT060204	F10104GN720	297502						●	
720	0.008	0.20	CCGT09T302	F10302GN720	297578						●	
720	0.016	0.40	CCGT09T304	F10304GN720	297483						●	
730	0.008	0.20	CCGW060202	F10102GN730	097462						●	●
730	0.016	0.40	CCGW060204	F10104GN730	297164						●	●
730	0.031	0.80	CCGW060208	F10108GN730	297165						●	●
730	0.008	0.20	CCGW09T302	F10302GN730	397251						●	●
730	0.016	0.40	CCGW09T304	F10304GN730	297533						●	●
730	0.016	0.40	CCGW120404	F10404GN730	397257						●	●
730	0.031	0.80	CCGW120408	F10408GN730	297871						●	●
735	0.008	0.20	CCGT060202	F10102GN735	297872						●	
735	0.016	0.40	CCGT060204	F10104GN735	397244						●	
735	0.008	0.20	CCGT09T302	F10302GN735	397252						●	
735	0.016	0.40	CCGT09T304	F10304GN735	297870						●	

Reference Key

Symbol	Machining Conditions
●	Good - Main Application
◐	Average - Main Application
⚙	Difficult - Main Application

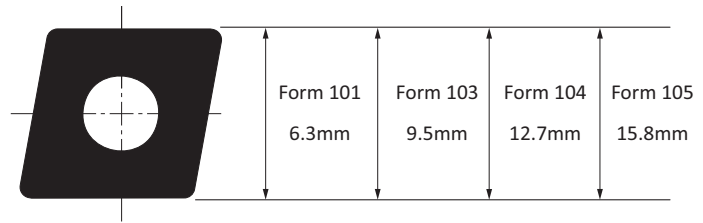
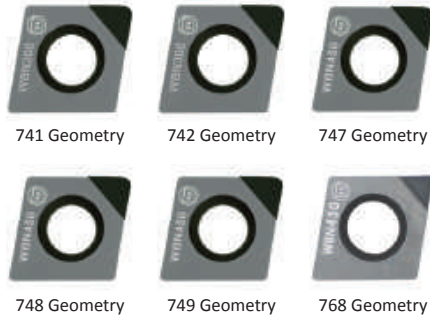
Reference Key

Symbol	Insert Type
▼	Roughing - Main Application
▽	Roughing - Extended Application
▼▼▼	Finishing - Main Application
▽▽▽	Finishing - Extended Application

Insert Form	Countersunk Screw		Torque Driver	Service Key	Technical Data	
					Torque	Key Size
101	115676-1	M2.5x5	415514	115590	1.2 Nm	T8
103	115672-1 (<∅37mm)	M3.5x7.5	415510	115664	3.0 Nm	T15
103	115673-1 (>∅36mm)	M3.5x9	415510	115664	3.0 Nm	T15
104	215149-1	M4.5x11.5	415543	215150	5.0 Nm	T20

Insert Forms 101, 103, 104

CBN



CBN						Uncoated				Coated	
Steel											
Stainless Steel											
Cast Iron						▽▽▽		▽▽▽	▽▽▽		
Non-Ferrous Materials											
Titanium											
Hard Materials						▽▽▽	▽▽▽	▽▽▽			
Geometry	Radius		ISO Code	Description	Part No.	WBN150	WBN200	WBN300	WBN450		
	in	mm									
741	0.008	0.20	CCGW060202	F10102GN741	297290						
741	0.016	0.40	CCGW060204	F10104GN741	297291		●				
741	0.016	0.40	CCGW09T304	F10304GN741	297303		●				
742	0.008	0.20	CCGW060202	F10102GN742	297293			●			
742	0.016	0.40	CCGW060204	F10104GN742	297294			●			
742	0.016	0.40	CCGW09T304	F10304GN742	297306			●			
747	0.016	0.40	CCGW120404	F10404GN747	397260	●			●		
748	0.008	0.20	CCGW060202	F10102GN748	297787				●		
748	0.016	0.40	CCGW060204	F10104GN748	297788				●		
748	0.008	0.20	CCGW09T302	F10302GN748	297790				●		
748	0.016	0.40	CCGW09T304	F10304GN748	297419				●		
749	0.031	0.80	CCGW120408	F10408GN749	397261	●			●		
768	0.008	0.20	CCGT060202	F10102GN768	297486				●		
768	0.016	0.40	CCGT060204	F10104GN768	297659				●		
768	0.008	0.20	CCGT09T302	F10302GN768	397439				●		
768	0.016	0.40	CCGT09T304	F10304GN768	297660				●		

Insert Form	Countersunk Screw		Torque Driver		Service Key		Technical Data	
							Torque	Key Size
101	115676-1	M2.5x5	415514	115590	1.2 Nm	T8		
103	115672-1($\phi 37\text{mm}$)	M3.5x7.5	415510	115664	3.0 Nm	T15		
103	115673-1(>math>\phi 36\text{mm}</math>)	M3.5x9	415510	115664	3.0 Nm	T15		
104	215149-1	M4.5x11.5	415543	215150	5.0 Nm	T20		

Reference Key

Symbol	Machining Conditions
●	Good - Main Application
●	Average - Main Application

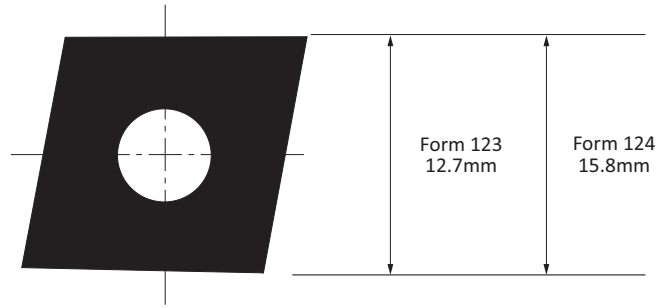
Reference Key

Symbol	Insert Type
▽	Roughing - Main Application
▽	Roughing - Extended Application
▽▽▽	Finishing - Main Application
▽▽▽	Finishing - Extended Application

A
B
C
D
E
F
G
H
I
J
K
L
M
N
INDEX

Insert Forms 123, 124

Carbide



Carbide																		
						Uncoated							Coated					
Material	ISO Code					WHW01	WHW16	WHC05	WHC18	WHC19	WHC79	WHC98	WHC111	WHC114	WHC136	WHC164		
Steel	P									▽▽▽			▽▽▽		▽▽▽	▽▽▽		
Stainless Steel	M									▽▽▽			▽▽▽		▽▽▽			
Cast Iron	K									▽▽▽			▽▽▽		▽▽▽	▽▽▽		
Non-Ferrous Materials	N																	
Titanium	S									▽▽▽			▽▽▽		▽▽▽			
Hard Materials	H											▽▽▽				▽▽▽		
Geometry	Radius		ISO Code	Description	Part No.	WHW01	WHW16	WHC05	WHC18	WHC19	WHC79	WHC98	WHC111	WHC114	WHC136	WHC164		
	in	mm																
117	0.031	0.80	CNMG120408	F12308MN117	397683					⚙			●			●		
117	0.047	1.20	CNMG120412	F12312MN117	397777					⚙			●			●		
117	0.031	0.80	CNMG160608	F12408MN117	397608					⚙						●		
117	0.047	1.20	CNMG160612	F12412MN117	397778					⚙			●			●		
158	0.016	0.40	CNMG120404	F12304MN158	397799										●			
158	0.031	0.80	CNMG120408	F12308MN158	397800										●			
158	0.047	1.20	CNMG120412	F12312MN158	397801										●			
158	0.031	0.80	CNMG160608	F12408MN158	397802										●			
158	0.047	1.20	CNMG160612	F12412MN158	397803										●			
161	0.016	0.40	CNMG120404	F12304MN161	397758					⚙			●			●		
161	0.031	0.80	CNMG120408	F12308MN161	397759					⚙			●			●		
167	0.016	0.40	CNMG120404	F12304MN167	397756					⚙			●			●		
167	0.031	0.80	CNMG120408	F12308MN167	397757					⚙			●			●		

Reference Key

Symbol	Machining Conditions
●	Good - Main Application
⊙	Average - Main Application
⚙	Difficult - Main Application

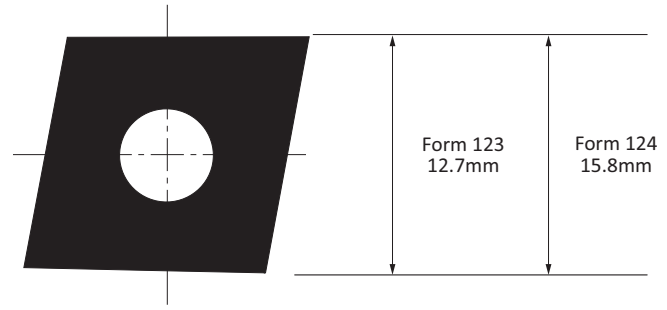
Reference Key

Symbol	Insert Type
▽	Roughing - Main Application
▽	Roughing - Extended Application
▽▽▽	Finishing - Extended Application

Insert Form	Countersunk Screw		Torque Driver	Service Key	Technical Data	
	Torque	Key Size				
123	315463-1	M8x1.0	415578	415578	0.6 Nm	s3 Type A
124	215566-1	M8x1.0	415578	415578	0.6 Nm	s3 Type A

Insert Form 123

Ceramic | CBN | PCD



						Ceramic		CBN				PCD				
						Uncoated		Coated		Uncoated		Coated				
Steel						P										
Stainless Steel						M										
Cast Iron						K		▽▽▽		▽▽▽		▽▽▽				
Non-Ferrous Materials						N						▽▽▽		▽		
Titanium						S										
Hard Materials						H				▽▽▽						
Geometry	Radius		ISO Code	Description	Part No.	WCN06			WBN150	WBN200	WBN300	WBN450			PKDD30	PKDD50
	in	mm														
711	0.031	0.80	CNGA120408	F12308GN711	397842	⚙️										
711	0.047	1.20	CNGA120412	F12312GN711	397843	⚙️										
730	0.031	0.80	CNGA120408	F12308GN730	397849										⚙️	
749	0.031	0.80	CNGA120408	F12308GN749	397262				⚙️			⚙️				

Insert Form	Countersunk Screw		Torque Driver	Service Key	Technical Data	
					Torque	Key Size
123	315463-1	M8x1.0	415578	415578	0.6 Nm	s3 Type A

Reference Key

Symbol	Machining Conditions
⚙️	Average - Main Application
⚙️	Difficult - Main Application

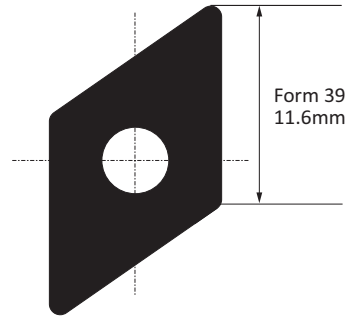
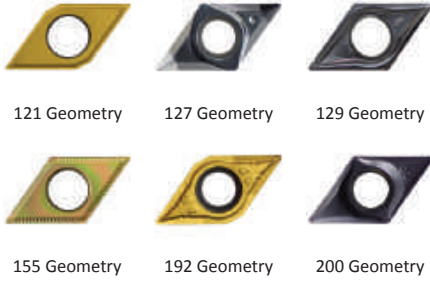
Reference Key

Symbol	Insert Type
▽	Roughing - Main Application
▽	Roughing - Extended Application
▽▽▽	Finishing - Main Application
▽▽▽	Finishing - Extended Application

A
B
C
D
E
F
G
H
I
J
K
L
M
N
INDEX

Insert Form 39

Cermet | Carbide



						Cermet						Carbide							
						Uncoated			Coated			Uncoated			Coated				
Material	ISO Code	Part No.	WHT10	WHT12	WHT16	WHT32	WTC15	WTC121	WHW01	WHW16	WHC05	WHC18	WHC19	WHC79	WHC98	WHC111	WHC114	WHC136	WHC164
Steel	P						▼▼▼				▼▼▼	▼▼▼				▼▼▼			▼▼▼
Stainless Steel	M						▽▽▽				▽▽▽	▽▽▽				▽▽▽			▽▽▽
Cast Iron	K						▽▽▽			▽▽▽	▼▼▼	▽▽▽				▼▼▼			▼▼▼
Non-Ferrous Materials	N									▼▼▼									
Titanium	S									▽▽▽		▼▼▼				▼▼▼			
Hard Materials	H															▼▼▼			▽▽▽

Reference Key

Symbol	Machining Conditions
●	Good - Main Application
◐	Average - Main Application
⚙	Difficult - Main Application

Reference Key

Symbol	Insert Type
▼	Roughing - Main Application
▽	Roughing - Extended Application
▼▼▼	Finishing - Main Application
▽▽▽	Finishing - Extended Application

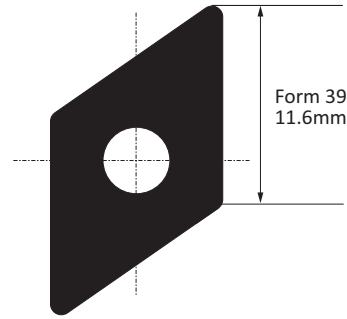
Insert Form	Countersunk Screw		Torque Driver	Service Key	Technical Data	
	Part No.	Size	Part No.	Part No.	Torque	Key Size
39	115673-1	M3.5x9	414510	115664	3.0 Nm	T15

Insert Form 39

CBN | PCD



730 Geometry 735 Geometry 747 Geometry



						CBN					PCD		
						Uncoated			Coated				
Steel		P											
Stainless Steel		M											
Cast Iron		K				▽▽			▽▽				
Non-Ferrous Materials		N										▽▽	
Titanium		S											
Hard Materials		H				▽▽							
Geometry	Radius		ISO Code	Description	Part No.	WBN150	WBN200	WBN300	WBN450	WBN200		PKDD30	PKDD50
730	0.008	0.20	DCGW11T302	F03902GN730	397269							●	
730	0.016	0.40	DCGW11T304	F03904GN730	397270							●	
735	0.008	0.20	DCGT11T302	F03902GN735	397271							●	
735	0.016	0.40	DCGT11T304	F03904GN735	397272							●	
747	0.008	0.20	DCGW11T302	F03902GN747	397273	●			●				
747	0.016	0.40	DCGW11T304	F03904GN747	397274	●			●				

Reference Key

Symbol	Machining Conditions
●	Average - Main Application
⊕	Difficult - Main Application

Reference Key

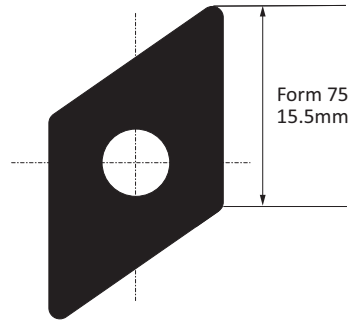
Symbol	Insert Type
▽	Roughing - Main Application
▽	Roughing - Extended Application
▽▽	Finishing - Main Application
▽▽	Finishing - Extended Application

Insert Form	Countersunk Screw		Torque Driver	Service Key	Technical Data	
39	115673-1	M3.5x9	414510	115664	Torque	Key Size
					3.0 Nm	T15

A
B
C
D
E
F
G
H
I
J
K
L
M
N
INDEX

Insert Form 75

Carbide



		Carbide											
		Uncoated				Coated							
Material	ISO Code	WHW01	WHW16	WHC05	WHC18	WHC19	WHC79	WHC98	WHC111	WHC114	WHC136	WHC164	
Steel	P					▽▽▽			▽▽▽		▽▽▽	▽▽▽	
Stainless Steel	M					▽▽▽			▽▽▽		▽▽▽		
Cast Iron	K								▽▽▽		▽▽▽	▽▽▽	
Non-Ferrous Materials	N												
Titanium	S					▽▽▽			▽▽▽		▽▽▽		
Hard Materials	H								▽▽▽			▽▽▽	

Geometry	Radius		ISO Code	Description	Part No.	WHW01	WHW16	WHC05	WHC18	WHC19	WHC79	WHC98	WHC111	WHC114	WHC136	WHC164
	in	mm														
117	0.031	0.80	DNMG150608	F07508MN117	397779					⚙						⚙
158	0.016	0.40	DNMG150604	F07504MN158	397804										⚙	
158	0.031	0.80	DNMG150608	F07508MN158	397805										⚙	
158	0.047	1.20	DNMG150612	F07512MN158	397806										⚙	
161	0.016	0.40	DNMG150604	F07504MN161	397746					⚙			●			⚙
161	0.031	0.80	DNMG150608	F07508MN161	397747					⚙			●			⚙
161	0.047	1.20	DNMG150612	F07512MN161	397748					⚙			●			⚙
167	0.016	0.40	DNMG150604	F07504MN167	397749					⚙			●			⚙
167	0.031	0.80	DNMG150608	F07508MN167	397750					⚙			●			⚙

Reference Key

Symbol	Machining Conditions
●	Good - Main Application
⚙	Average - Main Application
⚙	Difficult - Main Application

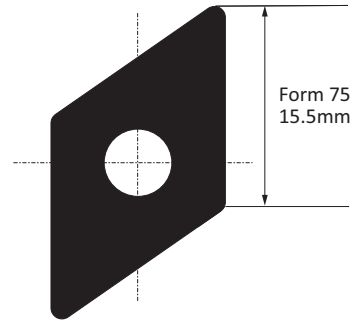
Reference Key

Symbol	Insert Type
▽	Roughing - Main Application
▽	Roughing - Extended Application
▽▽▽	Finishing - Extended Application

Insert Form	Countersunk Screw		Torque Driver	Service Key	Technical Data	
	Part No.	Size			Torque	Key Size
75	315860-1	M8x1.0	-	415578	0.6Nm	s3 Type A

Insert Form 75

Ceramic | CBN | PCD



						Ceramic		CBN					PCD								
						Uncoated		Coated		Uncoated			Coated								
Steel						P															
Stainless Steel						M															
Cast Iron						K		▽▽▽		▽		▽▽▽									
Non-Ferrous Materials						N												▽▽▽			
Titanium						S															
Hard Materials						H															
Geometry	Radius		ISO Code	Description	Part No.	WCN06			WBN150	WBN200	WBN300	WBN450	WBN200			PKDD30	PKDD50				
	in	mm																			
711	0.031	0.80	DNGA150608	F07508GN711	397840	⚙															
711	0.047	1.20	DNGA150612	F07512GN711	397841	⚙															
730	0.031	0.80	DNGA150608	F07508GN730	397276											⚙					
749	0.031	0.80	DNGA150608	F07508GN749	397277				⚙			⚙									

Insert Form	Countersunk Screw		Torque Driver	Service Key	Technical Data	
					Torque	Key Size
75	315860-1	M8x1.0	-	415578	0.6Nm	s3 Type A

Reference Key

Symbol	Machining Conditions
⚙	Average - Main Application
⚙	Difficult - Main Application

Reference Key

Symbol	Insert Type
▽	Roughing - Main Application
▽	Roughing - Extended Application
▽▽▽	Finishing - Main Application
▽▽▽	Finishing - Extended Application

A
B
C
D
E
F
G
H
I
J
K
L
M
N
INDEX

Insert Forms 262, 264

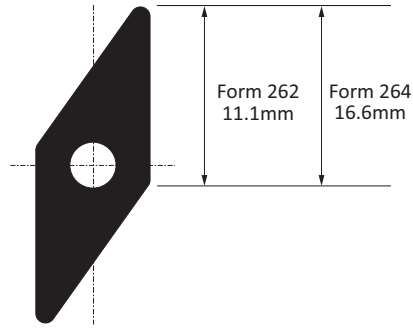
Cermet | Carbide



127 Geometry 129 Geometry 155 Geometry



192 Geometry 200 Geometry



						Cermet					Carbide											
						Uncoated			Coated		Uncoated	Coated										
Material	ISO Code					WHT10	WHT12	WHT16	WHT32	WTC15	WTC121	WHW01	WHW16	WHC05	WHC18	WHC19	WHC79	WHC98	WHC111	WHC114	WHC136	WHC164
Steel	P									▼▼▼			▼		▼			▼			▼	
Stainless Steel	M									▽▽▽			▽		▽			▽			▽	
Cast Iron	K									▽▽▽			▽		▽			▽			▽	
Non-Ferrous Materials	N												▼									
Titanium	S												▽▽		▼							
Hard Materials	H																		▼			▽▽
Geometry	Radius	ISO Code	Description	Part No.																		
	in	mm																				
127	0.008	0.20	VCGT110302	F26202GN127	297146								●									
127	0.016	0.40	VCGT110304	F26204GN127	097954								●									
127	0.008	0.20	VCGT160402	F26402GN127	397813								●									
127	0.016	0.40	VCGT160404	F26404GN127	297900								●									
127	0.031	0.80	VCGT160408	F26408GN127	397179								●									
129	0.008	0.20	VCGT110302	F26202GN129	397811								●	●								
129	0.016	0.40	VCGT110304	F26204GN129	397812								●	●								
129	0.016	0.40	VCGT160404	F26404GN129	397814								●	●								
129	0.031	0.80	VCGT160408	F26408GN129	397815								●	●								
155	0.016	0.40	VCMT160404	F26404MN155	397807					●												
155	0.031	0.80	VCMT160408	F26408MN155	397808					●												
192	0.016	0.40	VCMT110304	F26204MN192	397628										●							●
192	0.031	0.80	VCMT110308	F26208MN192	397627										●							●
192	0.016	0.40	VCMT160404	F26404MN192	397611										●							●
192	0.031	0.80	VCMT160408	F26408MN192	397780										●							●
200	0.016	0.40	VCGT160404	F26404GN200	397782														●			
200	0.031	0.80	VCGT160408	F26408GN200	397781														●			

Reference Key

Symbol	Machining Conditions
●	Good - Main Application
●	Average - Main Application
●	Difficult - Main Application

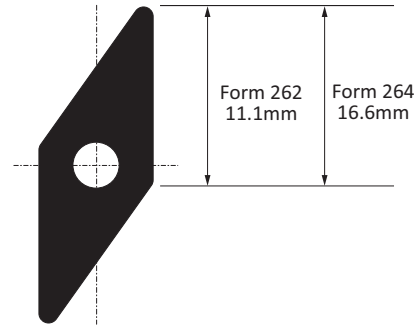
Reference Key

Symbol	Insert Type
▼	Roughing - Main Application
▽	Roughing - Extended Application
▼▼▼	Finishing - Main Application
▽▽▽	Finishing - Extended Application

Insert Form	Countersunk Screw		Torque Driver	Service Key	Technical Data	
					Torque	Key Size
262	215987-1	M2 5x6	415514	115590	1.2 Nm	T8
264	115673-1	M3 5x9	415510	115664	3.0 Nm	T15

Insert Forms 262, 264

CBN | PCD



		CBN								PCD		
		Uncoated				Coated						
Steel	P											
Stainless Steel	M											
Cast Iron	K	▽▽▽			▽▽▽							
Non-Ferrous Materials	N									▽▽▽		
Titanium	S											
Hard Materials	H	▽▽▽										
Geometry	Radius	ISO Code	Description	Part No.	WBN150	WBN200	WBN300	WBN450			PKDD30	PKDD50
730	0.008 0.20	VCGW110302	F26202GN730	397284							●	
730	0.016 0.40	VCGW110304	F26204GN730	397285							●	
730	0.008 0.20	VCGW160402	F26402GN730	397407							●	
730	0.016 0.40	VCGW160404	F26404GN730	397278							●	
730	0.031 0.80	VCGW160408	F26408GN730	397279							●	
735	0.008 0.20	VCGW110302	F26202GN735	397818							●	
735	0.016 0.40	VCGW110304	F26204GN735	397286							●	
735	0.016 0.40	VCGT160404	F26404GN735	397280							●	
735	0.031 0.80	VCGT160408	F26408GN735	397281							●	
747	0.016 0.40	VCGW110304	F26204GN747	397287	●			●				
747	0.031 0.80	VCGW160408	F26408GN747	397283				●				
749	0.031 0.80	VCGW160408	F26408GN749	397282	●							

Reference Key

Symbol	Machining Conditions
●	Average - Main Application
●	Difficult - Main Application

Reference Key

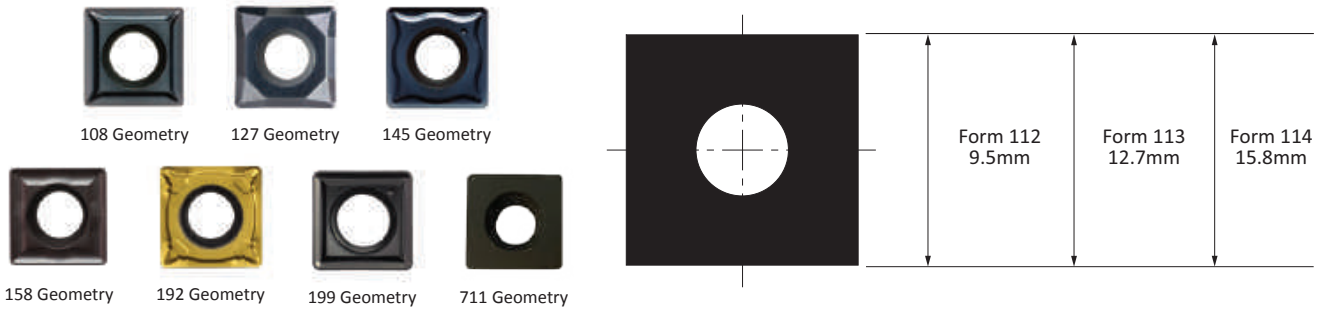
Symbol	Insert Type
▽	Roughing - Extended Application
▽▽▽	Finishing - Main Application
▽▽▽	Finishing - Extended Application

Insert Form	Countersunk Screw		Torque Driver	Service Key	Technical Data	
					Torque	Key Size
262	215987-1	M2 5x6	415514	115590	1.2 Nm	T8
264	115673-1	M3 5x9	415510	115664	3.0 Nm	T15

A
B
C
D
E
F
G
H
I
J
K
L
M
N
INDEX

Insert Forms 112, 113, 114

Carbide



						Carbide											
						Uncoated		Coated									
Material	ISO Code					WHW01	WHW16	WHC05	WHC19	WHC30	WHC77	WHC79	WHC98	WHC111	WHC114	WHC136	WHC164
Steel	P								▽▽▽	▽▽▽	▽▽▽	▽▽▽	▽▽▽	▽▽▽	▽▽▽	▽▽▽	▽▽▽
Stainless Steel	M								▽▽▽	▽▽▽	▽▽▽	▽▽▽	▽▽▽	▽▽▽	▽▽▽	▽▽▽	▽▽▽
Cast Iron	K						▽▽▽		▽▽▽	▽▽▽	▽▽▽	▽▽▽	▽▽▽	▽▽▽	▽▽▽	▽▽▽	▽▽▽
Non-Ferrous Materials	N						▽▽▽										
Titanium	S						▽▽▽		▽▽▽	▽▽▽				▽▽▽	▽▽▽		
Hard Materials	H										▽▽▽		▽▽▽				▽▽▽

Geometry	Radius		ISO Code	Description	Part No.	WHW01	WHW16	WHC05	WHC19	WHC30	WHC77	WHC79	WHC98	WHC111	WHC114	WHC136	WHC164
	in	mm															
108	0.016	0.40	SCMT09T304	F11204MN108	297535								●				
108	0.031	0.80	SCMT120408	F11308MN108	397110								●				
127	0.016	0.40	SCGT09T304	F11204GN127	097539		●										
127	0.016	0.40	SCGT120404	F11304GN127	397590		●										
127	0.031	0.80	SCGT120408	F11308GN127	097566		●										
145	0.031	0.80	SCGT09T308	F11208GN145	297996									●			
145	0.031	0.80	SCGT120408	F11308GN145	297997									●			
158	0.031	0.80	SCMT120408	F11308MN158	297497						●						
158	0.047	1.20	SCMT150512	F11412MN158	097252				●								
192	0.016	0.40	SCMT09T304	F11204MN192	397741				●								●
192	0.031	0.80	SCMT09T308	F11208MN192	397640				●								●
192	0.031	0.80	SCMT120408	F11308MN192	397709				●								●
192	0.047	1.20	SCMT120412	F11312MN192	397710				●								●
199	0.016	0.40	SCMT09T304	F11204MN199	397703										●		
199	0.031	0.80	SCMT09T308	F11208MN199	397704										●		
199	0.031	0.80	SCMT120408	F11308MN199	397705										●		
711	0.016	0.40	SCMT120404	F11304MN711	297212						●						

Reference Key

Symbol	Machining Conditions
●	Good - Main Application
◐	Average - Main Application
⚙	Difficult - Main Application

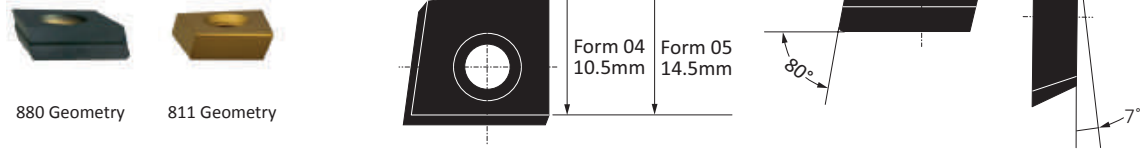
Reference Key

Symbol	Insert Type
▽	Roughing - Main Application
▽	Roughing - Extended Application
▽▽▽	Finishing - Extended Application

Insert Form	Countersunk Screw		Torque Driver		Service Key		Technical Data	
	Torque	Key Size	Torque	Key Size	Torque	Key Size	Torque	Key Size
112	115672-1 ($\phi 37\text{mm}$)	M3.5x7.5	415510	115664	3.0 Nm	T15		
112	115673-1 (>math>\phi 36\text{mm}</math>)	M3.5x9	415510	115664	3.0 Nm	T15		
113	215149-1	M4.5x11.5	415543	215150	5.0 Nm	T20		
114	215149-1	M4.5x11.5	415543	215150	5.0 Nm	T20		

Insert Forms 04, 05

Carbide



						Carbide											
						Uncoated					Coated						
						WHW16	WHC05	WHC18	WHC19	WHC79	WHC98	WHC111	WHC114	WHC136	WHC168	WHC198	
Steel	P														▼	▼	
Stainless Steel	M														▽	▼	
Cast Iron	K														▼	▼	
Non-Ferrous Materials	N															▽	
Titanium	S															▽	
Hard Materials	H																
Geometry	Radius		ISO Code	Description	Part No.	WHW16	WHC05	WHC18	WHC19	WHC79	WHC98	WHC111	WHC114	WHC136	WHC168	WHC198	
	in	mm															
880	0.016	0.40	-	F00404ML880	397595												●
880	0.016	0.40	-	F00504ML880	397593											⚙	●
880	0.031	0.80	-	F00508ML880	397594											⚙	●
811	0.031	0.80	-	F00508ML811	397844											⚙	●

Insert Form	Countersunk Screw		Torque Driver	Service Key	Technical Data	
					Torque	Key Size
04	415977-1	M4x7.9	415510	115664	3.0 Nm	T15
05	415949-1	M4x11	415543	215150	5.0 Nm	T20

Reference Key

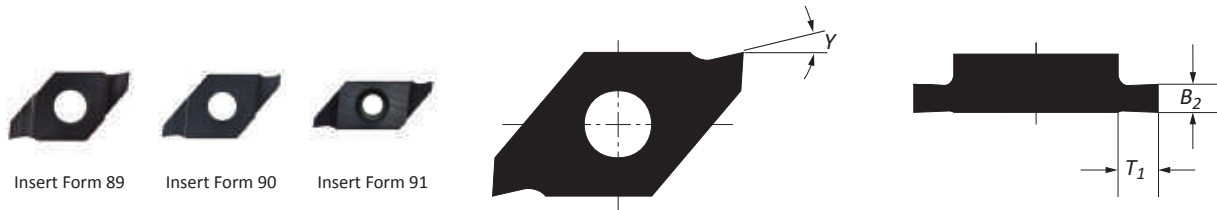
Symbol	Machining Conditions
●	Average - Main Application
⚙	Difficult - Main Application

Reference Key

Symbol	Insert Type
▼	Roughing - Main Application
▽	Roughing - Extended Application

Radial Grooving Insert Forms 89, 90, 91

Carbide



						Carbide												
						Uncoated				Coated								
						WHW01	WHW03	WHW16	WHW20	WHC05	WHC18	WHC19	WHC79	WHC98	WHC111	WHC114	WHC136	WHC164
Steel	P																	▼▼
Stainless Steel	M																	▽▽
Cast Iron	K							▽▽										▼▼
Non-Ferrous Materials	N							▼▼										
Titanium	S							▽▽										▼▼
Hard Materials	H																	
Insert Form	B ₂	Y	T ₁	Circlip Width	Part No.	WHW01	WHW03	WHW16	WHW20	WHC05	WHC18	WHC19	WHC79	WHC98	WHC111	WHC114	WHC136	WHC164
89	0.048	13°	0.051	0.039	097257				●									●
89	0.056	13°	0.051	0.047	097258				●									●
89	0.068	13°	0.059	0.059	097259				●									●
90	0.078	9°	0.094	0.068	097256				●									●
90	0.090	9°	0.094	0.078	097253				●									●
i 90	0.109	9°	0.094	0.098	097254				●									●
90	0.129	9°	0.094	0.118	097255				●									●
91	0.109	9°	0.094	0.098	097260				●									●
91	0.129	9°	0.094	0.118	097261				●									●
91	0.168	9°	0.129	0.157	097262				●									●
91	0.208	9°	0.177	0.196	097294				●									●
iii 89	1.24	13°	1.30	1.00	097257				●									●
89	1.44	13°	1.30	1.20	097258				●									●
89	1.74	13°	1.50	1.50	097259				●									●
90	1.99	9°	2.40	1.75	097256				●									●
90	2.29	9°	2.40	2.00	097253				●									●
90	2.79	9°	2.40	2.50	097254				●									●
90	3.29	9°	2.40	3.00	097255				●									●
91	2.79	9°	2.40	2.50	097260				●									●
91	3.29	9°	2.40	3.00	097261				●									●
91	4.29	9°	3.30	4.00	097262				●									●
91	5.29	9°	4.50	5.00	097294				●									●

Insert Form	Countersunk Screw		Torque Driver	Service Key	Technical Data	
	Part No.	Size			Torque	Key Size
89	115676-1	M2.5x5	415514	115590	1.2 Nm	T8
90	115531-1	M3x7.5	415514	115590	1.2 Nm	T8
91	115802-1	M3x12	415514	115590	1.2 Nm	T8

Reference Key

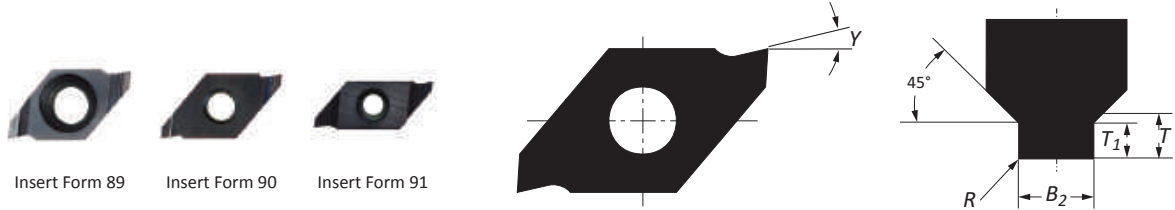
Symbol	Machining Conditions
●	Average - Main Application

Reference Key

Symbol	Insert Type
▼▼	Universal - Main Application
▽▽	Universal - Extended Application

Radial Grooving Insert Forms 89, 90, 91

Carbide



		Carbide																					
		Uncoated						Coated															
		WHW01	WHW03	WHW16	WHW20	WHC05	WHC18	WHC19	WHC79	WHC98	WHC111	WHC114	WHC136	WHC164									
Steel	P												▼▼										
Stainless Steel	M												▽▽										
Cast Iron	K												▼▼										
Non-Ferrous Materials	N																						
Titanium	S												▼▼										
Hard Materials	H																						
Insert Form	Boring Ø	B ₂	Y	R	T ₁	T	Circlip Width	Part No.	WHW01	WHW03	WHW16	WHW20	WHC05	WHC18	WHC19	WHC79	WHC98	WHC111	WHC114	WHC136	WHC164		
i	89	0.944 - 1.023	0.056	13°	0.004	0.021	0.025	0.047	297937														
	89	1.102 - 1.181	0.056	13°	0.004	0.025	0.029	0.047	297938												●		
	89	1.220 - 1.259	0.056	13°	0.004	0.030	0.035	0.047	297939												●		
	89	1.338	0.068	13°	0.004	0.030	0.035	0.059	297940												●		
	89	1.377 - 1.496	0.068	13°	0.004	0.036	0.041	0.059	297941												●		
	90	1.574 - 1.889	0.078	9°	0.006	0.046	0.051	0.068	297942													●	
	90	1.968 - 2.480	0.090	9°	0.006	0.056	0.062	0.078	297943													●	
	91	2.559 - 3.070	0.109	9°	0.008	0.056	0.062	0.098	297944													●	
	91	3.149 - 3.228	0.109	9°	0.008	0.066	0.072	0.098	297945													●	
	91	3.346 - 3.937	0.129	9°	0.008	0.066	0.072	0.118	297946													●	
91	4.015 - 5.708	0.168	9°	0.008	0.076	0.084	0.157	297947													●		
m	89	24.00 - 26.00	1.44	13°	0.10	0.54	0.65	1.20	297937												●		
	89	28.00 - 30.00	1.44	13°	0.10	0.64	0.75	1.20	297938												●		
	89	31.00 - 32.00	1.44	13°	0.10	0.78	0.91	1.20	297939												●		
	89	34.00	1.74	13°	0.10	0.78	0.91	1.50	297940												●		
	89	35.00 - 38.00	1.74	13°	0.10	0.93	1.06	1.50	297941												●		
	90	40.00 - 48.00	1.99	9°	0.15	1.18	1.31	1.75	297942													●	
	90	50.00 - 63.00	2.29	9°	0.15	1.43	1.58	2.00	297943													●	
	91	65.00 - 78.00	2.79	9°	0.20	1.43	1.58	2.50	297944													●	
	91	80.00 - 82.00	2.79	9°	0.20	1.68	1.84	2.50	297945													●	
	91	85.00 - 100.00	3.29	9°	0.20	1.68	1.84	3.00	297946													●	
91	102.00 - 145.00	4.29	9°	0.20	1.94	2.14	4.00	297947													●		

Insert Form	Countersunk Screw	Torque Driver	Service Key	Technical Data	
				Torque	Key Size
89	115676-1 M2.5x5	415514	115590	1.2 Nm	T8
90	115531-1 M3x7.5	415514	115590	1.2 Nm	T8
91	115802-1 M3x12	415514	115590	1.2 Nm	T8

Reference Key

Symbol	Machining Conditions
●	Average - Main Application

Reference Key

Symbol	Insert Type
▼▼	Universal - Main Application
▽▽	Universal - Extended Application

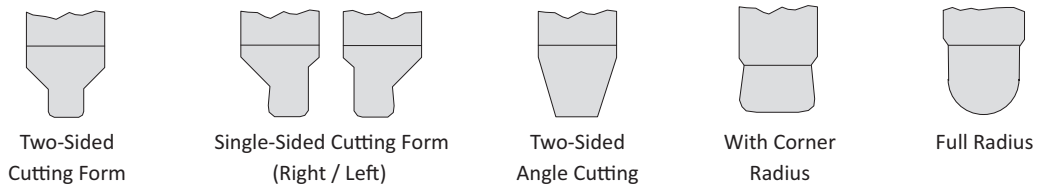
A
B
C
D
E
F
G
H
I
J
K
L
M
N
INDEX

Axial Grooving Insert Blanks Form 304

Carbide



			Carbide														
			Uncoated				Coated										
Steel			P														
Stainless Steel			M														
Cast Iron Non-Ferrous Materials			K			▽											
Non-Ferrous Materials			N			▽											
Titanium			S			▽											
Hard Materials			H														
Geometry	S ₁	Part No.	WHW01	WHW03	WHW16	WHW20	WHC05	WHC18	WHC19	WHC79	WHC98	WHC111	WHC114	WHC136	WHC164		
	0.137	297150				●											
	0.169	297151				●											
	0.208	297152				●											
	0.255	297154				●											
	0.295	297493				●											
	0.137	397850				●											
	0.169	397851				●											
	0.208	397852				●											
	0.255	397853				●											
	0.295	397854				●											
	3.50	297150				●											
	4.30	297151				●											
	5.30	297152				●											
	6.50	297154				●											
	7.50	297493				●											
	3.50	397850				●											
	4.30	397851				●											
	5.30	397852				●											
	6.50	397853				●											
	7.50	397854				●											



Reference Key

Symbol	Machining Conditions
●	Average - Main Application

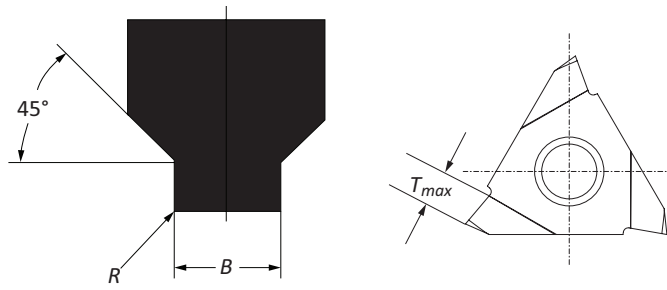
Reference Key

Symbol	Insert Type
▽	Universal - Main Application
▽	Universal - Extended Application

Insert Form	Countersunk Screw		Torque Driver	Service Key	Technical Data	
304	215392-1	M5x12.9	415543	215150	Torque	Key Size
					5.0 Nm	T20

Axial Grooving O-Rings for Single Cutter Tools Insert Form 304

Carbide



		Carbide																			
		Uncoated				Coated															
		P	M	K	N	S	H	WHW01	WHW03	WHW16	WHW20	WHC05	WHC18	WHC19	WHC79	WHC98	WHC111	WHC114	WHC136	WHC164	
Material	Grade	WHW01	WHW03	WHW16	WHW20	WHC05	WHC18	WHC19	WHC79	WHC98	WHC111	WHC114	WHC136	WHC164							
Steel	P																			▼▼	
Stainless Steel	M																			▽▽	
Cast Iron Non-Ferrous Materials	K																			▼▼	
Non-Ferrous Materials	N																				
Titanium	S																			▼▼	
Hard Materials	H																				
Geometry	Boring Range	O-Ring Cross Section	B + 0.05	B_max	T_max	R ± 0.05	Part No.	WHW01	WHW03	WHW16	WHW20	WHC05	WHC18	WHC19	WHC79	WHC98	WHC111	WHC114	WHC136	WHC164	
i	0.787 - 2.125	0.039	0.059	0.059	0.064	0.008	297969														
	0.787 - 2.125	0.059	0.086	0.086	0.092	0.012	297970													●	
	0.787 - 2.125	0.078	0.114	0.114	0.124	0.016	297971													●	
	0.787 - 2.125	0.098	0.137	0.137	0.151	0.020	297972													●	
	0.787 - 2.125	0.118	0.161	0.161	0.175	0.024	297973													●	
	0.787 - 2.125	0.157	0.212	0.212	0.194	0.031	297974													●	
m	0.787 - 2.125	0.196	0.267	0.267	0.194	0.031	297975													●	
	20 - 54	1.00	1.50	1.50	1.65	0.20	297969													●	
	20 - 54	1.50	2.20	2.20	2.35	0.30	297970													●	
	20 - 54	2.00	2.90	2.90	3.15	0.40	297971													●	
	20 - 54	2.50	3.50	3.50	3.85	0.50	297972													●	
	20 - 54	3.00	4.10	4.10	4.45	0.60	297973													●	
20 - 54	4.00	5.40	5.40	4.95	0.80	297974													●		
20 - 54	5.00	6.80	6.80	4.95	0.80	297975													●		

Reference Key

Symbol	Machining Conditions
●	Average - Main Application

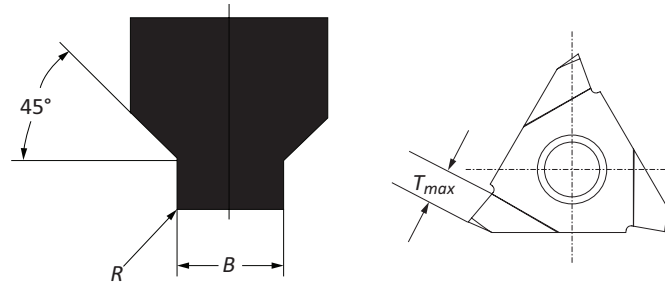
Reference Key

Symbol	Insert Type
▼▼	Universal - Main Application
▽▽	Universal - Extended Application

Insert Form	Countersunk Screw		Torque Driver	Service Key	Technical Data	
					Torque	Key Size
304	215392-1	M5x12.9	415543	215150	5.0 Nm	T20

Axial Grooving O-Rings for Twin Cutter Tools Insert Form 304

Carbide



		Carbide																		
		Uncoated							Coated											
Material	Code	WHW01	WHW03	WHW16	WHW20	WHC05	WHC18	WHC19	WHC79	WHC98	WHC111	WHC114	WHC136	WHC164						
Steel	P												▼▼							
Stainless Steel	M												▽▽							
Cast Iron Non-Ferrous Materials	K												▼▼							
Non-Ferrous Materials	N																			
Titanium	S												▼▼							
Hard Materials	H																			
Geometry	Boring Range	O-Ring Cross Section	B + 0.05	B_max	T_max	R ± 0.05	Part No.	WHW01	WHW03	WHW16	WHW20	WHC05	WHC18	WHC19	WHC79	WHC98	WHC111	WHC114	WHC136	WHC164
	2.086 - 39.37	0.039 - 0.059	0.059	0.098	0.064	0.008	297976													●
	2.086 - 39.37	0.039 - 0.059	0.086	0.145	0.092	0.012	297977													●
	2.086 - 39.37	0.039 - 0.059	0.133	0.224	0.143	0.020	297978													●
	2.086 - 39.37	0.039 - 0.059	0.212	0.358	0.194	0.031	297979													●
	53.00 - 1000.00	1.00 - 1.50	1.50	2.50	1.65	0.20	297976													●
	53.00 - 1000.00	1.50 - 2.40	2.20	3.70	2.35	0.30	297977													●
	53.00 - 1000.00	2.40 - 4.00	3.40	5.70	3.65	0.50	297978													●
	53.00 - 1000.00	4.00 - 5.50	5.40	9.10	4.95	0.80	297979													●

Reference Key

Symbol	Machining Conditions
●	Average - Main Application

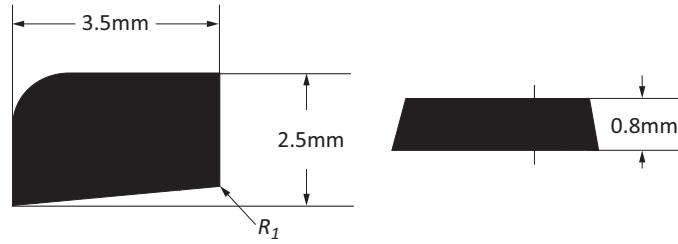
Reference Key



Symbol	Insert Type
▼▼	Universal - Main Application
▽▽	Universal - Extended Application

Insert Form	Countersunk Screw		Torque Driver	Service Key	Technical Data	
	Part No.	Size			Torque	Key Size
304	215392-1	M5x12.9	415543	215150	5.0 Nm	T20

Insert Form 325

Carbide



				Carbide												
				Uncoated						Coated						
Material	Code			WHW01	WHW03	WHW16	WHW20	WHC05	WHC18	WHC19	WHC79	WHC98	WHC111	WHC114	WHC136	WHC164
Geometry	Radius R_1	Description	Part No.													
Steel	P														▼▼	
Stainless Steel	M														▼▼	
Cast Iron Non-Ferrous Materials	K					▼▼									▼▼	
Non-Ferrous Materials	N					▼▼										
Titanium	S														▼▼	
Hard Materials	H															
	860	0.004	F32501CN860	097831				●								●
	860	0.10	F32501CN860	097831				●								●

Insert Form	Countersunk Screw	Clamping Jaw	Torque Driver	Service Key	Technical Data	
					Torque	Key Size
325	315321-1 M1.6x3	315320	-	315322	0.3 Nm	0.5x3

Reference Key

Symbol	Machining Conditions
●	Average - Main Application

Reference Key

Symbol	Insert Type
▼▼	Finishing - Main Application
▽▽	Finishing - Extended Application

A
B
C
D
E
F
G
H
I
J
K
L
M
N
INDEX

Insert Accessories

Countersunk Screws | Torque Drivers

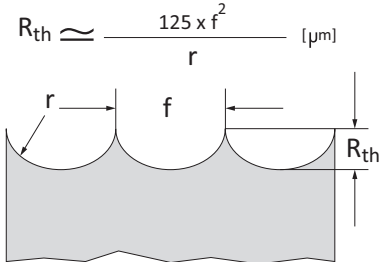

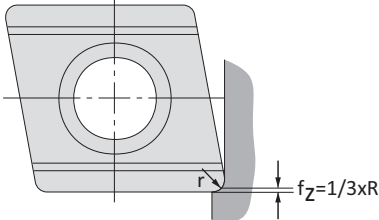
Insert Form	Countersunk Screw		Clamping Jaw	Torque Driver	Service Key	Technical Data	
						Torque	Key Size
04	415977-1	M4x7.9	–	415510	115664	3.0 Nm	T15
05	415949-1	M4x11	–	415543	215150	5.0 Nm	T20
20	115535-1	M2x5	–	415508	115591	0.9 Nm	T7
39	115673-1	M3.5x9	–	414510	115664	3.0 Nm	T15
47	315324-1	M1.8x4	315323	–	115537	0.5 Nm	T6
75	315860-1	M8x1.0	–	–	415578	0.6Nm	s3 Type A
89	115676-1	M2.5x5	–	415514	115590	1.2 Nm	T8
90	115531-1	M3x7.5	–	415514	115590	1.2 Nm	T8
91	115802-1	M3x12	–	415514	115590	1.2 Nm	T8
101	115676-1	M2.5x5	–	415514	115590	1.2 Nm	T8
103	115672-1 (<Ø37mm)	M3.5x7.5	–	415510	115664	3.0 Nm	T15
103	115673-1 (>Ø36mm)	M3.5x9	–	415510	115664	3.0 Nm	T15
104	215149-1	M4.5x11.5	–	415543	215150	5.0 Nm	T20
105	215149-1	M4.5x11.5	–	415543	215150	5.0 Nm	T20
111	115531-1	M3x7.5	–	415514	115590	1.2 Nm	T8
112	115672-1 (<Ø37mm)	M3.5x7.5	–	415510	115664	3.0 Nm	T15
112	115673-1 (>Ø36mm)	M3.5x9	–	415510	115664	3.0 Nm	T15
113	215149-1	M4.5x11.5	–	415543	215150	5.0 Nm	T20
114	215149-1	M4.5x11.5	–	415543	215150	5.0 Nm	T20
123	315463-1	M8x1.0	–	415578	415578	0.6 Nm	s3 Type A
124	215566-1	M8x1.0	–	415578	415578	0.6 Nm	s3 Type A
161	115676-1	M2.5x5	–	415514	115590	1.2 Nm	T8
163	115673-1	M3.5x9	–	415510	115664	3.0 Nm	T15
211	215377-1	M2x4	–	415507	115537	0.6 Nm	T6
262	215987-1	M2 5x6	–	415514	115590	1.2 Nm	T8
264	115673-1	M3 5x9	–	415510	115664	3.0 Nm	T15
304	215392-1	M5x12.9	–	415543	215150	5.0 Nm	T20
325	315321-1	M1.6x3	315320	–	315322	0.3 Nm	0.5x3
394	215915-1	M2.5x7	–	415514	115590	1.1 Nm	T8
395	215985-1	M3x7.5	–	415514	115590	1.2 Nm	T8
396	415320-1	M3.5x11	–	415510	115664	3.0 Nm	T15
397	215149-1	M4.5x11.5	–	415543	215150	5.0 Nm	T20

Technical Information

Surface Finish | General Formulas

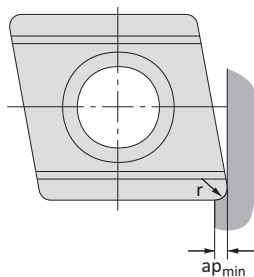
The corner radius of replaceable inserts is very important in finish machining. Large corner radii (0.031" (0.8mm) or higher) allow for high feed rates with good surface quality.

The expected surface quality can be estimated by using the function of corner radius and feed rate formula.

	<ol style="list-style-type: none"> 1. The larger the corner radius and the lighter the feed rate is, the better the surface quality.
	<ol style="list-style-type: none"> 2. If the feed is approximately 1/3 of the corner radius, the better the machining time and surface finish will be in finish machining applications.
	<ol style="list-style-type: none"> 3. A larger corner radius increases radial forces which can negatively affect dimensional accuracy. Large corner radii also require increased depth of cut.



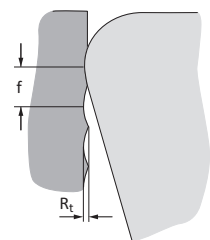
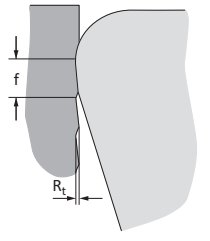
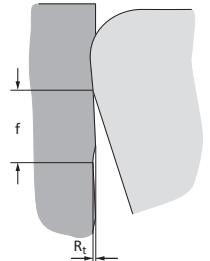
Minimum depth of cut (a_p) should at least match the corner radius. This minimizes the radial forces.

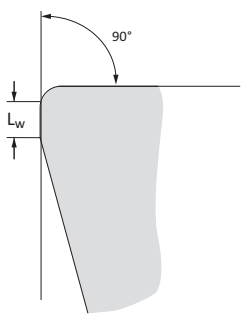


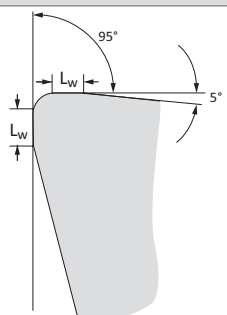
General Formulas		
Cutting Speed	$\frac{V_c = D \times \pi \times n}{1000}$	(m/min)
RPM	$\frac{n = V_c \times 1000}{D \times \pi}$	(min ⁻¹)
Feed Speed	$V_f = f \times n$	(mm/min)
	$D = \text{Machining } \varnothing$	(mm)
	$f = \text{Feed}$	(mm/u)
	$V_c = \text{Cutting Speed}$	(m/min)
	$n = \text{RPM}$	(min ⁻¹)

Technical Information

Wiper Geometries

Replaceable Inserts with Wiper Geometry	
Insert with conventional corner radius with feed (f)	
Insert with wiper geometry radius with same feed (f)	
Insert with wiper geometry with increased feed (f)	

Wiper Geometry for 90° Approach Angle	
<p>Replaceable inserts produce a right-angled step at the bottom of the hole. When used in a Wohlhaupter standard insert holder that has a 90° approach angle, the secondary wiper cutting edge is nearly parallel with the wall of the hole.</p> <p>Wiper geometry for 90° approach angle L_w = length of the wiper secondary cutting edge</p>	

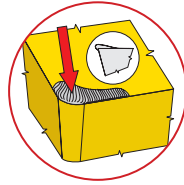
Wiper Geometry for 95° Approach Angle	
<p>Wiper inserts can also be used with 95° insert holders, which are included in the Wohlhaupter standard insert range.</p> <p>Wiper geometry for 95° approach angle (left and right cutting) L_w = length of the secondary wiper cutting edge</p>	

Boring Insert Wear Patterns

Built-up Edge

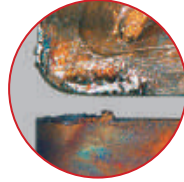
Potential Problem

- Machined material adheres to the cutting edge of insert
- When it breaks, the edge becomes brittle and cracks
- This can negatively affect machined surface



Possible Solution

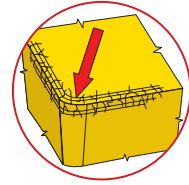
- Increase temperature by increasing speed or feed
- Use an insert with higher lubricity coating
- Choose a freer cutting insert geometry



Comb Cracks

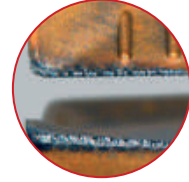
Potential Problem

- Caused by high stress on the cutting edge during interrupted cuts



Possible Solution

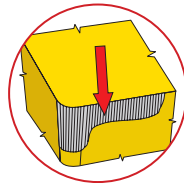
- Switch off coolant or increase coolant flow to obtain an even temperature level
- Reduce cutting speed
- Use tougher insert grade



Flank Wear

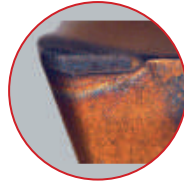
Potential Problem

- Caused by friction between the insert and machined material
- It cannot be fully eliminated, but it can be reduced



Possible Solution

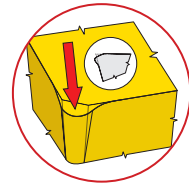
- Use a more wear-resistant grade
- Reduce cutting speed
- Use coolant or increase coolant flow to the cutting edge



Plastic Deformation

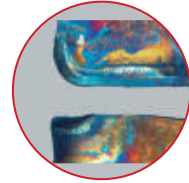
Potential Problem

- Caused by high thermal stress on the cutting edge from excessive feed rate and cutting speed



Possible Solution

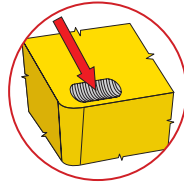
- Use a more wear-resistant grade
- Reduce cutting speed
- Reduce feed rate
- Use coolant or increase coolant flow to the cutting edge



Cratering

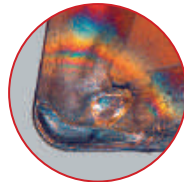
Potential Problem

- Appears when the geometry is too neutral or material is too hard for the substrate



Possible Solution

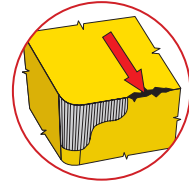
- Use a more wear-resistant grade
- Reduce cutting speed or feed
- Use coolant or increase coolant flow to the cutting edge



Chipping of Cutting Edge (Out of Cut)

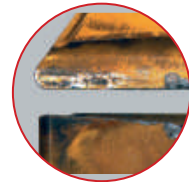
Potential Problem

- Caused by poor chip control
- Can damage the portion of the cutting edge that might not be engaged in the cut



Possible Solution

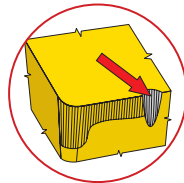
- Change feed rate to gain chip control
- Select a tool with a different approach angle
- Use an insert with a different geometry
- Use a tougher grade of carbide



Notch Wear

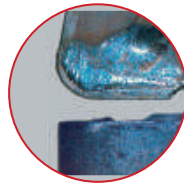
Potential Problem

- Occurs when cutting edge of insert comes in contact with surface of machined material
- Caused by hardening of surface layer of material and burrs
- Often appears on stainless austenitic steels and other high temperature alloy steels



Possible Solution

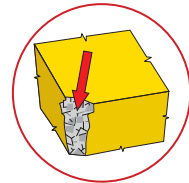
- Use a more wear-resistant grade (Al₂O₃)
- Select a tool with a smaller approach angle
- Vary the radial depth of cut
- Use coolant or increase coolant flow to the cutting edge



Insert Fracture

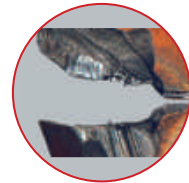
Potential Problem

- Caused by workpiece material, grade, condition, the rigidity of the machine-tool-workpiece, extent of wear, and cutting conditions



Possible Solution

- Use a tougher grade of carbide
- Reduce the feed and depth of cut
- Use an insert with a stronger chip breaker
- Use an insert with a bigger corner radius



SECTION

B10-G

Intermediate Modules

Wohlhaupter® Intermediate Modules

Reducers | Extensions | NOVI^{TECH}®



Increase Tool Stability with Intermediate Modules

- Allow for expanded use of existing components
- Add flexibility to setups
- Reduce need for specials and their associated cost and lead time
- Each component individually balanced

Your safety and the safety of others is very important. This catalog contains important safety messages. Always read and follow all safety precautions.



This triangle is a safety hazard symbol. It alerts you to potential safety hazards that can cause tool failure and serious injury.

When you see this symbol in the catalog, look for a related safety message that may be near this triangle or referred to in the nearby text.

There are safety signal words also used in the catalog. Safety messages follow these words.

WARNING

WARNING (shown above) means that failure to follow the precautions in this message could result in tool failure and serious injury.

NOTICE means that failure to follow the precautions in this message could result in damage to the tool or machine but not result in personal injury.

NOTE and **IMPORTANT** are also used. These are important that you read and follow but are not safety-related.

Visit www.alliedmachine.com for the most up-to-date information and procedures.

Applicable Industries



Aerospace



Agriculture



Automotive



Firearms



General
Machining



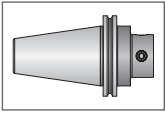
Oil & Gas



Renewable
Energy

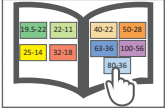
Reference Icons

The following icons will appear throughout the catalog to help you navigate between products.



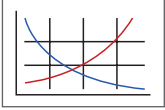
Shanks

A variety of shanks for different machines



MVS Connection Color Guide

Detailed instructions and information regarding the MVS connection(s)



Recommended Cutting Data

Speed and feed recommendations for optimum and safe boring

Intermediate Modules Table of Contents

Introduction

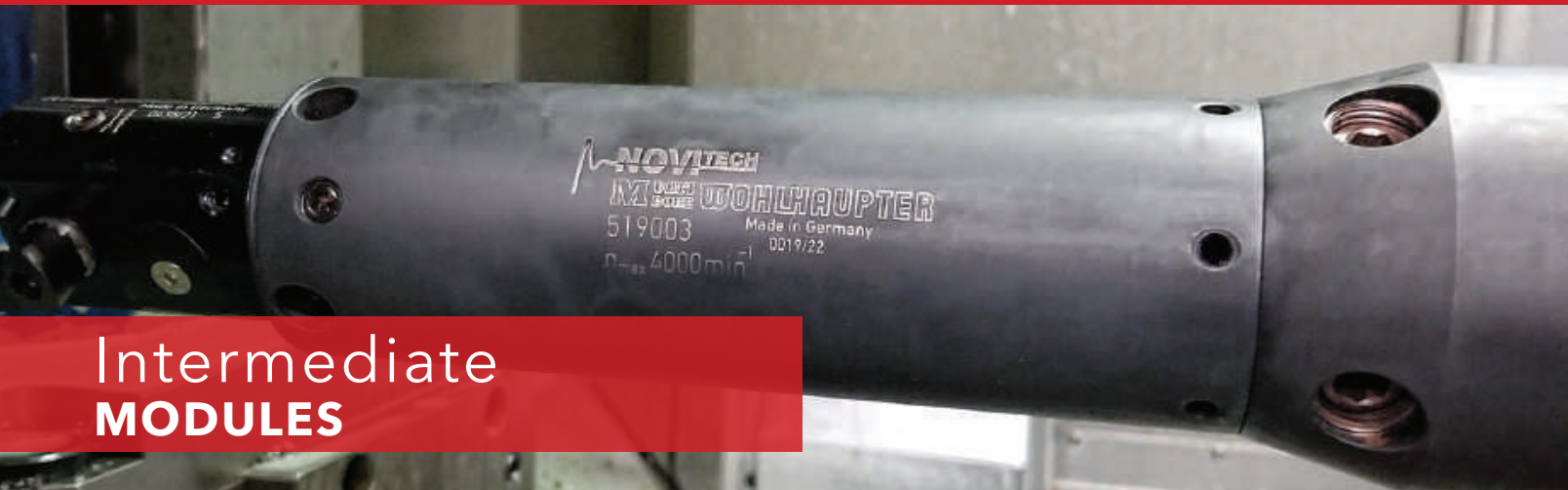
Product Overview 2 - 3

Reducers 4 - 9

Extensions 10 - 12

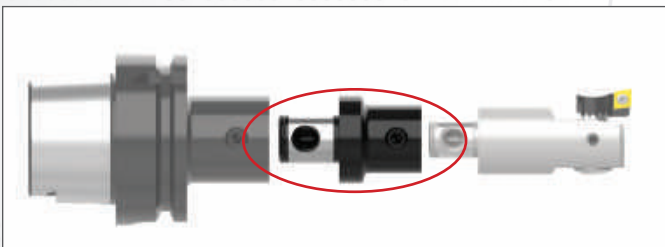
NOVI^{TECH}® Vibration Dampening Modules 13

Intermediate Modules Product Overview



Intermediate MODULES

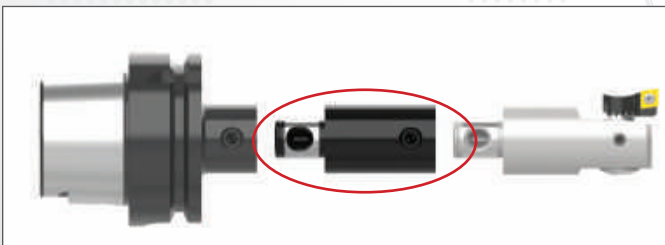
Reducers



Features:

- ▶ Improves rigidity by stepping-down to smaller MVS connection sizes
- ▶ Connects quickly and easily with the MVS connection
- ▶ Accommodates smaller diameter applications

Extensions



Features:

- ▶ Used to increase bore depth
- ▶ Connects quickly and easily with the MVS connection
- ▶ Aluminum components available to reduce stress on the spindle

THE DEEP HOLE



BORING SOLUTION

YOU'VE BEEN LOOKING FOR

OUR SOLUTION

- ▶ Machine up to **10xD**
- ▶ Connect quickly and easily with the **MVS connection**
- ▶ Utilize existing **Wohlhaupter™ components**
- ▶ **Increase** your productivity, surface quality, and process reliability
- ▶ **Increase** your tool and spindle life

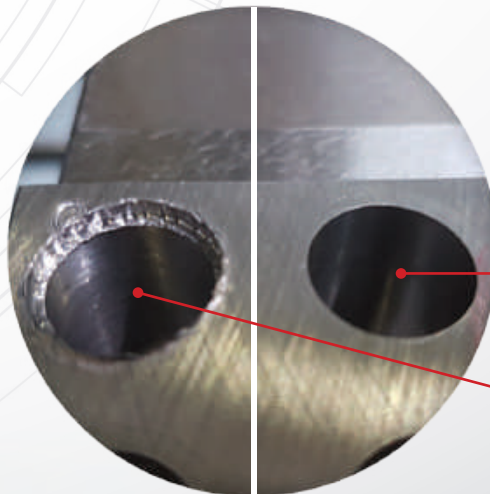
YOUR ADVANTAGE



Damper module with viscoelastic bearing

Absorber mass

THE SURFACE QUALITY TELLS IT ALL



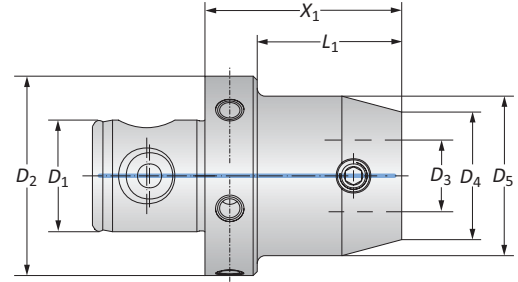
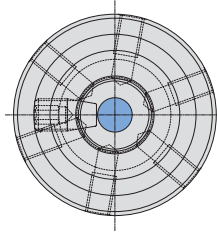
When machining alloy steel to 9xD, the NOVITECH provided reliable machining which achieved high surface quality ($R_a = 32$)

Wohlhaupter NOVITECH with VarioBore precision boring head

Standard tool construction with steel extension

Reducers

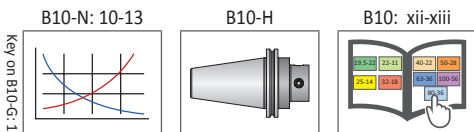
Imperial | Balanced



MVS Connection		Reducer				Weight	Thread Precision	Part No.
D ₂ D ₁	D ₄ D ₃	X ₁	L ₁	D ₅				
25 - 14	19.5 - 11	1.181	0.827	0.768	0.220 (lbs)	-	219034	
25 - 14	22 - 11	1.181	0.827	0.866	0.440 (lbs)	-	219035	
32 - 18	22 - 11	0.472	0.020	0.866	0.220 (lbs)	-	219036	
32 - 18	25 - 14	1.181	0.827	0.984	0.220 (lbs)	-	219037	
40 - 22	22 - 11	0.472	0.020	0.866	0.440 (lbs)	-	219038	
40 - 22	25 - 14	1.181	0.827	0.984	0.440 (lbs)	-	219039	
40 - 22	32 - 18	1.181	-	1.575	1.102 (lbs)	-	219040	
50 - 28	19.5 - 11	2.126	1.614	0.768	0.881 (lbs)	M 6 x 10	219051	
50 - 28	22 - 11	0.551	0.020	0.866	0.661 (lbs)	M 6 x 10	219041	
50 - 28	22 - 11	2.126	1.614	0.866	0.881 (lbs)	M 6 x 10	219052	
50 - 28	25 - 14	0.551	0.020	0.984	0.661 (lbs)	M 6 x 7	119094	
50 - 28	25 - 14	2.323	1.811	0.984	0.881 (lbs)	M 6 x 10	119054	
50 - 28	25 - 14	2.323	1.811	1.260	1.102 (lbs)	M 6 x 10	119055	
50 - 28	25 - 14	4.685	4.173	1.260	2.204 (lbs)	M 6 x 10	119010	
50 - 28	25 - 14	4.685	4.173	1.417	1.322 (lbs)	M 6 x 10	219030*	
50 - 28	32 - 18	1.929	1.417	1.378	1.984 (lbs)	M 6 x 10	219085	
50 - 28	32 - 18	4.291	3.780	1.378	2.204 (lbs)	M 6 x 10	219086	
50 - 28	32 - 18	4.291	3.780	1.575	2.425 (lbs)	M 6 x 10	119012	
50 - 28	32 - 18	4.291	3.780	1.811	2.866 (lbs)	M 6 x 10	219032*	
50 - 28	40 - 22	1.575	1.063	-	1.102 (lbs)	M 6 x 10	219087	
50 - 28	40 - 22	3.937	3.425	1.850	2.866 (lbs)	M 6 x 10	219088	
50 - 28	63 - 36	1.969	-	2.480	2.204 (lbs)	M 6 x 10	119059	

*Reinforced reducer

NOTE: Balance refers to a specific residual imbalance of ≤ 10 g mm/kg



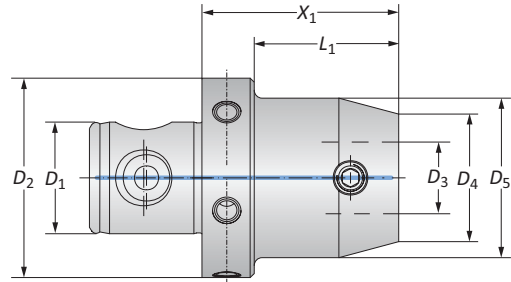
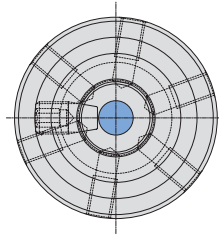
i = Imperial (in)
m = Metric (mm)

IMPORTANT: Max spindle speed refers to maximum possible speed for an individual boring head and is not a recommended parameter. Refer to page B10-N: 10 for recommended application-specific parameters. Factory technical assistance is available for your specific applications through our Application Engineering department. ext: 7611 | email: appeng@alliedmachine.com

WARNING Tool failure can cause serious injury. To prevent:
 -Do not exceed recommended 10xD length to diameter ratio or exceed 4 total components (including shank)
 -Refer to example on page B10-N: 8 for calculating length to diameter ratio
 Factory technical assistance is available for your specific applications through our Application Engineering department. ext: 7611 | email: appeng@alliedmachine.com

Reducers

Metric | Balanced

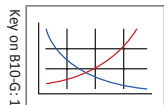


MVS Connection		Reducer			Weight	Thread Precision	Part No.
$D_2 D_1$	$D_4 D_3$	X_1	L_1	D_5			
25 - 14	19.5 - 11	30.00	21.00	19.50	0.10 (kg)	-	219034
25 - 14	22 - 11	30.00	21.00	22.00	0.20 (kg)	-	219035
32 - 18	22 - 11	12.00	0.50	22.00	0.10 (kg)	-	219036
32 - 18	25 - 14	30.00	21.00	25.00	0.10 (kg)	-	219037
40 - 22	22 - 11	12.00	0.50	22.00	0.20 (kg)	-	219038
40 - 22	25 - 14	30.00	21.00	25.00	0.20 (kg)	-	219039
40 - 22	32 - 18	30.00	-	40.00	0.50 (kg)	-	219040
50 - 28	19.5 - 11	54.00	41.00	19.50	0.40 (kg)	M 6 x 10	219051
50 - 28	22 - 11	14.00	0.50	22.00	0.30 (kg)	M 6 x 10	219041
50 - 28	22 - 11	54.00	41.00	22.00	0.40 (kg)	M 6 x 10	219052
50 - 28	25 - 14	14.00	0.50	25.00	0.30 (kg)	M 6 x 7	119094
50 - 28	25 - 14	59.00	46.00	25.00	0.40 (kg)	M 6 x 10	119054
50 - 28	25 - 14	59.00	46.00	32.00	0.50 (kg)	M 6 x 10	119055
50 - 28	25 - 14	119.00	106.00	32.00	1.00 (kg)	M 6 x 10	119010
50 - 28	25 - 14	119.00	106.00	36.00	0.60 (kg)	M 6 x 10	219030*
50 - 28	32 - 18	49.00	36.00	35.00	0.90 (kg)	M 6 x 10	219085
50 - 28	32 - 18	109.00	96.00	35.00	1.00 (kg)	M 6 x 10	219086
50 - 28	32 - 18	109.00	96.00	40.00	1.10 (kg)	M 6 x 10	119012
50 - 28	32 - 18	109.00	96.00	46.00	1.30 (kg)	M 6 x 10	219032*
50 - 28	40 - 22	40.00	27.00	-	0.50 (kg)	M 6 x 10	219087
50 - 28	40 - 22	100.00	87.00	47.00	1.30 (kg)	M 6 x 10	219088
50 - 28	63 - 36	50.00	-	63.00	1.00 (kg)	M 6 x 10	119059

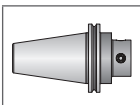
*Reinforced reducer

NOTE: Balance refers to a specific residual imbalance of ≤ 10 g mm/kg

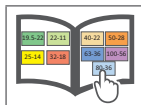
B10-N: 10-13



B10-H



B10: xii-xiii



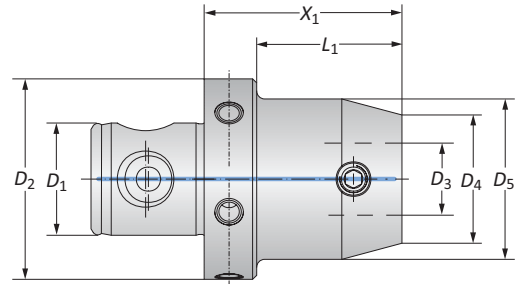
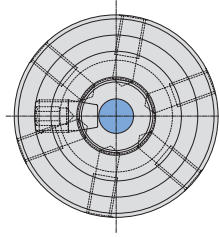
i = Imperial (in)
m = Metric (mm)

IMPORTANT: Max spindle speed refers to maximum possible speed for an individual boring head and is not a recommended parameter. Refer to page B10-N: 10 for recommended application-specific parameters. Factory technical assistance is available for your specific applications through our Application Engineering department.
ext: 7611 | email: appeng@alliedmachine.com

WARNING Tool failure can cause serious injury. To prevent:
-Do not exceed recommended 10xD length to diameter ratio or exceed 4 total components (including shank)
-Refer to example on page B10-N: 8 for calculating length to diameter ratio
Factory technical assistance is available for your specific applications through our Application Engineering department. ext: 7611 | email: appeng@alliedmachine.com

Reducers

Imperial | Balanced



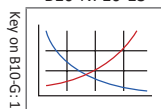
MVS Connection		Reducer				Weight	Thread Precision	Part No.
$D_2 D_1$	$D_4 D_3$	X_1	L_1	D_5				
63 - 36	19.5 - 11	2.126	1.614	0.768	1.322 (lbs)	M 6 x 10	219053	
63 - 36	22 - 11	0.551	0.020	0.866	1.322 (lbs)	M 6 x 10	219042	
63 - 36	22 - 11	2.126	1.614	0.866	1.543 (lbs)	M 6 x 10	219054	
63 - 36	25 - 14	0.551	0.020	0.984	1.322 (lbs)	M 6 x 10	119095	
63 - 36	25 - 14	2.323	1.811	0.984	1.543 (lbs)	M 6 x 10	119060	
63 - 36	25 - 14	2.323	1.811	1.260	1.763 (lbs)	M 6 x 10	119061	
63 - 36	25 - 14	4.685	4.173	1.260	2.425 (lbs)	M 6 x 15	119019	
63 - 36	25 - 14	4.685	4.173	1.417	2.866 (lbs)	M 6 x 10	219031*	
63 - 36	32 - 18	1.929	1.417	1.378	1.543 (lbs)	M 6 x 10	219089	
63 - 36	32 - 18	4.291	3.780	1.378	2.645 (lbs)	M 6 x 10	219090	
63 - 36	32 - 18	4.291	3.780	1.575	3.086 (lbs)	M 6 x 10	119021	
63 - 36	32 - 18	4.291	3.780	1.811	3.527 (lbs)	M 6 x 10	219033*	
63 - 36	40 - 22	1.575	1.063	-	1.763 (lbs)	M 6 x 10	219091	
63 - 36	40 - 22	3.937	3.425	1.850	3.527 (lbs)	M 6 x 15	219092	
63 - 36	40 - 22	5.906	5.394	1.969	5.291 (lbs)	M 6 x 15	119067	
63 - 36	50 - 28	1.575	-	2.480	2.204 (lbs)	M 6 x 10	119064	
63 - 36	50 - 28	1.575	1.063	1.969	1.763 (lbs)	M 6 x 10	119096**	
63 - 36	50 - 28	3.937	-	2.480	5.291 (lbs)	M 6 x 15	119025	
63 - 36	50 - 28	3.937	3.425	1.969	3.747 (lbs)	M 6 x 10	119097**	
80 - 36	63 - 36	1.969	-	3.150	3.527 (lbs)	M 6 x 15	119098	
100 - 56	80 - 36	2.756	2.047	3.150	7.936 (lbs)	M 8 x 20	219066	

* Reinforced reducer

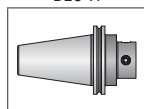
**For milling applications

NOTE: Balance refers to a specific residual imbalance of ≤ 10 g mm/kg

B10-N: 10-13



B10-H



B10: xii-xiii



i = Imperial (in)
m = Metric (mm)

IMPORTANT: Max spindle speed refers to maximum possible speed for an individual boring head and is not a recommended parameter. Refer to page B10-N: 10 for recommended application-specific parameters. Factory technical assistance is available for your specific applications through our Application Engineering department.

ext: 7611 | email: appeng@alliedmachine.com

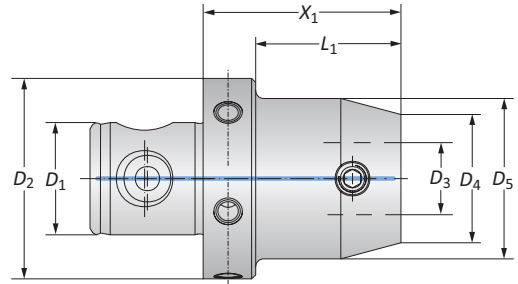
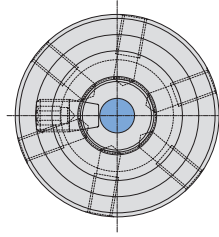
⚠ WARNING Tool failure can cause serious injury. To prevent:

- Do not exceed recommended 10xD length to diameter ratio or exceed 4 total components (including shank)
- Refer to example on page B10-N: 8 for calculating length to diameter ratio

Factory technical assistance is available for your specific applications through our Application Engineering department. ext: 7611 | email: appeng@alliedmachine.com

Reducers

Metric | Balanced



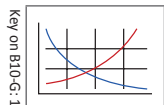
MVS Connection		Reducer			Weight	Thread Precision	Part No.
$D_2 D_1$	$D_4 D_3$	X_1	L_1	D_5			
63 - 36	19.5 - 11	54.00	41.00	19.50	0.60 (kg)	M 6 x 10	219053
63 - 36	22 - 11	14.00	0.50	22.00	0.60 (kg)	M 6 x 10	219042
63 - 36	22 - 11	54.00	41.00	22.00	0.70 (kg)	M 6 x 10	219054
63 - 36	25 - 14	14.00	0.50	25.00	0.60 (kg)	M 6 x 10	119095
63 - 36	25 - 14	59.00	46.00	25.00	0.70 (kg)	M 6 x 10	119060
63 - 36	25 - 14	59.00	46.00	32.00	0.80 (kg)	M 6 x 10	119061
63 - 36	25 - 14	119.00	106.00	32.00	1.10 (kg)	M 6 x 15	119019
63 - 36	25 - 14	119.00	106.00	36.00	1.30 (kg)	M 6 x 10	219031*
63 - 36	32 - 18	49.00	36.00	35.00	0.70 (kg)	M 6 x 10	219089
63 - 36	32 - 18	109.00	96.00	35.00	1.20 (kg)	M 6 x 10	219090
63 - 36	32 - 18	109.00	96.00	40.00	1.40 (kg)	M 6 x 10	119021
63 - 36	32 - 18	109.00	96.00	46.00	1.60 (kg)	M 6 x 10	219033*
63 - 36	40 - 22	40.00	27.00	-	0.80 (kg)	M 6 x 10	219091
63 - 36	40 - 22	100.00	87.00	47.00	1.60 (kg)	M 6 x 15	219092
63 - 36	40 - 22	150.00	137.00	50.00	2.40 (kg)	M 6 x 15	119067
63 - 36	50 - 28	40.00	-	63.00	1.00 (kg)	M 6 x 10	119064
63 - 36	50 - 28	40.00	27.00	50.00	0.80 (kg)	M 6 x 10	119096**
63 - 36	50 - 28	100.00	-	63.00	2.40 (kg)	M 6 x 15	119025
63 - 36	50 - 28	100.00	87.00	50.00	1.70 (kg)	M 6 x 10	119097**
80 - 36	63 - 36	50.00	-	80.00	1.60 (kg)	M 6 x 15	119098
100 - 56	80 - 36	70.00	52.00	80.00	3.60 (kg)	M 8 x 20	219066

* Reinforced reducer

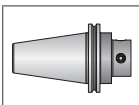
**For milling applications

NOTE: Balance refers to a specific residual imbalance of ≤ 10 g mm/kg

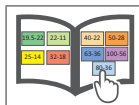
B10-N: 10-13



B10-H



B10: xii-xiii



i = Imperial (in)
m = Metric (mm)

IMPORTANT: Max spindle speed refers to maximum possible speed for an individual boring head and is not a recommended parameter. Refer to page B10-N: 10 for recommended application-specific parameters. Factory technical assistance is available for your specific applications through our Application Engineering department.
ext: 7611 | email: appeng@alliedmachine.com

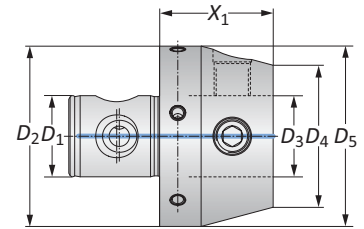
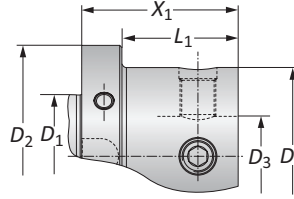
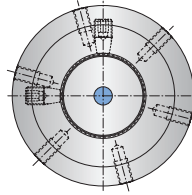
⚠ WARNING Tool failure can cause serious injury. To prevent:

- Do not exceed recommended 10xD length to diameter ratio or exceed 4 total components (including shank)
- Refer to example on page B10-N: 8 for calculating length to diameter ratio

Factory technical assistance is available for your specific applications through our Application Engineering department. ext: 7611 | email: appeng@alliedmachine.com

Reducer

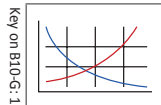
Balanced Alu-Line



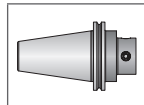
	MVS Connection		Reducer			Weight	Thread Precision	Part No.
	$D_2 D_1$	$D_4 D_3$	X_1	L_1	D_5			
i	100 - 56	80 - 36	2.756	2.047	–	2.866 (lbs)	M 8 x 20	319013
m	100 - 56	80 - 36	70.00	52.00	–	1.30 (kg)	M 8 x 20	319013

NOTE: Balance refers to a specific residual imbalance of ≤ 10 g mm/kg

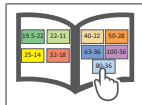
B10-N: 10-13



B10-H



B10: xii-xiii



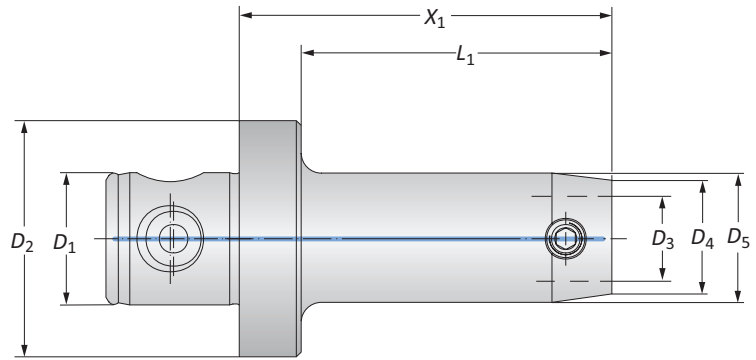
i = Imperial (in)
m = Metric (mm)

IMPORTANT: Max spindle speed refers to maximum possible speed for an individual boring head and is not a recommended parameter. Refer to page B10-N: 10 for recommended application-specific parameters. Factory technical assistance is available for your specific applications through our Application Engineering department.
ext: 7611 | email: appeng@alliedmachine.com

WARNING Tool failure can cause serious injury. To prevent:
-Do not exceed recommended 10xD length to diameter ratio or exceed 4 total components (including shank)
-Refer to example on page B10-N: 8 for calculating length to diameter ratio
Factory technical assistance is available for your specific applications through our Application Engineering department. ext: 7611 | email: appeng@alliedmachine.com

Heavy Metal Reducers

Vibration Reduction



MVS Connection		Heavy Metal Reducer			Weight	Part No.
$D_2 D_1$	$D_4 D_3$	X_1	L_1	D_5		
50 - 28	19.5 - 11	3.543	3.031	0.768	2.204 (lbs)	219055
50 - 28	22 - 11	4.331	3.819	0.906	2.866 (lbs)	219056
50 - 28	25 - 14	4.882	4.370	1.102	3.747 (lbs)	219057
50 - 28	25 - 14	5.669	5.157	1.260	5.070 (lbs)	219058
50 - 28	25 - 14	6.457	5.945	1.378	6.393 (lbs)	219059
50 - 28	32 - 18	6.063	5.551	1.457	6.393 (lbs)	219093
50 - 28	32 - 18	6.063	5.551	1.654	8.157 (lbs)	219060
<hr/>						
50 - 28	19.5 - 11	90.00	77.00	19.50	1.00 (kg)	219055
50 - 28	22 - 11	110.00	97.00	23.00	1.30 (kg)	219056
50 - 28	25 - 14	124.00	111.00	28.00	1.70 (kg)	219057
50 - 28	25 - 14	144.00	131.00	32.00	2.30 (kg)	219058
50 - 28	25 - 14	164.00	151.00	35.00	2.90 (kg)	219059
50 - 28	32 - 18	154.00	141.00	37.00	2.90 (kg)	219093
50 - 28	32 - 18	154.00	141.00	42.00	3.70 (kg)	219060

NOTE: Heavy metal reducers are used to reduce vibration when machining deep boring applications. When using heavy metal reducers, the maximum cutting speed (V_c) is 200 m/min. If steel extensions are also used, reduce the cutting speed by 50% and use replaceable inserts where $r = 0.10\text{mm}$.

B10-N: 10-13

B10-H

B10: xii-xiii

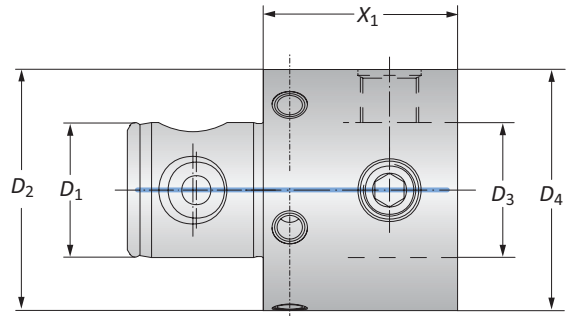
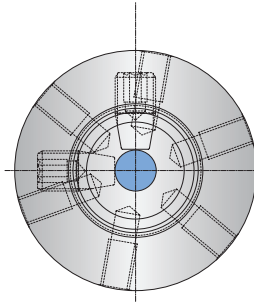
i = Imperial (in)
m = Metric (mm)

IMPORTANT: Max spindle speed refers to maximum possible speed for an individual boring head and is not a recommended parameter. Refer to page B10-N: 10 for recommended application-specific parameters. Factory technical assistance is available for your specific applications through our Application Engineering department.
ext: 7611 | email: appeng@alliedmachine.com

WARNING Tool failure can cause serious injury. To prevent:
-Do not exceed recommended 10xD length to diameter ratio or exceed 4 total components (including shank)
-Refer to example on page B10-N: 8 for calculating length to diameter ratio
Factory technical assistance is available for your specific applications through our Application Engineering department. ext: 7611 | email: appeng@alliedmachine.com

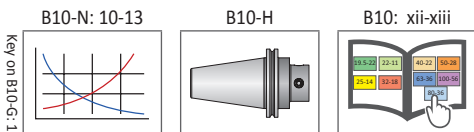
Extensions

Imperial | Balanced



MVS Connection		Extension	Weight	Thread Precision	Part No.
$D_2 D_1$	$D_4 D_3$				
19.5 - 11	19.5 - 11	1.575	0.220 (lbs)	-	219043
22 - 11	22 - 11	1.575	0.220 (lbs)	-	219044
25 - 14	25 - 14	0.984	0.220 (lbs)	-	219068
25 - 14	25 - 14	1.575	0.220 (lbs)	-	119001
32 - 18	32 - 18	1.575	0.440 (lbs)	-	119002
40 - 22	40 - 22	1.575	0.881 (lbs)	-	119003
50 - 28	50 - 28	1.575	1.322 (lbs)	M 6 x 10	119004
50 - 28	50 - 28	2.953	2.425 (lbs)	M 6 x 10	219097*
50 - 28	50 - 28	2.953	2.425 (lbs)	M 6 x 10	219082
50 - 28	50 - 28	3.937	3.306 (lbs)	M 6 x 10	119058
63 - 36	63 - 36	1.969	2.425 (lbs)	M 6 x 10	119005
63 - 36	63 - 36	2.953	3.747 (lbs)	M 6 x 15	219083
63 - 36	63 - 36	4.921	6.393 (lbs)	M 6 x 15	119065
80 - 36	80 - 36	1.969	4.188 (lbs)	M 6 x 15	119006
80 - 36	80 - 36	2.953	6.172 (lbs)	M 6 x 15	219084
80 - 36	80 - 36	4.921	10.580 (lbs)	M 8 x 15	119066
80 - 36	80 - 36	7.874	16.310 (lbs)	M 6 x 15	219094
80 - 36	80 - 36	10.827	22.260 (lbs)	M 8 x 21	119069
100 - 56	100 - 56	2.953	9.479 (lbs)	M 8 x 20	219095
100 - 56	100 - 56	3.937	12.340 (lbs)	M 8 x 20	219061
100 - 56	100 - 56	5.906	17.850 (lbs)	M 8 x 20	219096
100 - 56	100 - 56	7.874	22.480 (lbs)	M 8 x 20	219062
100 - 56	100 - 56	11.811	32.180 (lbs)	M 8 x 20	219063

* $D_2 / D_4 = 1.948"$ (49.50mm) for boring 1.968" (50.00mm) applications
NOTE: Balance refers to a specific residual imbalance of ≤ 10 g mm/kg



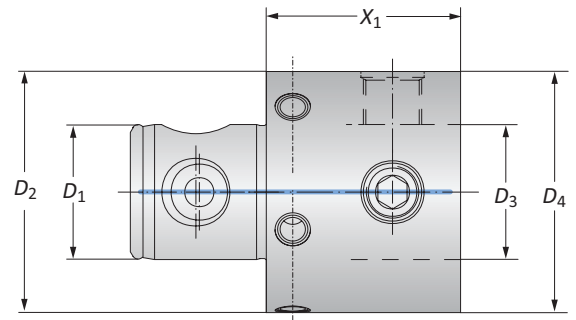
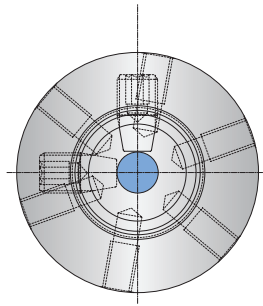
i = Imperial (in)
m = Metric (mm)

IMPORTANT: Max spindle speed refers to maximum possible speed for an individual boring head and is not a recommended parameter. Refer to page B10-N: 10 for recommended application-specific parameters. Factory technical assistance is available for your specific applications through our Application Engineering department.
 ext: 7611 | email: appeng@alliedmachine.com

1. WARNING Tool failure can cause serious injury. To prevent:
 -Do not exceed recommended 10xD length to diameter ratio or exceed 4 total components (including shank)
 -Refer to example on page B10-N: 8 for calculating length to diameter ratio
 Factory technical assistance is available for your specific applications through our Application Engineering department. ext: 7611 | email: appeng@alliedmachine.com

Extensions

Metric | Balanced

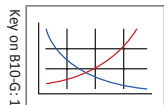


MVS Connection		Extension	Weight	Thread Precision	Part No.
$D_2 D_1$	$D_4 D_3$				
19.5 - 11	19.5 - 11	40.00	0.10 (kg)	-	219043
22 - 11	22 - 11	40.00	0.10 (kg)	-	219044
25 - 14	25 - 14	25.00	0.10 (kg)	-	219068
25 - 14	25 - 14	40.00	0.10 (kg)	-	119001
32 - 18	32 - 18	40.00	0.20 (kg)	-	119002
40 - 22	40 - 22	40.00	0.40 (kg)	-	119003
50 - 28	50 - 28	40.00	0.60 (kg)	M 6 x 10	119004
50 - 28	50 - 28	75.00	1.10 (kg)	M 6 x 10	219097*
50 - 28	50 - 28	75.00	1.10 (kg)	M 6 x 10	219082
50 - 28	50 - 28	100.00	1.50 (kg)	M 6 x 10	119058
63 - 36	63 - 36	50.00	1.10 (kg)	M 6 x 10	119005
63 - 36	63 - 36	75.00	1.70 (kg)	M 6 x 15	219083
63 - 36	63 - 36	125.00	2.90 (kg)	M 6 x 15	119065
80 - 36	80 - 36	50.00	1.90 (kg)	M 6 x 15	119006
80 - 36	80 - 36	75.00	2.80 (kg)	M 6 x 15	219084
80 - 36	80 - 36	125.00	4.80 (kg)	M 8 x 15	119066
80 - 36	80 - 36	200.00	7.40 (kg)	M 6 x 15	219094
80 - 36	80 - 36	275.00	10.10 (kg)	M 8 x 21	119069
100 - 56	100 - 56	75.00	4.30 (kg)	M 8 x 20	219095
100 - 56	100 - 56	100.00	5.60 (kg)	M 8 x 20	219061
100 - 56	100 - 56	150.00	8.10 (kg)	M 8 x 20	219096
100 - 56	100 - 56	200.00	10.20 (kg)	M 8 x 20	219062
100 - 56	100 - 56	300.00	14.60 (kg)	M 8 x 20	219063

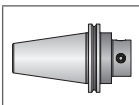
* $D_2 / D_4 = 1.948"$ (49.50mm) for boring $1.968"$ (50.00mm) applications

NOTE: Balance refers to a specific residual imbalance of ≤ 10 g mm/kg

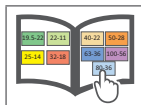
B10-N: 10-13



B10-H



B10: xii-xiii



i = Imperial (in)
m = Metric (mm)

IMPORTANT: Max spindle speed refers to maximum possible speed for an individual boring head and is not a recommended parameter. Refer to page B10-N: 10 for recommended application-specific parameters. Factory technical assistance is available for your specific applications through our Application Engineering department.
ext: 7611 | email: appeng@alliedmachine.com

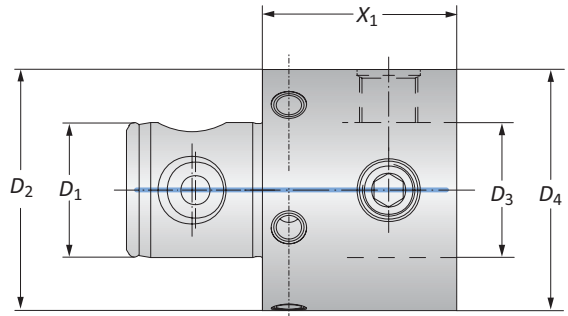
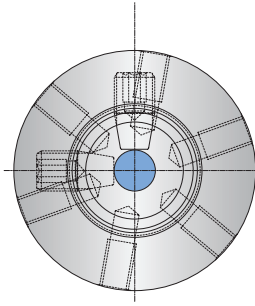
WARNING Tool failure can cause serious injury. To prevent:

- Do not exceed recommended 10xD length to diameter ratio or exceed 4 total components (including shank)
- Refer to example on page B10-N: 8 for calculating length to diameter ratio

Factory technical assistance is available for your specific applications through our Application Engineering department. ext: 7611 | email: appeng@alliedmachine.com

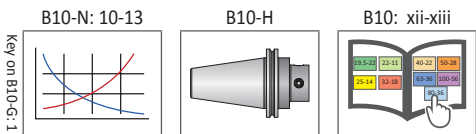
Extensions

Balanced Alu-Line



MVS Connection		Modules		Weight	Thread Precision	Part No.
D ₂ D ₁	D ₄ D ₃	X ₁				
50 - 28	50 - 28	1.575	0.440 (lbs)	M 6 x 8	319021	
50 - 28	50 - 28	2.953	0.881 (lbs)	M 6 x 10	319022	
50 - 28	50 - 28	3.937	1.322 (lbs)	M 6 x 10	319023	
63 - 36	63 - 36	1.969	0.881 (lbs)	M 6 x 8	319002	
63 - 36	63 - 36	4.921	2.425 (lbs)	M 6 x 10	319003	
80 - 36	80 - 36	1.969	1.543 (lbs)	M 6 x 10	319004	
80 - 36	80 - 36	2.953	2.204 (lbs)	M 6 x 10	319016	
i 80 - 36	80 - 36	4.921	3.968 (lbs)	M 6 x 10	319005	
80 - 36	80 - 36	7.874	5.952 (lbs)	M 6 x 10	319017	
80 - 36	80 - 36	10.827	8.157 (lbs)	M 6 x 10	319006	
100 - 56	100 - 56	2.953	3.306 (lbs)	M 8 x 20	319019	
100 - 56	100 - 56	3.937	4.850 (lbs)	M 8 x 20	319007	
100 - 56	100 - 56	5.906	6.613 (lbs)	M 8 x 20	319018	
100 - 56	100 - 56	7.874	8.377 (lbs)	M 8 x 20	319008	
100 - 56	100 - 56	11.811	11.900 (lbs)	M 8 x 20	319009	
<hr/>						
50 - 28	50 - 28	40.00	0.20 (kg)	M 6 x 8	319021	
50 - 28	50 - 28	75.00	0.40 (kg)	M 6 x 10	319022	
50 - 28	50 - 28	100.00	0.60 (kg)	M 6 x 10	319023	
63 - 36	63 - 36	50.00	0.40 (kg)	M 6 x 8	319002	
63 - 36	63 - 36	125.00	1.10 (kg)	M 6 x 10	319003	
80 - 36	80 - 36	50.00	0.70 (kg)	M 6 x 10	319004	
80 - 36	80 - 36	75.00	1.00 (kg)	M 6 x 10	319016	
m 80 - 36	80 - 36	125.00	1.80 (kg)	M 6 x 10	319005	
80 - 36	80 - 36	200.00	2.70 (kg)	M 6 x 10	319017	
80 - 36	80 - 36	275.00	3.70 (kg)	M 6 x 10	319006	
100 - 56	100 - 56	75.00	1.50 (kg)	M 8 x 20	319019	
100 - 56	100 - 56	100.00	2.20 (kg)	M 8 x 20	319007	
100 - 56	100 - 56	150.00	3.00 (kg)	M 8 x 20	319018	
100 - 56	100 - 56	200.00	3.80 (kg)	M 8 x 20	319008	
100 - 56	100 - 56	300.00	5.40 (kg)	M 8 x 20	319009	

NOTE: Balance refers to a specific residual imbalance of ≤ 10 g mm/kg



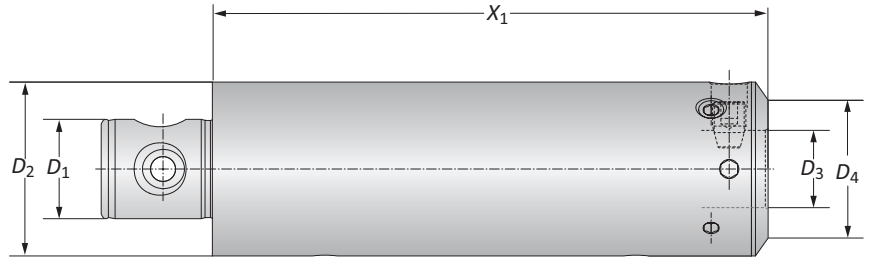
i = Imperial (in)
m = Metric (mm)

IMPORTANT: Max spindle speed refers to maximum possible speed for an individual boring head and is not a recommended parameter. Refer to page B10-N: 10 for recommended application-specific parameters. Factory technical assistance is available for your specific applications through our Application Engineering department.
ext: 7611 | email: appeng@alliedmachine.com

⚠ WARNING Tool failure can cause serious injury. To prevent:
-Do not exceed recommended 10xD length to diameter ratio or exceed 4 total components (including shank)
-Refer to example on page B10-N: 8 for calculating length to diameter ratio
Factory technical assistance is available for your specific applications through our Application Engineering department. ext: 7611 | email: appeng@alliedmachine.com

NOVI^{TECH}® Vibration Dampened Modules

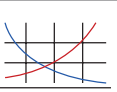
Machining Diameter: 1.968" - 8.070" (50.00mm - 205.00mm)



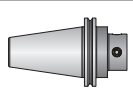
MVS Connection		NOVI ^{TECH}		
$D_2 D_1$	$D_4 D_3$	X_1	Weight	Part No.
50 - 28	40 - 22	7.874	6.172 (lbs)	519002*
63 - 36	50 - 28	7.874	12.560 (lbs)	519003
80 - 36	63 - 36	7.874	16.530 (lbs)	519004
80 - 36	80 - 36	7.874	16.530 (lbs)	519005
<hr/>				
50 - 28	40 - 22	200.00	2.80 (kg)	519002
63 - 36	50 - 28	200.00	5.70 (kg)	519003
80 - 36	63 - 36	200.00	7.50 (kg)	519004
80 - 36	80 - 36	200.00	7.50 (kg)	519005

* $D_2 = 49.50\text{mm}$


B10-N: 10-13



B10-H



B10: xii-xiii



i = Imperial (in)
m = Metric (mm)

IMPORTANT: Max spindle speed refers to maximum possible speed for an individual boring head and is not a recommended parameter. Refer to page B10-N: 10 for recommended application-specific parameters. Factory technical assistance is available for your specific applications through our Application Engineering department.
ext: 7611 | email: appeng@alliedmachine.com

WARNING Tool failure can cause serious injury. To prevent:
-Do not exceed recommended 10xD length to diameter ratio or exceed 4 total components (including shank)
-Refer to example on page B10-N: 8 for calculating length to diameter ratio
Factory technical assistance is available for your specific applications through our Application Engineering department. ext: 7611 | email: appeng@alliedmachine.com

A
B
C
D
E
F
G
H
I
J
K
L
M
N
INDEX

SECTION

B10-H

Master Shanks

Wohlhaupter® Master Shanks



The MVS Connection

Wohlhaupter MVS connection shanks provide a high level of accuracy when building or replacing components. Our master shanks adapt to any machine tool spindle, making it easy to find the shank you need.

Your safety and the safety of others is very important. This catalog contains important safety messages. Always read and follow all safety precautions.



This triangle is a safety hazard symbol. It alerts you to potential safety hazards that can cause tool failure and serious injury.

When you see this symbol in the catalog, look for a related safety message that may be near this triangle or referred to in the nearby text.

There are safety signal words also used in the catalog. Safety messages follow these words.

WARNING

WARNING (shown above) means that failure to follow the precautions in this message could result in tool failure and serious injury.

NOTICE means that failure to follow the precautions in this message could result in damage to the tool or machine but not result in personal injury.

NOTE and **IMPORTANT** are also used. These are important that you read and follow but are not safety-related.

Visit www.alliedmachine.com for the most up-to-date information and procedures.

Applicable Industries



Aerospace



Agriculture



Automotive



Firearms



General
Machining



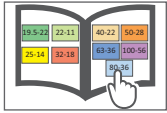
Oil & Gas



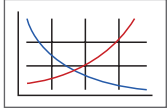
Renewable
Energy

Reference Icons

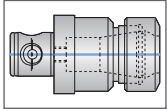
The following icons will appear throughout the catalog to help you navigate between products.



MVS Connection Color Guide
Detailed instructions and information regarding the MVS connection(s)



Recommended Cutting Data
Speed and feed recommendations for optimum and safe boring

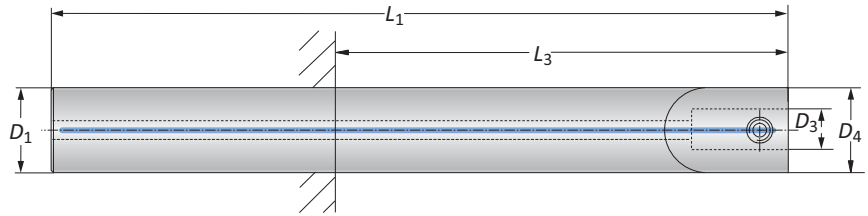


Clamping Elements
Collet chucks for carbide shanks

Master Shanks Table of Contents

Carbide Shanks	2
HSK Shanks (DIN 69893)	3 - 4
Polygon Shaft Shanks (PSC) (ISO26623-1)	5
Dual Contact CAT Shanks with Imperial Threads	6
CAT Shanks with Imperial Threads	7
CAT Shanks with Metric Threads	8
Dual Contact SK Shanks (DIN 69871-AD / BD)	9
SK Shanks (DIN 69871-AD / B-D)	10
Dual Contact BT Shanks (JIS B 6339)	11
BT Shanks (JIS B 6339)	12
NMTB Shanks	13
Imperial Straight Shanks	14
DIN 2080 Shanks	15
Morse Taper Shanks (DIN 1806)	16
R8 Shanks	17
Mounting Fixtures	18

Carbide Master Shanks

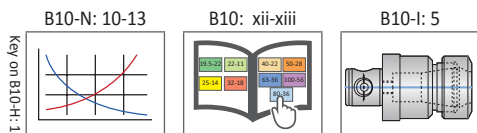


Connection	Shank			L_3 min				Weight	Part No.
	D_4 D_3	L_1	D_1	L_3 max	SK 40	SK 50	HSK-A 63		
18 - 11	6.102	0.709	4.213	1.535	1.024	2.362	2.638	1.102 (lbs)	299009*
22 - 11	5.512	0.866	3.622	1.102	1.102	1.772	2.047	1.543 (lbs)	299001*
22 - 11	7.480	0.866	5.591	2.913	2.205	3.740	4.016	1.984 (lbs)	299002*
22 - 11	9.049	0.866	7.205	4.528	3.819	5.354	5.630	2.425 (lbs)	299003*
i 25 - 14	6.496	0.984	4.606	1.929	1.417	2.756	3.031	2.205 (lbs)	299004*
25 - 14	8.465	0.984	6.575	3.898	3.189	4.724	5.000	2.866 (lbs)	299005*
32 - 18	8.268	1.260	-	5.354	5.354	5.572	5.394	4.630 (lbs)	299006
32 - 18	10.236	1.260	-	7.323	7.323	7.441	7.362	5.732 (lbs)	299007**
40 - 22	16.399	1.575	-	-	13.110	-	13.110	11.460 (lbs)	299008**
18 - 11	155.00	18.00	107.00	39.00	26.00	60.00	67.00	0.50 (kg)	299009*
22 - 11	140.00	22.00	92.00	28.00	28.00	45.00	52.00	0.70 (kg)	299001*
22 - 11	190.00	22.00	142.00	74.00	56.00	95.00	102.00	0.90 (kg)	299002*
22 - 11	231.00	22.00	183.00	115.00	97.00	136.00	143.00	1.10 (kg)	299003*
m 25 - 14	165.00	25.00	117.00	49.00	36.00	70.00	77.00	1.00 (kg)	299004*
25 - 14	215.00	25.00	167.00	99.00	81.00	120.00	127.00	1.30 (kg)	299005*
32 - 18	210.00	32.00	-	136.00	136.00	139.00	137.00	2.10 (kg)	299006**
32 - 18	260.00	32.00	-	186.00	186.00	189.00	187.00	2.60 (kg)	299007**
40 - 22	415.00	40.00	-	-	333.00	-	333.00	5.20 (kg)	299008**

NOTE: Adapter shanks are used for extensions up to 10xD

*Recommended clamping element: collet chuck ISO 15488 (DIN 6499-B) (pg. B10-I: 5)

**Recommended clamping element: collet chuck ISO 10897 (DIN 6388) (pg. B10-I: 5)



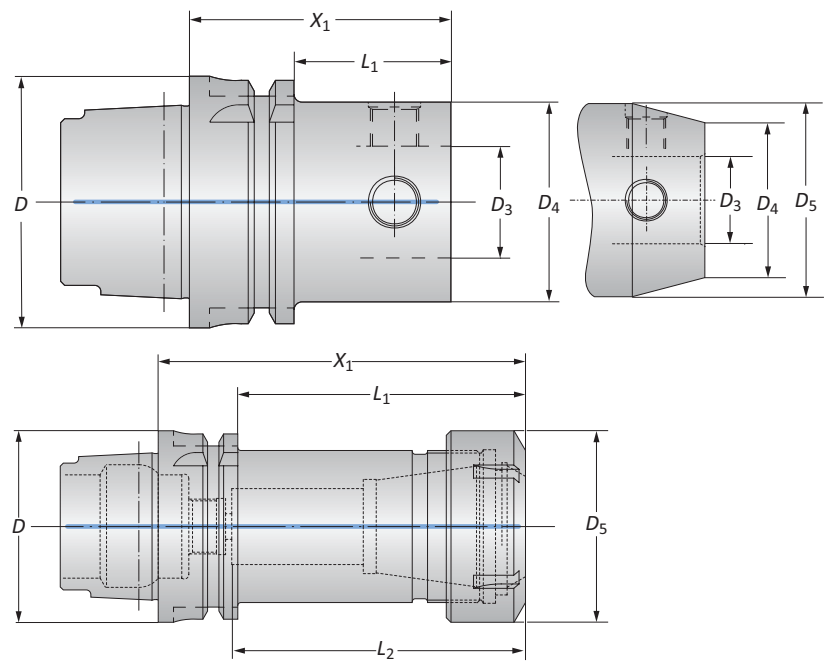
i = Imperial (in)
m = Metric (mm)

1. WARNING Exceeding weight capacity for machine tool spindle and tool changer can cause machine damage, and/or serious injury. To prevent:
-Consult machine tool builder for machine's weight limitations.
Factory technical assistance is also available for specific applications through our Application Engineering department. ext: 7611 | email: appeng@alliedmachine.com

1. WARNING Tool failure can cause serious injury. To prevent:
-Do not exceed recommended 10xD length to diameter ratio or exceed 4 total components (including shank)
-Refer to example on page B10-N: 8 for calculating length to diameter ratio
Factory technical assistance is available for your specific applications through our Application Engineering department. ext: 7611 | email: appeng@alliedmachine.com

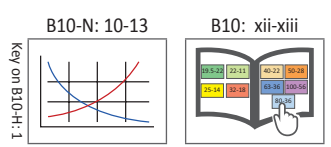
HSK Master Shanks (DIN 69893)

Imperial | Balanced



Taper Size	Connection	Shank				Weight	Part No.
D	$D_4 D_3$	X_1	L_1	L_2	D_5		
40	40 - 22	2.205	-	-	-	0.881 (lbs)	246016
40	50 - 28	2.756	-	-	-	1.543 (lbs)	246004
50	40 - 22	2.205	1.181	-	-	1.322 (lbs)	246015
50	50 - 28	2.559	1.535	-	-	1.763 (lbs)	245011
63	25 - 14	1.811	0.787	-	-	1.543 (lbs)	246012
63	32 - 18	2.205	1.181	-	-	1.763 (lbs)	246013
63	40 - 22	2.205	1.181	-	-	1.984 (lbs)	246014
63	50 - 28	2.559	1.535	-	-	3.527 (lbs)	245012
63	63 - 36	3.150	-	-	-	3.306 (lbs)	245013
63	80 - 36	3.150	-	-	-	4.629 (lbs)	246009
63	ER 40	4.724	3.700	3.740	2.480	3.747 (lbs)	252090*
100	50 - 28	2.559	1.417	-	-	5.291 (lbs)	245014
100	50 - 28	7.087	5.944	-	2.362	11.020 (lbs)	246020
100	50 - 28	7.087	5.944	-	1.948	6.393 (lbs)	246021
100	63 - 36	3.150	2.007	-	-	6.393 (lbs)	245015
100	63 - 36	8.071	6.929	-	3.070	17.190 (lbs)	246019
100	63 - 36	8.071	6.929	-	-	17.190 (lbs)	246022
100	80 - 36	3.150	2.007	-	-	8.157 (lbs)	245016
100	80 - 36	10.03	8.897	-	3.543	27.770 (lbs)	246018
100	80 - 36	10.03	8.897	-	-	22.920 (lbs)	246023
100	100 - 56	3.937	-	-	-	11.020 (lbs)	246010
100	100 - 56	11.810	8.700	-	-	38.580 (lbs)	246017
100	ER 40	4.724	3.582	3.464	2.480	7.716 (lbs)	252091*

NOTE: Balanced refers to a specific residual imbalance of ≤ 4.00 gmm/kg
 *Balanced without clamping nut



i = Imperial (in)
m = Metric (mm)

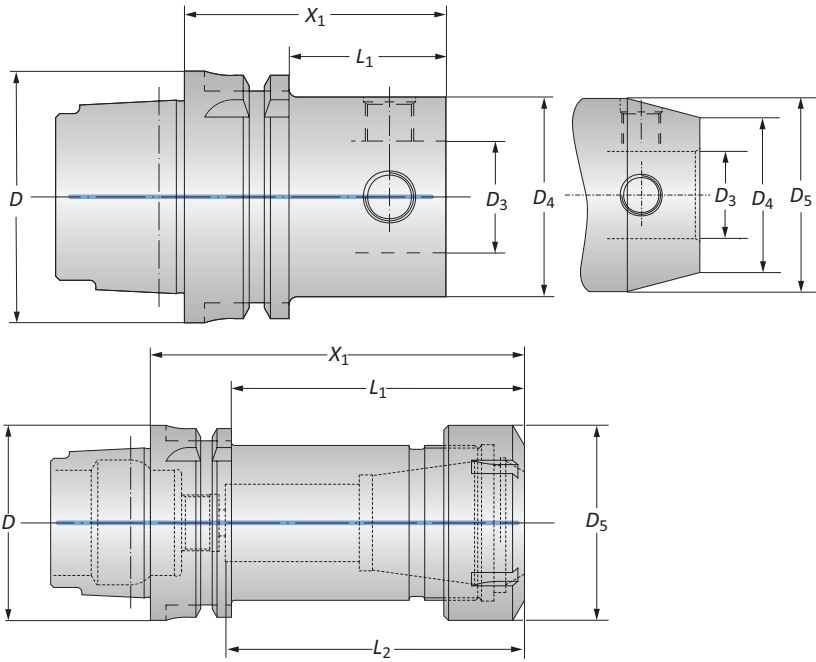
⚠ WARNING Exceeding weight capacity for machine tool spindle and tool changer can cause machine damage, and/or serious injury. To prevent:
 -Consult machine tool builder for machine's weight limitations.
 Factory technical assistance is also available for specific applications through our Application Engineering department. ext: 7611 | email: appeng@alliedmachine.com

⚠ WARNING Tool failure can cause serious injury. To prevent:
 -Do not exceed recommended 10xD length to diameter ratio or exceed 4 total components (including shank)
 -Refer to example on page B10-N: 8 for calculating length to diameter ratio
 Factory technical assistance is available for your specific applications through our Application Engineering department. ext: 7611 | email: appeng@alliedmachine.com

A
B
C
D
E
F
G
H
I
J
K
L
M
N
INDEX

HSK Master Shanks (DIN 69893)

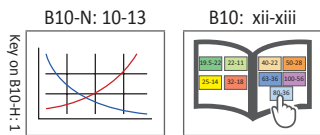
Metric | Balanced



Taper Size	Connection	Shank				Weight	Part No.		
		D	D ₄ D ₃	X ₁	L ₁			L ₂	D ₅
40	40 - 22	40	22	56.00	-	-	-	0.40 (kg)	246016
40	50 - 28	40	28	70.00	-	-	-	0.70 (kg)	246004
50	40 - 22	50	22	56.00	30.00	-	-	0.60 (kg)	246015
50	50 - 28	50	28	65.00	39.00	-	-	0.80 (kg)	245011
63	25 - 14	63	14	46.00	20.00	-	-	0.70 (kg)	246012
63	32 - 18	63	18	56.00	30.00	-	-	0.80 (kg)	246013
63	40 - 22	63	22	56.00	30.00	-	-	0.90 (kg)	246014
63	50 - 28	63	28	65.00	39.00	-	-	1.60 (kg)	245012
63	63 - 36	63	36	80.00	-	-	-	1.50 (kg)	245013
63	80 - 36	63	36	80.00	-	-	-	2.10 (kg)	246009
63	ER 40	63	ER 40	120.00	94.00	95.00	63.00	1.70 (kg)	252090*
100	50 - 28	100	28	65.00	36.00	-	-	2.40 (kg)	245014
100	50 - 28	100	28	180.00	151.00	-	60.00	5.00 (kg)	246020
100	50 - 28	100	28	180.00	151.00	-	49.50	4.00 (kg)	246021
100	63 - 36	100	36	80.00	51.00	-	-	2.90 (kg)	245015
100	63 - 36	100	36	205.00	176.00	-	78.00	7.80 (kg)	246019
100	63 - 36	100	36	205.00	176.00	-	-	7.80 (kg)	246022
100	80 - 36	100	36	80.00	51.00	-	-	3.70 (kg)	245016
100	80 - 36	100	36	255.00	226.00	-	90.00	12.60 (kg)	246018
100	80 - 36	100	36	255.00	226.00	-	-	10.40 (kg)	246023
100	100 - 56	100	56	100.00	-	-	-	5.00 (kg)	246010
100	100 - 56	100	56	300.00	221.00	-	-	17.50 (kg)	246017
100	ER 40	100	ER 40	120.00	91.00	88.00	63.00	3.50 (kg)	252091*

NOTE: Balanced refers to a specific residual imbalance of ≤4.00 gmm/kg

*Balanced without clamping nut



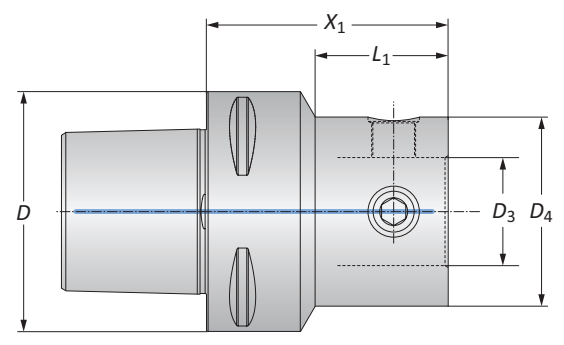
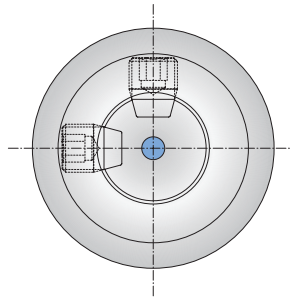
i = Imperial (in)
m = Metric (mm)

⚠ WARNING Exceeding weight capacity for machine tool spindle and tool changer can cause machine damage, and/or serious injury. To prevent:
 -Consult machine tool builder for machine's weight limitations.
 Factory technical assistance is also available for specific applications through our Application Engineering department. ext: 7611 | email: appeng@alliedmachine.com

⚠ WARNING Tool failure can cause serious injury. To prevent:
 -Do not exceed recommended 10xD length to diameter ratio or exceed 4 total components (including shank)
 -Refer to example on page B10-N: 8 for calculating length to diameter ratio
 Factory technical assistance is available for your specific applications through our Application Engineering department. ext: 7611 | email: appeng@alliedmachine.com

Polygon Shaft Master Shanks (PSC) (ISO 26623-1)

Balanced



PSC	Connection	Shank		Weight	Part No.	
		D	D ₄ D ₃			X ₁
i	50	40 - 22	2.126	1.224	1.543 (lbs)	227014
	50	50 - 28	2.559	-	2.205 (lbs)	227001
	50	63 - 36	3.150	-	3.527 (lbs)	227002
	50	80 - 36	3.150	-	5.512 (lbs)	227012
	63	25 - 14	2.126	0.838	2.205 (lbs)	227010
	63	32 - 28	2.126	0.917	2.205 (lbs)	227009
	63	40 - 22	2.559	1.433	2.425 (lbs)	227008
	63	50 - 28	2.559	1.555	2.866 (lbs)	227003
	63	63 - 36	3.150	-	4.189 (lbs)	227004
	63	80 - 36	3.150	-	5.952 (lbs)	227005
	80	50 - 28	2.559	1.047	5.071 (lbs)	227011
	80	63 - 36	3.150	1.783	5.952 (lbs)	227006
	80	80 - 36	3.150	-	7.496 (lbs)	227007
	m	50	40 - 22	54.00	31.10	0.70 (kg)
50		50 - 28	65.00	-	1.00 (kg)	227001
50		63 - 36	80.00	-	1.60 (kg)	227002
50		80 - 36	80.00	-	2.50 (kg)	227012
63		25 - 14	54.00	21.10	1.00 (kg)	227010
63		32 - 28	54.00	23.00	1.00 (kg)	227009
63		40 - 22	65.00	36.40	1.10 (kg)	227008
63		50 - 28	65.00	39.00	1.30 (kg)	227003
63		63 - 36	80.00	-	1.90 (kg)	227004
63		80 - 36	80.00	-	2.70 (kg)	227005
80		50 - 28	65.00	25.00	2.30 (kg)	227011
80		63 - 36	80.00	45.10	2.70 (kg)	227006
80		80 - 36	80.00	-	3.40 (kg)	227007

NOTE: Balanced refers to a specific residual imbalance of ≤4.00 gmm/kg

B10-N: 10-13

B10: xii-xiii

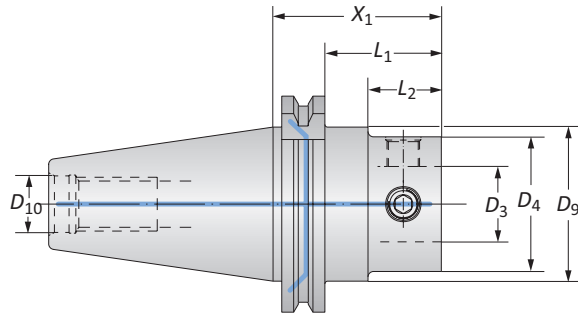
i = Imperial (in)
m = Metric (mm)

WARNING Exceeding weight capacity for machine tool spindle and tool changer can cause machine damage, and/or serious injury. To prevent:
 -Consult machine tool builder for machine's weight limitations.
 Factory technical assistance is also available for specific applications through our Application Engineering department. ext: 7611 | email: appeng@alliedmachine.com

WARNING Tool failure can cause serious injury. To prevent:
 -Do not exceed recommended 10xD length to diameter ratio or exceed 4 total components (including shank)
 -Refer to example on page B10-N: 8 for calculating length to diameter ratio
 Factory technical assistance is available for your specific applications through our Application Engineering department. ext: 7611 | email: appeng@alliedmachine.com

A
B
C
D
E
F
G
H
I
J
K
L
M
N
INDEX

Dual Contact CAT Master Shanks with Imperial Threads



Taper Size	Connection $D_4 D_3$	Shank					Weight	Part No.
		X_1	L_1	L_2	D_9	D_{10}		
40	50 - 28	2.440	1.688	1.062	1.752	5/8 - 11	2.645 (lbs)	353062
40	50 - 28	5.394	4.642	4.016	1.752	5/8 - 11	5.292 (lbs)	353076
40	63 - 36	3.228	2.440	1.850	1.752	5/8 - 11	3.747 (lbs)	353063
50	50 - 28	2.440	1.964	1.062	2.752	1 - 8	7.054 (lbs)	353061
50	50 - 28	7.953	7.201	6.575	2.752	1 - 8	11.687 (lbs)	353077
i	50	63 - 36	2.835	2.083	1.457	1 - 8	7.938 (lbs)	353078
50	63 - 36	8.740	7.988	7.362	2.752	1 - 8	15.656 (lbs)	353079
50	80 - 36	2.834	2.082	1.456	2.752	1 - 8	8.818 (lbs)	353060
50	80 - 36	10.709	9.957	9.331	2.752	1 - 8	26.240 (lbs)	353080
50	100 - 56	4.134	3.382	2.756	2.752	1 - 8	13.230 (lbs)	353081
50	100 - 56	12.008	11.256	10.630	2.752	1 - 8	39.470 (lbs)	353082
40	50 - 28	62.00	42.90	27.00	44.50	5/8 - 11	1.20 (kg)	353062
40	50 - 28	137.00	117.90	102.00	44.50	5/8 - 11	2.40 (kg)	353076
40	63 - 36	82.00	62.90	47.00	44.50	5/8 - 11	1.70 (kg)	353063
50	50 - 28	62.00	49.90	27.00	69.90	1 - 8	3.20 (kg)	353061
50	50 - 28	202.00	182.90	167.00	69.90	1 - 8	5.30 (kg)	353077
m	50	63 - 36	72.00	52.90	37.00	1 - 8	3.60 (kg)	353078
50	63 - 36	222.00	202.90	187.00	69.90	1 - 8	7.10 (kg)	353079
50	80 - 36	72.00	52.90	37.00	69.90	1 - 8	4.00 (kg)	353060
50	80 - 36	272.00	252.90	237.00	69.90	1 - 8	11.90 (kg)	353080
50	100 - 56	105.00	85.90	70.00	69.90	1 - 8	6.00 (kg)	353081
50	100 - 56	305.00	258.90	270.00	69.90	1 - 8	17.90 (kg)	353082

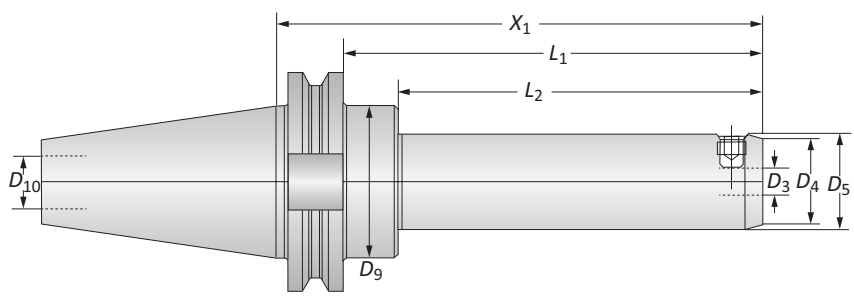
B10-N: 10-13 B10: xii-xiii

i = Imperial (in)
m = Metric (mm)

WARNING Exceeding weight capacity for machine tool spindle and tool changer can cause machine damage, and/or serious injury. To prevent:
-Consult machine tool builder for machine's weight limitations.
Factory technical assistance is also available for specific applications through our Application Engineering department. ext: 7611 | email: appeng@alliedmachine.com

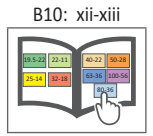
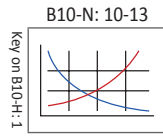
WARNING Tool failure can cause serious injury. To prevent:
-Do not exceed recommended 10xD length to diameter ratio or exceed 4 total components (including shank)
-Refer to example on page B10-N: 8 for calculating length to diameter ratio
Factory technical assistance is available for your specific applications through our Application Engineering department. ext: 7611 | email: appeng@alliedmachine.com

CAT Master Shanks with Imperial Threads



Taper Size	Connection $D_4 D_3$	Shank						Weight	Part No.
		X_1	L_1	L_2	D_5	D_9	D_{10}		
30	40 - 22	2.362	1.610	-	-	-	1/2 - 13	1.322 (lbs)	353001
30	50 - 28	2.755	2.000	-	-	-	1/2 - 13	1.763 (lbs)	353002
40	25 - 14	2.165	1.413	0.787	0.984	1.751	5/8 - 11	2.204 (lbs)	353011
40	25 - 14	5.551	4.803	4.173	1.102	1.751	5/8 - 11	3.306 (lbs)	353012
40	32 - 18	2.559	1.964	1.181	1.259	1.751	5/8 - 11	2.425 (lbs)	353013
40	32 - 18	6.732	5.944	5.354	1.377	1.751	5/8 - 11	4.188 (lbs)	353014
40	40 - 22	2.165	1.410	0.787	-	1.751	5/8 - 11	2.491 (lbs)	353003
40	40 - 22	6.377	5.590	5.000	1.850	1.751	5/8 - 11	5.511 (lbs)	353015
40	50 - 28	2.440	1.690	-	-	1.751	5/8 - 11	2.821 (lbs)	353004
40	50 - 28	5.393	4.606	4.015	1.968	1.751	5/8 - 11	5.291 (lbs)	353016
40	63 - 36	3.228	2.480	-	-	1.751	5/8 - 11	4.034 (lbs)	353005
40	63 - 36	6.181	5.393	4.803	2.480	1.751	5/8 - 11	7.936 (lbs)	353017
50	40 - 22	1.811	1.410	0.787	-	2.750	1 - 8	7.297 (lbs)	353006
50	40 - 22	6.377	5.590	5.000	1.850	2.751	1 - 8	9.920 (lbs)	353018
50	50 - 28	2.440	1.690	-	1.063	2.751	1 - 8	7.583 (lbs)	353007
50	50 - 28	7.952	7.165	6.574	1.948	2.751	1 - 8	11.680 (lbs)	353025
50	50 - 28	7.952	7.165	6.574	2.362	2.751	1 - 8	14.100 (lbs)	353019
50	63 - 36	2.834	2.080	-	1.457	2.751	1 - 8	8.223 (lbs)	353008
50	63 - 36	8.740	7.952	7.362	2.480	2.751	1 - 8	15.650 (lbs)	353023
50	63 - 36	8.740	7.952	7.362	3.070	2.751	1 - 8	20.500 (lbs)	353020
50	80 - 36	2.834	2.080	-	-	2.751	1 - 8	9.413 (lbs)	353009
50	80 - 36	10.700	9.921	9.330	3.149	2.751	1 - 8	26.230 (lbs)	353024
50	80 - 36	10.700	9.921	9.330	3.543	2.751	1 - 8	31.300 (lbs)	353021
50	100 - 56	4.133	3.350	-	-	2.751	1 - 8	13.600 (lbs)	353010
50	100 - 56	12.000	11.220	10.620	3.937	2.751	1 - 8	39.460 (lbs)	353022

i



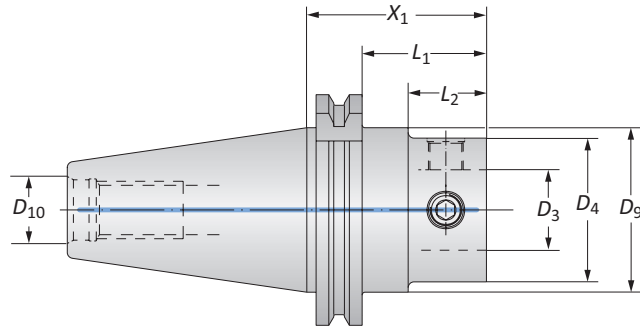
i = Imperial (in)
m = Metric (mm)

WARNING Exceeding weight capacity for machine tool spindle and tool changer can cause machine damage, and/or serious injury. To prevent:
 -Consult machine tool builder for machine's weight limitations.
 Factory technical assistance is also available for specific applications through our Application Engineering department. ext: 7611 | email: appeng@alliedmachine.com

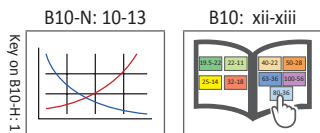
WARNING Tool failure can cause serious injury. To prevent:
 -Do not exceed recommended 10xD length to diameter ratio or exceed 4 total components (including shank)
 -Refer to example on page B10-N: 8 for calculating length to diameter ratio
 Factory technical assistance is available for your specific applications through our Application Engineering department. ext: 7611 | email: appeng@alliedmachine.com

A
B
C
D
E
F
G
H
I
J
K
L
M
N
INDEX

CAT Master Shanks with Metric Threads



	Connection		Shank					Weight	Part No.
	Taper Size	D ₄ D ₃	X ₁	L ₁	L ₂	D ₉	D ₁₀		
m	40	50 - 28	62.00	42.90	–	44.45	M16	1.70 (kg)	132022T016960
	40	63 - 36	82.00	62.90	–	44.45	M16	2.00 (kg)	132066T016960
	50	50 - 28	62.00	42.90	27.00	69.85	M16	3.50 (kg)	132022T016962
	50	63 - 36	72.00	52.90	37.00	69.85	M16	3.80 (kg)	132066T016962
	50	80 - 86	72.00	52.90	–	69.85	M16	4.30 (kg)	132088T016962
	50	100 - 56	105.00	85.00	–	69.85	M16	5.20 (kg)	132076T016962

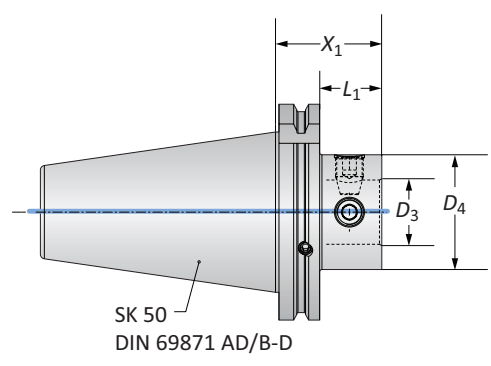


i = Imperial (in)
m = Metric (mm)

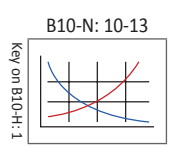
WARNING Exceeding weight capacity for machine tool spindle and tool changer can cause machine damage, and/or serious injury. To prevent:
-Consult machine tool builder for machine's weight limitations.
Factory technical assistance is also available for specific applications through our Application Engineering department. ext: 7611 | email: appeng@alliedmachine.com

WARNING Tool failure can cause serious injury. To prevent:
-Do not exceed recommended 10xD length to diameter ratio or exceed 4 total components (including shank)
-Refer to example on page B10-N: 8 for calculating length to diameter ratio
Factory technical assistance is available for your specific applications through our Application Engineering department. ext: 7611 | email: appeng@alliedmachine.com

Dual Contact SK Master Shanks (DIN 69871-AD / B-D)



	Taper Size	Connection $D_4 D_3$	Shank		Weight	Part No.
			X_1	L_1		
i	40	50 - 28	1.811	1.059	2.426 (lbs)	353064
	40	63 - 36	2.598	1.846	6.395 (lbs)	353065
	50	50 - 28	1.811	1.059	6.395 (lbs)	353066
	50	63 - 36	2.205	1.453	7.056 (lbs)	353067
	50	80 - 36	2.205	1.453	8.159 (lbs)	353068
	50	100 - 56	3.543	2.791	11.687 (lbs)	353069
m	40	50 - 28	46.00	26.90	1.10 (kg)	353064
	40	63 - 36	66.00	46.90	1.50 (kg)	353065
	50	50 - 28	46.00	26.90	2.90 (kg)	353066
	50	63 - 36	56.00	36.90	3.20 (kg)	353067
	50	80 - 36	56.00	36.90	3.70 (kg)	353068
	50	100 - 56	90.00	70.90	5.30 (kg)	353069



i = Imperial (in)
m = Metric (mm)

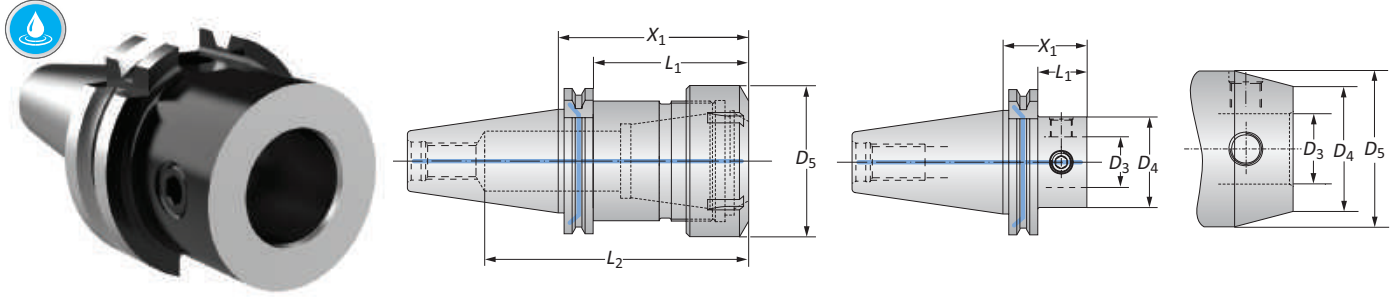
⚠ WARNING Exceeding weight capacity for machine tool spindle and tool changer can cause machine damage, and/or serious injury. To prevent:
 -Consult machine tool builder for machine's weight limitations.
 Factory technical assistance is also available for specific applications through our Application Engineering department. ext: 7611 | email: appeng@alliedmachine.com

⚠ WARNING Tool failure can cause serious injury. To prevent:
 -Do not exceed recommended 10xD length to diameter ratio or exceed 4 total components (including shank)
 -Refer to example on page B10-N: 8 for calculating length to diameter ratio
 Factory technical assistance is available for your specific applications through our Application Engineering department. ext: 7611 | email: appeng@alliedmachine.com

A
B
C
D
E
F
G
H
I
J
K
L
M
N
INDEX

SK Master Shanks (DIN 69871-AD / B-D)

Balanced



Taper Size	Connection D ₄ D ₃	Shank				D ₅	Weight	Part No.
		X ₁	L ₁	L ₂	D ₅			
30	40 - 22	1.811	1.059	-	-	1.103 (lbs)	327001	
30	50 - 28	2.283	-	-	-	1.764 (lbs)	327002	
40	32 - 18	2.165	1.413	-	1.575	2.426 (lbs)	327003	
40	40 - 22	1.811	1.059	-	-	2.205 (lbs)	327004	
40	50 - 28	1.811	1.059	-	-	2.426 (lbs)	327005	
40	63 - 36	2.598	1.846	-	-	3.087 (lbs)	327006	
40	80 - 36	2.598	-	-	-	4.190 (lbs)	327007	
40	ER 40	3.149	2.397	4.566	2.480	2.860 (lbs)	259079*	
50	50 - 28	1.811	1.059	-	-	6.395 (lbs)	327017	
i	50	50 - 28	7.323	6.571	-	2.362	13.230 (lbs)	327025
	50	50 - 28	7.323	6.571	-	-	10.805 (lbs)	327033
	50	63 - 36	2.205	1.453	-	-	7.056 (lbs)	327018
	50	63 - 36	8.110	7.358	-	3.071	19.625 (lbs)	327026
	50	63 - 36	8.110	7.358	-	-	15.215 (lbs)	327034
	50	80 - 36	2.205	1.453	-	-	8.159 (lbs)	327010
	50	80 - 36	10.079	9.327	-	3.543	29.988 (lbs)	327027
	50	100 - 56	3.543	-	-	-	11.687 (lbs)	327011
	50	100 - 56	11.417	10.665	-	-	37.706 (lbs)	327028
	50	ER 40	3.149	2.173	5.275	2.480	6.834 (lbs)	259080*
<hr/>								
	30	40 - 22	46.00	26.90	-	-	0.50 (kg)	327001
	30	50 - 28	58.00	-	-	-	0.80 (kg)	327002
	40	32 - 18	55.00	35.90	-	40.00	1.10 (kg)	327003
	40	40 - 22	46.00	26.90	-	-	1.00 (kg)	327004
	40	50 - 28	46.00	26.90	-	-	1.10 (kg)	327005
	40	63 - 36	66.00	46.90	-	-	1.40 (kg)	327006
	40	80 - 36	66.00	-	-	-	1.90 (kg)	327007
	40	ER 40	80.00	60.90	116.00	63.00	1.30 (kg)	259079*
	50	50 - 28	46.00	26.90	-	-	2.90 (kg)	327017
ii	50	50 - 28	186.00	166.90	-	60.00	6.00 (kg)	327025
	50	50 - 28	186.00	166.90	-	-	4.90 (kg)	327033
	50	63 - 36	56.00	36.90	-	-	3.20 (kg)	327018
	50	63 - 36	206.00	186.90	-	78.00	8.90 (kg)	327026
	50	63 - 36	206.00	186.90	-	-	6.90 (kg)	327034
	50	80 - 36	56.00	36.90	-	-	3.70 (kg)	327010
	50	80 - 36	256.00	236.90	-	90.00	13.60 (kg)	327027
	50	100 - 56	90.00	-	-	-	5.30 (kg)	327011
	50	100 - 56	290.00	270.90	-	-	17.10 (kg)	327028
	50	ER 40	80.00	55.20	134.00	63.00	3.10 (kg)	259080*

NOTE: Balanced refers to a specific residual imbalance of ≤4.00 gmm/kg

*Balanced without clamping nut

⚠ WARNING Exceeding weight capacity for machine tool spindle and tool changer can cause machine damage, and/or serious injury. To prevent:

-Consult machine tool builder for machine's weight limitations.

Factory technical assistance is also available for specific applications through our Application Engineering department. ext: 7611 | email: appeng@alliedmachine.com

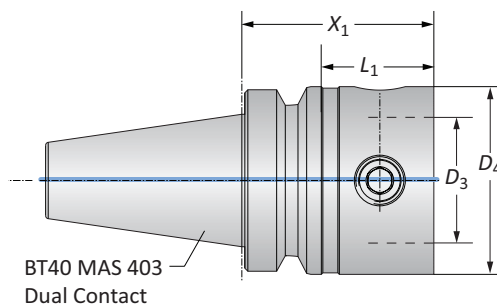
⚠ WARNING Tool failure can cause serious injury. To prevent:

-Do not exceed recommended 10xD length to diameter ratio or exceed 4 total components (including shank)

-Refer to example on page B10-N: 8 for calculating length to diameter ratio

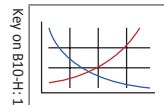
Factory technical assistance is available for your specific applications through our Application Engineering department. ext: 7611 | email: appeng@alliedmachine.com

Dual Contact BT Master Shanks (JIS B 6339)

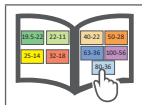


	Taper Size	Connection D_4 D_3	Shank		Weight	Part No.
			X_1	L_1		
i	40	50 - 28	2.126	1.063	2.646 (lbs)	353070
	40	63 - 36	2.520	1.457	3.308 (lbs)	353071
	50	50 - 28	2.559	1.055	8.820 (lbs)	353072
	50	63 - 36	2.953	1.449	9.261 (lbs)	353073
	50	80 - 36	2.953	1.449	10.584 (lbs)	353074
	50	100 - 56	3.543	-	12.128 (lbs)	353075
m	40	50 - 28	54.00	27.00	1.20 (kg)	353070
	40	63 - 36	64.00	37.00	1.50 (kg)	353071
	50	50 - 28	65.00	26.80	4.00 (kg)	353072
	50	63 - 36	75.00	36.80	4.20 (kg)	353073
	50	80 - 36	75.00	36.80	4.80 (kg)	353074
	50	100 - 56	90.00	-	5.50 (kg)	353075

B10-N: 10-13



B10: xii-xiii



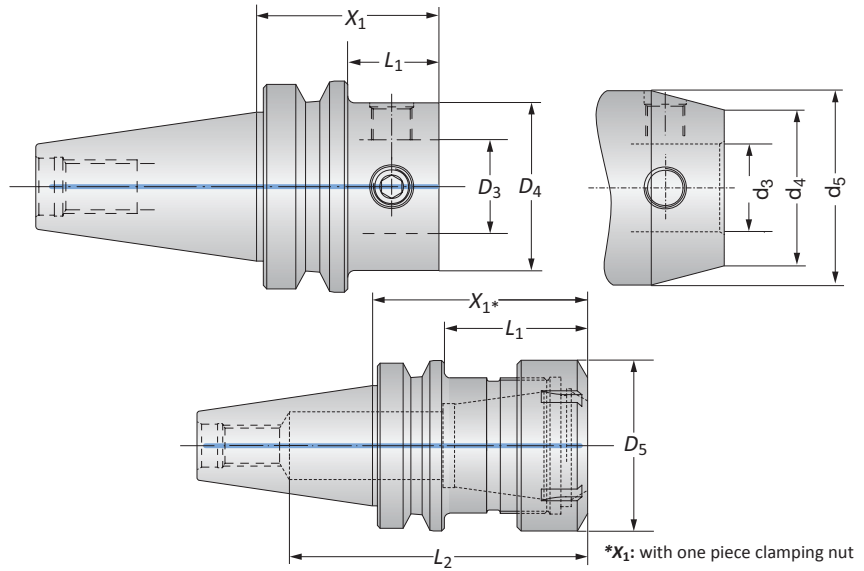
i = Imperial (in)
m = Metric (mm)

⚠ WARNING Exceeding weight capacity for machine tool spindle and tool changer can cause machine damage, and/or serious injury. To prevent:
-Consult machine tool builder for machine's weight limitations.
Factory technical assistance is also available for specific applications through our Application Engineering department. ext: 7611 | email: appeng@alliedmachine.com

⚠ WARNING Tool failure can cause serious injury. To prevent:
-Do not exceed recommended 10xD length to diameter ratio or exceed 4 total components (including shank)
-Refer to example on page B10-N: 8 for calculating length to diameter ratio
Factory technical assistance is available for your specific applications through our Application Engineering department. ext: 7611 | email: appeng@alliedmachine.com

BT Master Shanks (JIS B 6339)

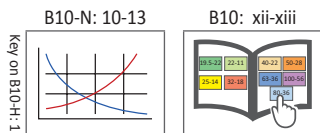
Balanced



Taper Size	Connection	Shank				Weight	Part No.
		D_4 D_3	X_1	L_1	L_2		
30	40 - 22	1.575	0.710	-	-	1.764 (lbs)	327012
30	50 - 28	1.811	-	-	-	1.764 (lbs)	327013
40	40 - 22	1.811	0.750	-	-	2.425 (lbs)	327016
40	50 - 28	2.126	1.060	-	-	3.087 (lbs)	327019
40	63 - 36	2.520	-	-	-	3.528 (lbs)	327020
40	ER 40	2.755	1.692	4.094	2.480	2.645 (lbs)	259081*
50	50 - 28	2.559	1.060	-	-	8.599 (lbs)	327021
50	63 - 36	2.953	1.450	-	-	9.261 (lbs)	327022
50	80 - 36	2.953	1.450	-	-	10.363 (lbs)	327023
50	100 - 56	3.543	-	-	-	12.127 (lbs)	327024
50	ER 40	3.149	1.645	5.314	2.480	8.377 (lbs)	259082*
30	40 - 22	40.00	18.00	-	-	0.80 (kg)	327012
30	50 - 28	46.00	-	-	-	0.80 (kg)	327013
40	40 - 22	46.00	19.00	-	-	1.10 (kg)	327016
40	50 - 28	54.00	27.00	-	-	1.40 (kg)	327019
40	63 - 36	64.00	-	-	-	1.60 (kg)	327020
40	ER 40	70.00	43.00	104.00	63.00	1.20 (kg)	259081*
50	50 - 28	65.00	26.80	-	-	3.90 (kg)	327021
50	63 - 36	75.00	36.80	-	-	4.20 (kg)	327022
50	80 - 36	75.00	36.80	-	-	4.70 (kg)	327023
50	100 - 56	90.00	-	-	-	5.50 (kg)	327024
50	ER 40	80.00	41.80	135.00	63.00	3.80 (kg)	259082*

NOTE: Balanced refers to a specific residual imbalance of ≤ 4.00 gmm/kg

*Balanced without clamping nut



i = Imperial (in)
m = Metric (mm)

WARNING Exceeding weight capacity for machine tool spindle and tool changer can cause machine damage, and/or serious injury. To prevent:

-Consult machine tool builder for machine's weight limitations.

Factory technical assistance is also available for specific applications through our Application Engineering department. ext: 7611 | email: appeng@alliedmachine.com

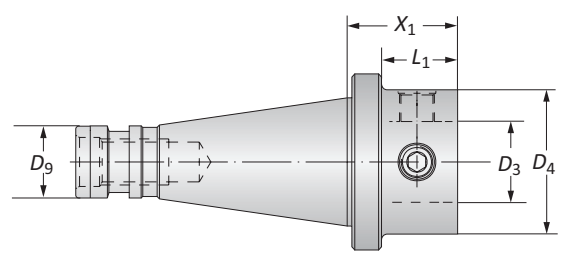
WARNING Tool failure can cause serious injury. To prevent:

-Do not exceed recommended 10xD length to diameter ratio or exceed 4 total components (including shank)

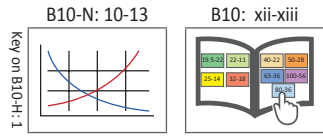
-Refer to example on page B10-N: 8 for calculating length to diameter ratio

Factory technical assistance is available for your specific applications through our Application Engineering department. ext: 7611 | email: appeng@alliedmachine.com

NMTB Master Shanks



	Taper Size	Connection		Shank			Weight	Part No.
		D ₄ D ₃	X ₁	L ₁	D ₉			
i	40	50 - 28	1.496	1.030	5/8 - 11	2.900 (lbs)	132022T004498	
	40	63 - 36	1.890	1.430	5/8 - 11	3.300 (lbs)	132066T004498	
	50	50 - 28	1.654	1.060	1 - 8	6.600 (lbs)	132022T004480	
	50	63 - 36	2.047	1.450	1 - 8	7.700 (lbs)	132066T004480	
	50	80 - 36	2.047	1.450	1 - 8	8.800 (lbs)	132088T004480	
	50	100 - 56	3.543	-	1 - 8	10.800 (lbs)	132076T004480	
m	40	50 - 28	38.00	26.20	5/8 - 11	1.30 (kg)	132022T004498	
	40	63 - 36	48.00	36.20	5/8 - 11	1.50 (kg)	132066T004498	
	50	50 - 28	42.00	26.80	1 - 8	3.00 (kg)	132022T004480	
	50	63 - 36	52.00	36.80	1 - 8	3.50 (kg)	132066T004480	
	50	80 - 36	52.00	36.80	1 - 8	4.00 (kg)	132088T004480	
	50	100 - 56	90.00	-	1 - 8	4.90 (kg)	132076T004480	



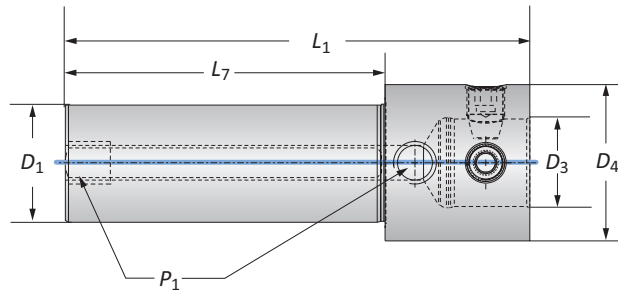
i = Imperial (in)
m = Metric (mm)

⚠ WARNING Exceeding weight capacity for machine tool spindle and tool changer can cause machine damage, and/or serious injury. To prevent:
 -Consult machine tool builder for machine's weight limitations.
 Factory technical assistance is also available for specific applications through our Application Engineering department. ext: 7611 | email: appeng@alliedmachine.com

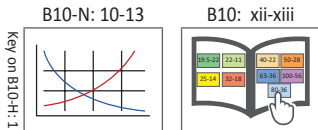
⚠ WARNING Tool failure can cause serious injury. To prevent:
 -Do not exceed recommended 10xD length to diameter ratio or exceed 4 total components (including shank)
 -Refer to example on page B10-N: 8 for calculating length to diameter ratio
 Factory technical assistance is available for your specific applications through our Application Engineering department. ext: 7611 | email: appeng@alliedmachine.com

A
B
C
D
E
F
G
H
I
J
K
L
M
N
INDEX

Imperial Straight Master Shanks



Connection	Shank					Weight	Part No.
	$D_4 D_3$	L_7	D_1	P_1	L_1		
40 - 22	3-½	1-¼	¼-27 NPTF	5.080	1.764 (lbs)	K71547	
50 - 28	4	1-½	¼-18 NPTF	5.810	3.086 (lbs)	K71548	
63 - 36	4-½	2	¼-18 NPTF	6.700	5.952 (lbs)	K71549	
80 - 36	4-½	2	¼-18 NPTF	6.700	7.716 (lbs)	K71550	

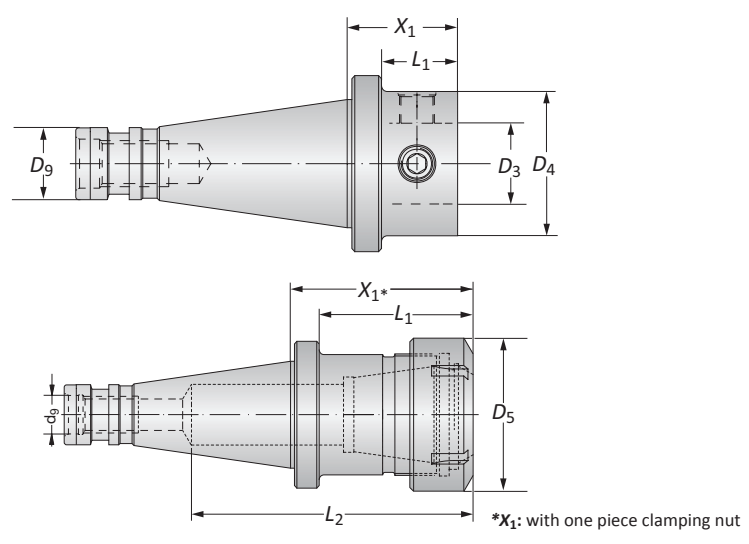


i = Imperial (in)
m = Metric (mm)

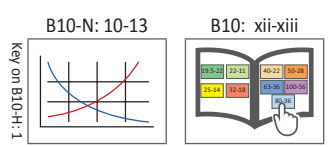
⚠ WARNING Exceeding weight capacity for machine tool spindle and tool changer can cause machine damage, and/or serious injury. To prevent:
 -Consult machine tool builder for machine's weight limitations.
 Factory technical assistance is also available for specific applications through our Application Engineering department. ext: 7611 | email: appeng@alliedmachine.com

⚠ WARNING Tool failure can cause serious injury. To prevent:
 -Do not exceed recommended 10xD length to diameter ratio or exceed 4 total components (including shank)
 -Refer to example on page B10-N: 8 for calculating length to diameter ratio
 Factory technical assistance is available for your specific applications through our Application Engineering department. ext: 7611 | email: appeng@alliedmachine.com

DIN 2080 Master Shanks



	Taper Size	Connection		Shank			Weight	Part No.	
		D ₄ D ₃	X ₁	L ₁	L ₂	D ₅			D ₉
i	40	50 - 28	1.496	1.031	-	-	M16	2.866 (lbs)	132022T010299
	40	63 - 36	1.889	1.425	-	-	M16	3.306 (lbs)	132066T010299
	50	50 - 28	1.653	1.055	-	-	M24	6.613 (lbs)	132022T003704
	50	63 - 36	2.047	1.448	-	-	M24	7.716 (lbs)	132066T003704
	50	80 - 36	2.047	1.448	-	-	M24	8.818 (lbs)	132088T003704
	50	100 - 56	3.543	-	-	-	M24	10.800 (lbs)	132076T003704
	50	ER 40	3.149	1.645	5.314	2.480	M24	7.275 (lbs)	259084
m	40	50 - 28	38.00	26.20	-	-	M16	1.30 (kg)	132022T010299
	40	63 - 36	48.00	36.20	-	-	M16	1.50 (kg)	132066T010299
	50	50 - 28	42.00	26.80	-	-	M24	3.00 (kg)	132022T003704
	50	63 - 36	52.00	36.80	-	-	M24	3.50 (kg)	132066T003704
	50	80 - 36	52.00	36.80	-	-	M24	4.00 (kg)	132088T003704
	50	100 - 56	90.00	-	-	-	M24	4.90 (kg)	132076T003704
	50	ER 40	80.00	41.80	135.00	63.00	M24	3.30 (kg)	259084



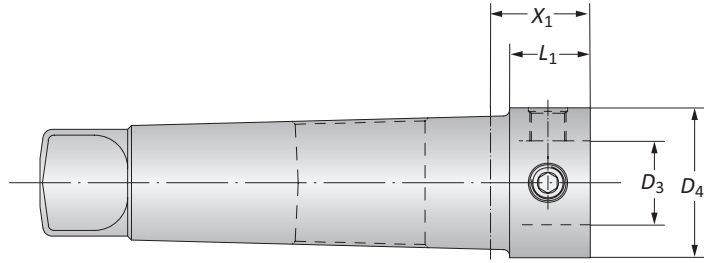
i = Imperial (in)
m = Metric (mm)

⚠ WARNING Exceeding weight capacity for machine tool spindle and tool changer can cause machine damage, and/or serious injury. To prevent:
 -Consult machine tool builder for machine's weight limitations.
 Factory technical assistance is also available for specific applications through our Application Engineering department. ext: 7611 | email: appeng@alliedmachine.com

⚠ WARNING Tool failure can cause serious injury. To prevent:
 -Do not exceed recommended 10xD length to diameter ratio or exceed 4 total components (including shank)
 -Refer to example on page B10-N: 8 for calculating length to diameter ratio
 Factory technical assistance is available for your specific applications through our Application Engineering department. ext: 7611 | email: appeng@alliedmachine.com

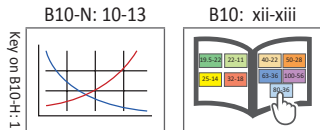
A
B
C
D
E
F
G
H
I
J
K
L
M
N
INDEX

DIN 1806 Morse Taper Master Shanks



DIN 1806 Master Shanks

	Morse Taper Size	Connection $D_4 D_3$	Shank		Weight	Part No.
			X_1	L_1		
i	4	50 - 28	1.693	1.440	2.425 (lbs)	132022T003590
	5	50 - 28	1.299	1.050	3.968 (lbs)	132022T003920
	5	63 - 36	2.087	1.840	4.850 (lbs)	132066T003920
m	4	50 - 28	43.00	36.50	1.09 (kg)	132022T003590
	5	50 - 28	33.00	26.70	1.79 (kg)	132022T003920
	5	63 - 36	53.00	46.70	2.19 (kg)	132066T003920

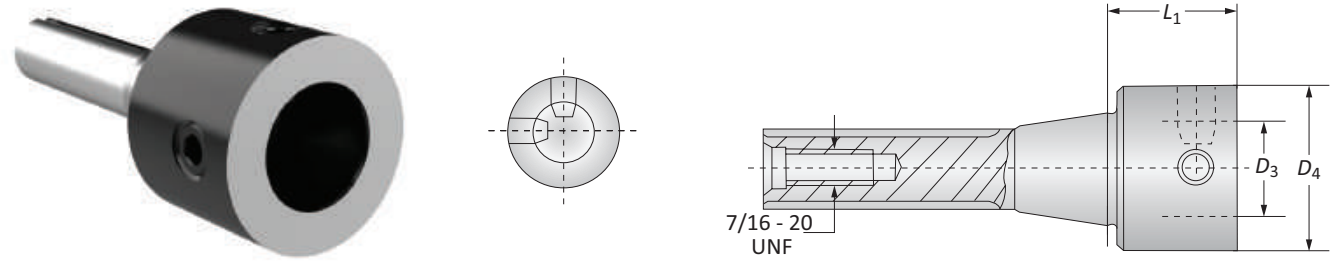


i = Imperial (in)
m = Metric (mm)

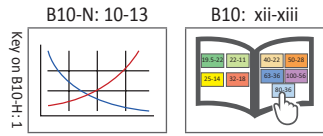
WARNING Exceeding weight capacity for machine tool spindle and tool changer can cause machine damage, and/or serious injury. To prevent:
 -Consult machine tool builder for machine's weight limitations.
 Factory technical assistance is also available for specific applications through our Application Engineering department. ext: 7611 | email: appeng@alliedmachine.com

WARNING Tool failure can cause serious injury. To prevent:
 -Do not exceed recommended 10xD length to diameter ratio or exceed 4 total components (including shank)
 -Refer to example on page B10-N: 8 for calculating length to diameter ratio
 Factory technical assistance is available for your specific applications through our Application Engineering department. ext: 7611 | email: appeng@alliedmachine.com

R8 Master Shanks



	Connection $D_4 D_3$	Shank L_1	Weight	Part No.
i	50 - 28	1.770	2.204 (lbs)	132022T007166
	63 - 36	2.362	2.866 (lbs)	132066T007166
m	50 - 28	45.00	1.00 (kg)	132022T007166
	63 - 36	60.00	1.30 (kg)	132066T007166



i = Imperial (in)
m = Metric (mm)

⚠ WARNING Exceeding weight capacity for machine tool spindle and tool changer can cause machine damage, and/or serious injury. To prevent:
 -Consult machine tool builder for machine's weight limitations.
 Factory technical assistance is also available for specific applications through our Application Engineering department. ext: 7611 | email: appeng@alliedmachine.com

⚠ WARNING Tool failure can cause serious injury. To prevent:
 -Do not exceed recommended 10xD length to diameter ratio or exceed 4 total components (including shank)
 -Refer to example on page B10-N: 8 for calculating length to diameter ratio
 Factory technical assistance is available for your specific applications through our Application Engineering department. ext: 7611 | email: appeng@alliedmachine.com

A
B
C
D
E
F
G
H
I
J
K
L
M
N
INDEX

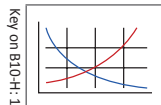
Mounting Fixtures



Mounting Fixture		
Code	Type	Part No.
Basic Body*	-	098060
Adapter	30 Taper	098073
Adapter	40 Taper	098061
Adapter	50 Taper	098062
Adapter	HSK-A 32	098063
Adapter	HSK-A 40	098064
Adapter	HSK-A 50	098065
Adapter	HSK-A 63	098066
Adapter	HSK-A 80	098067
Adapter	HSK-A 100	098068
Adapter	PSC 50	098069
Adapter	PSC 63	098070
Adapter	PSC 80	098071

*Basic body and adapters sold separately

B10-N: 10-13



B10: xii-xiii



i = Imperial (in)
m = Metric (mm)

WARNING Exceeding weight capacity for machine tool spindle and tool changer can cause machine damage, and/or serious injury. To prevent:
-Consult machine tool builder for machine's weight limitations.
Factory technical assistance is also available for specific applications through our Application Engineering department. ext: 7611 | email: appeng@alliedmachine.com

WARNING Tool failure can cause serious injury. To prevent:
-Do not exceed recommended 10xD length to diameter ratio or exceed 4 total components (including shank)
-Refer to example on page B10-N: 8 for calculating length to diameter ratio
Factory technical assistance is available for your specific applications through our Application Engineering department. ext: 7611 | email: appeng@alliedmachine.com



Notes

Grid area for notes, consisting of a large grid of empty cells for writing.

A

B

C

D

E

F

G

H

I

J

K

L

M

N

INDEX

SECTION

B10-I

Clamping Tools

Wohlhaupter® Clamping Tools

Adapter Sleeves | Drill Chucks | Collet Chucks | Milling Arbors | Holding Arbors | Hydraulic Clamping Chucks
Tapping Chucks | Boring Bar Blanks



Clamping Tools with MVS Connection

Wohlhaupter offers a complete range of tool holders that incorporates the MVS connection. Our clamping tools allow for smaller MVS tools to connect and provide a quick and inexpensive alternative to special tooling. The clamping tools also feature coolant through capabilities.

Your safety and the safety of others is very important. This catalog contains important safety messages. Always read and follow all safety precautions.



This triangle is a safety hazard symbol. It alerts you to potential safety hazards that can cause tool failure and serious injury.

When you see this symbol in the catalog, look for a related safety message that may be near this triangle or referred to in the nearby text.

There are safety signal words also used in the catalog. Safety messages follow these words.

 **WARNING**

WARNING (shown above) means that failure to follow the precautions in this message could result in tool failure and serious injury.

NOTICE means that failure to follow the precautions in this message could result in damage to the tool or machine but not result in personal injury.

NOTE and **IMPORTANT** are also used. These are important that you read and follow but are not safety-related.

Visit www.alliedmachine.com for the most up-to-date information and procedures.

Applicable Industries



Aerospace



Agriculture



Automotive



Firearms



General
Machining



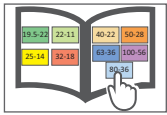
Oil & Gas



Renewable
Energy

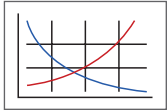
Reference Icons

The following icons will appear throughout the catalog to help you navigate between products.



MVS Connection Color Guide

Detailed instructions and information regarding the MVS connection(s)



Recommended Cutting Data

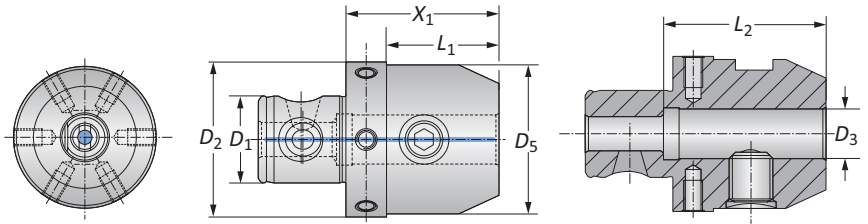
Speed and feed recommendations for optimum and safe boring

Clamping Tools Table of Contents

Adapter Sleeves for Cylindrical Shanks	2 - 3
Drill Chucks	4
Collet Chucks	5
Milling Machine Arbors	6
Holding Arbors for Milling Cutters	7
Clamping Chucks	8
Boring Bar Blanks	9
Accessories for Adapter Sleeves	10 - 12
Accessories for Drill Chucks	13
Accessories for Collet Chucks	14 - 31
Sealing Disks for Collet Chucks	32 - 35
Accessories for Milling Machine Arbors	36
Reducing Sleeves for Hydraulic Clamping Chucks	37
Quick Change Adapters	38 - 41
Service Keys for Collet Systems	42

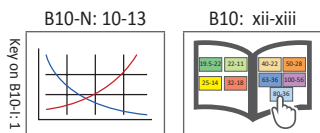
Imperial | Adapter Side Lock for Cylindrical Shanks DIN 1835B

Clamping Diameter Range: 0.236" - 1.575" (6.00mm - 40.00mm)



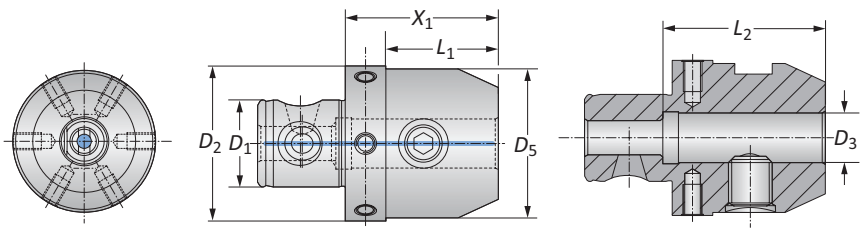
MVS Connection	Clamping Range	Adapter Sleeve				Weight	Thread Precision	Part No.
		D_2 D_1	D_3	X_1	L_1			
32 - 18	0.236	1.417	0.906	1.575	0.984	0.441 (lbs)	M 5x6	228022
32 - 18	0.315	1.417	0.906	1.575	1.102	0.441 (lbs)	M 5x6	228023
32 - 18	0.394	1.890	-	1.732	1.378	0.661 (lbs)	M 5x6	228024
40 - 22	0.472	2.047	-	1.929	1.654	1.102 (lbs)	M 5x8	228025
40 - 22	0.551	2.126	-	1.929	1.732	1.323 (lbs)	M 5x8	228026
50 - 28	0.236	1.417	0.906	1.575	0.984	0.882 (lbs)	M 6x10	162015
50 - 28	0.315	1.417	0.906	1.575	1.102	0.882 (lbs)	M 6x10	162015
50 - 28	0.394	1.732	1.220	1.732	1.378	1.102 (lbs)	M 6x10	162017
50 - 28	0.472	1.732	1.220	1.929	1.654	1.102 (lbs)	M 6x10	162018
50 - 28	0.630	1.929	1.417	2.047	1.890	2.205 (lbs)	M 6x10	162019
50 - 28	0.709	1.929	1.417	2.047	1.890	2.205 (lbs)	M 6x10	228014
50 - 28	0.787	2.362	-	2.126	2.047	2.646 (lbs)	M 6x10	162020
63 - 36	0.787	1.929	1.417	2.126	2.047	2.425 (lbs)	M 6x10	161024
63 - 36	0.984	2.953	-	2.323	2.480	4.189 (lbs)	M 6x15	161026
63 - 36	1.260	2.953	-	2.480	2.835	4.851 (lbs)	M 6x15	161027
80 - 36	1.575	3.346	-	2.874	3.150	5.512 (lbs)	M 6x15	161028

NOTE: Balanced 10 gmm/kg



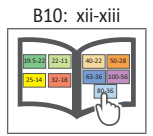
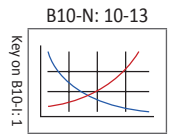
i = Imperial (in)
m = Metric (mm)

Metric | Adapter Side Lock for Cylindrical Shanks DIN 1835E



MVS Connection	Clamping Range	Adapter Sleeve				Weight	Thread Precision	Part No.	
		D_2 D_1	D_3	X_1	L_1				L_2
m	32 - 18	6.00	36.00	23.00	40.00	25.00	0.20 (kg)	M 5x6	228022
	32 - 18	8.00	36.00	23.00	40.00	28.00	0.20 (kg)	M 5x6	228023
	32 - 18	10.00	48.00	-	44.00	35.00	0.30 (kg)	M 5x6	228024
	40 - 22	12.00	52.00	-	49.00	42.00	0.50 (kg)	M 5x8	228025
	40 - 22	14.00	54.00	-	49.00	44.00	0.60 (kg)	M 5x8	228026
	50 - 28	6.00	36.00	23.00	40.00	25.00	0.40 (kg)	M 6x10	162015
	50 - 28	8.00	36.00	23.00	40.00	28.00	0.40 (kg)	M 6x10	162015
	50 - 28	10.00	44.00	31.00	44.00	35.00	0.50 (kg)	M 6x10	162017
	50 - 28	12.00	44.00	31.00	49.00	42.00	0.50 (kg)	M 6x10	162018
	50 - 28	16.00	49.00	36.00	52.00	48.00	1.00 (kg)	M 6x10	162019
	50 - 28	18.00	49.00	36.00	52.00	48.00	1.00 (kg)	M 6x10	228014
	50 - 28	20.00	60.00	-	54.00	52.00	1.20 (kg)	M 6x10	162020
	63 - 36	20.00	49.00	36.00	54.00	52.00	1.10 (kg)	M 6x10	161024
	63 - 36	25.00	75.00	-	59.00	63.00	1.90 (kg)	M 6x15	161026
	63 - 36	32.00	75.00	-	63.00	72.00	2.20 (kg)	M 6x15	161027
	80 - 36	40.00	85.00	-	73.00	80.00	2.50 (kg)	M 6x15	161028

NOTE: Balanced 10 gmm/kg

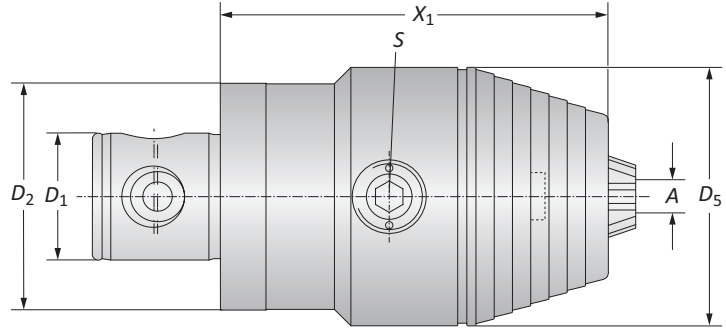


i = Imperial (in)
m = Metric (mm)

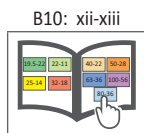
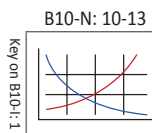
A
B
C
D
E
F
G
H
I
J
K
L
M
N
INDEX

Drill Chucks for Clockwise & Counterclockwise Rotation

Clamping Diameter Range: 0.019" - 0.629" (0.50mm - 16.00mm)



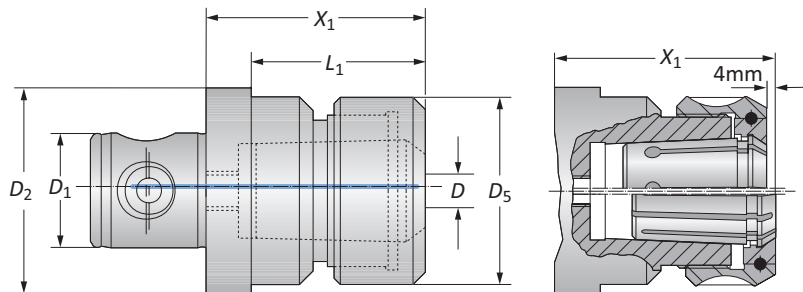
	MVS Connection	Clamping Range	Drill Chuck			Weight	Part No.
	$D_2 \mid D_1$		X_1	D_5	S		
i	50 - 28	0.019 - 0.511	3.150	1.969	s6 / B	2.425 (lbs)	209088
	50 - 28	0.098 - 0.629	3.346	2.244	s6 / B	2.866 (lbs)	209089
	63 - 36	0.019 - 0.511	3.150	1.969	s6 / B	2.866 (lbs)	209090
	63 - 36	0.098 - 0.629	3.346	2.244	s6 / B	3.307 (lbs)	209091
m	50 - 28	0.50 - 13.00	80.00	50.00	s6 / B	1.10 (kg)	209088
	50 - 28	2.50 - 16.00	85.00	57.00	s6 / B	1.30 (kg)	209089
	63 - 36	0.50 - 13.00	80.00	50.00	s6 / B	1.30 (kg)	209090
	63 - 36	2.50 - 16.00	85.00	57.00	s6 / B	1.50 (kg)	209091



i = Imperial (in)
m = Metric (mm)

Collet Chucks ISO 10898 (DIN 6388) | ISO 15488 (DIN 6499)

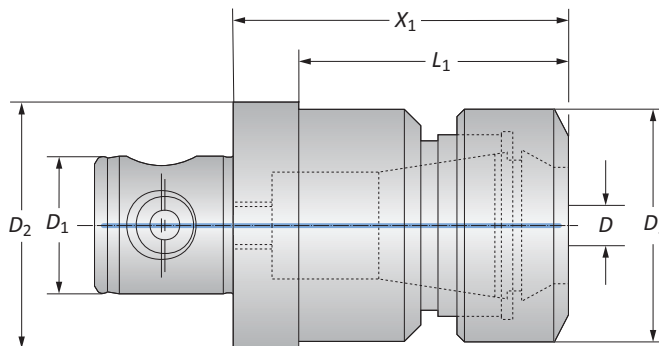
Clamping Diameter Range: 0.078" - 1.259" (2.00mm - 32.00mm)



Collet Chucks ISO 10897 (DIN 6388) | Diameter Range: 0.078" - 1.259" (2.00mm - 32.00mm)

MVS Connection	Clamping Range	Nominal Size	Collet Chuck			Weight	Part No.	
			D_2 D_1	D	X_1^*			L_1
i	40 - 22	0.078 - 0.629	16	2.520	-	1.693	1.102 (lbs)	209082
	50 - 28	0.078 - 0.629	16	2.480	1.968	1.693	1.984 (lbs)	162011
	50 - 28	0.078 - 0.984	25	2.913	-	2.362	2.205 (lbs)	209083
	63 - 36	0.078 - 0.984	25	2.913	-	2.362	3.087 (lbs)	161016
	63 - 36	0.157 - 1.259	32	3.504	-	2.835	3.969 (lbs)	161098
m	40 - 22	2.00 - 16.00	16	64.00	-	43.00	0.50 (kg)	209082
	50 - 28	2.00 - 16.00	16	63.00	50.00	43.00	0.90 (kg)	162011
	50 - 28	2.00 - 25.00	25	74.00	-	60.00	1.00 (kg)	209083
	63 - 36	2.00 - 25.00	25	74.00	-	60.00	1.40 (kg)	161016
	63 - 36	4.00 - 32.00	32	89.00	-	72.00	1.80 (kg)	161098

* X_1 Clamping nut with ball-bearing



Collet Chucks ISO 15488 (DIN 6499) | Diameter Range: 0.039" - 1.023" (1.00mm - 26.00mm)

MVS Connection	Clamping Range	Nominal Size	Collet Chuck			Weight	Part No.	
			D_2 D_1	D	X_1^*			L_1
i	32 - 18	0.039 - 0.393	ER 16	2.125	1.614	1.102	0.441 (lbs)	228020
	40 - 22	0.078 - 0.629	ER 25	2.953	-	1.654	1.323 (lbs)	228021
	50 - 28	0.078 - 0.629	ER 25	2.953	2.441	1.654	1.764 (lbs)	228003
	50 - 28	0.078 - 0.787	ER 32	2.992	-	1.969	1.764 (lbs)	228004
	63 - 36	0.078 - 0.787	ER 32	2.992	2.480	1.969	2.646 (lbs)	228007
	63 - 36	0.157 - 1.023	ER 40	3.465	-	2.480	2.646 (lbs)	228006
m	32 - 18	1.00 - 10.00	ER 16	54.00	4100	28.00	0.20 (kg)	228020
	40 - 22	2.00 - 16.00	ER 25	75.00	-	42.00	0.60 (kg)	228021
	50 - 28	2.00 - 16.00	ER 25	75.00	62.00	42.00	0.80 (kg)	228003
	50 - 28	2.00 - 20.00	ER 32	76.00	-	50.00	0.80 (kg)	228004
	63 - 36	2.00 - 20.00	ER 32	76.00	63.00	50.00	1.20 (kg)	228007
	63 - 36	4.00 - 26.00	ER 40	88.00	-	63.00	1.20 (kg)	228006

* X_1 Clamping nut with sliding ring

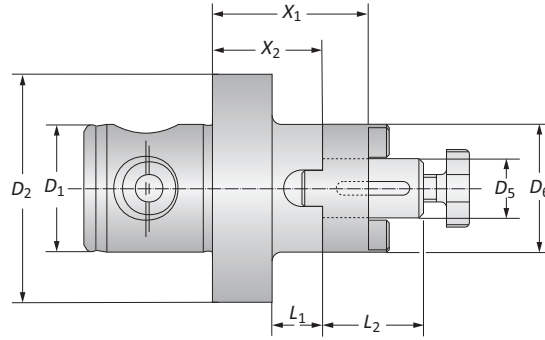
B10-N: 10-13

B10: xii-xiii

i = Imperial (in)
m = Metric (mm)

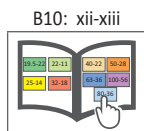
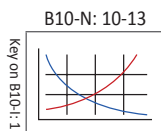
Milling Machine Arbors

For Milling Cutters with Longitudinal or Transverse Drive | Shell Mill Adapter Range: 0.512" - 1.575" (13.00mm - 40.00mm)



	MVS Connection	Adapter Range	Milling Arbor				Weight	Part No.	
	$D_2 D_1$	D_5	X_1	X_2	L_1	L_2			D_6
i	50 - 28	0.512	1.339	0.945	0.433	0.866	1.024	0.882 (lbs)	162002
	50 - 28	0.630	1.575	1.181	0.669	1.063	1.260	1.102 (lbs)	162003
	50 - 28	0.866	1.575	1.102	0.591	1.220	1.575	1.323 (lbs)	162004
	63 - 36	0.630	1.575	1.181	0.669	1.063	1.260	1.764 (lbs)	161002
	63 - 36	0.866	1.575	1.102	0.591	1.220	1.575	1.984 (lbs)	161003
	63 - 36	1.063	1.575	1.102	0.591	1.299	1.890	2.425 (lbs)	161004
	63 - 36	1.260	1.575	1.024	0.512	1.496	2.283	2.866 (lbs)	161005
	80 - 36	1.575	2.087	1.535	-	1.614	2.756*	5.733 (lbs)	161006
m	50 - 28	13.00	34.00	24.00	11.00	22.00	26.00	0.40 (kg)	162002
	50 - 28	16.00	40.00	30.00	17.00	27.00	32.00	0.50 (kg)	162003
	50 - 28	22.00	40.00	28.00	15.00	31.00	40.00	0.60 (kg)	162004
	63 - 36	16.00	40.00	30.00	17.00	27.00	32.00	0.80 (kg)	161002
	63 - 36	22.00	40.00	28.00	15.00	31.00	40.00	0.90 (kg)	161003
	63 - 36	27.00	40.00	28.00	15.00	33.00	48.00	1.10 (kg)	161004
	63 - 36	32.00	40.00	26.00	13.00	38.00	58.00	1.30 (kg)	161005
	80 - 36	40.00	53.00	39.00	-	41.00	70.00*	2.60 (kg)	161006

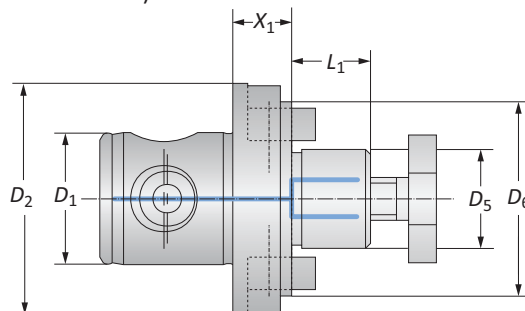
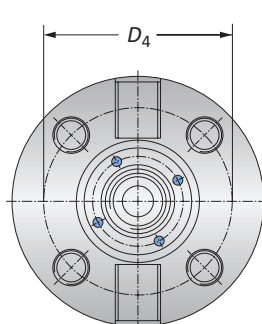
*Ø 2.756" (70.00mm) with clutch drive ring



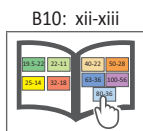
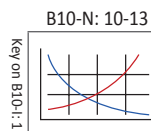
i = Imperial (in)
m = Metric (mm)

Holding Arbors for Milling Cutters

Central Coolant Feed | Shell Mill Adapter Range: 0.630" - 1.575" (16.00mm - 40.00mm)



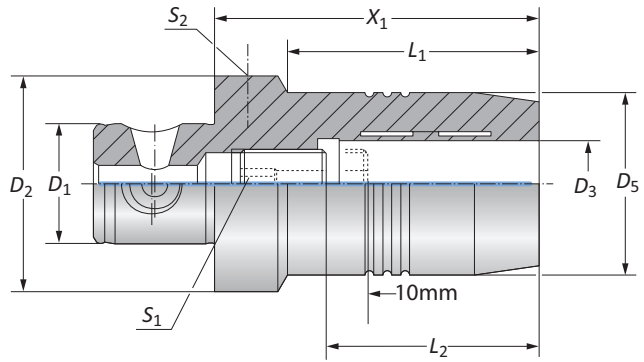
	MVS Connection	Adapter Range	Holding Arbor				Weight	Part No.
	D_2 D_1		D_5	X_1	L_1	D_4		
i	50 - 28	0.630	0.630	0.669	-	1.575	0.882 (lbs)	162032
	50 - 28	0.866	0.630	0.748	-	1.969	1.102 (lbs)	162033
	63 - 36	1.063	0.630	0.827	-	2.362	1.764 (lbs)	161082
	80 - 36	1.260	0.630	0.945	-	3.071	2.425 (lbs)	209080
	80 - 36	1.575	0.748	1.063	2.626	3.504	3.307 (lbs)	209081
m	50 - 28	16.00	16.00	17.00	-	40.00	0.40 (kg)	162032
	50 - 28	22.00	16.00	19.00	-	50.00	0.50 (kg)	162033
	63 - 36	27.00	16.00	21.00	-	60.00	0.80 (kg)	161082
	80 - 36	32.00	16.00	24.00	-	78.00	1.10 (kg)	209080
	80 - 36	40.00	19.00	27.00	66.70	89.00	1.50 (kg)	209081



i = Imperial (in)
m = Metric (mm)

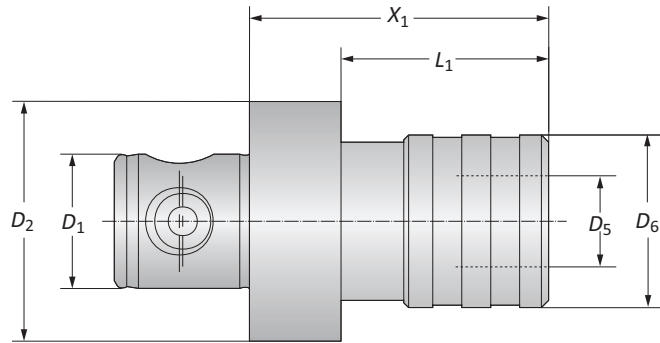
Clamping Chucks | Tapping Chucks

Clamping Range: 0.787" (20.00mm)



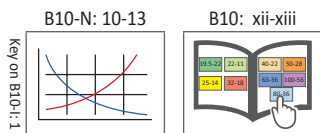
Coolant Through Hydraulic Clamping Chucks

	MVS Connection	Clamping Range	Clamping Chuck						Weight	Part No.
	$D_2 D_1$	D_3	X_1	D_5	L_1	L_2	S_1	S_2		
i	50 - 28	0.787	2.953	1.654	2.283	2.008	s6	s5	1.764 (lbs)	209044
	63 - 36	0.787	2.953	1.654	2.283	2.008	s5	s5	2.425 (lbs)	209045
m	50 - 28	20.00	75.00	42.00	58.00	51.00	s6	s5	0.80 (kg)	209044
	63 - 36	20.00	75.00	42.00	58.00	51.00	s5	s5	1.10 (kg)	209045



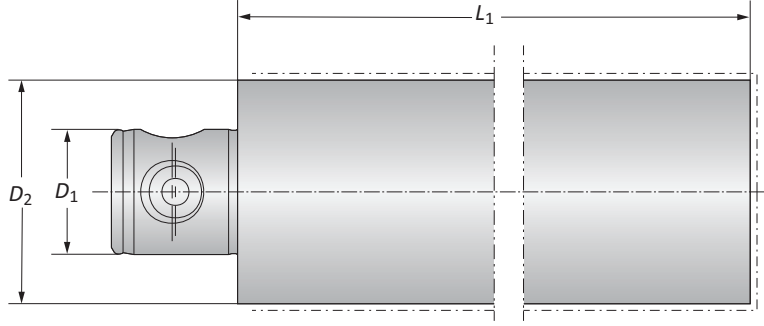
Tapping Chucks (Non-Coolant)

	MVS Connection	Quick Change Adapters		Tapping Chucks				Length Compensation		Weight	Part No.
	$D_2 D_1$	For Taps	Nominal Size	X_1	L_1	D_5	D_6	Pressure	Tension		
i	50 - 28	M 3 - M 12	1	2.441	1.929	0.748	1.634	0.295	0.295	1.543 (lbs)	209098
	50 - 28	M 6 - M 20	2	3.701	-	1.220	2.374	0.394	0.394	2.425 (lbs)	209099
	63 - 36	M 3 - M 12	1	2.205	1.693	0.748	1.634	0.295	0.295	1.764 (lbs)	231005
	80 - 36	M 6 - M 20	2	3.150	2.638	1.220	2.374	0.394	0.394	2.866 (lbs)	231006
	80 - 36	M 14 - M 33	3	5.984	-	1.890	3.386	0.689	0.689	9.040 (lbs)	231007
m	50 - 28	M 3 - M 12	1	62.00	49.00	19.00	41.50	7.50	7.50	0.70 (kg)	209098
	50 - 28	M 6 - M 20	2	94.00	-	31.00	60.30	10.00	10.00	1.10 (kg)	209099
	63 - 36	M 3 - M 12	1	56.00	43.00	19.00	41.50	7.50	7.50	0.80 (kg)	231005
	80 - 36	M 6 - M 20	2	80.00	67.00	31.00	60.30	10.00	10.00	1.30 (kg)	231006
	80 - 36	M 14 - M 33	3	152.00	-	48.00	86.00	17.50	17.50	4.10 (kg)	231007

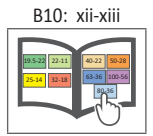
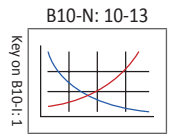


i = Imperial (in)
m = Metric (mm)

Boring Bar Blanks



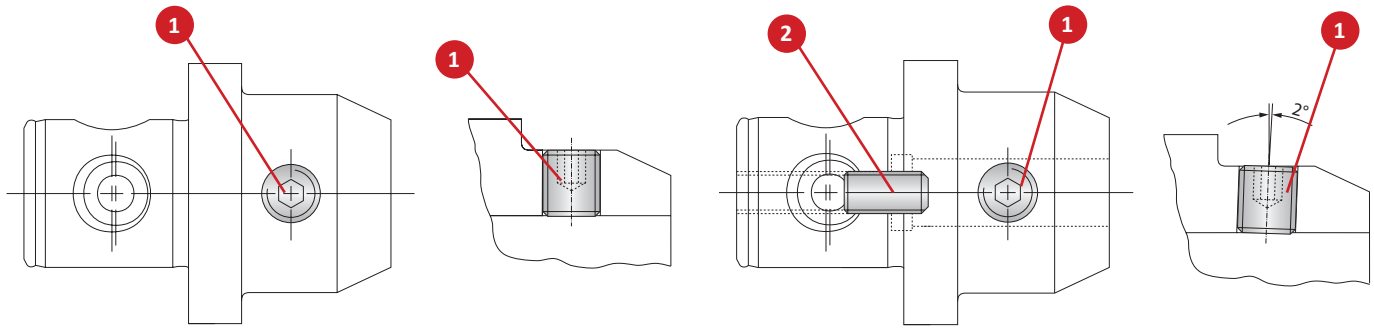
	MVS Connection	Boring Bar Blanks	Weight	Part No.
	$D_2 D_1$	L_1		
i	50 - 28	6.299	5.733 (lbs)	166103
	63 - 36	6.299	9.261 (lbs)	166104
	80 - 36	6.299	14.550 (lbs)	166105
m	50 - 28	160.00	2.60 (kg)	166103
	63 - 36	160.00	4.20 (kg)	166104
	80 - 36	160.00	6.60 (kg)	166105



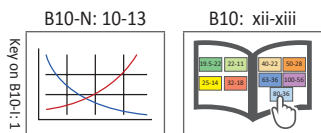
i = Imperial (in)
m = Metric (mm)

A
B
C
D
E
F
G
H
I
J
K
L
M
N
INDEX

Accessories for Adapter Sleeves



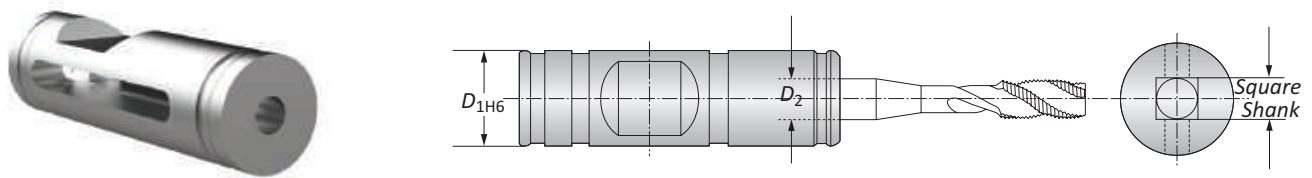
Clamping Diameter	1 Thread Pin		2 Thread Pin		
	Part No.	Service Key	Part No.	Service Key	Thread
0.236	115680	s3 / B	415562	s2.5 / B	M 5
0.315	115681	s4 / B	215863	s3 / B	M 6
0.394	115682	s5 / B	215863	s3 / B	M 6
0.472	115683	s6 / B	415563	s4 / B	M 8
0.551	115683	s6 / B	415563	s4 / B	M 8
0.630	115684	s6 / B	215849	s5 / B	M 10
0.709	115684	s6 / B	215849	s5 / B	M 10
i 0.787	115685	s8 / B	215849	s5 / B	M 10
0.787	115685	s8 / B	215865	s8 / B	M 16
0.984	115686	s10 / B	215527	s5 / B	M 10
0.984	115686	s10 / B	215865	s8 / B	M 16
1.260	115687	s10 / B	215527	s5 / B	M 10
1.260	115687	s10 / B	215865	s8 / B	M 16
1.575	115687	s10 / B	215527	s5 / B	M 10
1.575	115687	s10 / B	215865	s8 / B	M 16
<hr/>					
6.00	115680	s3 / B	415562	s2.5 / B	M 5
8.00	115681	s4 / B	215863	s3 / B	M 6
10.00	115682	s5 / B	215863	s3 / B	M 6
12.00	115683	s6 / B	415563	s4 / B	M 8
14.00	115683	s6 / B	415563	s4 / B	M 8
16.00	115684	s6 / B	215849	s5 / B	M 10
18.00	115684	s6 / B	215849	s5 / B	M 10
m 20.00	115685	s8 / B	215849	s5 / B	M 10
20.00	115685	s8 / B	215865	s8 / B	M 16
25.00	115686	s10 / B	215527	s5 / B	M 10
25.00	115686	s10 / B	215865	s8 / B	M 16
32.00	115687	s10 / B	215527	s5 / B	M 10
32.00	115687	s10 / B	215865	s8 / B	M 16
40.00	115687	s10 / B	215527	s5 / B	M 10
40.00	115687	s10 / B	215865	s8 / B	M 16



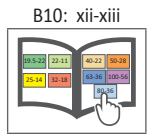
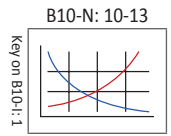
i = Imperial (in)
m = Metric (mm)

Accessories for Adapter Sleeves

Adapter Sleeve for Tap Shanks Suitable for Reduction Sleeves



Adapter Sleeves			
D_{1H6}	D_2 x Square Shank	Part No.	
i	0.315	0.082 x 0.098	271190
	0.315	0.082 x 0.110	271191
	0.394	0.106 x 0.137	271192
	0.394	0.118 x 0.157	271193
	0.394	0.133 x 0.177	271194
	0.472	0.192 x 0.236	271195
	0.551	0.216 x 0.275	271196
	0.551	0.244 x 0.314	271197
	0.630	0.275 x 0.354	271198
	0.630	0.314 x 0.393	271199
	0.709	0.354 x 0.433	271200
	0.787	0.354 x 0.472	271201
	0.984	0.433 x 0.551	271202
	0.984	0.472 x 0.629	271203
	1.260	0.570 x 0.708	271204
	1.260	0.629 x 0.787	271205
	1.260	0.708 x 0.866	271206
	1.575	0.866 x 0.984	271207
	1.575	0.866 x 1.102	271208
1.969	0.944 x 1.259	271209	
1.969	1.141 x 1.417	271210	
1.969	1.259 x 1.574	271211	
m	8.00	2.10 x 2.50	271190
	8.00	2.10 x 2.80	271191
	10.00	2.70 x 3.50	271192
	10.00	3.00 x 4.00	271193
	10.00	3.40 x 4.50	271194
	12.00	4.90 x 6.00	271195
	14.00	5.50 x 7.00	271196
	14.00	6.20 x 8.00	271197
	16.00	7.00 x 9.00	271198
	16.00	8.00 x 10.00	271199
	18.00	9.00 x 11.00	271200
	20.00	9.00 x 12.00	271201
	25.00	11.00 x 14.00	271202
	25.00	12.00 x 16.00	271203
	32.00	14.50 x 18.00	271204
	32.00	16.00 x 20.00	271205
	32.00	18.00 x 22.00	271206
	40.00	22.00 x 25.00	271207
	40.00	22.00 x 28.00	271208
50.00	24.00 x 32.00	271209	
50.00	29.00 x 36.00	271210	
50.00	32.00 x 40.00	271211	

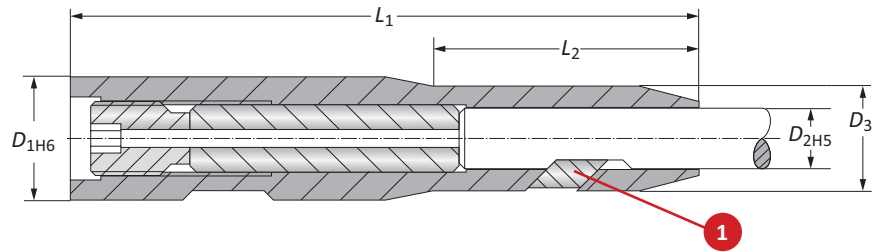


i = Imperial (in)
m = Metric (mm)

A
B
C
D
E
F
G
H
I
J
K
L
M
N
INDEX

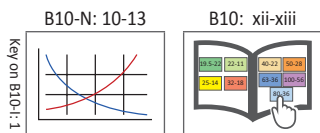
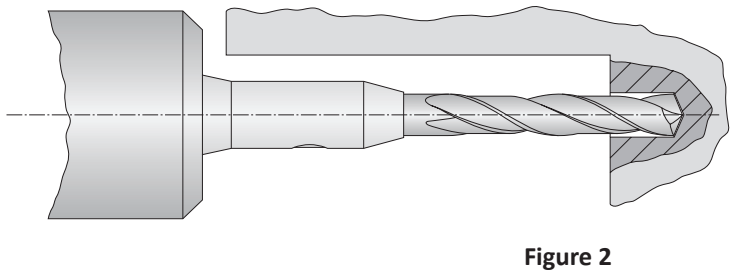
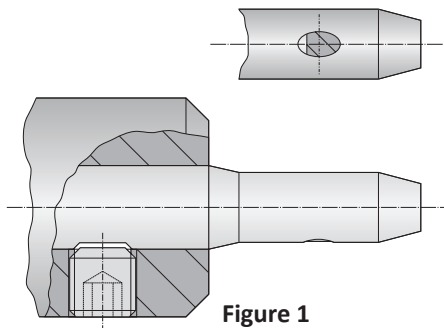
Accessories for Adapter Sleeves

Micro Clamping Chucks Suitable for Reduction Sleeves



Micro Clamping Chuck						1 Clamping Wedge	
D_{1H6}	D_{2H5}	D_3	L_1	L_2	Part No.	Part No.	
0.630	0.236	0.472	3.937	1.575	219170	219070	
0.630	0.315	0.551	3.937	1.772	219171	219071	
0.787	0.394	0.669	3.937	1.693	219172	219072	
0.984	0.472	0.787	4.331	1.535	219173	219073	
0.984	0.551	0.866	4.331	1.811	219174	219074	
1.260	0.630	0.984	4.921	1.772	219174	219075	
1.260	0.709	1.063	5.118	2.126	219174	219076	
1.260	0.787	1.181	5.118	2.441	219175	219077	
i							
16.00	6.00	12.00	100.00	40.00	219170	219070	
16.00	8.00	14.00	100.00	45.00	219171	219071	
20.00	10.00	17.00	100.00	43.00	219172	219072	
25.00	12.00	20.00	110.00	39.00	219173	219073	
25.00	14.00	22.00	110.00	46.00	219174	219074	
32.00	16.00	25.00	125.00	45.00	219174	219075	
32.00	18.00	27.00	130.00	54.00	219174	219076	
32.00	20.00	30.00	130.00	62.00	219175	219077	
m							

NOTE: Clamping chucks are used in reduction sleeves for clamping tools with cylindrical shanks to DIN 1835-B (Fig. 1). The chucks' design allows the use of standard tools versus ordering special tools (Fig. 2).

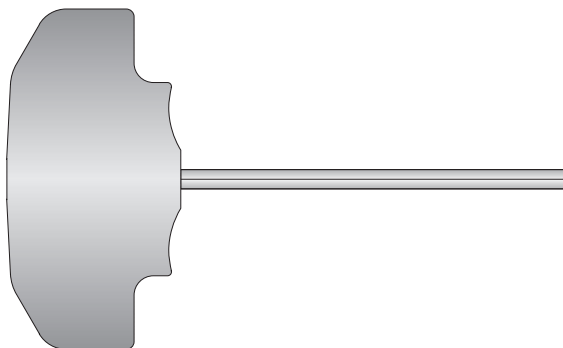


i = Imperial (in)
m = Metric (mm)

Accessories for Drill Chucks

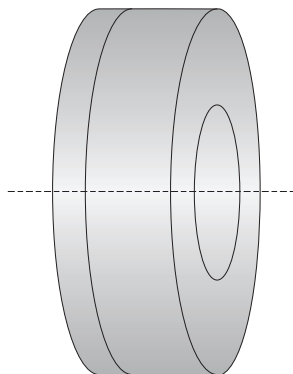
Service Keys for Drill Chucks

Service Key		Tightening Torque Nm	Part No.
Service Key	Type		
2.50	B	15	415577
6.00	B	15	115578



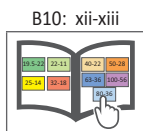
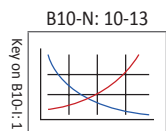
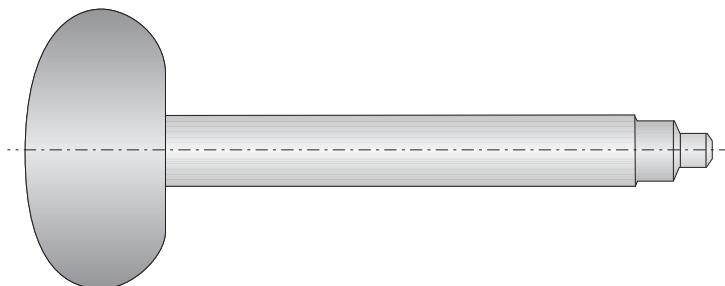
Gaskets for Drill Chucks

Gasket		Part No.	
Gasket Diameter	Clamping Diameter		
i	0.118 - 0.236	0.019 - 0.511	387113
	0.236 - 0.511	0.019 - 0.511	387114
	0.118 - 0.236	0.098 - 0.629	387115
	0.236 - 0.629	0.098 - 0.629	387116
m	3.00 - 6.00	0.50 - 13.00	387113
	6.00 - 13.00	0.50 - 13.00	387114
	3.00 - 6.00	2.50 - 16.00	387115
	6.00 - 16.00	2.50 - 16.00	387116



Assembly Tool for Gasket

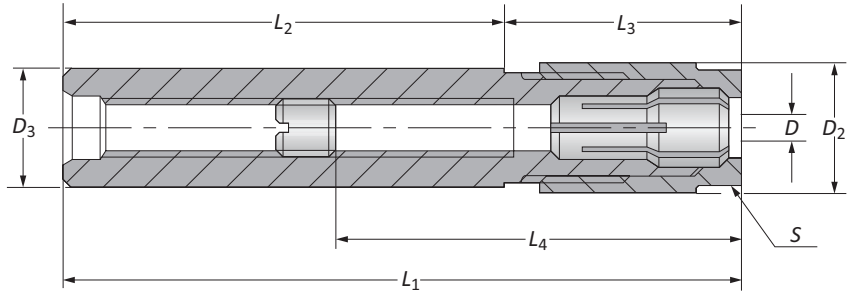
Part No.
387112



i = Imperial (in)
m = Metric (mm)

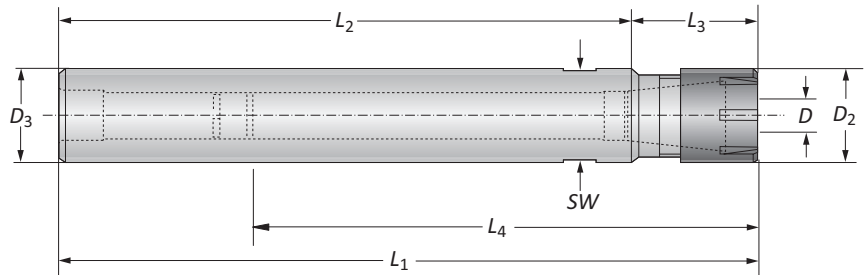
Collet Chucks for Erickson System | Cylindrical Collet Chucks for ISO 15488 (DIN 6499) Collets

Diameter Range: 0.039" - 0.393" (1.00mm - 10.00mm)



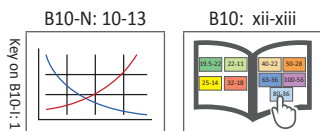
Collet Chucks for Erickson System

Nominal Size	Clamping Range	Collet Chuck								Service Key	Weight	Part No.
		D	D ₂	D ₃	L ₁	L ₂	L ₃	L ₄ Min	L ₄ Max			
i	6	0.039 - 0.255	0.551	0.492	4.409	2.992	1.417	1.654	3.976	13	0.441 (lbs)	162080
	6	0.039 - 0.255	0.551	0.492	6.929	5.512	1.417	1.654	4.016	13	0.441 (lbs)	162081
	10	0.039 - 0.393	0.827	0.787	4.724	2.992	1.732	1.535	4.213	19	0.661 (lbs)	162082
	10	0.039 - 0.393	0.827	0.787	7.244	5.512	1.732	1.535	4.685	19	0.661 (lbs)	162083
m	6	1.00 - 6.50	14.00	12.50	112.00	76.00	36.00	42.00	101.00	13	0.20 (kg)	162080
	6	1.00 - 6.50	14.00	12.50	176.00	140.00	36.00	42.00	102.00	13	0.20 (kg)	162081
	10	1.00 - 10.00	21.00	20.00	120.00	76.00	44.00	39.00	107.00	19	0.30 (kg)	162082
	10	1.00 - 10.00	21.00	20.00	184.00	140.00	44.00	39.00	119.00	19	0.30 (kg)	162083



Cylindrical Collet Chucks for ISO 15488 (DIN 6499) Collets

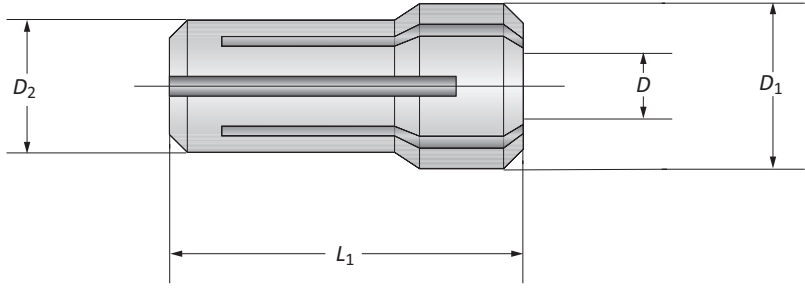
Nominal Size	Collet Chuck									Hex Size	Part No.
	D	D ₂	D ₃	L ₁	L ₂	L ₃	L ₄ Min	L ₄ Max	SW		
i	ER 8	0.039 - 0.196	0.472	0.315	4.961	3.937	1.024	1.437	1.437	09	209054
	ER 8	0.039 - 0.196	0.472	0.472	6.535	5.512	1.024	1.437	1.437	09	209055
	ER 11	0.039 - 0.275	0.630	0.630	4.193	3.150	1.043	0.906	2.559	11	209056
	ER 11	0.039 - 0.275	0.630	0.630	6.555	5.512	1.043	0.906	2.559	11	209057
	ER 16	0.039 - 0.393	0.866	0.787	4.665	3.150	1.516	1.299	4.016	17	209058
	ER 16	0.039 - 0.393	0.866	0.787	7.028	5.512	1.516	1.299	4.843	17	209059
m	ER 8	1.00 - 5.00	12.00	8.00	126.00	100.00	26.00	36.50	36.50	09	209054
	ER 8	1.00 - 5.00	12.00	12.00	166.00	140.00	26.00	36.50	36.50	09	209055
	ER 11	1.00 - 7.00	16.00	16.00	106.50	80.00	26.50	23.00	65.00	11	209056
	ER 11	1.00 - 7.00	16.00	16.00	166.50	140.00	26.50	23.00	65.00	11	209057
	ER 16	1.00 - 10.00	22.00	20.00	118.50	80.00	38.50	33.00	102.00	17	209058
	ER 16	1.00 - 10.00	22.00	20.00	178.50	140.00	38.50	33.00	123.00	17	209059



i = Imperial (in)
m = Metric (mm)

Accessories for Collet Chucks

Diameter Range: 0.019" - 0.393" (0.50mm - 10.00mm)



Collet Sets for Erickson System

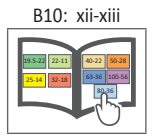
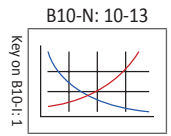
	Nominal Size	Standard-No.	Set				Part No.
			D_1	D_2	L_1	D	
i	6	416 E	0.374	0.300	1.004	0.019 - 0.236	071016
	10	417 E	0.531	0.450	1.197	0.019 - 0.393	071017
m	6	416 E	9.50	7.62	25.50	0.50 - 6.00	071016
	10	417 E	13.50	11.43	30.40	0.50 - 10.00	071017

Collets for Erickson System

Collet	Diameter Range		
	Nominal Size	D	
i	6	0.020 - 0.039	071355
	6	0.039 - 0.059	071356
	6	0.059 - 0.079	071357
	6	0.079 - 0.098	071358
	6	0.098 - 0.118	071359
	6	0.118 - 0.138	071360
	6	0.138 - 0.157	071361
	6	0.157 - 0.177	071362
	6	0.177 - 0.197	071363
	6	0.197 - 0.217	071364
	6	0.217 - 0.236	071365
	10	0.020 - 0.039	071368
	10	0.039 - 0.059	071369
	10	0.059 - 0.079	071370
	10	0.079 - 0.098	071371
	10	0.098 - 0.118	071372
	10	0.118 - 0.138	071373
	10	0.139 - 0.157	071374
	10	0.157 - 0.177	071375
	10	0.177 - 0.197	071376
	10	0.197 - 0.217	071377
	10	0.217 - 0.236	071378
	10	0.236 - 0.256	071379
	10	0.256 - 0.276	071380
	10	0.276 - 0.295	071381
	10	0.295 - 0.315	071382
	10	0.315 - 0.335	071383
	10	0.335 - 0.354	071384
	10	0.354 - 0.374	071385
	10	0.374 - 0.394	071681

Collets for Erickson System

Collet	Diameter Range		
	Nominal Size	D	
m	6	0.50 - 1.00	071355
	6	1.00 - 1.50	071356
	6	1.50 - 2.00	071357
	6	2.00 - 2.50	071358
	6	2.50 - 3.00	071359
	6	3.00 - 3.50	071360
	6	3.50 - 4.00	071361
	6	4.00 - 4.50	071362
	6	4.50 - 5.00	071363
	6	5.00 - 5.50	071364
	6	5.50 - 6.00	071365
	10	0.50 - 1.00	071368
	10	1.00 - 1.50	071369
	10	1.50 - 2.00	071370
	10	2.00 - 2.50	071371
	10	2.50 - 3.00	071372
	10	3.00 - 3.50	071373
	10	3.50 - 4.00	071374
	10	4.00 - 4.50	071375
	10	4.50 - 5.00	071376
10	5.00 - 5.50	071377	
10	5.50 - 6.00	071378	
10	6.00 - 6.50	071379	
10	6.50 - 7.00	071380	
10	7.00 - 7.50	071381	
10	7.50 - 8.00	071382	
10	8.00 - 8.50	071383	
10	8.50 - 9.00	071384	
10	9.00 - 9.50	071385	
10	9.50 - 10.00	071681	

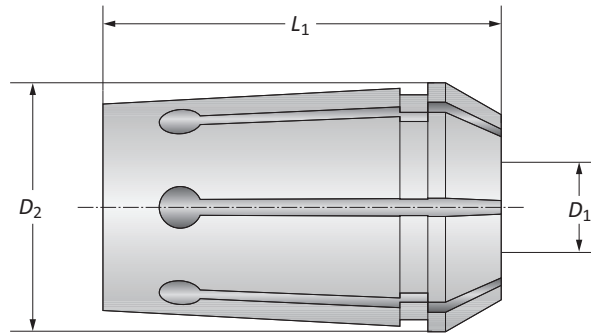


i = Imperial (in)
m = Metric (mm)

A
B
C
D
E
F
G
H
I
J
K
L
M
N
INDEX

Accessories for Collet Chucks

ISO 10897-A (DIN 6388-A)



Collet Sets

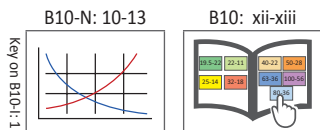
Nominal Size	Standard-No.	Set			Part No.
		D_2	L_1	D_1	
A 16	410 E	0.891	1.574	0.078 - 0.629	071003
A 25	444 E	1.295	2.047	0.078 - 0.984	071004
A 32	450 E	1.625	2.362	0.157 - 1.259	071019
<hr/>					
A 16	410 E	22.65	40.00	2.00 - 16.00	071003
A 25	444 E	32.90	52.00	2.00 - 25.00	071004
A 32	450 E	41.30	60.00	4.00 - 32.00	071019

Collets

Nominal Size	Diameter D_1	Part No.
A 16	0.079	071140
A 16	0.098	071141
A 16	0.118	071142
A 16	0.138	071143
A 16	0.157	071144
A 16	0.177	071145
A 16	0.197	071146
A 16	0.217	071147
A 16	0.236	071148
A 16	0.256	071149
A 16	0.276	071150
A 16	0.295	071151
A 16	0.315	071152
A 16	0.335	071153
A 16	0.354	071154
A 16	0.374	071155
A 16	0.394	071156
A 16	0.413	071157
A 16	0.433	071158
A 16	0.453	071159
A 16	0.472	071160
A 16	0.492	071161
A 16	0.512	071162
A 16	0.531	071163
A 16	0.551	071164
A 16	0.571	071165
A 16	0.591	071166
A 16	0.610	071167
A 16	0.630	071168

Collets

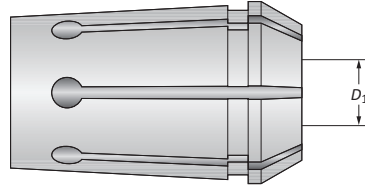
Nominal Size	Diameter D_1	Part No.
A 16	2.00	071140
A 16	2.50	071141
A 16	3.00	071142
A 16	3.50	071143
A 16	4.00	071144
A 16	4.50	071145
A 16	5.00	071146
A 16	5.50	071147
A 16	6.00	071148
A 16	6.50	071149
A 16	7.00	071150
A 16	7.50	071151
A 16	8.00	071152
A 16	8.50	071153
A 16	9.00	071154
A 16	9.50	071155
A 16	10.00	071156
A 16	10.50	071157
A 16	11.00	071158
A 16	11.50	071159
A 16	12.00	071160
A 16	12.50	071161
A 16	13.00	071162
A 16	13.50	071163
A 16	14.00	071164
A 16	14.50	071165
A 16	15.00	071166
A 16	15.50	071167
A 16	16.00	071168



i = Imperial (in)
m = Metric (mm)

Accessories for Collet Chucks

ISO 10897-A (DIN 6388-A)



Collets

Nominal Size	Diameter D_1	Part No.
A 25	0.078	071169
A 25	0.118	071170
A 25	0.157	071171
A 25	0.196	071172
A 25	0.236	071173
A 25	0.275	071174
A 25	0.315	071175
A 25	0.354	071176
A 25	0.393	071177
A 25	0.433	071178
A 25	0.472	071179
A 25	0.511	071180
A 25	0.551	071181
A 25	0.590	071182
A 25	0.629	071183
A 25	0.669	071184
A 25	0.708	071185
A 25	0.748	071186
A 25	0.787	071187
A 25	0.826	071188
A 25	0.866	071189
A 25	0.905	071190
A 25	0.944	071191
A 25	0.984	071192
A 32	0.157	071612
A 32	0.196	071419
A 32	0.236	071420
A 32	0.275	071613
A 32	0.315	071421
A 32	0.354	071614
A 32	0.393	071422
A 32	0.433	071666
A 32	0.472	071423
A 32	0.511	071667
A 32	0.551	071668
A 32	0.590	071669
A 32	0.629	071424
A 32	0.669	071670
A 32	0.708	071665
A 32	0.748	071671
A 32	0.787	071416
A 32	0.826	071672
A 32	0.866	071673
A 32	0.905	071674
A 32	0.944	071675
A 32	0.984	071417
A 32	1.023	071676
A 32	1.063	071677
A 32	1.102	071678
A 32	1.141	071679
A 32	1.181	071633
A 32	1.220	071680
A 32	1.259	071418

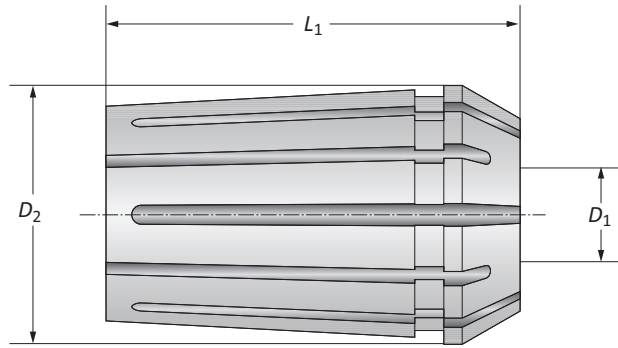
Collets

Nominal Size	Diameter D_1	Part No.
A 25	2.00	071169
A 25	3.00	071170
A 25	4.00	071171
A 25	5.00	071172
A 25	6.00	071173
A 25	7.00	071174
A 25	8.00	071175
A 25	9.00	071176
A 25	10.00	071177
A 25	11.00	071178
A 25	12.00	071179
A 25	13.00	071180
A 25	14.00	071181
A 25	15.00	071182
A 25	16.00	071183
A 25	17.00	071184
A 25	18.00	071185
A 25	19.00	071186
A 25	20.00	071187
A 25	21.00	071188
A 25	22.00	071189
A 25	23.00	071190
A 25	24.00	071191
A 25	25.00	071192
A 32	4.00	071612
A 32	5.00	071419
A 32	6.00	071420
A 32	7.00	071613
A 32	8.00	071421
A 32	9.00	071614
A 32	10.00	071422
A 32	11.00	071666
A 32	12.00	071423
A 32	13.00	071667
A 32	14.00	071668
A 32	15.00	071669
A 32	16.00	071424
A 32	17.00	071670
A 32	18.00	071665
A 32	19.00	071671
A 32	20.00	071416
A 32	21.00	071672
A 32	22.00	071673
A 32	23.00	071674
A 32	24.00	071675
A 32	25.00	071417
A 32	26.00	071676
A 32	27.00	071677
A 32	28.00	071678
A 32	29.00	071679
A 32	30.00	071633
A 32	31.00	071680
A 32	32.00	071418

A
B
C
D
E
F
G
H
I
J
K
L
M
N
INDEX

Accessories for Collet Chucks

ISO 10897-B (DIN 6388-B)



Collet Sets

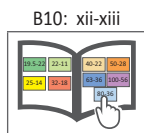
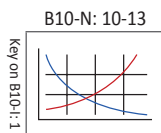
Nominal Size	Standard-No.	Set			Part No.
		D_2	L_1	D_1	
B 16	415 E	0.892	1.575	0.059 - 0.630	071005
B 16	462 E	1.295	2.047	0.138 - 0.984	071006
B 16	467 E	1.626	2.362	0.217 - 1.260	071022
<hr/>					
B 16	415 E	22.65	40.00	1.50 - 16.00	071005
B 16	462 E	32.90	52.00	3.50 - 25.00	071006
B 16	467 E	41.30	60.00	5.50 - 32.00	071022

Collets

Nominal Size	Diameter D_1	Part No.
B 16	0.059 - 0.079	071625
B 16	0.079 - 0.098	071626
B 16	0.098 - 0.118	071621
B 16	0.118 - 0.138	071622
B 16	0.138 - 0.157	071193
B 16	0.157 - 0.177	071194
B 16	0.177 - 0.197	071195
B 16	0.197 - 0.217	071196
B 16	0.217 - 0.236	071197
B 16	0.236 - 0.256	071198
B 16	0.256 - 0.276	071199
B 16	0.276 - 0.295	071200
B 16	0.295 - 0.315	071201
B 16	0.315 - 0.335	071202
B 16	0.335 - 0.354	071203
B 16	0.354 - 0.374	071204
B 16	0.374 - 0.394	071205
B 16	0.394 - 0.413	071206
B 16	0.413 - 0.433	071207
B 16	0.433 - 0.453	071208
B 16	0.453 - 0.472	071209
B 16	0.472 - 0.492	071210
B 16	0.492 - 0.512	071211
B 16	0.512 - 0.531	071212
B 16	0.531 - 0.551	071213
B 16	0.551 - 0.571	071214
B 16	0.571 - 0.591	071215
B 16	0.591 - 0.610	071216
B 16	0.610 - 0.630	071217

Collets

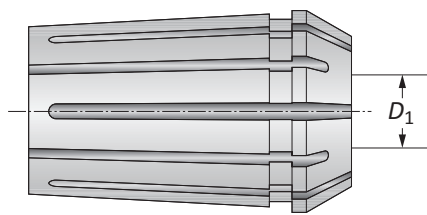
Nominal Size	Diameter D_1	Part No.
B 16	1.50 - 2.00	071625
B 16	2.00 - 2.50	071626
B 16	2.50 - 3.00	071621
B 16	3.00 - 3.50	071622
B 16	3.50 - 4.00	071193
B 16	4.00 - 4.50	071194
B 16	4.50 - 5.00	071195
B 16	5.00 - 5.50	071196
B 16	5.50 - 6.00	071197
B 16	6.00 - 6.50	071198
B 16	6.50 - 7.00	071199
B 16	7.00 - 7.50	071200
B 16	7.50 - 8.00	071201
B 16	8.00 - 8.50	071202
B 16	8.50 - 9.00	071203
B 16	9.00 - 9.50	071204
B 16	9.50 - 10.00	071205
B 16	10.00 - 10.50	071206
B 16	10.50 - 11.00	071207
B 16	11.00 - 11.50	071208
B 16	11.50 - 12.00	071209
B 16	12.00 - 12.50	071210
B 16	12.50 - 13.00	071211
B 16	13.00 - 13.50	071212
B 16	13.50 - 14.00	071213
B 16	14.00 - 14.50	071214
B 16	14.50 - 15.00	071215
B 16	15.00 - 15.50	071216
B 16	15.50 - 16.00	071217



i = Imperial (in)
m = Metric (mm)

Accessories for Collet Chucks

ISO 10897-B (DIN 6388-B)



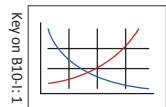
Collets

Nominal Size	Diameter D_1	Part No.
B 25	0.138 - 0.157	071627
B 25	0.157 - 0.177	071628
B 25	0.177 - 0.197	071218
B 25	0.197 - 0.217	071219
B 25	0.217 - 0.236	071220
B 25	0.236 - 0.256	071221
B 25	0.256 - 0.276	071222
B 25	0.276 - 0.295	071223
B 25	0.295 - 0.315	071224
B 25	0.315 - 0.335	071225
B 25	0.335 - 0.354	071226
B 25	0.354 - 0.374	071227
B 25	0.374 - 0.394	071228
B 25	0.394 - 0.413	071229
B 25	0.413 - 0.433	071230
B 25	0.433 - 0.453	071231
B 25	0.453 - 0.472	071232
B 25	0.472 - 0.492	071233
B 25	0.492 - 0.512	071234
B 25	0.512 - 0.531	071235
B 25	0.531 - 0.551	071236
i B 25	0.551 - 0.571	071237
B 25	0.571 - 0.591	071238
B 25	0.591 - 0.610	071239
B 25	0.610 - 0.630	071240
B 25	0.630 - 0.650	071241
B 25	0.650 - 0.669	071242
B 25	0.669 - 0.689	071243
B 25	0.689 - 0.709	071244
B 25	0.709 - 0.728	071245
B 25	0.728 - 0.748	071246
B 25	0.748 - 0.768	071247
B 25	0.768 - 0.787	071248
B 25	0.787 - 0.807	071249
B 25	0.807 - 0.827	071250
B 25	0.827 - 0.846	071251
B 25	0.846 - 0.866	071252
B 25	0.866 - 0.866	071253
B 25	0.866 - 0.906	071254
B 25	0.906 - 0.925	071255
B 25	0.925 - 0.945	071256
B 25	0.945 - 0.965	071257
B 25	0.965 - 0.984	071258

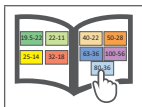
Collets

Nominal Size	Diameter D_1	Part No.
B 25	3.50 - 4.00	071627
B 25	4.00 - 4.50	071628
B 25	4.50 - 5.00	071218
B 25	5.00 - 5.50	071219
B 25	5.50 - 6.00	071220
B 25	6.00 - 6.50	071221
B 25	6.50 - 7.00	071222
B 25	7.00 - 7.50	071223
B 25	7.50 - 8.00	071224
B 25	8.00 - 8.50	071225
B 25	8.50 - 9.00	071226
B 25	9.00 - 9.50	071227
B 25	9.50 - 10.00	071228
B 25	10.00 - 10.50	071229
B 25	10.50 - 11.00	071230
B 25	11.00 - 11.50	071231
B 25	11.50 - 12.00	071232
B 25	12.00 - 12.50	071233
B 25	12.50 - 13.00	071234
B 25	13.00 - 13.50	071235
B 25	13.50 - 14.00	071236
m B 25	14.00 - 14.50	071237
B 25	14.50 - 15.00	071238
B 25	15.00 - 15.50	071239
B 25	15.50 - 16.00	071240
B 25	16.00 - 16.50	071241
B 25	16.50 - 17.00	071242
B 25	17.00 - 17.50	071243
B 25	17.50 - 18.00	071244
B 25	18.00 - 18.50	071245
B 25	18.50 - 19.00	071246
B 25	19.00 - 19.50	071247
B 25	19.50 - 20.00	071248
B 25	20.00 - 20.50	071249
B 25	20.50 - 21.00	071250
B 25	21.00 - 21.50	071251
B 25	21.50 - 22.00	071252
B 25	22.00 - 22.50	071253
B 25	22.50 - 23.00	071254
B 25	23.00 - 23.50	071255
B 25	23.50 - 24.00	071256
B 25	24.00 - 24.50	071257
B 25	24.50 - 25.00	071258

B10-N: 10-13



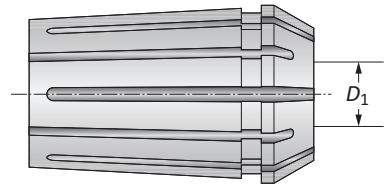
B10: xii-xiii



i = Imperial (in)
m = Metric (mm)

Accessories for Collet Chucks

ISO 10897-B (DIN 6388-B)



Collets

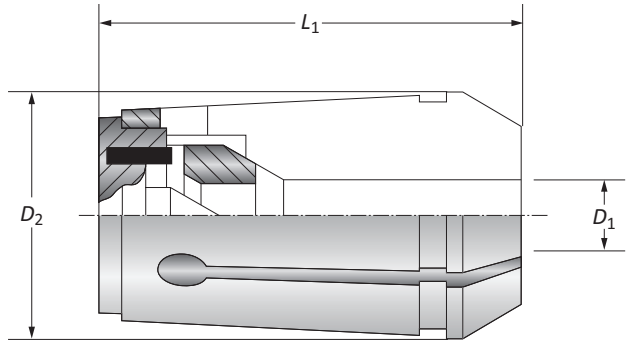
Nominal Size	Diameter D_1	Part No.
B 32	0.217 - 0.236	071686
B 32	0.236 - 0.256	071687
B 32	0.256 - 0.276	071688
B 32	0.276 - 0.295	071689
B 32	0.295 - 0.315	071690
B 32	0.315 - 0.335	071691
B 32	0.335 - 0.354	071692
B 32	0.354 - 0.374	071693
B 32	0.374 - 0.394	071542
B 32	0.394 - 0.413	071543
B 32	0.413 - 0.433	071544
B 32	0.433 - 0.453	071545
B 32	0.453 - 0.472	071546
B 32	0.472 - 0.492	071547
B 32	0.492 - 0.512	071548
B 32	0.512 - 0.531	071549
B 32	0.531 - 0.551	071550
B 32	0.551 - 0.571	071551
B 32	0.571 - 0.591	071552
B 32	0.591 - 0.610	071553
B 32	0.610 - 0.630	071554
B 32	0.630 - 0.650	071555
B 32	0.650 - 0.669	071556
B 32	0.669 - 0.689	071557
B 32	0.689 - 0.709	071558
B 32	0.709 - 0.728	071559
i B 32	0.728 - 0.748	071560
B 32	0.748 - 0.768	071561
B 32	0.768 - 0.787	071562
B 32	0.787 - 0.807	071563
B 32	0.807 - 0.827	071564
B 32	0.827 - 0.846	071565
B 32	0.846 - 0.866	071566
B 32	0.866 - 0.866	071567
B 32	0.866 - 0.906	071568
B 32	0.906 - 0.925	071569
B 32	0.925 - 0.945	071570
B 32	0.945 - 0.965	071571
B 32	0.965 - 0.984	071572
B 32	0.984 - 1.004	071573
B 32	1.004 - 1.024	071574
B 32	1.024 - 1.043	071575
B 32	1.043 - 1.063	071576
B 32	1.063 - 1.083	071577
B 32	1.083 - 1.102	071578
B 32	1.102 - 1.122	071579
B 32	1.122 - 1.142	071580
B 32	1.142 - 1.161	071581
B 32	1.161 - 1.181	071582
B 32	1.181 - 1.201	071583
B 32	1.201 - 1.220	071584
B 32	1.220 - 1.240	081585
B 32	1.240 - 1.260	071586

Collets

Nominal Size	Diameter D_1	Part No.
B 32	5.50 - 6.00	071686
B 32	6.00 - 6.50	071687
B 32	6.50 - 7.00	071688
B 32	7.00 - 7.50	071689
B 32	7.50 - 8.00	071690
B 32	8.00 - 8.50	071691
B 32	8.50 - 9.00	071692
B 32	9.00 - 9.50	071693
B 32	9.50 - 10.00	071542
B 32	10.00 - 10.50	071543
B 32	10.50 - 11.00	071544
B 32	11.00 - 11.50	071545
B 32	11.50 - 12.00	071546
B 32	12.00 - 12.50	071547
B 32	12.50 - 13.00	071548
B 32	13.00 - 13.50	071549
B 32	13.50 - 14.00	071550
B 32	14.00 - 14.50	071551
B 32	14.50 - 15.00	071552
B 32	15.00 - 15.50	071553
B 32	15.50 - 16.00	071554
B 32	16.00 - 16.50	071555
B 32	16.50 - 17.00	071556
B 32	17.00 - 17.50	071557
B 32	17.50 - 18.00	071558
B 32	18.00 - 18.50	071559
m B 32	18.50 - 19.00	071560
B 32	19.00 - 19.50	071561
B 32	19.50 - 20.00	071562
B 32	20.00 - 20.50	071563
B 32	20.50 - 21.00	071564
B 32	21.00 - 21.50	071565
B 32	21.50 - 22.00	071566
B 32	22.00 - 22.50	071567
B 32	22.50 - 23.00	071568
B 32	23.00 - 23.50	071569
B 32	23.50 - 24.00	071570
B 32	24.00 - 24.50	071571
B 32	24.50 - 25.00	071572
B 32	25.00 - 25.50	071573
B 32	25.50 - 26.00	071574
B 32	26.00 - 26.50	071575
B 32	26.50 - 27.00	071576
B 32	27.00 - 27.50	071577
B 32	27.50 - 28.00	071578
B 32	28.00 - 28.50	071579
B 32	28.50 - 29.00	071580
B 32	29.00 - 29.50	071581
B 32	29.50 - 30.00	071582
B 32	30.00 - 30.50	071583
B 32	30.50 - 31.00	071584
B 32	31.00 - 31.50	081585
B 32	31.50 - 32.00	071586

Accessories for Collet Chucks

ISO 10897-A (DIN 6388-A)



Collet Sets for Clarkson System

	Nominal Size	Standard-No.	Sets			Part No.
			D_2	L_1	D_1	
i	A 16	421 E	0.892	1.654	0.236 - 0.472	071013
	A 25	459 E	1.295	2.047	0.236 - 0.984	071014
	A 32	460 E	1.626	2.480	0.236 - 1.260	071020
m	A 16	421 E	22.65	42.00	6.00 - 12.00	071013
	A 25	459 E	32.90	52.00	6.00 - 25.00	071014
	A 32	460 E	41.30	63.00	6.00 - 32.00	071020

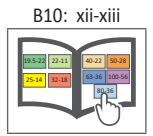
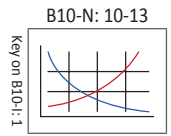
NOTE: Recommended to use clamping nuts with ball-bearings to lock collets

Collets for Clarkson System

	Nominal Size	Diameter	Part No.
		D_1	
i	A 16	0.236	071304
	A 16	0.315	071305
	A 16	0.394	071306
	A 16	0.472	071307
	A 25	0.236	071308
	A 25	0.315	071309
	A 25	0.394	071310
	A 25	0.472	071311
	A 25	0.630	071312
	A 25	0.787	071313
	A 25	0.984	071684
	A 32	0.236	071427
	A 32	0.315	071428
	A 32	0.394	071429
	A 32	0.472	071430
	A 32	0.630	071431
	A 32	0.787	071432
	A 32	0.984	071433
A 32	1.260	071685	

Collets for Clarkson System

	Nominal Size	Diameter	Part No.
		D_1	
m	A 16	6.00	071304
	A 16	8.00	071305
	A 16	10.00	071306
	A 16	12.00	071307
	A 25	6.00	071308
	A 25	8.00	071309
	A 25	10.00	071310
	A 25	12.00	071311
	A 25	16.00	071312
	A 25	20.00	071313
	A 25	25.00	071684
	A 32	6.00	071427
	A 32	8.00	071428
	A 32	10.00	071429
	A 32	12.00	071430
	A 32	16.00	071431
	A 32	20.00	071432
	A 32	25.00	071433
A 32	32.00	071685	

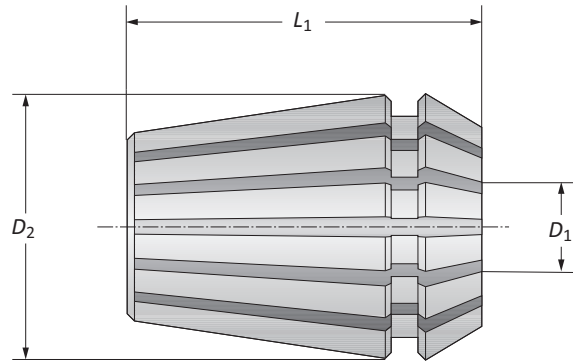


i = Imperial (in)
m = Metric (mm)

A
B
C
D
E
F
G
H
I
J
K
L
M
N
INDEX

Accessories for Collet Chucks

ISO 15488-B (DIN 6499-B)



Collet Sets

	Nominal Size	Standard-No.	Diameter		Collet Set	Part No.
			D_1	D_2		
i	ER 8	4004 E	0.039 - 0.197	0.335	0.531	071034
	ER 11	4008 E	0.039 - 0.276	0.433	0.709	071028
	ER 16	426 E	0.020 - 0.394	0.630	1.083	071029
	ER 25	403 E	0.059 - 0.630	0.984	1.339	071031
	ER 32	470 E	0.079 - 0.787	1.260	1.575	071032
	ER 40	472 E	0.118 - 1.024	1.575	1.811	071033
m	ER 8	4004 E	1.00 - 5.00	8.50	13.50	071034
	ER 11	4008 E	1.00 - 7.00	11.00	18.00	071028
	ER 16	426 E	0.50 - 10.00	16.00	27.50	071029
	ER 25	403 E	1.50 - 16.00	25.00	34.00	071031
	ER 32	470 E	2.00 - 20.00	32.00	40.00	071032
	ER 40	472 E	3.00 - 26.00	40.00	46.00	071033

Collets

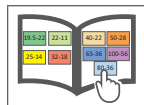
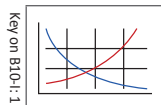
Nominal Size	Diameter D_1	Part No.
ER 8	0.039	071986
ER 8	0.059	071987
ER 8	0.079	071988
ER 8	0.098	071989
ER 8	0.102 - 0.118	071990
ER 8	0.122 - 0.138	071991
ER 8	0.142 - 0.157	071992
ER 8	0.161 - 0.177	071993
ER 8	0.181 - 0.197	071994
ER 11	0.039	071700
ER 11	0.059	071701
ER 11	0.079	071702
ER 11	0.098	071703
ER 11	0.102 - 0.118	071704
ER 11	0.122 - 0.138	071705
ER 11	0.142 - 0.157	071706
ER 11	0.161 - 0.177	071707
ER 11	0.181 - 0.197	071708
ER 11	0.201 - 0.217	071709
ER 11	0.220 - 0.354	071710
ER 11	0.240 - 0.256	071711
ER 11	0.260 - 0.276	071712

Collets

Nominal Size	Diameter D_1	Part No.
ER 8	1.00	071986
ER 8	1.50	071987
ER 8	2.00	071988
ER 8	2.50	071989
ER 8	2.60 - 3.00	071990
ER 8	3.10 - 3.50	071991
ER 8	3.60 - 4.00	071992
ER 8	4.10 - 4.50	071993
ER 8	4.60 - 5.00	071994
ER 11	1.00	071700
ER 11	1.50	071701
ER 11	2.00	071702
ER 11	2.50	071703
ER 11	2.60 - 3.00	071704
ER 11	3.10 - 3.50	071705
ER 11	3.60 - 4.00	071706
ER 11	4.10 - 4.50	071707
ER 11	4.60 - 5.00	071708
ER 11	5.10 - 5.50	071709
ER 11	5.60 - 6.00	071710
ER 11	6.10 - 6.50	071711
ER 11	6.60 - 7.00	071712

B10-N: 10-13

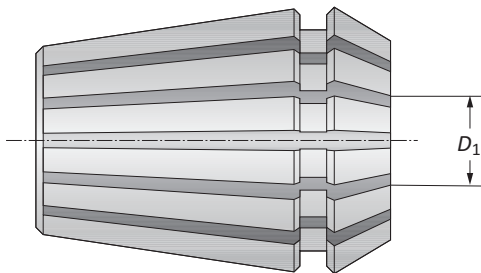
B10: xii-xiii



i = Imperial (in)
m = Metric (mm)

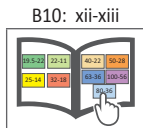
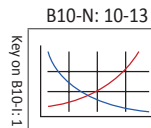
Accessories for Collet Chucks

ISO 15488-B (DIN 6499-B)



Collets

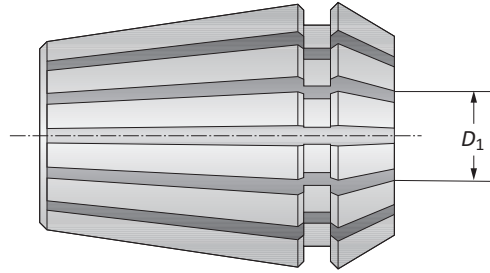
	Nominal Size	Diameter	
		D_1	Part No.
i	ER 16	0.020 - 0.039	071713
	ER 16	0.039 - 0.059	071714
	ER 16	0.039 - 0.079	071715
	ER 16	0.079 - 0.098	071716
	ER 16	0.098 - 0.118	071717
	ER 16	0.118 - 0.138	071718
	ER 16	0.138 - 0.157	071719
	ER 16	0.157 - 0.177	271132
	ER 16	0.157 - 0.197	071720
	ER 16	0.197 - 0.217	271133
	ER 16	0.217 - 0.236	071721
	ER 16	0.236 - 0.256	271134
	ER 16	0.236 - 0.276	071722
	ER 16	0.276 - 0.295	271135
	ER 16	0.295 - 0.315	071723
	ER 16	0.315 - 0.335	271136
	m	ER 16	0.335 - 0.354
ER 16		0.354 - 0.374	271137
ER 16		0.354 - 0.394	071725
ER 16		0.50 - 1.00	071713
ER 16		1.00 - 1.50	071714
ER 16		1.00 - 2.00	071715
ER 16		2.00 - 2.50	071716
ER 16		2.50 - 3.00	071717
ER 16		3.00 - 3.50	071718
ER 16		3.50 - 4.00	071719
ER 16		4.00 - 4.50	271132
ER 16		4.00 - 5.00	071720
ER 16		5.00 - 5.50	271133
ER 16		5.50 - 6.00	071721
ER 16		6.00 - 6.50	271134
ER 16		6.00 - 7.00	071722
ER 16		7.00 - 7.50	271135
ER 16	7.5 - 8.00	071723	
ER 16	8.00 - 8.50	271136	
ER 16	8.50 - 9.00	071724	
ER 16	9.00 - 9.50	271137	
ER 16	9.00 - 10.00	071725	



i = Imperial (in)
m = Metric (mm)

Accessories for Collet Chucks

ISO 15488-B (DIN 6499-B)



Collets

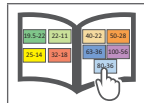
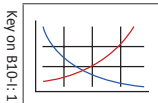
Nominal Size	Diameter D_1	Part No.
ER 25	0.059 - 0.079	071743
ER 25	0.079 - 0.098	071744
ER 25	0.098 - 0.118	071745
ER 25	0.118 - 0.138	271128
ER 25	0.138 - 0.157	071746
ER 25	0.157 - 0.177	271129
ER 25	0.177 - 0.197	071747
ER 25	0.197 - 0.217	271130
ER 25	0.217 - 0.236	071748
ER 25	0.236 - 0.256	271131
ER 25	0.256 - 0.276	071749
ER 25	0.276 - 0.315	071750
ER 25	0.315 - 0.354	071751
ER 25	0.354 - 0.394	071752
ER 25	0.394 - 0.433	071753
ER 25	0.433 - 0.472	071754
ER 25	0.472 - 0.512	071755
ER 25	0.512 - 0.551	071756
ER 25	0.551 - 0.591	071757
ER 25	0.591 - 0.630	071758
i ER 32	0.079 - 0.118	071761
ER 32	0.118 - 0.157	071762
ER 32	0.157 - 0.197	071763
ER 32	0.197 - 0.236	071764
ER 32	0.236 - 0.276	071765
ER 32	0.276 - 0.315	071766
ER 32	0.315 - 0.354	071767
ER 32	0.354 - 0.394	071768
ER 32	0.394 - 0.433	071769
ER 32	0.433 - 0.472	071770
ER 32	0.472 - 0.512	071771
ER 32	0.512 - 0.551	071772
ER 32	0.551 - 0.591	071773
ER 32	0.591 - 0.630	071774
ER 32	0.630 - 0.669	071775
ER 32	0.669 - 0.709	071776
ER 32	0.709 - 0.748	071777
ER 32	0.748 - 0.787	071778
ER 32	0.669 - 0.709	071776
ER 32	0.709 - 0.748	071777
ER 32	0.748 - 0.787	071778

Collets

Nominal Size	Diameter D_1	Part No.
ER 25	1.50 - 2.00	071743
ER 25	2.00 - 2.50	071744
ER 25	2.50 - 3.00	071745
ER 25	3.00 - 3.50	271128
ER 25	3.50 - 4.00	071746
ER 25	4.00 - 4.50	271129
ER 25	4.50 - 5.00	071747
ER 25	5.00 - 5.50	271130
ER 25	5.50 - 6.00	071748
ER 25	6.00 - 6.50	271131
ER 25	6.50 - 7.00	071749
ER 25	7.00 - 8.00	071750
ER 25	8.00 - 9.00	071751
ER 25	9.00 - 10.00	071752
ER 25	10.00 - 11.00	071753
ER 25	11.00 - 12.00	071754
ER 25	12.00 - 13.00	071755
ER 25	13.00 - 14.00	071756
ER 25	14.00 - 15.00	071757
ER 25	15.00 - 16.00	071758
m ER 32	2.00 - 3.00	071761
ER 32	3.00 - 4.00	071762
ER 32	4.00 - 5.00	071763
ER 32	5.00 - 6.00	071764
ER 32	6.00 - 7.00	071765
ER 32	7.00 - 8.00	071766
ER 32	8.00 - 9.00	071767
ER 32	9.00 - 10.00	071768
ER 32	10.00 - 11.00	071769
ER 32	11.00 - 12.00	071770
ER 32	12.00 - 13.00	071771
ER 32	13.00 - 14.00	071772
ER 32	14.00 - 15.00	071773
ER 32	15.00 - 16.00	071774
ER 32	16.00 - 17.00	071775
ER 32	17.00 - 18.00	071776
ER 32	18.00 - 19.00	071777
ER 32	19.00 - 20.00	071778
ER 32	17.00 - 18.00	071776
ER 32	18.00 - 19.00	071777
ER 32	19.00 - 20.00	071778

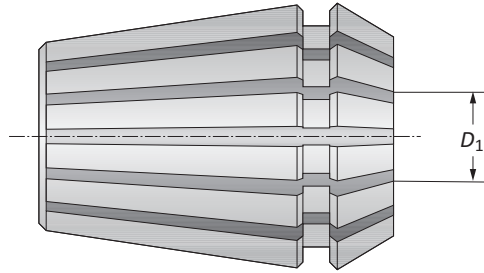
B10-N: 10-13

B10: xii-xiii



Accessories for Collet Chucks

ISO 15488-B (DIN 6499-B)



Nominal Size	Diameter D_1	Part No.
ER 40	0.118 - 0.157	071779
ER 40	0.157 - 0.197	071780
ER 40	0.197 - 0.236	071781
ER 40	0.236 - 0.276	071782
ER 40	0.276 - 0.315	071783
ER 40	0.315 - 0.354	071784
ER 40	0.354 - 0.394	071785
ER 40	0.394 - 0.433	071786
ER 40	0.433 - 0.472	071787
ER 40	0.472 - 0.512	071788
ER 40	0.512 - 0.551	071789
ER 40	0.551 - 0.591	071790
ER 40	0.591 - 0.630	071791
ER 40	0.630 - 0.669	071792
ER 40	0.669 - 0.709	071793
ER 40	0.709 - 0.748	071794
ER 40	0.748 - 0.787	071795
ER 40	0.787 - 0.827	071796
ER 40	0.827 - 0.866	071797
ER 40	0.866 - 0.906	071798
ER 40	0.906 - 0.945	071799
ER 40	0.945 - 0.984	071800
ER 40	0.984 - 1.024	071801
<hr/>		
ER 40	3.00 - 4.00	071779
ER 40	4.00 - 5.00	071780
ER 40	5.00 - 6.00	071781
ER 40	6.00 - 7.00	071782
ER 40	7.00 - 8.00	071783
ER 40	8.00 - 9.00	071784
ER 40	9.00 - 10.00	071785
ER 40	10.00 - 11.00	071786
ER 40	11.00 - 12.00	071787
ER 40	12.00 - 13.00	071788
ER 40	13.00 - 14.00	071789
ER 40	14.00 - 15.00	071790
ER 40	15.00 - 16.00	071791
ER 40	16.00 - 17.00	071792
ER 40	17.00 - 18.00	071793
ER 40	18.00 - 19.00	071794
ER 40	19.00 - 20.00	071795
ER 40	20.00 - 21.00	071796
ER 40	21.00 - 22.00	071797
ER 40	22.00 - 23.00	071798
ER 40	23.00 - 24.00	071799
ER 40	24.00 - 25.00	071800
ER 40	25.00 - 26.00	071801

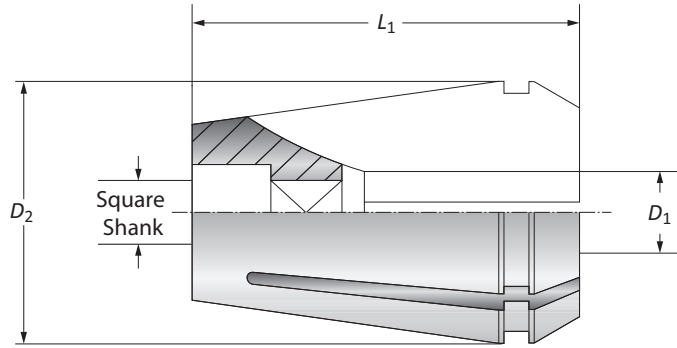
i

m

A
B
C
D
E
F
G
H
I
J
K
L
M
N
INDEX

Accessories for Collet Sets for Taps DIN 371/374/376

ISO 15488-B (DIN 6499-B)

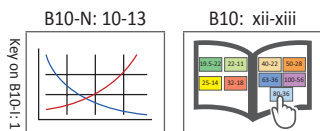


Collet Sets

	Nominal Size	Standard-No.	Clamping Range		Collet Set		Part No.
			D_1	D_2	D_2	L_1	
i	ER 16	426 EGB	0.177 - 0.276	0.630	1.083	071045	
	ER 25	430 EGB	0.177 - 0.472	0.984	1.339	071047	
	ER 32	470 EGB	0.177 - 0.630	1.260	1.575	071048	
	ER 40	472 EGB	0.276 - 0.787	1.575	1.811	071049	
m	ER 16	426 EGB	4.50 - 7.00	16.00	27.50	071045	
	ER 25	430 EGB	4.50 - 12.00	25.00	34.00	071047	
	ER 32	470 EGB	4.50 - 16.00	32.00	40.00	071048	
	ER 40	472 EGB	7.00 - 20.00	40.00	46.00	071049	

Taps

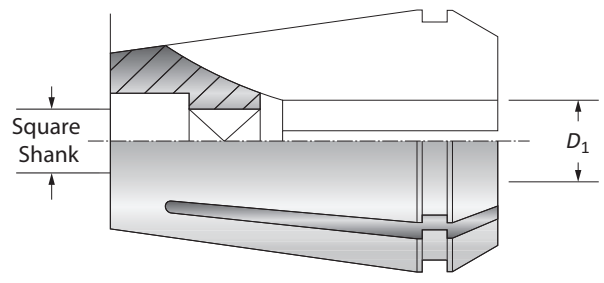
	Shank		Tap		
	D_1	Square Shank	DIN 371	DIN 374	DIN 376
i	0.177	0.134	M 4	M 6 x...	M 6
	0.217	0.169	-	M 7 x...	M 7
	0.236	0.193	M 4,5/5/6	M 8 x...	M 8
	0.276	0.217	M 7	M 9/10 x...	M 9/10
	0.315	0.244	M 8	M 6 x...	M 11
	0.354	0.276	M 9	M 6 x...	M 12
	0.394	0.315	M 10	-	-
	0.433	0.354	-	M 14 x...	M 14
	0.472	0.354	M 12	M 16 x...	M 16
	0.551	0.433	-	M 18 x...	M 18
m	0.630	0.472	-	M 20 x...	M 20
	0.709	0.551	-	M 22/24 x...	M 22/24
	0.787	0.630	-	M 27 x...	M 27
	4.50	3.40	M 4	M 6 x...	M 6
	5.50	4.30	-	M 7 x...	M 7
	6.00	4.90	M 4,5/5/6	M 8 x...	M 8
	7.00	5.50	M 7	M 9/10 x...	M 9/10
	8.00	6.20	M 8	M 6 x...	M 11
	9.00	7.00	M 9	M 6 x...	M 12
	10.00	8.00	M 10	-	-
11.00	9.00	-	M 14 x...	M 14	
12.00	9.00	M 12	M 16 x...	M 16	
14.00	11.00	-	M 18 x...	M 18	
16.00	12.00	-	M 20 x...	M 20	
18.00	14.00	-	M 22/24 x...	M 22/24	
20.00	16.00	-	M 27 x...	M 27	



i = Imperial (in)
m = Metric (mm)

Accessories for Collet Sets for Taps DIN 371/374/376

ISO 15488-B (DIN 6499-B)



Nominal Size	Suitable Taps		Part No.
	D ₁	Square Shank	
ER 16	0.177	0.134	071901
ER 16	0.217	0.169	071902
ER 16	0.236	0.193	071903
ER 16	0.276	0.217	071904
ER 25	0.177	0.134	071912
ER 25	0.217	0.169	071913
ER 25	0.236	0.193	071914
ER 25	0.276	0.217	071915
ER 25	0.315	0.244	071916
ER 25	0.354	0.276	071917
ER 25	0.394	0.315	071918
ER 25	0.433	0.354	071919
ER 25	0.472	0.354	071920
ER 32	0.177	0.134	071921
ER 32	0.217	0.169	071922
ER 32	0.236	0.193	071923
ER 32	0.276	0.217	071924
ER 32	0.315	0.244	071925
ER 32	0.354	0.276	071926
ER 32	0.394	0.315	071927
ER 32	0.433	0.354	071928
ER 32	0.472	0.354	071929
ER 32	0.551	0.433	071930
ER 32	0.630	0.472	071931
ER 40	0.276	0.217	071932
ER 40	0.315	0.244	071933
ER 40	0.354	0.276	071934
ER 40	0.394	0.315	071935
ER 40	0.433	0.354	071936
ER 40	0.472	0.354	071937
ER 40	0.551	0.433	071938
ER 40	0.630	0.472	071939
ER 40	0.709	0.571	071940
ER 40	0.787	0.630	071941

Nominal Size	Suitable Taps		Part No.
	D ₁	Square Shank	
ER 16	4.50	3.40	071901
ER 16	5.50	4.30	071902
ER 16	6.00	4.90	071903
ER 16	7.00	5.50	071904
ER 25	4.50	3.40	071912
ER 25	5.50	4.30	071913
ER 25	6.00	4.90	071914
ER 25	7.00	5.50	071915
ER 25	8.00	6.20	071916
ER 25	9.00	7.00	071917
ER 25	10.00	8.00	071918
ER 25	11.00	9.00	071919
ER 25	12.00	9.00	071920
ER 32	4.50	3.40	071921
ER 32	5.50	4.30	071922
ER 32	6.00	4.90	071923
ER 32	7.00	5.50	071924
ER 32	8.00	6.20	071925
ER 32	9.00	7.00	071926
ER 32	10.00	8.00	071927
ER 32	11.00	9.00	071928
ER 32	12.00	9.00	071929
ER 32	14.00	11.00	071930
ER 32	16.00	12.00	071931
ER 40	7.00	5.50	071932
ER 40	8.00	6.20	071933
ER 40	9.00	7.00	071934
ER 40	10.00	8.00	071935
ER 40	11.00	9.00	071936
ER 40	12.00	9.00	071937
ER 40	14.00	11.00	071938
ER 40	16.00	12.00	071939
ER 40	18.00	14.50	071940
ER 40	20.00	16.00	071941

i

iii

B10-N: 10-13
Key on B10-I: 1

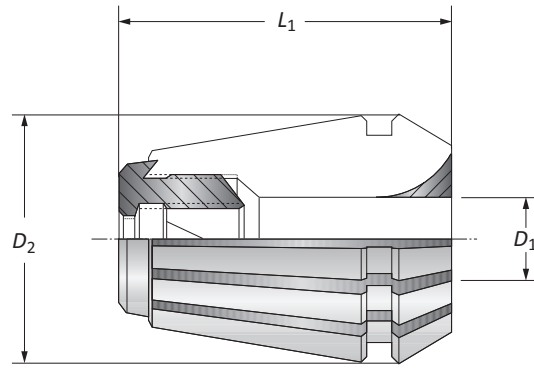
B10: xii-xiii

i = Imperial (in)
iii = Metric (mm)

A
B
C
D
E
F
G
H
I
J
K
L
M
N
INDEX

Accessories for Collet Chucks: ISO 15488-B (DIN 6499-B)

Collets

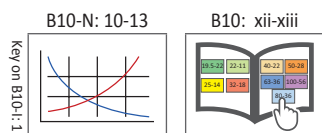


Collets for Mill Cutters with Pull Thread System

	Nominal Size	Standard-No.	Clamping Range D_2	Collet		Part No.
				L_1	D_1	
i	ER 32	470 ECL	1.260	1.811	0.236 - 0.630	071052
	ER 40	472 ECL	1.575	2.047	0.236 - 0.984	071053
m	ER 32	470 ECL	32.00	46.00	6.00 - 16.00	071052
	ER 40	472 ECL	40.00	52.00	6.00 - 25.00	071053

Collets

	Nominal Size	Collet	
		D_1	Part No.
i	ER 32	0.236	071826
	ER 32	0.315	071827
	ER 32	0.394	071828
	ER 32	0.472	071829
	ER 32	0.630	071830
	ER 32	0.236	071831
	ER 32	0.315	071832
	ER 32	0.394	071833
	ER 32	0.472	071834
	ER 32	0.630	071835
	ER 32	0.787	071836
	ER 32	0.984	071837
	m	ER 32	6.00
ER 32		8.00	071827
ER 32		10.00	071828
ER 32		12.00	071829
ER 32		16.00	071830
ER 32		6.00	071831
ER 32		8.00	071832
ER 32		10.00	071833
ER 32		12.00	071834
ER 32		16.00	071835
ER 32		20.00	071836
ER 32		25.00	071837



i = Imperial (in)
m = Metric (mm)

Collet Kit Set Accessories for Collet Chucks

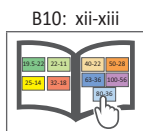
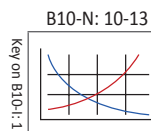


Collet Kit: ISO 15488 (DIN 6499)

	Nominal Size	Kit				Part No.
		Width	Depth	Height	Collet Space	
i	ER 16	5.512	2.835	1.772	0.394	099049
	ER 25	7.717	4.409	1.969	0.591	099050
	ER 32	9.882	5.512	2.205	0.709	099051
m	ER 16	140.00	72.00	45.00	10.00	099049
	ER 25	196.00	112.00	50.00	15.00	099050
	ER 32	251.00	140.00	56.00	18.00	099051

Collet Kit: ISO 10897 (DIN 6388)

	Nominal Size	Kit				Part No.
		Width	Depth	Height	Collet Space	
i	ER 16	8.898	6.339	3.346	0.591	099053
	ER 25	13.110	7.913	3.346	0.945	099054
	ER 32	12.598	8.268	3.346	0.591	099055
m	ER 16	226.00	161.00	85.00	15.00	099053
	ER 25	333.00	201.00	85.00	24.00	099054
	ER 32	320.00	210.00	85.00	15.00	099055



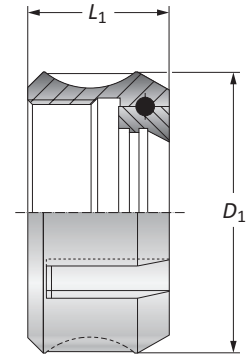
i = Imperial (in)
m = Metric (mm)

Accessories for Collet Chucks: ISO 10897 (DIN 6388)

Clamping Nuts

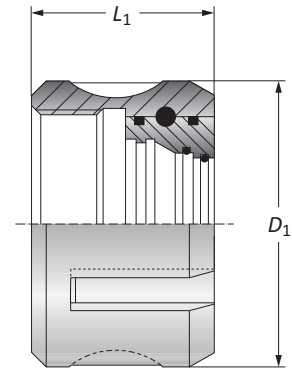
Clamping Nuts: DIN 6388 / ISO 10897 - 1:10

	Nominal Size	Clamping Nut				Part No.
		D_1	L_1	Clamping Range	Torque	
i	16	1.693	0.945	0.079 - 0.630	100	068048
	25	2.362	1.181	0.079 - 0.984	180	068052
	32	2.835	1.319	0.157 - 1.260	220	161099
m	16	43.00	24.00	2.00 - 16.00	100	068048
	25	60.00	30.00	2.00 - 25.00	180	068052
	32	72.00	33.50	4.00 - 32.00	220	161099



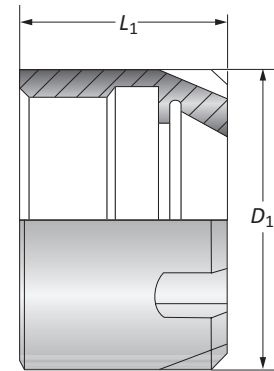
Clamping Nuts for Sealing Discs: DIN 6388 / ISO 10897 - 1:10

	Nominal Size	Clamping Nut				Part No.
		D_1	L_1	Clamping Range	Torque	
i	16	1.693	1.240	0.079 - 0.591	100	275001
	25	2.362	1.496	0.079 - 0.984	180	275003
	32	2.835	1.654	0.157 - 1.260	220	276001
m	16	43.00	31.50	2.00 - 15.00	100	275001
	25	60.00	38.00	2.00 - 25.00	180	275003
	32	72.00	42.00	4.00 - 32.00	220	276001



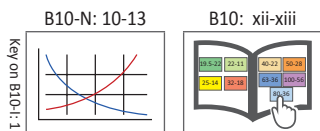
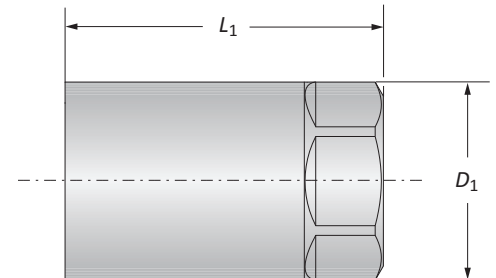
Mini Clamping Nuts

	Nominal Size	Clamping Nut				Part No.
		D_1	L_1	Clamping Range	Torque	
i	ER 08	0.472	0.425	0.039 - 0.157	8	415357
	ER 11	0.630	0.472	0.039 - 0.276	16	415358
	ER 16	0.866	0.709	0.039 - 0.394	25	415359
m	ER 08	12.00	10.80	1.00 - 4.00	8	415357
	ER 11	16.00	12.00	1.00 - 7.00	16	415358
	ER 16	22.00	18.00	1.00 - 10.00	25	415359



Clamping Nuts for Erickson Collet Chuck System

	Nominal Size	Clamping Nut			Part No.
		D_1	L_1	Clamping Range	
i	6	0.551	1.102	0.039 - 0.256	162095
	10	0.827	1.417	0.039 - 0.394	162093
m	6	14.00	28.00	1.00 - 6.50	162095
	10	21.00	36.00	1.00 - 10.00	162093



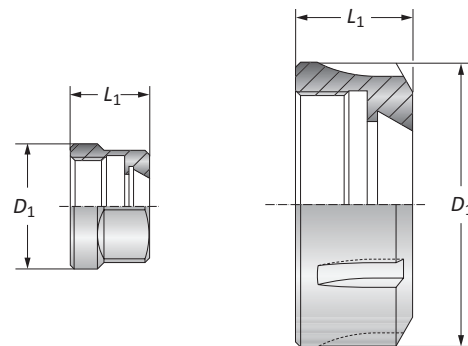
i = Imperial (in)
m = Metric (mm)

Accessories for Collet Chucks: ISO 15488 (DIN 6499)

Clamping Nuts

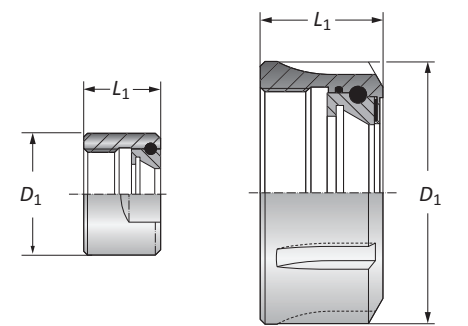
One Piece Clamping Nuts: DIN 6499 / ISO 15488 - 8°

		Clamping Nut					
		Nominal Size	D_1	L_1	Clamping Range	Torque	Part No.
i	ER 16		1.102	0.689	0.039 - 0.394	60	215922
	ER 25		1.654	0.787	0.079 - 0.630	100	215924
	ER 32		1.969	0.886	0.079 - 0.787	140	215925
	ER 40		2.480	1.004	0.157 - 1.024	180	215926
m	ER 16		28.00	17.50	1.00 - 10.00	60	215922
	ER 25		42.00	20.00	2.00 - 16.00	100	215924
	ER 32		50.00	22.50	2.00 - 20.00	140	215925
	ER 40		63.00	25.50	4.00 - 26.00	180	215926



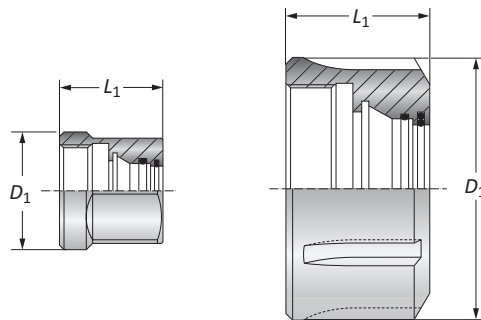
Clamping Nuts with Sliding Ring: DIN 6499 / ISO 15488 - 8°

		Clamping Nut					
		Nominal Size	D_1	L_1	Clamping Range	Torque	Part No.
i	ER 16		1.102	0.984	0.039 - 0.394	60	277001
	ER 25		1.654	1.083	0.079 - 0.630	100	277005
	ER 32		1.969	1.201	0.079 - 0.787	140	277007
	ER 40		2.480	1.339	0.157 - 1.024	180	278001
m	ER 16		28.00	25.00	1.00 - 10.00	60	277001
	ER 25		42.00	27.50	2.00 - 16.00	100	277005
	ER 32		50.00	30.50	2.00 - 20.00	140	277007
	ER 40		63.00	34.00	4.00 - 26.00	180	278001



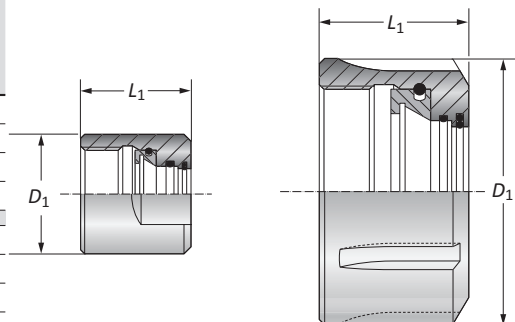
One Piece Clamping Nuts: DIN 6499 / ISO 15488 - 8°

		Clamping Nut					
		Nominal Size	D_1	L_1	Clamping Range	Torque	Part No.
i	ER 16		1.102	0.984	0.039 - 0.394	60	315015
	ER 25		1.654	1.083	0.079 - 0.630	100	315016
	ER 32		1.969	1.201	0.079 - 0.787	140	315017
	ER 40		2.480	1.339	0.157 - 1.024	180	315018
m	ER 16		28.00	20.30	1.00 - 10.00	60	315015
	ER 25		42.00	22.40	2.00 - 16.00	100	315016
	ER 32		50.00	25.00	2.00 - 20.00	140	315017
	ER 40		63.00	28.30	4.00 - 26.00	180	315018



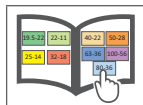
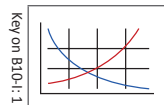
Clamping Nuts: DIN 6499 / ISO 15488 - 8°

		Clamping Nuts : ISO 15488 (DIN 6499)					
		Nominal Size	D_1	L_1	Clamping Range	Torque	Part No.
i	ER 16		1.102	0.984	0.039 - 0.394	60	277002
	ER 25		1.654	1.122	0.079 - 0.630	100	277006
	ER 32		1.969	1.240	0.079 - 0.787	140	277008
	ER 40		2.480	1.378	0.157 - 1.024	180	278002
m	ER 16		28.00	25.00	1.00 - 10.00	60	277002
	ER 25		42.00	28.50	2.00 - 16.00	100	277006
	ER 32		50.00	31.50	2.00 - 20.00	140	277008
	ER 40		63.00	35.00	4.00 - 26.00	180	278002



B10-N: 10-13

B10: xii-xiii

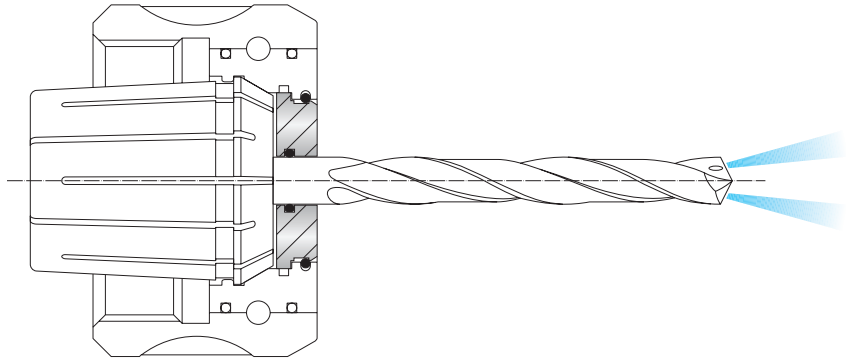


i = Imperial (in)
m = Metric (mm)

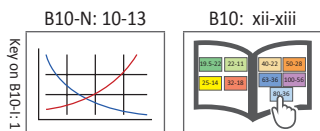
A
B
C
D
E
F
G
H
I
J
K
L
M
N
INDEX

Sealing Disks for Collet Chucks: ISO 10897 (DIN 6388)

Imperial



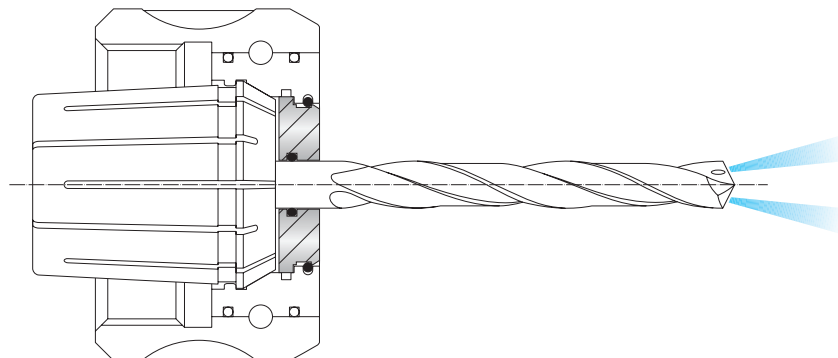
Nominal Size	Sealing Disk		Sealing Disk		Sealing Disk		Sealing Disk	
	Diameter	Part No.	Diameter	Part No.	Diameter	Part No.	Diameter	Part No.
16	0.098 - 0.118	275010	0.236 - 0.256	275017	0.374 - 0.394	275024	0.512 - 0.531	275031
16	0.118 - 0.138	275011	0.256 - 0.276	275018	0.394 - 0.413	275025	0.531 - 0.551	275032
16	0.138 - 0.157	275012	0.276 - 0.295	275019	0.413 - 0.433	275026	0.551 - 0.571	275033
16	0.157 - 0.177	275013	0.295 - 0.315	275020	0.433 - 0.453	275027	0.571 - 0.591	275034
16	0.177 - 0.197	275014	0.315 - 0.335	275021	0.453 - 0.472	275028	0.591 - 0.610	275035
16	0.197 - 0.217	275015	0.335 - 0.354	275022	0.472 - 0.492	275029	0.610 - 0.630	275036
16	0.217 - 0.236	275016	0.354 - 0.374	275023	0.492 - 0.512	275030	-	-
25	0.098 - 0.118	275040	0.335 - 0.354	275052	0.571 - 0.591	275064	0.807 - 0.827	275076
25	0.118 - 0.138	275041	0.354 - 0.374	275053	0.591 - 0.610	275065	0.807 - 0.846	275077
25	0.138 - 0.157	275042	0.374 - 0.394	275054	0.610 - 0.630	275066	0.846 - 0.866	275078
25	0.157 - 0.177	275043	0.394 - 0.413	275055	0.630 - 0.650	275067	0.866 - 0.886	275079
25	0.177 - 0.197	275044	0.413 - 0.433	275056	0.650 - 0.669	275068	0.886 - 0.906	275080
25	0.197 - 0.217	275045	0.433 - 0.453	275057	0.669 - 0.689	275069	0.906 - 0.925	275081
25	0.217 - 0.236	275046	0.453 - 0.472	275058	0.689 - 0.709	275070	0.925 - 0.945	275082
25	0.236 - 0.256	275047	0.472 - 0.492	275059	0.709 - 0.728	275071	0.945 - 0.965	275083
25	0.256 - 0.276	275048	0.492 - 0.512	275060	0.728 - 0.748	275072	0.965 - 0.984	275084
i 25	0.276 - 0.295	275049	0.512 - 0.531	275061	0.748 - 0.768	275073	-	-
i 25	0.295 - 0.315	275050	0.531 - 0.551	275062	0.768 - 0.787	275074	-	-
i 25	0.315 - 0.335	275051	0.551 - 0.571	275063	0.787 - 0.807	275075	-	-
32	0.138 - 0.157	276005	0.433 - 0.453	276020	0.728 - 0.748	276035	1.024 - 1.043	276050
32	0.157 - 0.177	276006	0.453 - 0.472	276021	0.748 - 0.768	276036	1.043 - 1.063	276051
32	0.177 - 0.197	276007	0.472 - 0.492	276022	0.768 - 0.787	276037	1.063 - 1.102	276052
32	0.197 - 0.217	276008	0.492 - 0.512	276023	0.787 - 0.807	276038	1.063 - 1.102	276053
32	0.217 - 0.236	276009	0.512 - 0.531	276024	0.807 - 0.827	276039	1.102 - 1.102	276054
32	0.236 - 0.256	276010	0.531 - 0.551	276025	0.827 - 0.846	276040	1.122 - 1.142	276055
32	0.256 - 0.276	276011	0.551 - 0.571	276026	0.846 - 0.866	276041	1.142 - 1.161	276056
32	0.276 - 0.295	276012	0.571 - 0.591	276027	0.866 - 0.886	276042	1.161 - 1.181	276057
32	0.295 - 0.315	276013	0.591 - 0.610	276028	0.886 - 0.906	276043	1.181 - 1.201	276085
32	0.315 - 0.335	276014	0.610 - 0.630	276029	0.906 - 0.925	276044	1.201 - 1.220	276059
32	0.335 - 0.354	276015	0.630 - 0.650	276030	0.925 - 0.945	276045	1.220 - 1.240	276060
32	0.354 - 0.374	276016	0.650 - 0.669	276031	0.945 - 0.965	276046	1.240 - 1.260	276061
32	0.374 - 0.394	276017	0.669 - 0.689	276032	0.965 - 0.984	276047	-	-
32	0.394 - 0.413	276018	0.669 - 0.709	276033	0.984 - 1.004	276048	-	-
32	0.413 - 0.433	276019	0.709 - 0.728	276034	1.004 - 1.024	276049	-	-



i = Imperial (in)
m = Metric (mm)

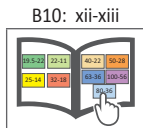
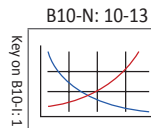
Sealing Disks for Collet Chucks: ISO 10897 (DIN 6388)

Metric



Nominal Size	Sealing Disk		Sealing Disk		Sealing Disk		Sealing Disk	
	Diameter	Part No.	Diameter	Part No.	Diameter	Part No.	Diameter	Part No.
16	2.50 - 3.00	275010	6.00 - 6.50	275017	9.50 - 10.00	275024	13.00 - 13.50	275031
16	3.00 - 3.50	275011	6.50 - 7.00	275018	10.00 - 10.50	275025	13.50 - 14.00	275032
16	3.50 - 4.00	275012	7.00 - 7.50	275019	10.50 - 11.00	275026	14.00 - 14.50	275033
16	4.00 - 4.50	275013	7.50 - 8.00	275020	11.00 - 11.50	275027	14.50 - 15.00	275034
16	4.50 - 5.00	275014	8.00 - 8.50	275021	11.50 - 12.00	275028	15.00 - 15.50	275035
16	5.00 - 5.50	275015	8.50 - 9.00	275022	12.00 - 12.50	275029	15.50 - 16.00	275036
16	5.50 - 6.00	275016	9.00 - 9.50	275023	12.50 - 13.00	275030	-	-
25	2.50 - 3.00	275040	8.50 - 9.00	275052	14.50 - 15.00	275064	20.50 - 21.00	275076
25	3.00 - 3.50	275041	9.00 - 9.50	275053	15.00 - 15.50	275065	21.00 - 21.50	275077
25	3.50 - 4.00	275042	9.50 - 10.00	275054	15.50 - 16.00	275066	21.50 - 22.00	275078
25	4.00 - 4.50	275043	10.00 - 10.50	275055	16.00 - 16.50	275067	22.00 - 22.50	275079
25	4.50 - 5.00	275044	10.50 - 11.00	275056	16.50 - 17.00	275068	22.50 - 23.00	275080
25	5.00 - 5.50	275045	11.00 - 11.50	275057	17.00 - 17.50	275069	23.00 - 23.50	275081
25	5.50 - 6.00	275046	11.50 - 12.00	275058	17.50 - 18.00	275070	23.50 - 24.00	275082
25	6.00 - 6.50	275047	12.00 - 12.50	275059	18.00 - 18.50	275071	24.00 - 24.50	275083
25	6.50 - 7.00	275048	12.50 - 13.00	275060	18.50 - 19.00	275072	24.50 - 25.00	275084
25	7.00 - 7.50	275049	13.00 - 13.50	275061	19.00 - 19.50	275073	-	-
25	7.50 - 8.00	275050	13.50 - 14.00	275062	19.50 - 20.00	275074	-	-
25	8.00 - 8.50	275051	14.00 - 14.50	275063	20.00 - 20.50	275075	-	-
32	3.50 - 4.00	276005	11.00 - 11.50	276020	18.50 - 19.00	276035	26.00 - 26.50	276050
32	4.00 - 4.50	276006	11.50 - 12.00	276021	19.00 - 19.50	276036	26.50 - 27.00	276051
32	4.50 - 5.00	276007	12.00 - 12.50	276022	19.50 - 20.00	276037	27.50 - 28.00	276052
32	5.00 - 5.50	276008	12.50 - 13.00	276023	20.00 - 20.50	276038	27.50 - 28.00	276053
32	5.50 - 6.00	276009	13.00 - 13.50	276024	20.50 - 21.00	276039	28.00 - 28.50	276054
32	6.00 - 6.50	276010	13.50 - 14.00	276025	21.00 - 21.50	276040	28.50 - 29.00	276055
32	6.50 - 7.00	276011	14.00 - 14.50	276026	21.50 - 22.00	276041	29.00 - 29.50	276056
32	7.00 - 7.50	276012	14.50 - 15.00	276027	22.00 - 22.50	276042	29.50 - 30.00	276057
32	7.50 - 8.00	276013	15.00 - 15.50	276028	22.50 - 23.00	276043	30.00 - 30.50	276058
32	8.00 - 8.50	276014	15.50 - 16.00	276029	23.00 - 23.50	276044	30.50 - 31.00	276059
32	8.50 - 9.00	276015	16.00 - 16.50	276030	23.50 - 24.00	276045	31.00 - 31.50	276060
32	9.00 - 9.50	276016	16.50 - 17.00	276031	24.00 - 24.50	276046	31.50 - 32.00	276061
32	9.50 - 10.00	276017	17.00 - 17.50	276032	24.50 - 25.00	276047	-	-
32	10.00 - 10.50	276018	17.50 - 18.00	276033	25.00 - 25.50	276048	-	-
32	10.50 - 11.00	276019	18.00 - 18.50	276034	25.50 - 26.00	276049	-	-

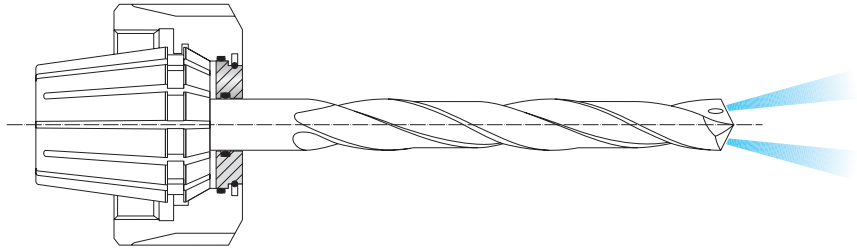
Ⓜ



Ⓜ = Imperial (in)
Ⓜ = Metric (mm)

Sealing Disks Collet Chucks: ISO 15488 (DIN 6499)

Imperial

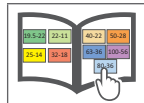
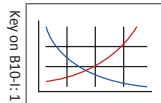


Nominal Size	Sealing Disk		Sealing Disk		Sealing Disk		Sealing Disk	
	Diameter	Part No.	Diameter	Part No.	Diameter	Part No.	Diameter	Part No.
ER 16	0.098 - 0.118	277010	0.177 - 0.197	277014	0.256 - 0.276	277018	0.335 - 0.354	277022
ER 16	0.117 - 0.138	277011	0.197 - 0.217	277015	0.276 - 0.295	277019	0.354 - 0.374	277023
ER 16	0.138 - 0.157	277012	0.217 - 0.236	277016	0.295 - 0.315	277020	0.374 - 0.394	277024
ER 16	0.157 - 0.177	277013	0.236 - 0.256	277017	0.315 - 0.335	277021	-	-
ER 25	0.098 - 0.118	277025	0.236 - 0.256	277032	0.374 - 0.394	277039	0.512 - 0.531	277046
ER 25	0.118 - 0.138	277026	0.256 - 0.276	277033	0.394 - 0.413	277040	0.531 - 0.551	277047
ER 25	0.138 - 0.157	277027	0.276 - 0.295	277034	0.413 - 0.433	277041	0.551 - 0.571	277048
ER 25	0.157 - 0.177	277028	0.295 - 0.315	277035	0.433 - 0.453	277042	0.571 - 0.591	277049
ER 25	0.177 - 0.197	277029	0.315 - 0.335	277036	0.453 - 0.472	277043	0.591 - 0.610	277050
ER 25	0.197 - 0.217	277030	0.335 - 0.354	277037	0.472 - 0.492	277044	0.610 - 0.630	277051
ER 25	0.217 - 0.236	277031	0.354 - 0.374	277038	0.492 - 0.512	277045	-	-
ER 32	0.098 - 0.118	277055	0.276 - 0.295	277064	0.453 - 0.472	277073	0.630 - 0.650	277082
ER 32	0.118 - 0.138	277056	0.295 - 0.315	277065	0.472 - 0.492	277074	0.650 - 0.669	277083
ER 32	0.138 - 0.157	277057	0.315 - 0.335	277066	0.492 - 0.512	277075	0.669 - 0.689	277084
ER 32	0.157 - 0.177	277058	0.335 - 0.354	277067	0.512 - 0.531	277076	0.689 - 0.709	277085
ER 32	0.177 - 0.197	277059	0.354 - 0.374	277068	0.531 - 0.551	277077	0.709 - 0.728	277086
ER 32	0.197 - 0.217	277060	0.374 - 0.394	277069	0.551 - 0.571	277078	0.728 - 0.748	277087
ER 32	0.217 - 0.236	277061	0.394 - 0.413	277070	0.571 - 0.591	277079	0.748 - 0.768	277088
ER 32	0.236 - 0.256	277062	0.413 - 0.433	277071	0.591 - 0.610	277080	0.768 - 0.787	277089
ER 32	0.256 - 0.276	277063	0.433 - 0.453	277072	0.610 - 0.630	277081	-	-
ER 40	0.098 - 0.118	278005	0.335 - 0.354	278017	0.571 - 0.591	278029	0.807 - 0.827	278041
ER 40	0.118 - 0.138	278006	0.354 - 0.374	278018	0.591 - 0.610	278030	0.827 - 0.846	278042
ER 40	0.138 - 0.157	278007	0.374 - 0.394	278019	0.610 - 0.630	278031	0.846 - 0.866	278043
ER 40	0.157 - 0.177	278008	0.394 - 0.413	278020	0.630 - 0.650	278032	0.866 - 0.886	278044
ER 40	0.177 - 0.197	278009	0.413 - 0.433	278021	0.650 - 0.669	278033	0.866 - 0.906	278045
ER 40	0.197 - 0.217	278010	0.433 - 0.453	278022	0.669 - 0.689	278034	0.906 - 0.925	278046
ER 40	0.217 - 0.236	278011	0.453 - 0.472	278023	0.689 - 0.709	278035	0.925 - 0.945	278047
ER 40	0.236 - 0.256	278012	0.472 - 0.492	278024	0.709 - 0.728	278036	0.945 - 0.965	278048
ER 40	0.256 - 0.276	278013	0.492 - 0.512	278025	0.728 - 0.748	278037	0.965 - 0.984	278049
ER 40	0.276 - 0.295	278014	0.512 - 0.531	278026	0.748 - 0.768	278038	0.984 - 1.004	278050
ER 40	0.295 - 0.315	278015	0.531 - 0.551	278027	0.768 - 0.787	278039	1.004 - 1.024	278051
ER 40	0.315 - 0.335	278016	0.551 - 0.571	278028	0.787 - 0.807	278040	-	-

i

B10-N: 10-13

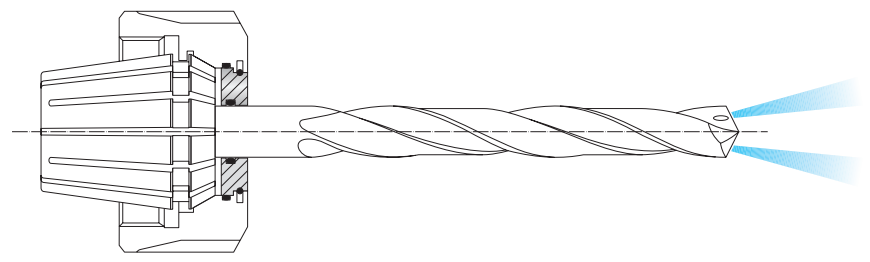
B10: xii-xiii



i = Imperial (in)
m = Metric (mm)

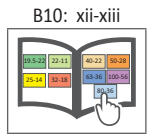
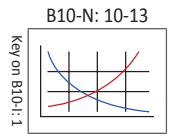
Sealing Disks Collet Chucks: ISO 15488 (DIN 6499)

Metric



Nominal Size	Sealing Disk		Sealing Disk		Sealing Disk		Sealing Disk	
	Diameter	Part No.	Diameter	Part No.	Diameter	Part No.	Diameter	Part No.
ER 16	2.50 - 3.00	277010	4.50 - 5.00	277014	6.50 - 7.00	277018	8.50 - 9.00	277022
ER 16	3.00 - 3.50	277011	5.00 - 5.50	277015	7.00 - 7.50	277019	9.00 - 9.50	277023
ER 16	3.50 - 4.00	277012	5.50 - 6.00	277016	7.50 - 8.00	277020	9.50 - 10.00	277024
ER 16	4.00 - 4.50	277013	6.00 - 6.50	277017	8.00 - 8.50	277021	-	-
ER 25	2.50 - 3.00	277025	6.00 - 6.50	277032	9.50 - 10.00	277039	13.00 - 13.50	277046
ER 25	3.00 - 3.50	277026	6.50 - 7.00	277033	10.00 - 10.50	277040	13.50 - 14.00	277047
ER 25	3.50 - 4.00	277027	7.00 - 7.50	277034	10.50 - 11.00	277041	14.00 - 14.50	277048
ER 25	4.00 - 4.50	277028	7.50 - 8.00	277035	11.00 - 11.50	277042	14.50 - 15.00	277049
ER 25	4.50 - 5.00	277029	8.00 - 8.50	277036	11.50 - 12.00	277043	15.00 - 15.50	277050
ER 25	5.00 - 5.50	277030	8.50 - 9.00	277037	12.00 - 12.50	277044	15.50 - 16.00	277051
ER 25	5.50 - 6.00	277031	9.00 - 9.50	277038	12.50 - 13.00	277045	-	-
ER 32	2.50 - 3.00	277055	7.00 - 7.50	277064	11.50 - 12.00	277073	16.00 - 16.50	277082
ER 32	3.00 - 3.50	277056	7.50 - 8.00	277065	12.00 - 12.50	277074	16.50 - 17.00	277083
ER 32	3.50 - 4.00	277057	8.00 - 8.50	277066	12.50 - 13.00	277075	17.00 - 17.50	277084
ER 32	4.00 - 4.50	277058	8.50 - 9.00	277067	13.00 - 13.50	277076	17.50 - 18.00	277085
ER 32	4.50 - 5.00	277059	9.00 - 9.50	277068	13.50 - 14.00	277077	18.00 - 18.50	277086
ER 32	5.00 - 5.50	277060	9.50 - 10.00	277069	14.00 - 14.50	277078	18.50 - 19.00	277087
ER 32	5.50 - 6.00	277061	10.00 - 10.50	277070	14.50 - 15.00	277079	19.00 - 19.50	277088
ER 32	6.00 - 6.50	277062	10.50 - 11.00	277071	15.00 - 15.50	277080	19.50 - 20.00	277089
ER 32	6.50 - 7.00	277063	11.00 - 11.50	277072	15.50 - 16.00	277081	-	-
ER 40	2.50 - 3.00	278005	8.50 - 9.00	278017	14.50 - 15.00	278029	20.50 - 21.00	278041
ER 40	3.00 - 3.50	278006	9.00 - 9.50	278018	15.00 - 15.50	278030	21.00 - 21.50	278042
ER 40	3.50 - 4.00	278007	9.50 - 10.00	278019	15.50 - 16.00	278031	21.50 - 22.00	278043
ER 40	4.00 - 4.50	278008	10.00 - 10.50	278020	16.00 - 16.50	278032	22.00 - 22.50	278044
ER 40	4.50 - 5.00	278009	10.50 - 11.00	278021	16.50 - 17.00	278033	22.50 - 23.00	278045
ER 40	5.00 - 5.50	278010	11.00 - 11.50	278022	17.00 - 17.50	278034	23.00 - 23.50	278046
ER 40	5.50 - 6.00	278011	11.50 - 12.00	278023	17.50 - 18.00	278035	23.50 - 24.00	278047
ER 40	6.00 - 6.50	278012	12.00 - 12.50	278024	18.00 - 18.50	278036	24.00 - 24.50	278048
ER 40	6.50 - 7.00	278013	12.50 - 13.00	278025	18.50 - 19.00	278037	24.50 - 25.00	278049
ER 40	7.00 - 7.50	278014	13.00 - 13.50	278026	19.00 - 19.50	278038	25.00 - 25.50	278050
ER 40	7.50 - 8.00	278015	13.50 - 14.00	278027	19.50 - 20.00	278039	25.50 - 26.00	278051
ER 40	8.00 - 8.50	278016	14.00 - 14.50	278028	20.00 - 20.50	278040	-	-

Ⓜ



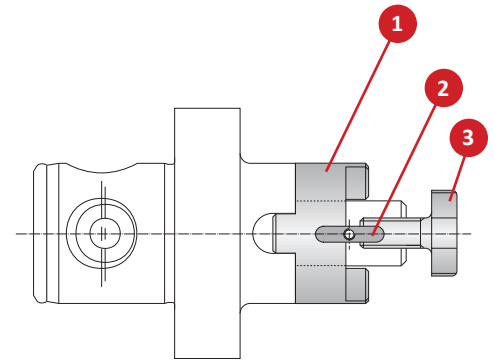
Ⓜ = Imperial (in)
Ⓜ = Metric (mm)

A
B
C
D
E
F
G
H
I
J
K
L
M
N
INDEX

Accessories for Milling Machine Arbors

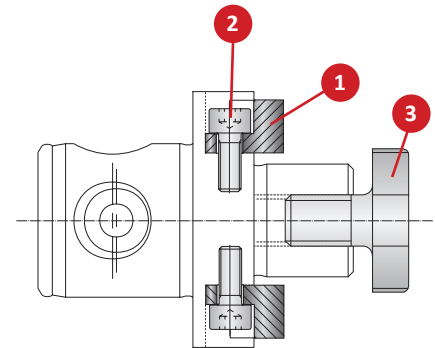
Accessories for Milling Machine Arbors

Shell-Mill Adapter	Part No.		
	1 Clutch Drive Ring	2 Axial Drive Key	3 Retaining Screw
13	115708	115709	115707
16	115696	215608	115697
22	115341	215609	115345
27	115342	215610	115346
32	115343	215611	115347
40	115344	215612	115348



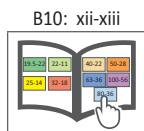
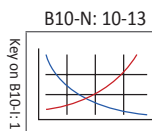
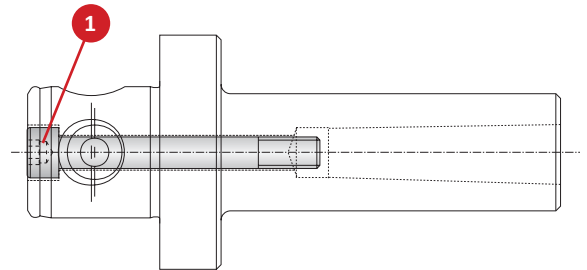
Accessories for Milling Machine Arbors

Shell-Mill Adapter	Part No.		
	1 Drive Key	2 Cap Screw	3 Retaining Screw
16	215701	115566-1	115697
22	215702	108109-1	115345
27	215703	109109	115346
32	215704	115147	115347
40	215705	116152	115348
60	115643	115237	-



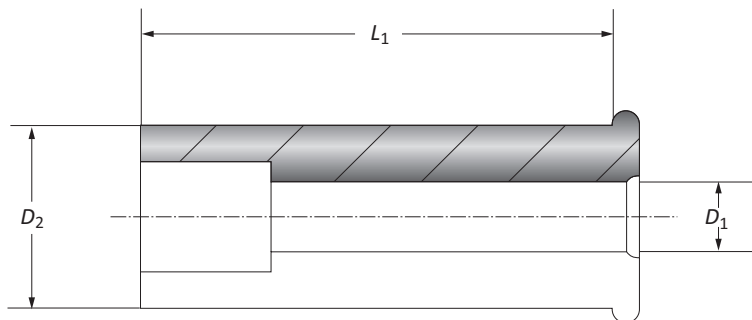
Accessories for Holding Arbors

Adapter Sleeves	Part No.	
	1 Cap Screw	Service Key
209022	115929	s5
209023	115930	s7
209024	115932	s8
209025	115933	s5
209026	115169-1	s8
209027	115934	s10
209028	115936	s12

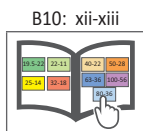
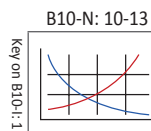


i = Imperial (in)
m = Metric (mm)

Reducing Sleeves for Hydraulic Clamping Chucks

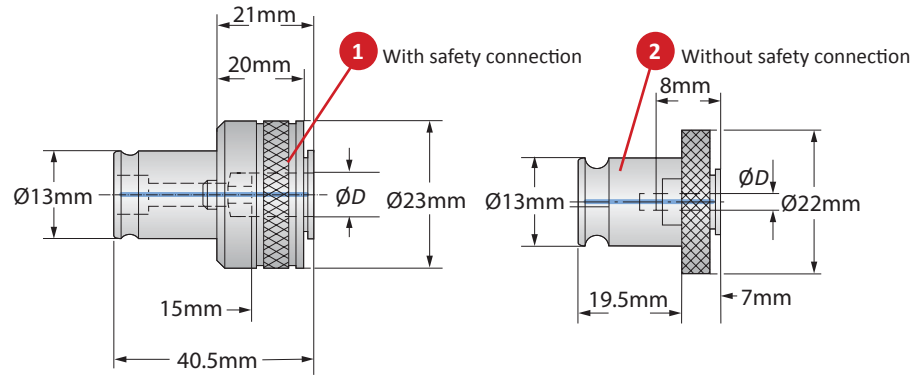


	Nominal Size	Reducing Sleeve		Part No.
	D_2	D_1	L_1	
i	0.787	0.118	1.988	271067
	0.787	0.157	1.988	271068
	0.787	0.197	1.988	271069
	0.787	0.236	1.988	271070
	0.787	0.276	1.988	271049
	0.787	0.315	1.988	271071
	0.787	0.354	1.988	271050
	0.787	0.394	1.988	271072
	0.787	0.433	1.988	271051
	0.787	0.472	1.988	271073
	0.787	0.512	1.988	271052
	0.787	0.551	1.988	271074
	0.787	0.591	1.988	271018
	0.787	0.630	1.988	271008
m	20.00	3.00	50.50	271067
	20.00	4.00	50.50	271068
	20.00	5.00	50.50	271069
	20.00	6.00	50.50	271070
	20.00	7.00	50.50	271049
	20.00	8.00	50.50	271071
	20.00	9.00	50.50	271050
	20.00	10.00	50.50	271072
	20.00	11.00	50.50	271051
	20.00	12.00	50.50	271073
	20.00	13.00	50.50	271052
	20.00	14.00	50.50	271074
	20.00	15.00	50.50	271018
	20.00	16.00	50.50	271008

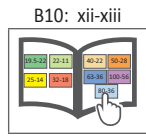
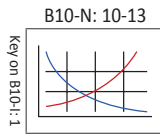


i = Imperial (in)
m = Metric (mm)

Quick Change Adapters

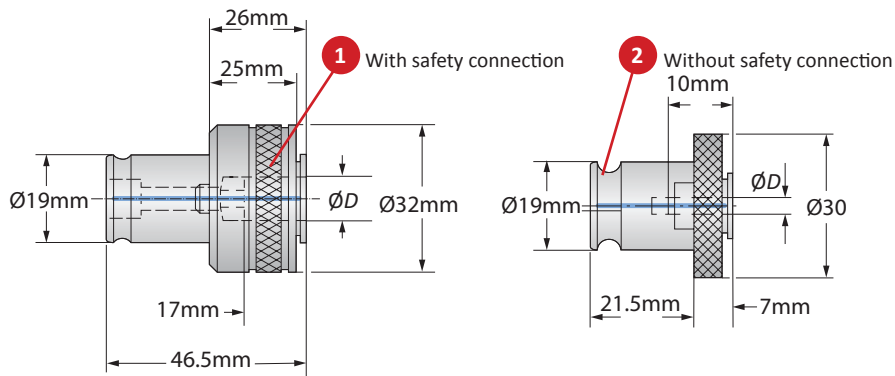


Shank Dimensions		Quick Change Adapter									Part No.	
Nominal Size	D x Square Shank	DIN 352	DIN 353	DIN 371	DIN 374	DIN 376	DIN 2182	DIN 2183	Torque Setting	1	2	
i	0	0.083 x 0.098	M 1	-	M 1	-	M 3.5	1/16"	-	1.5 - 2	233070	K24358
	0	0.083 x 0.110	M 2	-	M 2	M 4	M 4	3/32"	5/32"	2 - 3	233071	K24276
	0	0.106 x 0.138	M 3	-	M 3	M 5	M 5	1/8"	-	4 - 6	233072	K24277
	0	0.118 x 0.157	M 3.5	-	M 3.5	-	-	-	-	1.5 - 2	233073	K24278
	0	0.138 x 0.177	M 4	-	M 4	M 6	M 6	5/32"	1/4"	6 - 9	233074	K24279
	0	0.193 x 0.236	M 8	-	-	M 8	M 8	-	-	16 - 21	233075	K24280
	0	0.217 x 0.276	M 10	G 1/8"	-	M 10	M 10	1/4"	3/8"	27 - 32	233076	K24281
	0	0.244 x 0.315	-	-	M 8	-	-	5/16"	7/16"	16 - 21	233077	K24391
m	0	2.10 x 2.50	M 1	-	M 1	-	M 3.5	1/16"	-	1.5 - 2	233070	K24358
	0	2.10 x 2.80	M 2	-	M 2	M 4	M 4	3/32"	5/32"	2 - 3	233071	K24276
	0	2.70 x 3.50	M 3	-	M 3	M 5	M 5	1/8"	-	4 - 6	233072	K24277
	0	3.00 x 4.00	M 3.5	-	M 3.5	-	-	-	-	1.5 - 2	233073	K24278
	0	3.40 x 4.50	M 4	-	M 4	M 6	M 6	5/32"	1/4"	6 - 9	233074	K24279
	0	4.90 x 6.00	M 8	-	-	M 8	M 8	-	-	16 - 21	233075	K24280
	0	5.50 x 7.00	M 10	G 1/8"	-	M 10	M 10	1/4"	3/8"	27 - 32	233076	K24281
	0	6.20 x 8.00	-	-	M 8	-	-	5/16"	7/16"	16 - 21	233077	K24391



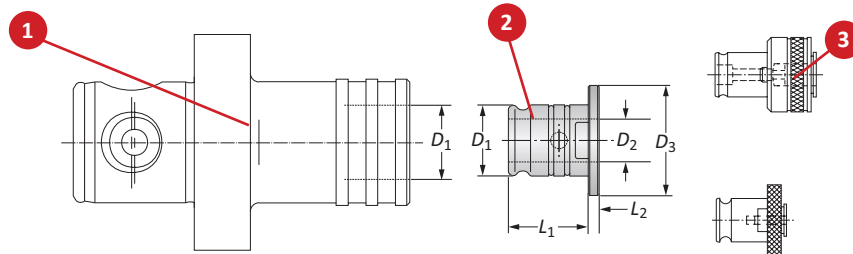
i = Imperial (in)
m = Metric (mm)

Quick Change Adapters



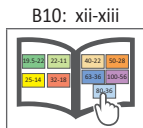
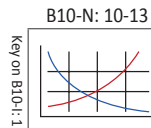
Quick Change Adapters

	Shank Dimensions		Quick Change Adapter							Part No.		
	Nominal Size	D x Square Shank	DIN 352	DIN 353	DIN 371	DIN 374	DIN 376	DIN 2182	DIN 2183	Torque Setting	1	2
i	1	0.083 x 0.110	M 2	-	M 2.8	M 4	M 4	3/32"	5/32"	2 - 3	K17847	K23259
	1	0.106 x 0.138	M 3	-	M 3.5	M 5	M 5	1/8"	-	4 - 6	233001	K18455
	1	0.118 x 0.157	M 3.5	-	M 3.5	-	-	-	-	1.5 - 2	233002	K22439
	1	0.134 x 0.177	M 4	-	M 4	M 6	M 6	5/32"	1/4"	6 - 9	233003	K16414
	1	0.193 x 0.236	M 8	-	-	M 8	M 8	-	-	16 - 21	233004	K16415
	1	0.217 x 0.276	M 10	-	-	M 10	M 10	1/4"	3/8"	27 - 32	233005	K16418
	1	0.244 x 0.315	-	G 1/8"	M 8	-	-	5/16"	7/16"	16 - 21	233006	K16416
	1	0.276 x 0.354	M 12	-	-	M 12	M 12	3/8"	1/2"	37 - 44	233007	K18454
	1	0.315 x 0.394	-	-	M 10	-	-	-	-	27 - 32	233008	K16417
	1	0.354 x 0.433	M 14	G 1/4"	-	M 14	M 14	-	9/16"	50 - 53	233009	K22440
m	1	2.10 x 2.80	M 2	-	M 2.8	M 4	M 4	3/32"	5/32"	2 - 3	K17847	K23259
	1	2.70 x 3.50	M 3	-	M 3.5	M 5	M 5	1/8"	-	4 - 6	233001	K18455
	1	3.00 x 4.00	M 3.5	-	M 3.5	-	-	-	-	1.5 - 2	233002	K22439
	1	3.40 x 4.50	M 4	-	M 4	M 6	M 6	5/32"	1/4"	6 - 9	233003	K16414
	1	4.90 x 6.00	M 8	-	-	M 8	M 8	-	-	16 - 21	233004	K16415
	1	5.50 x 7.00	M 10	-	-	M 10	M 10	1/4"	3/8"	27 - 32	233005	K16418
	1	6.20 x 8.00	-	G 1/8"	M 8	-	-	5/16"	7/16"	16 - 21	233006	K16416
	1	7.00 x 9.00	M 12	-	-	M 12	M 12	3/8"	1/2"	37 - 44	233007	K18454
	1	8.00 x 10.00	-	-	M 10	-	-	-	-	27 - 32	233008	K16417
	1	9.00 x 11.00	M 14	G 1/4"	-	M 14	M 14	-	9/16"	50 - 53	233009	K22440



Reducers for Quick Change Adapters

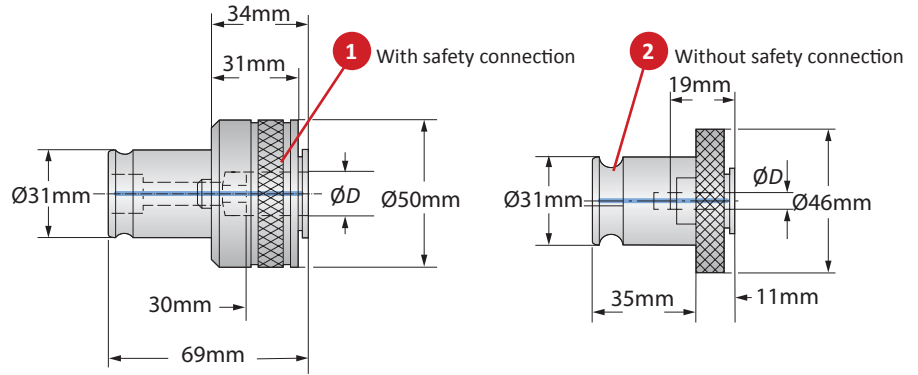
	1 Tapping Chuck		2 Quick Change Adapter		3. Reducer					Weight	Part No.
	Nominal Size	D ₁	Nominal Size	D ₁	D ₁	D ₂	D ₃	L ₁	L ₂		
i	1	0.748	0	0.512	0.748	0.512	1.181	0.846	0.157	0.264 (lbs)	161038
	2	1.220	1	0.748	1.220	0.748	1.890	1.378	0.197	1.058 (lbs)	162094
m	1	19.00	0	13.00	19.00	13.00	30.00	21.50	4.00	0.12 (kg)	161038
	2	31.00	1	19.00	31.00	19.00	48.00	35.00	5.00	0.48 (kg)	162094



i = Imperial (in)
m = Metric (mm)

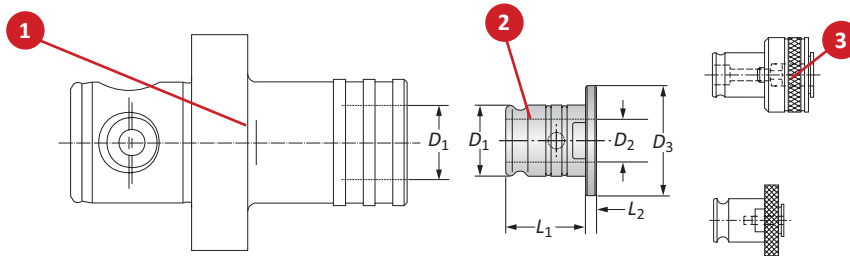
A
B
C
D
E
F
G
H
I
J
K
L
M
N
INDEX

Quick Change Adapters



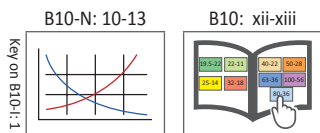
Quick Change Adapters

Shank Dimensions		Quick Change Adapter									Part No.	
Nominal Size	D x Square Shank	DIN 352	DIN 353	DIN 371	DIN 374	DIN 376	DIN 2182	DIN 2183	Torque Setting	1	2	
2	0.217 x 0.276	M 10	G 1/8"	-	M 10	M 10	1/4"	3/8"	24 - 32	233020	K15282	
2	0.244 x 0.315	-	-	M 8	-	-	5/16"	7/16"	16 - 21	233021	K15283	
2	0.276 x 0.354	M 12	-	-	M 12	M 12	3/8"	1/2"	37 - 44	233022	K15284	
2	0.315 x 0.394	-	-	M 10	-	-	-	-	27 - 32	233023	K18456	
2	0.354 x 0.433	M 14	G 1/4"	-	M 14	M 14	-	9/16"	50 - 53	233024	K16419	
2	0.354 x 0.472	M 16	G 3/8"	-	M 16	M 16	-	5/8"	55 - 58	233025	K15285	
2	0.433 x 0.551	M 18	-	-	M 18	M 18	-	11/16"	85 - 90	233026	K16420	
2	0.472 x 0.630	M 20	G 1/2"	-	M 20	M 20	-	13/16"	110 - 115	233027	K15286	
2	0.571 x 0.709	M 24	-	-	M 24	M 24	-	15/16"	110 - 115	233028	K18457	
Imperial (in)												
2	5.50 x 7.00	M 10	G 1/8"	-	M 10	M 10	1/4"	3/8"	24 - 32	233020	K15282	
2	6.20 x 8.00	-	-	M 8	-	-	5/16"	7/16"	16 - 21	233021	K15283	
2	7.00 x 9.00	M 12	-	-	M 12	M 12	3/8"	1/2"	37 - 44	233022	K15284	
2	8.00 x 10.00	-	-	M 10	-	-	-	-	27 - 32	233023	K18456	
2	9.00 x 11.00	M 14	G 1/4"	-	M 14	M 14	-	9/16"	50 - 53	233024	K16419	
2	9.00 x 12.00	M 16	G 3/8"	-	M 16	M 16	-	5/8"	55 - 58	233025	K15285	
2	11.00 x 14.00	M 18	-	-	M 18	M 18	-	11/16"	85 - 90	233026	K16420	
2	12.00 x 16.00	M 20	G 1/2"	-	M 20	M 20	-	13/16"	110 - 115	233027	K15286	
2	14.50 x 18.00	M 24	-	-	M 24	M 24	-	15/16"	110 - 115	233028	K18457	
Metric (mm)												



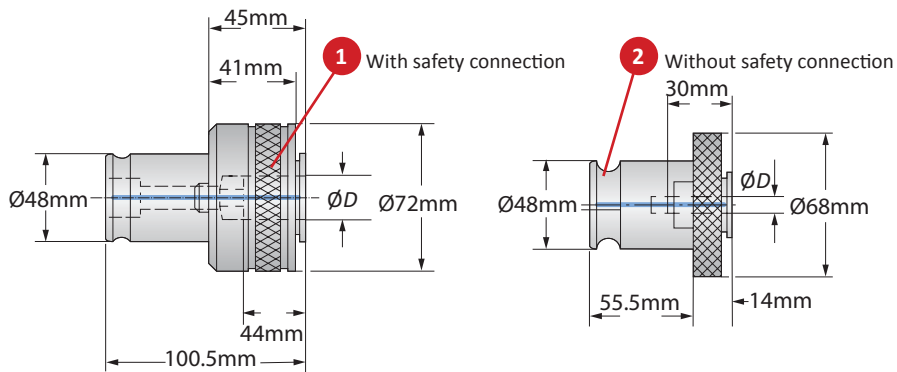
Reducers for Quick Change Adapters

1 Tapping Chuck		2 Quick Change Adapter		3 Reducer						Weight	Part No.
Nominal Size	D ₁	Nominal Size	D ₁	D ₁	D ₂	D ₃	L ₁	L ₂			
1	0.748	0	0.512	0.748	0.512	1.181	0.846	0.157	0.264 (lbs)	161038	
2	1.220	1	0.748	1.220	0.748	1.890	1.378	0.197	1.058 (lbs)	162094	
Imperial (in)											
1	19.00	0	13.00	19.00	13.00	30.00	21.50	4.00	0.12 (kg)	161038	
2	31.00	1	19.00	31.00	19.00	48.00	35.00	5.00	0.48 (kg)	162094	
Metric (mm)											

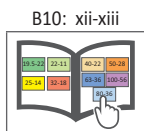
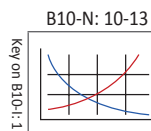


i = Imperial (in)
m = Metric (mm)

Quick Change Adapters



Shank Dimensions		Quick Change Adapters								Part No.		
Nominal Size	D x Square Shank	DIN 352	DIN 353	DIN 371	DIN 374	DIN 376	DIN 2182	DIN 2183	Torque Setting	1	2	
i	3	0.354 x 0.433	M 14	G ¼"	-	M 14	M 14	-	9/16"	50 - 53	233040	K22434
	3	0.354 x 0.472	M 16	G ⅜"	-	M 16	M 16	-	¾"	55 - 58	233041	K22435
	3	0.433 x 0.551	M 18	-	-	M 18	M 18	-	1 1/16"	85 - 90	233042	K22436
	3	0.472 x 0.630	M 20	G ½"	-	M 20	M 20	-	1 3/8"	100 - 106	233043	K22437
	3	0.571 x 0.709	M 24	-	-	M 24	M 24	-	1 5/16"	140 - 150	233044	K16421
	3	0.650 x 0.787	M 27	G ¾"	-	M 27	M 27	-	1"	150 - 160	233045	K16422
	3	0.709 x 0.866	M 30	G ⅞"	-	M 30	M 30	-	1 1/8"	240 - 250	233046	K16423
	3	0.866 x 0.984	M 33	G 1"	-	M 33	M 33	-	1 1/4"	260 - 270	233047	K16424
m	3	0.866 x 1.102	M 36	G 1 1/8"	-	M 36	M 36	-	1 3/8"	260 - 270	233048	K22438
	3	9.00 x 11.00	M 14	G ¼"	-	M 14	M 14	-	9/16"	50 - 53	233040	K22434
	3	9.00 x 12.00	M 16	G ⅜"	-	M 16	M 16	-	5/8"	55 - 58	233041	K22435
	3	11.00 x 14.00	M 18	-	-	M 18	M 18	-	1 1/16"	85 - 90	233042	K22436
	3	12.00 x 16.00	M 20	G ½"	-	M 20	M 20	-	1 3/8"	100 - 106	233043	K22437
	3	14.50 x 18.00	M 24	-	-	M 24	M 24	-	1 5/16"	140 - 150	233044	K16421
	3	16.50 x 20.00	M 27	G ¾"	-	M 27	M 27	-	1"	150 - 160	233045	K16422
	3	18.00 x 22.00	M 30	G ⅞"	-	M 30	M 30	-	1 1/8"	240 - 250	233046	K16423
	3	22.00 x 25.00	M 33	G 1"	-	M 33	M 33	-	1 1/4"	260 - 270	233047	K16424
	3	22.00 x 28.00	M 36	G 1 1/8"	-	M 36	M 36	-	1 3/8"	260 - 270	233048	K22438

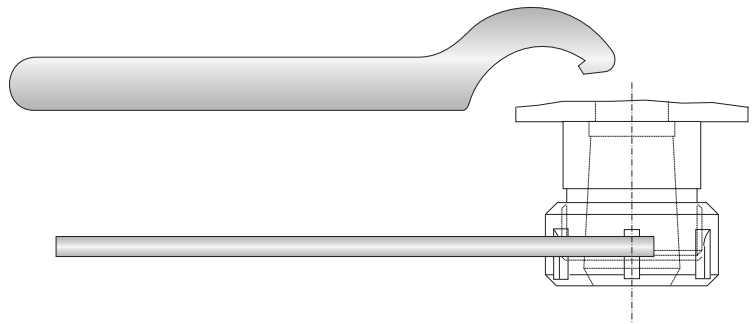


i = Imperial (in)
m = Metric (mm)

Service Keys for Collet Systems

Service Keys for ISO 10897 (DIN 6388) Collet Chuck Systems

Service Key			
Nominal Size	Size	Type	Part No.
16	40 - 43	S	068179
25	58 - 62	S	068182
32	68 - 75	S	115867



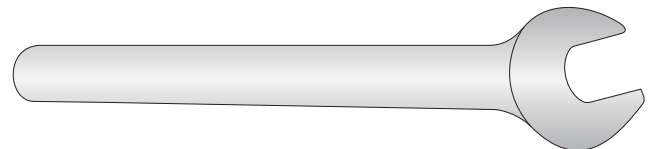
Service Keys for ISO 15488 (DIN 6499) Collet Chuck Systems

Service Key				
Nominal Size	Size	Service Key	Type	Part No.
ER 08 Mini	9.0	-	X	415373
ER 11 Mini	12.0	-	X	415374
ER 16 Mini	17.5	-	X	415375
ER 16	-	25	P	215927
ER 25	42.0	-	T	215929
ER 32	50.0	-	T	215930
ER 40	63.0	-	T	215931

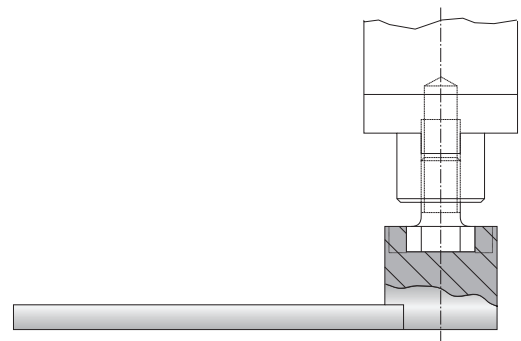


Service Keys for Erickson Collet Chuck Systems

Service Key		
Service Key	Type	Part No.
13	P	315689
19	P	315691



Service Keys	
Service Key	Part No.
13	115785
16	115699
22	115660
27	115661
32	115662
40	115663
60	315637



B10-N: 10-13 B10: xii-xiii

Key on B10-I: 1

i = Imperial (in)
m = Metric (mm)

SECTION

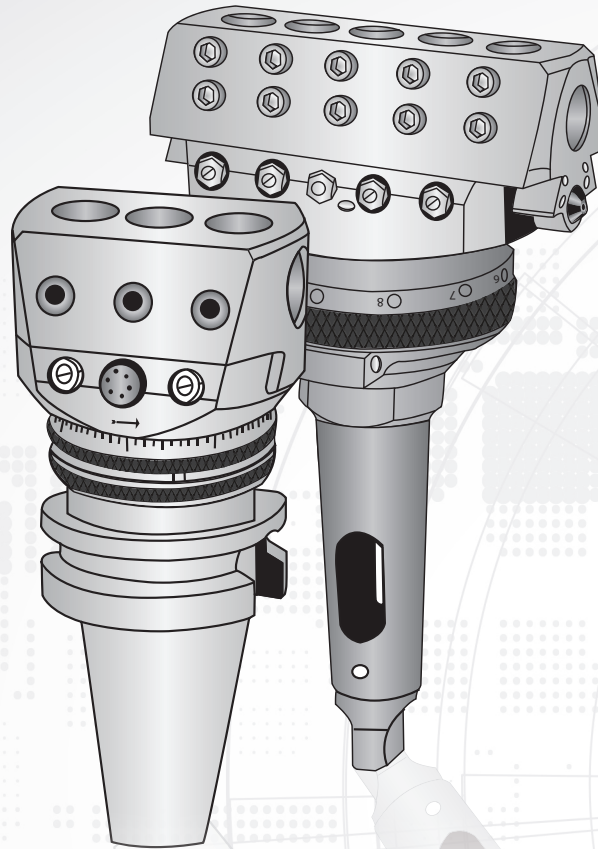
B10-J

UPA Versatile Boring Heads

Wohlhaupter® UPA Versatile Boring Heads

UPA 3 | UPA 4 | UPA 5s6

▶ Diameter Range: 0.000" - 24.409" (0.00mm - 620.00mm)



Operation Facing and Boring

In 1936, the first model of the Wohlhaupter Universal Facing and Boring head was developed to launch the start of Wohlhaupter boring products. It became a staple to the boring industry.

Universal Facing and Boring heads are used on universal milling and boring machines, boring mills, and jig boring machines for machining stationary workpieces in individual and batch productions.

Your safety and the safety of others is very important. This catalog contains important safety messages. Always read and follow all safety precautions.



This triangle is a safety hazard symbol. It alerts you to potential safety hazards that can cause tool failure and serious injury.

When you see this symbol in the catalog, look for a related safety message that may be near this triangle or referred to in the nearby text.

There are safety signal words also used in the catalog. Safety messages follow these words.

WARNING

WARNING (shown above) means that failure to follow the precautions in this message could result in tool failure and serious injury.

NOTICE means that failure to follow the precautions in this message could result in damage to the tool or machine but not result in personal injury.

NOTE and **IMPORTANT** are also used. These are important that you read and follow but are not safety-related.

Visit www.alliedmachine.com for the most up-to-date information and procedures.

Applicable Industries



Aerospace



Agriculture



Automotive



Firearms



General
Machining



Oil & Gas



Renewable
Energy

Universal Versatile Boring Heads Table of Contents

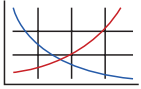
Reference Icons

The following icons will appear throughout the catalog to help you navigate between products.



Setup / Assembly Information

Detailed instructions and information regarding the corresponding part(s)



Recommended Cutting Data

Speed and feed recommendations for optimum and safe drilling

Introduction

UPA Product Overview 2 - 3

UPA 3 Boring System

UPA 3 Boring Heads and Accessories 4 - 5

UPA 3 Shanks 6 - 7

UPA 4 and 5s6 Boring System

UPA 4 Boring Heads and Accessories 8 - 9

UPA 5-S 6 Boring Heads and Accessories 10 - 11

UPA 4 and 5-S 6 Shanks 12

Technical Data and Chip Production Values 13

UPA Boring System Diagram 14 - 15

Series	Diameter Range	
	Imperial (inch)	Metric (mm)
UPA 3	0.000 - 10.230	0.00 - 260.00
UPA 4	0.000 - 15.740	0.00 - 400.00
UPA 5s6	0.000 - 24.404	0.00 - 620.00

UPA Product Overview



UPA Boring Head FACING AND BORING

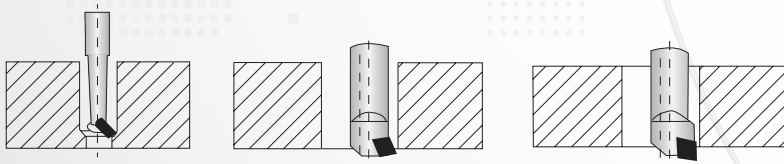
Universal Facing and Boring Heads

The versatile Wohlhaupter UPA boring heads can be used for facing, boring, and taper turning. They can also be used for right or left-handed turning.

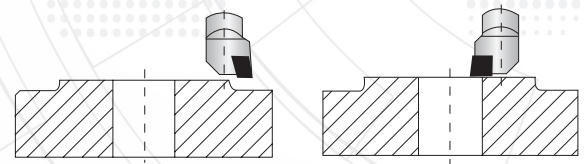
Precise and *versatile* boring heads.

- Diameter range: 0.000" - 24.409" (0.00mm - 620.00mm)
- Slide adjustment up to 4.410" (112.00mm)
- Can be used in a variety of operations

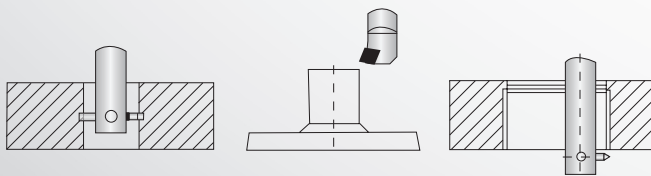
UNIVERSAL FACING & BORING Applications



Boring with different tools



Facing
From inside outward From outside inward



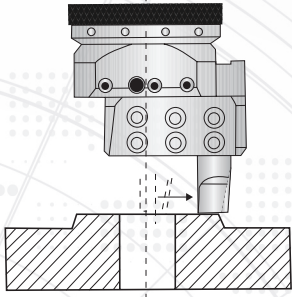
Recessing Outside Turning Thread Cutting



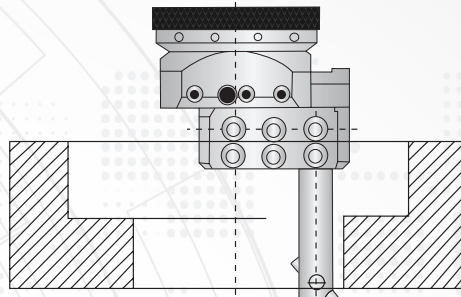
Taper Turning

UNIVERSAL

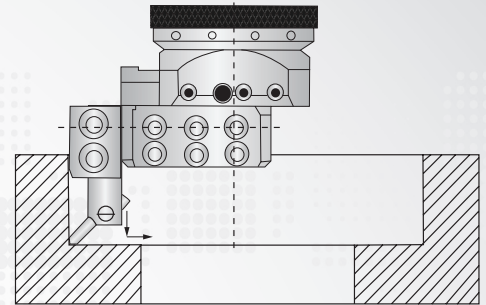
FACING & BORING Application Examples



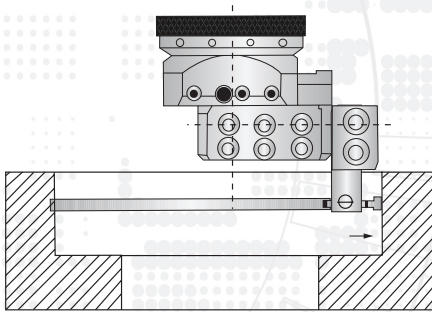
Facing with boring bar directly in slide



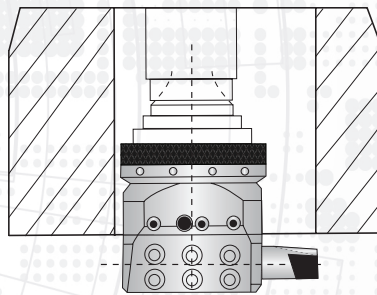
Boring with long boring bar



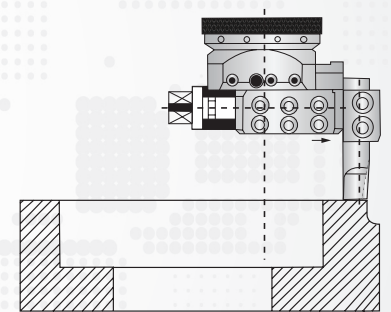
Boring and facing with short boring bar holder and a boring bar



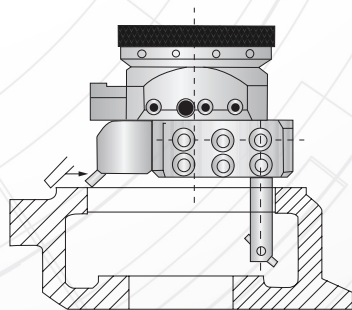
Recessing with short boring bar holder and a boring bar



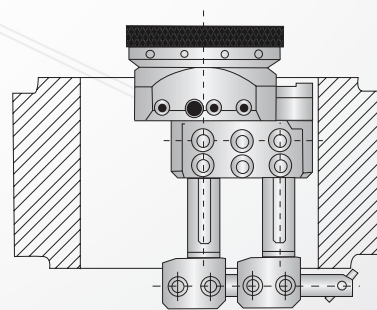
Deep hole boring with boring bar directly in slide



Large diameter facing with a long boring bar holder



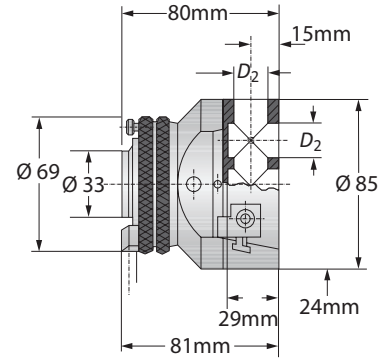
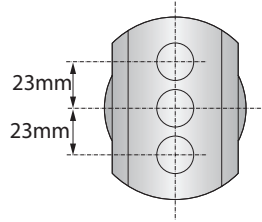
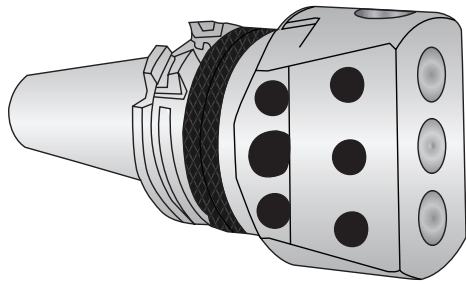
Facing in two areas with one boring bar and a boring bar holder



Facing the reverse side by using boring bar holders contained in attachment

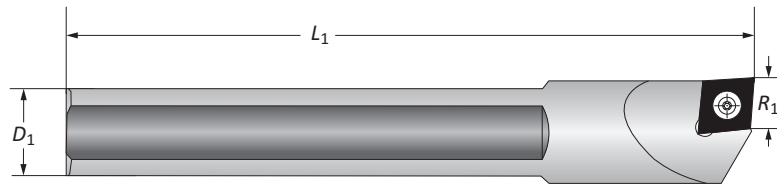
UPA 3 Boring Heads and Accessories

Diameter Range: 0.000" - 10.230" (0.00mm - 260.00mm)



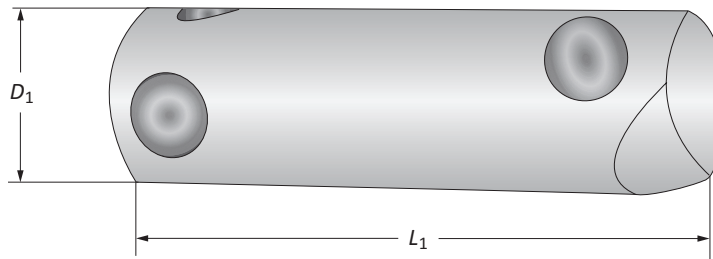
UPA 3 Boring Heads

		Boring Head		
	Boring Range	D_2	Weight	Part No.
i	0.000 - 10.230	0.750	4.629 (lbs)	006020
m	0.00 - 260.00	18.00	2.10 (kg)	005020



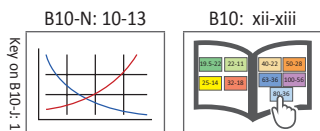
UPA 3 Boring Bars

		Boring Bar					
	D_1	L_1	R_1	Weight	Cutting Direction	Insert Form	Part No.
i	0.750	3.149	0.531	0.220 (lbs)	R	103	0750BFBR
	0.750	3.149	0.531	0.220 (lbs)	L	103	0750BFBL
m	18.00	80.00	13.50	0.10 (kg)	R	103	081087
	18.00	80.00	13.50	0.10 (kg)	L	103	218088



UPA 3 Boring Bars

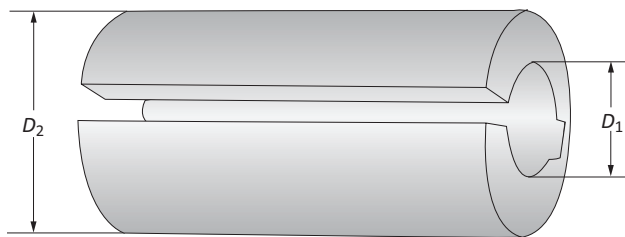
		Boring Bar			
	D_1	L_1	Boring Depth	Designation	Part No.
i	0.750	2.362	1.181	B 306	074003
	0.750	3.543	2.362	B 309	074004
	0.750	4.724	3.543	B 312	074005
m	18.00	60.00	30.00	B 306	073003
	18.00	90.00	60.00	B 309	073004
	18.00	120.00	90.00	B 312	073005



i = Imperial (in)
m = Metric (mm)

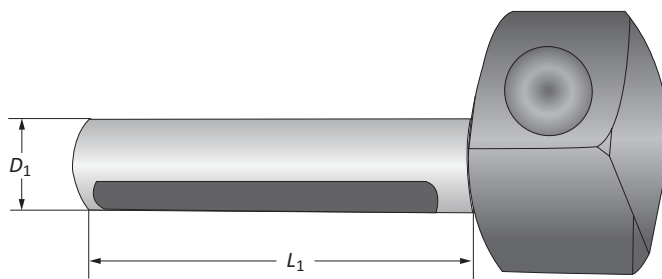
UPA 3 Accessories

Reducing Sleeves | Boring Bar Holders



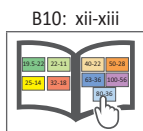
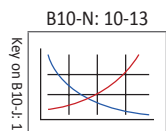
UPA 3 Reducing Sleeves

Reducing Sleeve		Weight	Part No.
D_2	D_1		
i	0.750	0.220 (lbs)	072104
	0.750	0.220 (lbs)	072105
	0.750	0.220 (lbs)	072106
	0.750	0.220 (lbs)	072107
m	18.00	0.10 (kg)	071103
	18.00	0.10 (kg)	071104
	18.00	0.10 (kg)	071105
	18.00	0.10 (kg)	071106



UPA 3 Boring Bar Holders

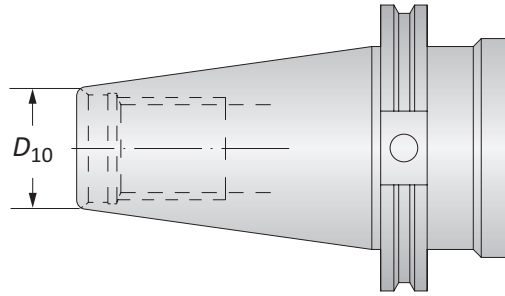
Boring Bar Holder		Working Diameter Range	Designation	Part No.
D_1	L_1			
i	0.750	3.346 - 7.480	BH 308	076001
	0.750	6.299 - 10.236	BH 312	076002
m	18.00	85.00 - 190.00	BH 308	075001
	18.00	160.00 - 260.00	BH 312	075002



i = Imperial (in)
m = Metric (mm)

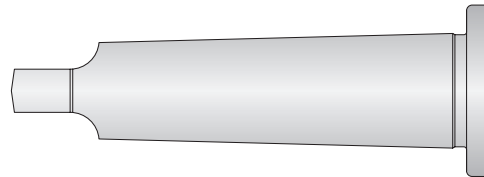
UPA 3 Master Shanks

CAT 40/50 | Morse Taper 40/50



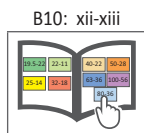
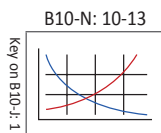
CAT 40/50 Shanks

		Shank		
	Style	D_{10}	Weight	Part No.
i	CAT 40	5/8 - 11	2.336 (lbs)	130001T013939
	CAT 50	1 - 8	7.054 (lbs)	130001T011624
m	CAT 40	M16	1.06 (kg)	130001T013939
	CAT 50	M24	3.20 (kg)	130001T011624



Morse Taper Shanks

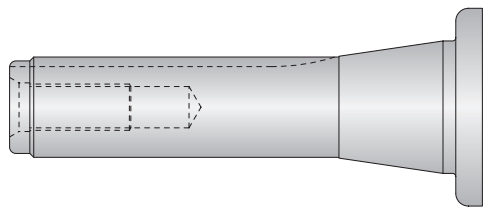
		Shank		
	Style	Weight	Part No.	
i	MT 3	0.661 (lbs)	130001T004509	
	MT 4	1.212 (lbs)	130001T003590	
	MT 5	2.976 (lbs)	130001T003920	
m	MT 3	0.30 (kg)	130001T004509	
	MT 4	0.55 (kg)	130001T003590	
	MT 5	1.35 (kg)	130001T003920	



i = Imperial (in)
m = Metric (mm)

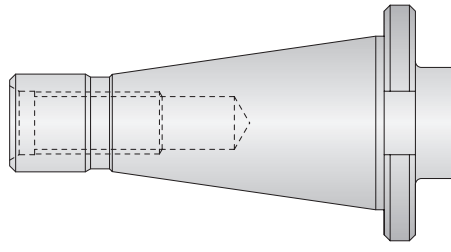
UPA 3 Master Shanks

R-8 | NMTB 40/50



R-8 Shanks

	Shank		
	Weight		Part No.
i	1.058 (lbs)		130001T007166
m	0.48 (kg)		130001T007166

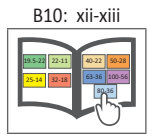
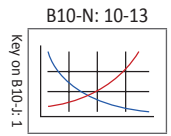


NMTB 40/50 Shanks

	Shank		
	Style	Weight	Part No.
i	NMTB40	1.984 (lbs)	130001T004498
	NMTB50	5.798 (lbs)	130001T004480
m	NMTB40	0.90 (kg)	130001T004498
	NMTB50	2.63 (kg)	130001T004480

Differential Screw

	Thread	Weight	Part No.
i	M16	0.066 (lbs)	KW9208
m	M16	0.03 (lbs)	KW9208

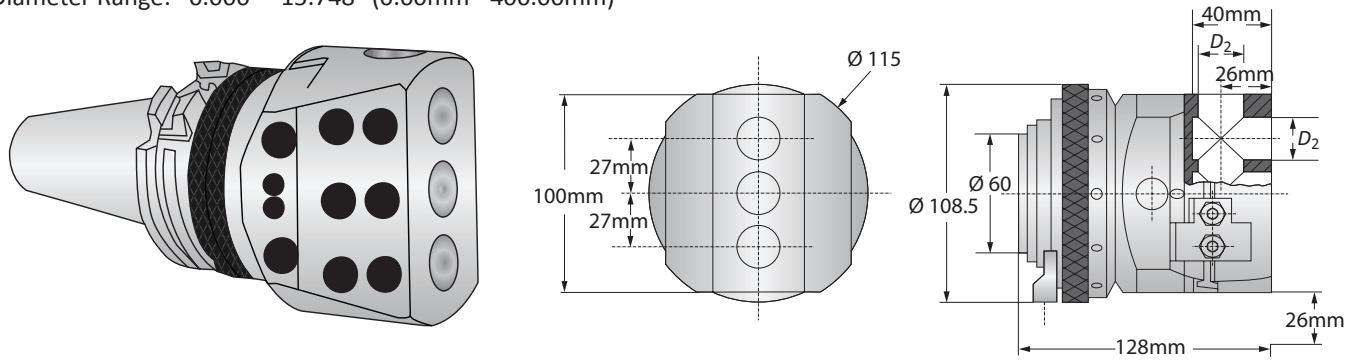


i = Imperial (in)
m = Metric (mm)

A
B
C
D
E
F
G
H
I
J
K
L
M
N
INDEX

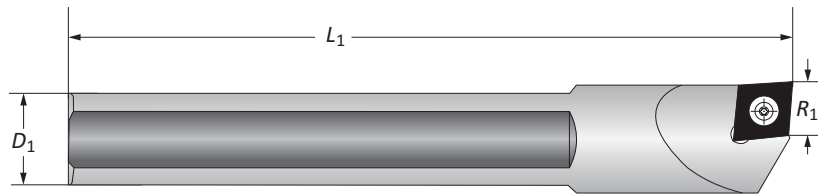
UPA 4 Boring Heads and Accessories

Diameter Range: 0.000" - 15.748" (0.00mm - 400.00mm)



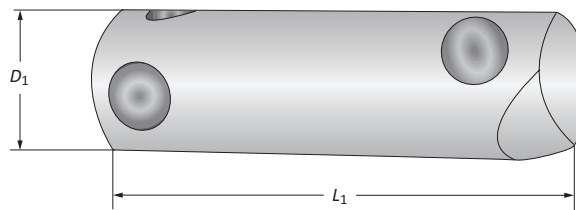
UPA 4 Boring Heads

		Boring Head		
	Boring Range	D ₂	Weight	Part No.
i	0.000 - 15.748	0.875	14.330 (lbs)	008020
m	0.00 - 400.00	22.00	6.50 (kg)	007020



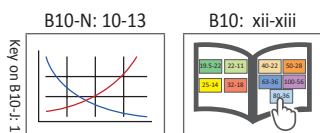
UPA 4 Boring Bars

		Boring Bar					
	D ₁	L ₁	R ₁	Weight	Cutting Direction	Insert Form	Part No.
i	0.875	3.937	0.531	0.220 (lbs)	R	103	0875BFBR
	0.875	3.937	0.531	0.220 (lbs)	L	103	0875BFBL
m	22.00	100.00	13.50	0.10 (kg)	R	103	081092
	22.00	100.00	13.50	0.10 (kg)	L	103	218089



UPA 4 Boring Bars

		Boring Bar			
	D ₁	L ₁	Boring Depth	Designation	Part No.
i	0.875	3.346	1.771	B 408	074006
	0.875	4.921	3.346	B 412	074007
	0.875	6.496	4.921	B 416	074008
m	22.00	85.00	45.00	B 408	073006
	22.00	125.00	85.00	B 412	073007
	22.00	165.00	125.00	B 416	073008



i = Imperial (in)
m = Metric (mm)

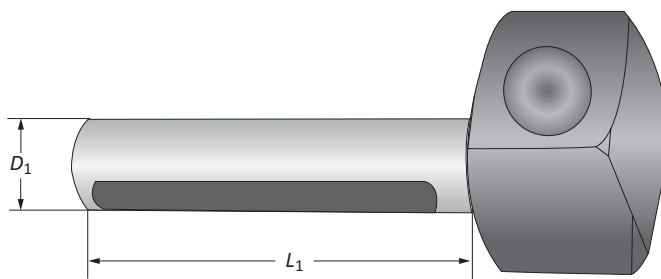
UPA 4 Accessories

Reducing Sleeves | Boring Bar Holders



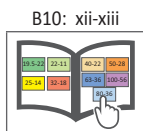
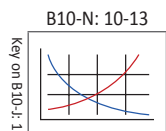
UPA 4 Reducing Sleeves

		Reducing Sleeve			
		D_2	D_1	Weight	Part No.
i		0.875	0.312	0.220 (lbs)	072108
		0.875	0.375	0.220 (lbs)	072109
		0.875	0.500	0.220 (lbs)	072110
		0.875	0.625	0.176 (lbs)	072111
		0.875	0.750	0.176 (lbs)	072112
m		22.00	8.00	0.10 (kg)	071107
		22.00	10.00	0.10 (kg)	071108
		22.00	12.00	0.10 (kg)	071109
		22.00	14.00	0.08 (kg)	071110
		22.00	18.00	0.08 (kg)	071111



UPA 4 Boring Bar Holders

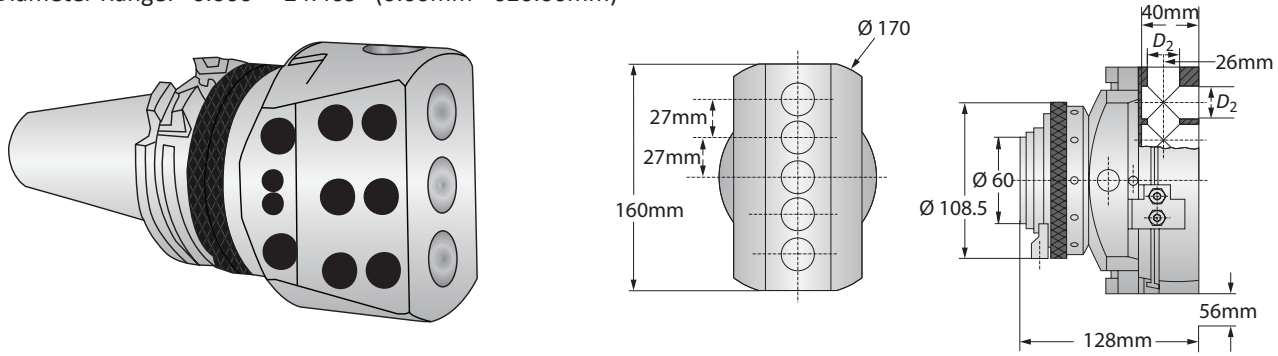
		Boring Bar Holder				
		D_1	L_1	Designation	Working Diameter Range	Part No.
i		0.875	3.858	BH 410	4.527 - 9.448	076003
		0.875	7.086	BH 418	8.661 - 15.748	076004
m		22.00	98.00	BH 410	115.00 - 240.00	075003
		22.00	180.00	BH 418	220.00 - 400.00	075004



i = Imperial (in)
m = Metric (mm)

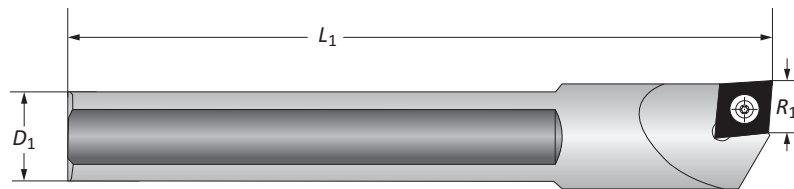
UPA 5-S 6 Boring Heads and Accessories

Diameter Range: 0.000" - 24.409" (0.00mm - 620.00mm)



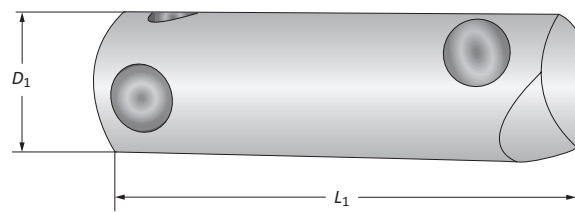
UPA 5-S 6 Boring Heads

		Boring Head		
	Boring Range	D ₂	Weight	Part No.
i	0.000 - 24.409	0.875	17.416 (lbs)	014020
m	0.00 - 620.00	22.00	7.90 (kg)	013020



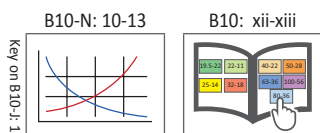
UPA 5-S 6 Boring Bars

		Boring Bar					
	D ₁	L ₁	R ₁	Weight	Cutting Direction	Insert Form	Part No.
i	0.875	3.937	0.531	0.220 (lbs)	R	103	0875BFBR
	0.875	3.937	0.531	0.220 (lbs)	L	103	0875BFBL
m	22.00	100.00	13.50	0.10 (kg)	R	103	081092
	22.00	100.00	13.50	0.10 (kg)	L	103	218089



UPA 5-S 6 Boring Bars

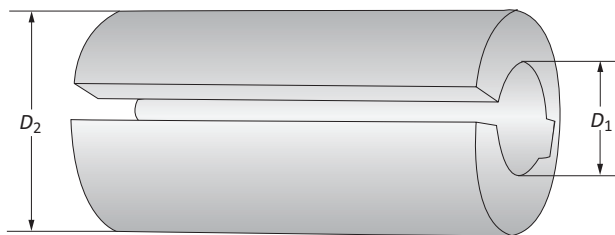
		Boring Bar			
	D ₁	L ₁	Boring Depth	Designation	Part No.
i	0.875	3.346	1.771	B 408	074006
	0.875	4.921	3.346	B 412	074007
	0.875	6.496	4.921	B 416	074008
m	22.00	85.00	45.00	B 408	073006
	22.00	125.00	85.00	B 412	073007
	22.00	165.00	125.00	B 416	073008



i = Imperial (in)
m = Metric (mm)

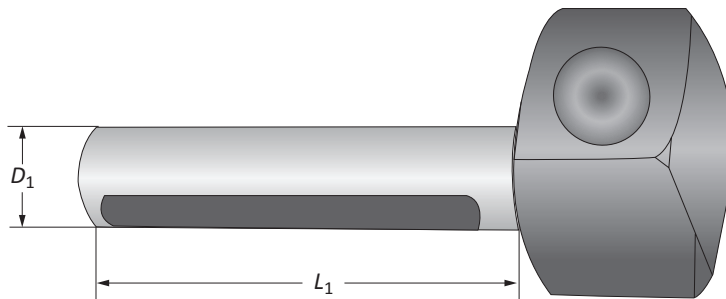
UPA 5-S 6 Accessories

Reducing Sleeves | Boring Bar Holders



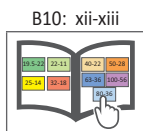
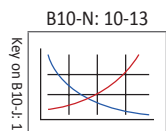
UPA 5-S6 Reducing Sleeves

		Reducing Sleeve			
		D_2	D_1	Weight	Part No.
i		0.875	0.312	0.220 (lbs)	072108
		0.875	0.375	0.220 (lbs)	072109
		0.875	0.500	0.220 (lbs)	072110
		0.875	0.625	0.176 (lbs)	072111
		0.875	0.750	0.176 (lbs)	072112
m		22.00	8.00	0.10 (kg)	071107
		22.00	10.00	0.10 (kg)	071108
		22.00	12.00	0.10 (kg)	071109
		22.00	14.00	0.08 (kg)	071110
		22.00	18.00	0.08 (kg)	071111



UPA 5-S 6 Boring Bar Holders

		Boring Bar Holder				
		D_1	L_1	Designation	Working Diameter Range	Part No.
i		0.875	5.039	BH 513	4.724 - 15.748	076003
		0.875	9.055	BH 523	10.630 - 24.408	076004
m		22.00	228.00	BH 513	120.00 - 400.00	075003
		22.00	230.00	BH 523	270.00 - 620.00	075004



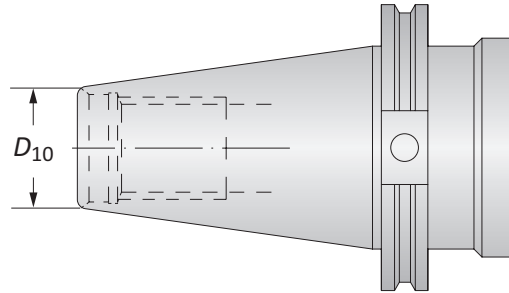
i = Imperial (in)
m = Metric (mm)

UPA 4 and 5-S 6 Master Shanks

CAT 40/50 | Morse Taper | NMTB 40/50

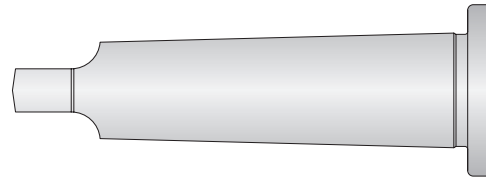
CAT 40/50 Shanks

		Shank		
	Style	D ₁₀	Weight	Part No.
i	CAT 40	5/8 - 11	3.196 (lbs)	130005T013939
	CAT 50	1 - 8	7.054 (lbs)	130005T011624
m	CAT 40	M16	1.45 (kg)	130005T013939
	CAT 50	M24	3.20 (kg)	130005T011624



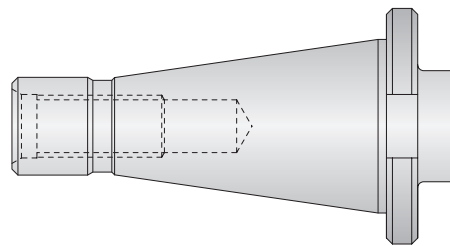
Morse Taper Shanks

		Shank		
	Style	Weight	Part No.	
i	MT 4	1.895 (lbs)	130005T003590	
	MT 5	3.639 (lbs)	130005T003920	
m	MT 4	0.86 (kg)	130005T003590	
	MT 5	1.65 (kg)	130005T003920	



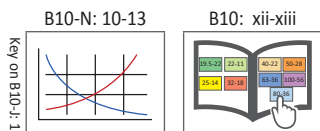
NMTB 40/50 Shanks

		Shank		
	Style	Weight	Part No.	
i	NMTB40	2.866 (lbs)	130005T004498	
	NMTB50	6.393 (lbs)	130005T004480	
m	NMTB40	1.30 (kg)	130005T004498	
	NMTB50	2.90 (kg)	130005T004480	



Differential Screw

	Thread	Weight	Part No.
i	M20	0.154 (lbs)	KW9209
m	M20	0.07 (lbs)	KW9209

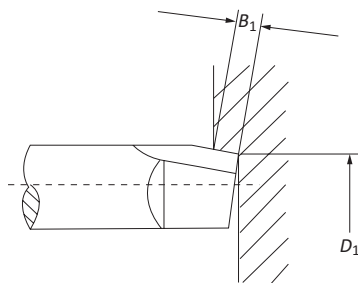


i = Imperial (in)
m = Metric (mm)

Technical Information | Chip Production Values

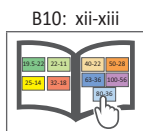
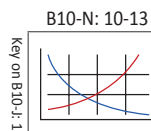
Technical Data

Type	UPA 3	UPA 4	UPA 5-S 6
Working accuracy	±0.005	±0.005	±0.005
Diameter range	25.00	35.00	45.00
MT shank	3.00	4.00	5.00
ISO shank	30.00	40.00	40.00
Facing and boring range	0.00 - 260.00	0.00 - 400.00	0.00 - 620.00
Adjustment of slide (max)	48.00	52.00	112.00
Self activated feed of slide per revolution	0.05	0.02, 0.04, 0.06, 0.14, 0.16, 0.18	0.08, 0.10, 0.12, 0.20, 0.22, 0.24
iii Fine adjustment of 1 division	0.01	0.01	0.01
Fine adjustment of 1 revolution	1.00	0.40	0.40
Rapid return per revolution	1.00	-	-
Rapid return setting per revolution	-	6.00	6.00
Largest diameter of slide	85.00	115.00	170.00
Height of boring head without shank	75.00	128.00	128.00
Tool locations in slide	18.00	22.00	22.00
Max permissible revolutions	1000	600	600
End cut off accuracy	±0.05	±0.05	±0.05

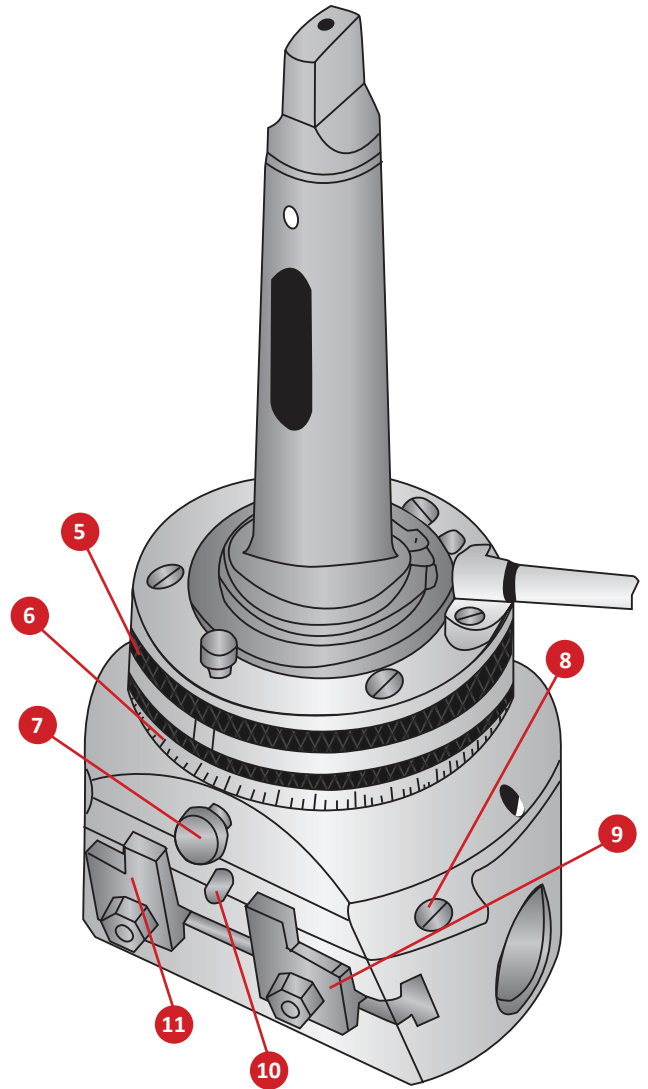
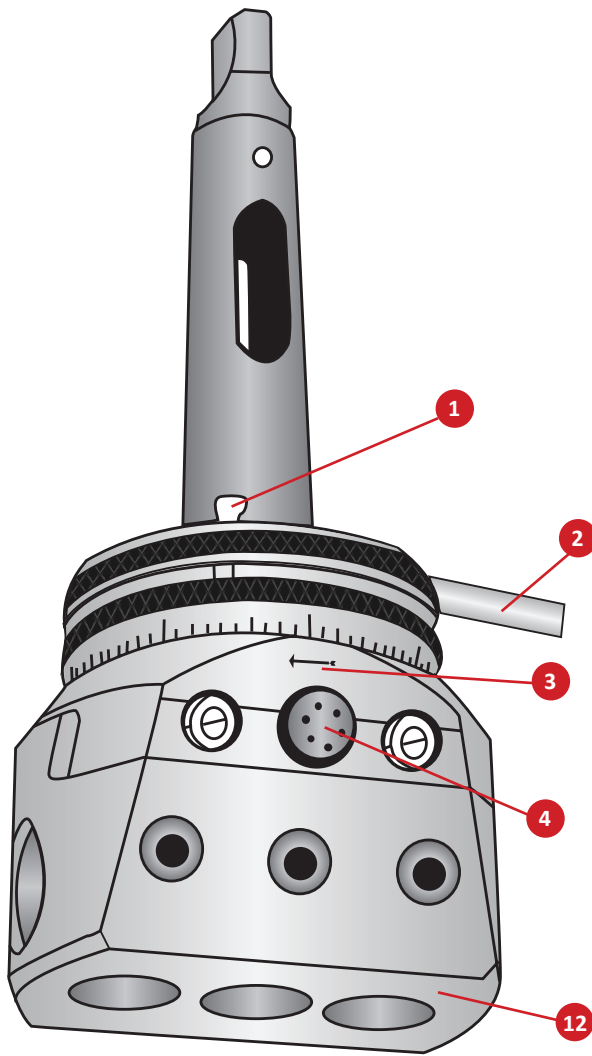


Chip Production Values

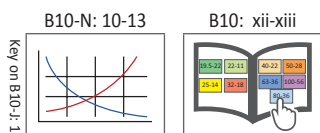
Chip Cutting Guide	Type	UPA 3	UPA 4	UPA 5-S 6
Max load	KW	2.50	7.00	9.50
With slide feed	mm/rev.	0.050	0.08, 0.12, 0.24	0.08, 0.12, 0.24
For smaller working \varnothing	D_1	60.00	150.00	200.00
iii Maximum width of chip	B_1	4.00	7.00, 6.00, 4.00	8.00, 7.00, 5.00
Maximum working \varnothing	D_1	260.00	400.00	500.00 / 620.00
Without reinforcement rings	B_1	2.00	2.20, 2.00, 1.50	2.50, 2.00, 1.50
With reinforcement rings	B_1	-	4.50, 4.00, 3.00	5.00, 4.00, 3.00



UPA 3 Boring Head Diagram

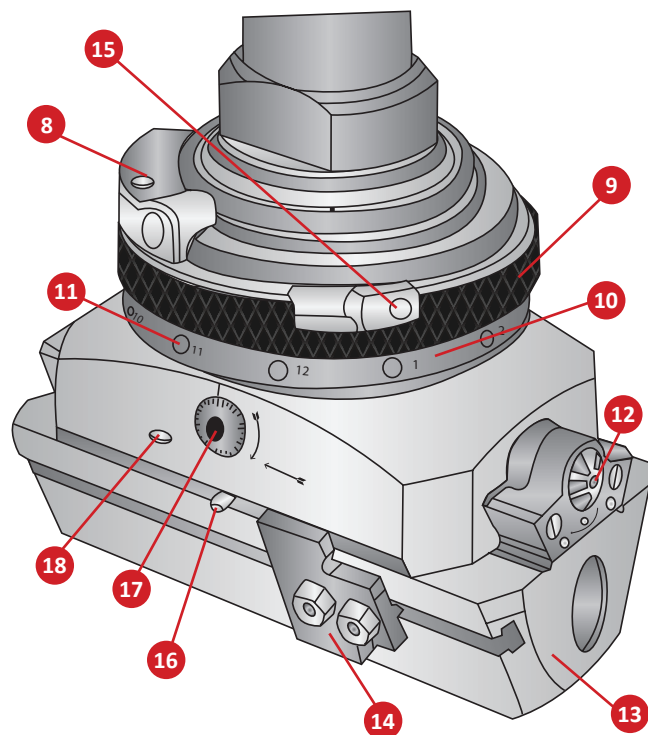
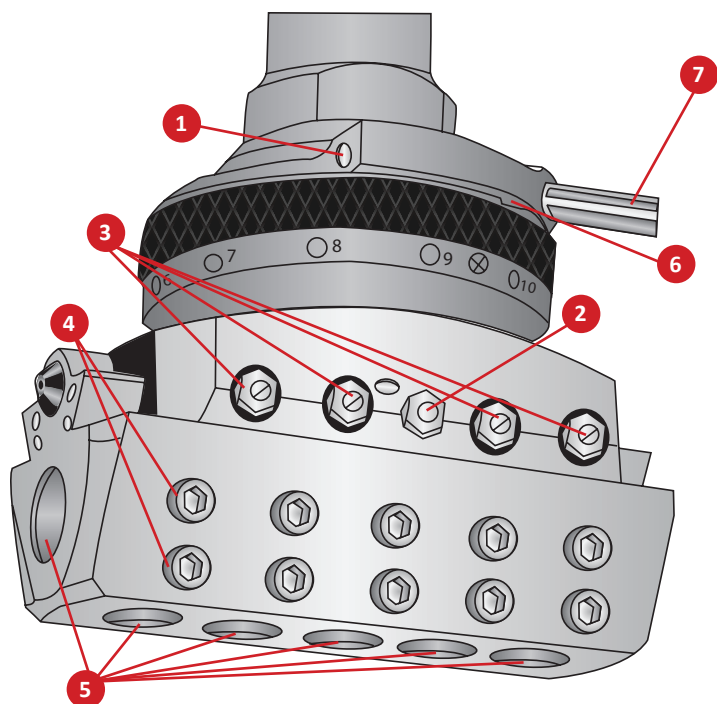


No.	Part	No.	Part
1	Button for return movement	7	Feed button
2	Stop rod	8	Regulating screw
3	Arrow	9	Stop
4	Locking screw	10	Fixed pin
5	Holding ring	11	Stop
6	Scale ring	12	Slide

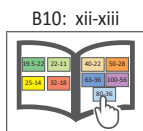
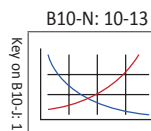




UPA 4 / 5-S 6 Boring Heads Diagram



No.	Part	No.	Part
1	Regulating screw	10	Scale ring
2	Locking screw	11	Feed buttons
3	Setting screws	12	Quick setting dial
4	Fastening screws	13	Slide with tool rotation bores
5	Tool post holes	14	Stop
6	Recess	15	Release ring
7	Stop rod	16	Fixed pin
8	Retaining ring	17	Fine setting dial
9	Feed ring	18	Retaining pin



A
B
C
D
E
F
G
H
I
J
K
L
M
N
INDEX

SECTION

B10-K

Special Boring Solutions

Wohlhaupter® Special Boring Solutions



Special Design Tooling

When it comes to special solutions for customers, Wohlhaupter has unique capabilities to effectively design and develop special boring tools. Our special boring tools are designed for specific machines, processes, and materials to help save you time and money.

If you have a particularly unique or difficult application, give our Application Engineering team a call.

phone: 330.343.4283 ext: 7611 | email: appeng@alliedmachine.com

Your safety and the safety of others is very important. This catalog contains important safety messages. Always read and follow all safety precautions.



This triangle is a safety hazard symbol. It alerts you to potential safety hazards that can cause tool failure and serious injury.

When you see this symbol in the catalog, look for a related safety message that may be near this triangle or referred to in the nearby text.

There are safety signal words also used in the catalog. Safety messages follow these words.

WARNING

WARNING (shown above) means that failure to follow the precautions in this message could result in tool failure and serious injury.

NOTICE means that failure to follow the precautions in this message could result in damage to the tool or machine but not result in personal injury.

NOTE and **IMPORTANT** are also used. These are important that you read and follow but are not safety-related.

Visit www.alliedmachine.com for the most up-to-date information and procedures.

Applicable Industries



Aerospace



Agriculture



Automotive



Firearms



General
Machining



Oil & Gas



Renewable
Energy

Wohlhaupter® Special Boring Solutions Table of Contents

Special Tooling Solutions

- EK Goover and Lay Down Cartridge Tools 2
- Anti-Vibration and Wobble Bar Tools 3
 - Large OD Turning Tools 4
 - Padded Line Boring Tool 5
- DigiBore Special Boring Tools 6
- Combi-Line Special Boring Tool 7

Online Tools

- ToolMD 8
- Boring Insert Selector 9



GROOVING TOOLS

EK GROOVER

- ▶ Create complex grooves faster and deeper than ever before
- ▶ Eliminate chatter in hard-to-reach internal forms
- ▶ The electronically-controlled insert release can be adapted to most machine tools
- ▶ Single or double grooving in one operation

ROUGH BORING TOOLS

LAY DOWN CARTRIDGE

- ▶ Increase the precision of your roughing tool while protecting your investment
- ▶ If the tool is ever damaged, simply replace a cartridge and resume making chips



SPECIAL BORING TOOLS

ANTI-VIBRATION

- ▶ Vibration dampening rings
- ▶ Used to reduce harmonic vibration in deeper boring applications



SPECIAL BORING TOOLS

WOBBLE BAR

- ▶ Fine adjustment tool for reverse machining
- ▶ Combined with multi-diameter roughing cartridges

Large OD Turning | Padded Line Boring Tool



SPECIAL BORING TOOLS

LARGE OD TURNING TOOLS

- ▶ Multi-step OD turning
- ▶ Drastically reduce cycle time
- ▶ Improve surface finish and feature concentricity

SPECIAL BORING TOOLS

PADDED TOOLING

- ▶ Aids in stable part processing
- ▶ Expands length to diameter capabilities
- ▶ Improves surface finish
- ▶ Pads are replaceable to extend tool life



3E^{TECH} BORING TOOL

MULTI-STEP BORING TOOL

- ▶ Easy diameter adjustments with 3E^{TECH}
- ▶ One digital readout module to use on all steps



3E^{TECH} BORING TOOL

LINE BORING TOOL

- ▶ One digital readout module used on all steps

DigiBore Special Boring Tools



FINISH BORING TOOLS

DIGIBORE WITH 249(248)

- ▶ Standard DigiBore head, standard 249(248) head, and special slide for precise 2-step bore
- ▶ MVS connection

FINISH BORING TOOLS

DIGIBORE SPECIAL

- ▶ Standard DigiBore boring head with OD turn and OD chamfer insert holder
- ▶ MVS connection

Combi-Line Special Boring Tool



ROUGH, FINISH, and CHAMFER BORING TOOLS

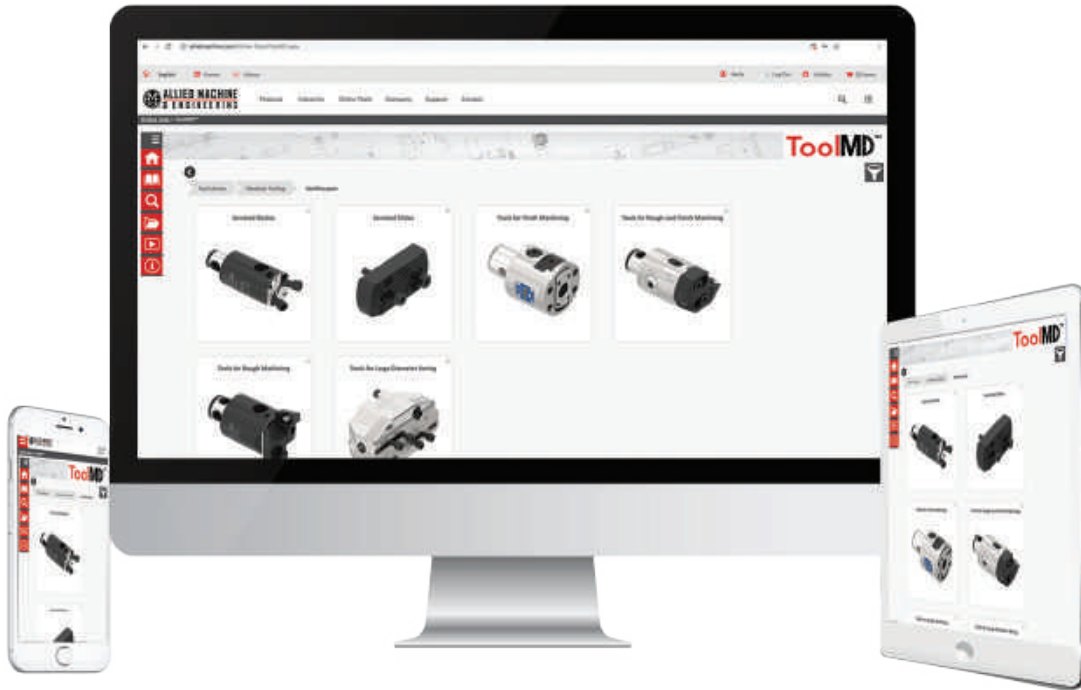
COMBI-LINE

- ▶ Standard Combi-Line tooling with added chamfer insert holder
- ▶ MVS connection

ToolMD

ToolMD®

www.toolmd.com

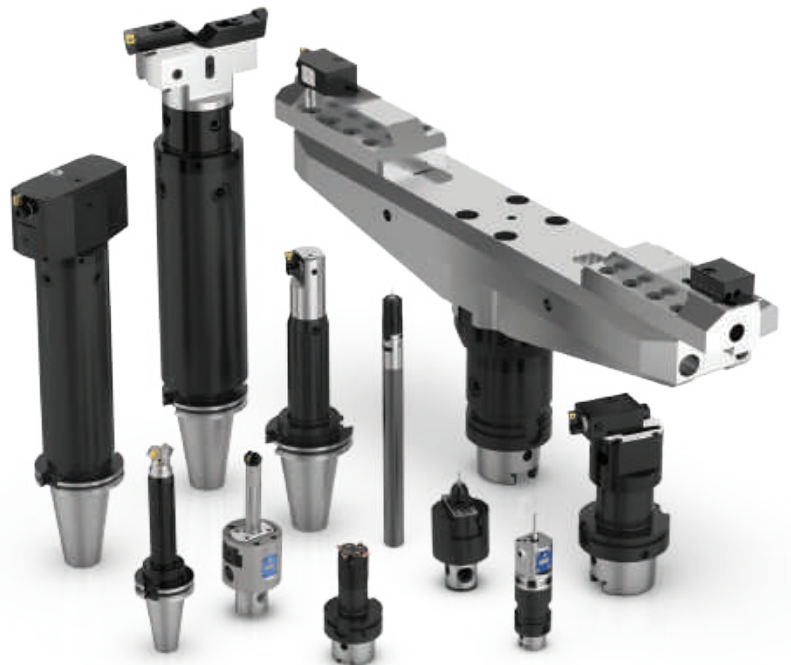


Design Your Own Solutions

ToolMD is a configurator for Wohlhaupter modular tooling systems that allows customers to virtually build their own solution. This online-based simulator puts the entire Wohlhaupter product line at your fingertips. It provides a digital bank of every individual part that Wohlhaupter manufactures in either inch or metric.

Once you select a component, you will be guided by a series of user-friendly prompts to select the next components until you have built your tooling system. Throughout the process, you can monitor the size of your custom tool and ensure what you're building matches your real-life specifications. Once a complete system is virtually assembled, the program will render the tool in either a 2D or 3D drawing to view on your device.

Designing your tools with ToolMD saves you time and allows you to instantly obtain the right tool for the job.

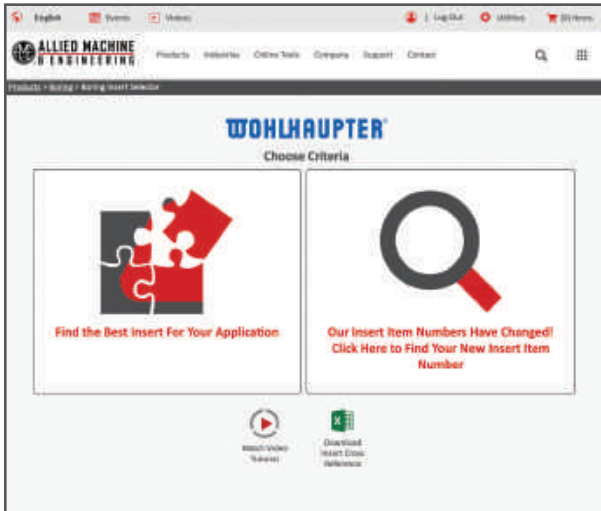


Design anytime from anywhere.
Available online 24/7.

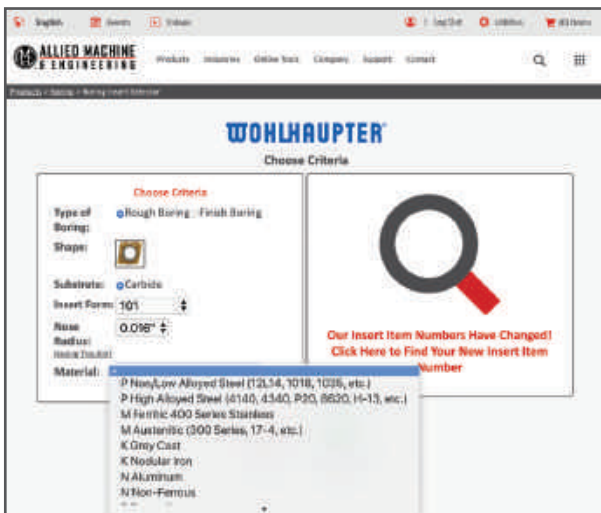
A
B
C
D
E
F
G
H
I
J
K
L
M
N
INDEX

WOHLHAUPTER® | Boring Insert Selector

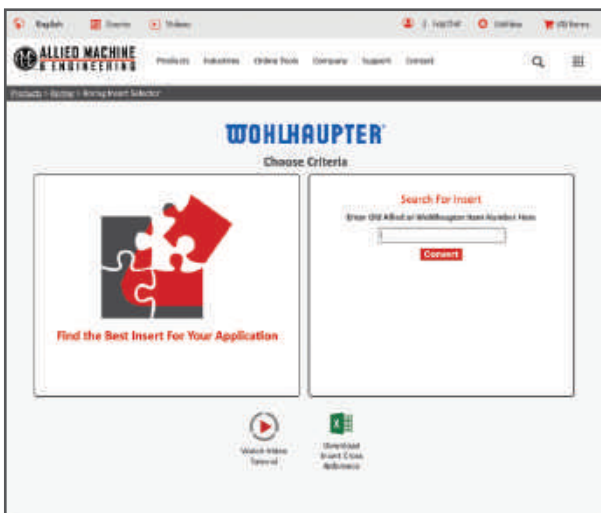
www.alliedmachine.com/bis



- Generate the correct boring insert for your application in just six easy steps



- Choose type, shape, substrate, insert form, nose radius, and workpiece material
- Order easily by adding the item to your cart



- Search for your new insert item number by entering your old item number

SECTION

B10-L

Lay Down Cartridges

Wohlhaupter® Lay Down Cartridges

Holders for Pre-Machining | Holders for Compact Boring Bars | Short Clamp Holders | Fine Boring Holders



Robust. Powerful. Versatile. Engineered Solutions.

From pre-machining holes with heavy stock removal to finish machining with tight tolerances and excellent surface finish, Wohlhaupter's extensive range of lay down cartridges can help you achieve specific boring solutions. Wohlhaupter's lay down cartridges bring innovative concepts designed to improve productivity, reduce scrap, and reduce the cost per part.

Your safety and the safety of others is very important. This catalog contains important safety messages. Always read and follow all safety precautions.



This triangle is a safety hazard symbol. It alerts you to potential safety hazards that can cause tool failure and serious injury.

When you see this symbol in the catalog, look for a related safety message that may be near this triangle or referred to in the nearby text.

There are safety signal words also used in the catalog. Safety messages follow these words.

WARNING

WARNING (shown above) means that failure to follow the precautions in this message could result in tool failure and serious injury.

NOTICE means that failure to follow the precautions in this message could result in damage to the tool or machine but not result in personal injury.

NOTE and **IMPORTANT** are also used. These are important that you read and follow but are not safety-related.

Visit www.alliedmachine.com for the most up-to-date information and procedures.

Applicable Industries



Aerospace



Agriculture



Automotive



Firearms



General
Machining



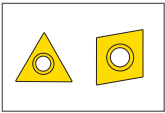
Oil & Gas



Renewable
Energy

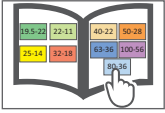
Reference Icons

The following icons will appear throughout the catalog to help you navigate between products.



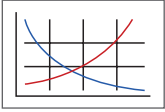
Inserts

For use with insert holder boring heads and boring bars using indexable inserts



MVS Connection Color Guide

Detailed instructions and information regarding the MVS connection(s)



Recommended Cutting Data

Speed and feed recommendations for optimum and safe boring

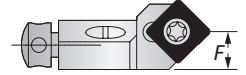
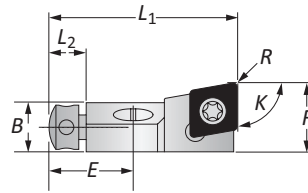
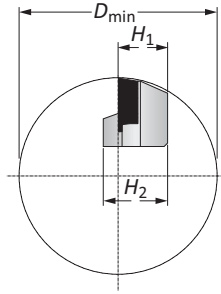
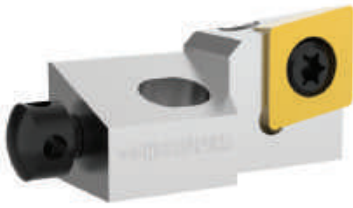
Lay Down Cartridges Table of Contents

Insert Holders

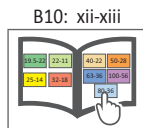
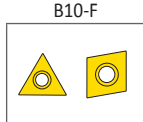
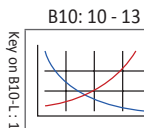
Compact Lay Down Cartridges	2 - 4
Accessories	5

Compact Lay Down Cartridges | Insert Forms 101, 103, 104, 105

Diameter Range: ≥ 0.984 " (25.00mm)



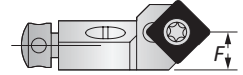
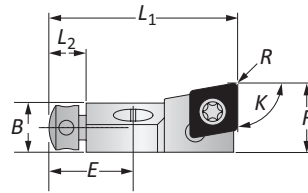
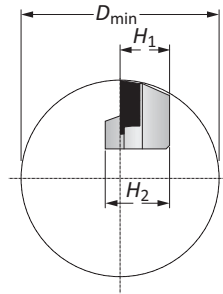
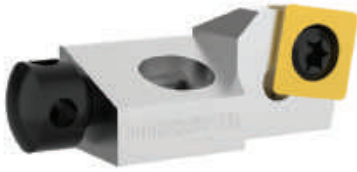
Holder Type	K	ISO	D _{min} Boring Range	Designation	Insert Holder								Insert Form	Part No.
					L ₁	L ₂	B	H ₁	H ₂	F	R Radius	E		
	90°	CC..0602..	0.984	SCFCR08CK-06	1.102	0.236	0.255	0.314	0.393	0.393	0.015	0.511	101	345001
	90°	CC..09T3..	1.574	SCFCR10CK-09	1.496	0.295	0.393	0.393	0.511	0.551	0.031	0.669	103	345002
	90°	CC..1204..	1.968	SCFCR12CK-12	1.771	0.314	0.551	0.472	0.629	0.787	0.031	0.787	104	345003
	90°	CC..1605..	2.165	SCFCE14CK-16	2.125	0.314	0.629	0.551	0.708	0.905	0.031	0.925	105	345004
	80°	CC..0602..	0.984	SCOCR08CK-06	1.102	0.236	0.255	0.314	0.393	0.354	0.015	0.511	101	345014
	80°	CC..09T3..	1.574	SCOCR10CK-09	1.496	0.295	0.393	0.393	0.511	0.492	0.031	0.669	103	345009
	75°	CC..0602..	0.984	SCRCR08CK-06	1.102	0.236	0.255	0.314	0.393	0.334	0.015	0.511	101	345013
	75°	CC..09T3..	1.574	SCRCR10CK-09	1.496	0.295	0.393	0.393	0.511	0.460	0.031	0.669	103	345008
	70°	CC..0602..	0.984	SCPCR08CK-06	1.102	0.236	0.255	0.314	0.393	0.314	0.015	0.511	101	345012
	70°	CC..09T3..	1.574	SCPCR10CK-09	1.496	0.295	0.393	0.393	0.511	0.433	0.031	0.669	103	345007
	60°	CC..0602..	0.984	SCTCR08CK-06	1.102	0.236	0.255	0.314	0.393	0.275	0.015	0.511	101	345011
	60°	CC..09T3..	1.574	SCTCR10CK-09	1.496	0.295	0.393	0.393	0.511	0.381	0.031	0.669	103	345006
	45°	CC..0602..	0.984	SCSCR08CK-06	0.944	0.236	0.255	0.314	0.393	0.393	0.015	0.511	101	345010
	45°	CC..09T3..	1.574	SCSCR10CK-09	1.259	0.295	0.393	0.393	0.511	0.570	0.031	0.669	103	345005
	90°	CC..0602..	25.00	SCFCR08CK-06	28.00	6.00	6.50	8.00	10.00	10.00	0.40	13.00	101	345001
	90°	CC..09T3..	40.00	SCFCR10CK-09	38.00	7.50	10.00	10.00	13.00	14.00	0.80	17.00	103	345002
	90°	CC..1204..	50.00	SCFCR12CK-12	45.00	8.00	14.00	12.00	16.00	20.00	0.80	20.00	104	345003
	90°	CC..1605..	55.00	SCFCE14CK-16	54.00	8.00	16.00	14.00	18.00	23.00	0.80	23.50	105	345004
	80°	CC..0602..	25.00	SCOCR08CK-06	28.00	6.00	6.50	8.00	10.00	9.00	0.40	13.00	101	345014
	80°	CC..09T3..	40.00	SCOCR10CK-09	38.00	7.50	10.00	10.00	13.00	12.50	0.80	17.00	103	345009
	75°	CC..0602..	25.00	SCRCR08CK-06	28.00	6.00	6.50	8.00	10.00	8.50	0.40	13.00	101	345013
	75°	CC..09T3..	40.00	SCRCR10CK-09	38.00	7.50	10.00	10.00	13.00	11.70	0.80	17.00	103	345008
	70°	CC..0602..	25.00	SCPCR08CK-06	28.00	6.00	6.50	8.00	10.00	8.00	0.40	13.00	101	345012
	70°	CC..09T3..	40.00	SCPCR10CK-09	38.00	7.50	10.00	10.00	13.00	11.00	0.80	17.00	103	345007
	60°	CC..0602..	25.00	SCTCR08CK-06	28.00	6.00	6.50	8.00	10.00	7.00	0.40	13.00	101	345011
	60°	CC..09T3..	40.00	SCTCR10CK-09	38.00	7.50	10.00	10.00	13.00	9.70	0.80	17.00	103	345006
	45°	CC..0602..	25.00	SCSCR08CK-06	24.00	6.00	6.50	8.00	10.00	10.00	0.40	13.00	101	345010
	45°	CC..09T3..	40.00	SCSCR10CK-09	32.00	7.50	10.00	10.00	13.00	14.50	0.80	17.00	103	345005












i = Imperial (in)
m = Metric (mm)
 Inserts sold separately

Compact Lay Down Cartridges | Insert Form 112

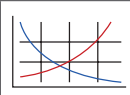
Diameter Range: $\geq 1.574''$ (40.00mm)



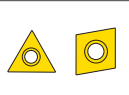
Holder Type	K	ISO	D _{min} Boring Range	Designation	Insert Holder								Insert Form	Part No.
					L ₁	L ₂	B	H ₁	H ₂	F	R Radius	E		
	80°	SC..09T3..	1.574	SSOCR10CK-09	1.496	0.295	0.393	0.393	0.511	0.472	0.031	0.669	112	345019
	75°	SC..09T3..	1.574	SSRCR10CK-09	1.496	0.295	0.393	0.393	0.511	0.460	0.031	0.669	112	345018
i 	70°	SC..09T3..	1.574	SSPCR10CK-09	1.496	0.295	0.393	0.393	0.511	0.433	0.031	0.669	112	345017
	60°	SC..09T3..	1.574	SSTCR10CK-09	1.496	0.295	0.393	0.393	0.511	0.381	0.031	0.669	112	345016
	45°	SC..09T3..	1.574	SSSCR10CK-09	1.260	0.295	0.393	0.393	0.511	0.551	0.031	0.669	112	345015
	80°	SC..09T3..	40.00	SSOCR10CK-09	38.00	7.50	10.00	10.00	13.00	12.50	0.80	17.00	112	345019
	75°	SC..09T3..	40.00	SSRCR10CK-09	38.00	7.50	10.00	10.00	13.00	11.70	0.80	17.00	112	345018
m 	70°	SC..09T3..	40.00	SSPCR10CK-09	38.00	7.50	10.00	10.00	13.00	11.00	0.80	17.00	112	345017
	60°	SC..09T3..	40.00	SSTCR10CK-09	38.00	7.50	10.00	10.00	13.00	9.70	0.80	17.00	112	345016
	45°	SC..09T3..	40.00	SSSCR10CK-09	32.00	7.50	10.00	10.00	13.00	14.00	0.80	17.00	112	345015

Key on B10-L: 1


B10: 10 - 13



B10-F



B10: xii-xiii

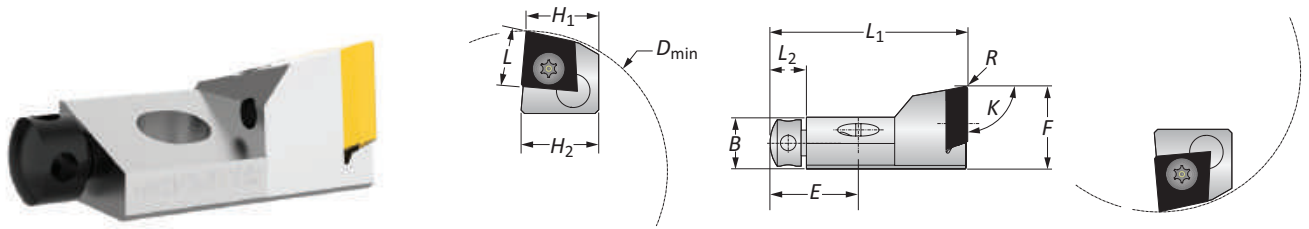


i = Imperial (in)
m = Metric (mm)
 Inserts sold separately

A
B
C
D
E
F
G
H
I
J
K
L
M
N
INDEX

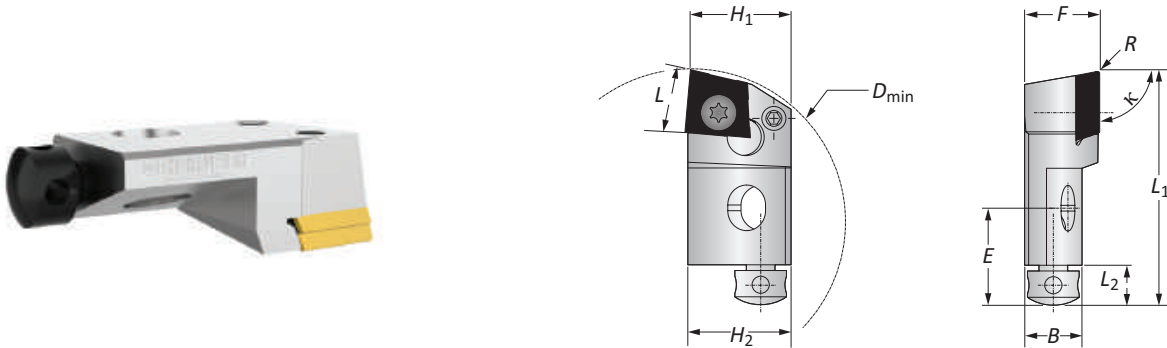
Tangential Compact Lay Down Cartridges | Insert Forms 04, 05

Diameter Range: ≥ 2.125 " (54.00mm)



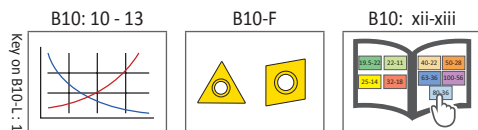
Insert Form 04, 05 Insert Holders

Holder Type	K	D _{min} Boring Range	Insert Holder								Holder Cutting Form	L	Insert Form	Part No.
			L ₁	L ₂	B	H ₁	H ₂	F	R Radius	E				
i	90°	2.125	1.496	0.295	0.393	0.551	0.590	0.629	0.019	0.669	Right	0.413	04	345023
	90°	2.125	1.496	0.295	0.393	0.551	0.590	0.629	0.019	0.669	Left	0.413	04	345025
	90°	2.755	2.755	0.314	0.551	0.748	0.787	0.866	0.019	0.787	Right	0.570	05	345020
	90°	2.755	2.755	0.314	0.551	0.748	0.787	0.866	0.019	0.787	Left	0.570	05	345022
m	90°	54.00	38.00	7.50	10.00	14.00	15.00	16.00	0.50	17.00	Right	10.50	04	345023
	90°	54.00	38.00	7.50	10.00	14.00	15.00	16.00	0.50	17.00	Left	10.50	04	345025
	90°	70.00	45.00	8.00	14.00	19.00	20.00	22.00	0.50	20.00	Right	14.50	05	345020
	90°	70.00	45.00	8.00	14.00	19.00	20.00	22.00	0.50	20.00	Left	14.50	05	345022



Insert Form 04, 05 Radial Cutting Insert Holders

Holder Type	K	D _{min} Boring Range	Insert Holder								Holder Cutting Form	L	Insert Form	Part No.
			L ₁	L ₂	B	H ₁	H ₂	F	R Radius	E				
i	90°	2.125	1.614	0.295	0.393	0.669	0.708	0.511	0.019	0.669	Right	0.413	04	345024
	90°	2.755	1.968	0.314	0.551	0.826	0.866	0.669	0.019	0.787	Right	0.570	05	345021
m	90°	54.00	41.00	7.50	10.00	17.00	18.00	13.00	0.50	17.00	Right	10.50	04	345024
	90°	70.00	50.00	8.00	14.00	21.00	22.00	17.00	0.50	20.00	Right	14.50	05	345021

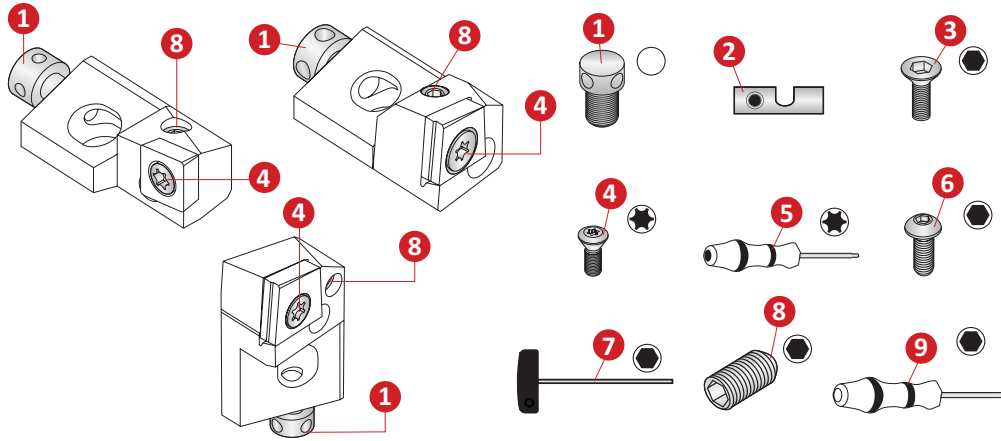


i = Imperial (in)
m = Metric (mm)
 Inserts sold separately

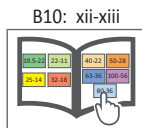
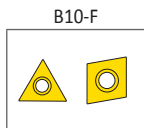
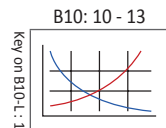
A
B
C
D
E
F
G
H
I
J
K
L
M
N
INDEX



Compact Lay Down Cartridges Accessories



Insert Holder Part No.	1 Axial Barrel Screw	2 Shim	3 Insert Screw	4 Insert Screw	5 Torx Driver	6 Holder Fixing Screw	7 Hex Driver	8 Radial Set Screw	9 Hex Driver
345001	215742	345201	215461	115676-1	115590	215343	415577	114224	215472
345002	415299	345202	116433	115673-1	115664	215634	415164	070161	215473
345003	215250	345203	116433	415298-1	215150	215431	415164	215467	115575
345004	215265	345204	116433	215149-1	215150	315476	415165	215467	115575
345005	415299	345216	116433	115673-1	115664	215634	415164	070161	215473
345006	415299	345218	116433	115673-1	115664	215634	415164	070161	215473
345007	415299	345208	116433	115673-1	115664	215634	415164	070161	215473
345008	415299	345208	116433	115673-1	115664	215634	415164	070161	215473
345009	415299	345202	116433	115673-1	115664	215634	415164	070161	215473
345010	215742	345211	215461	115676-1	115590	215343	415577	114224	215472
345011	215742	345211	215461	115676-1	115590	215343	415577	114224	215472
345012	215742	345213	215461	115676-1	115590	215343	415577	114224	215472
345013	215742	345213	215461	115676-1	115590	215343	415577	114224	215472
345014	215742	345201	215461	115676-1	115590	215343	415577	114224	215472
345015	415299	345215	116433	115673-1	115664	215634	415164	070161	215473
345016	415299	345216	116433	115673-1	115664	215634	415164	070161	215473
345017	415299	345218	116433	115673-1	115664	215634	415164	070161	215473
345018	415299	345218	116433	115673-1	115664	215634	415164	070161	215473
345019	415299	345208	116433	115673-1	115664	215634	415164	070161	215473
345020	215250	345220	116433	415949-1	215150	315476	415165	215467	115575
345021	215250	345221	116433	415949-1	215150	315476	415165	215104	115575
345022	215250	345222	116433	415949-1	215150	315476	415165	215467	115575
345023	415299	345223	116433	415977-1	115664	215634	415164	415280	215473
345024	415299	345224	116433	415977-1	115664	215634	415164	070161	215473
345025	415299	345225	116433	415977-1	115664	215634	415164	415280	215473



Key on B10-L: 1

i = Imperial (in)
m = Metric (mm)

Inserts sold separately

A
B
C
D
E
F
G
H
I
J
K
L
M
N
INDEX

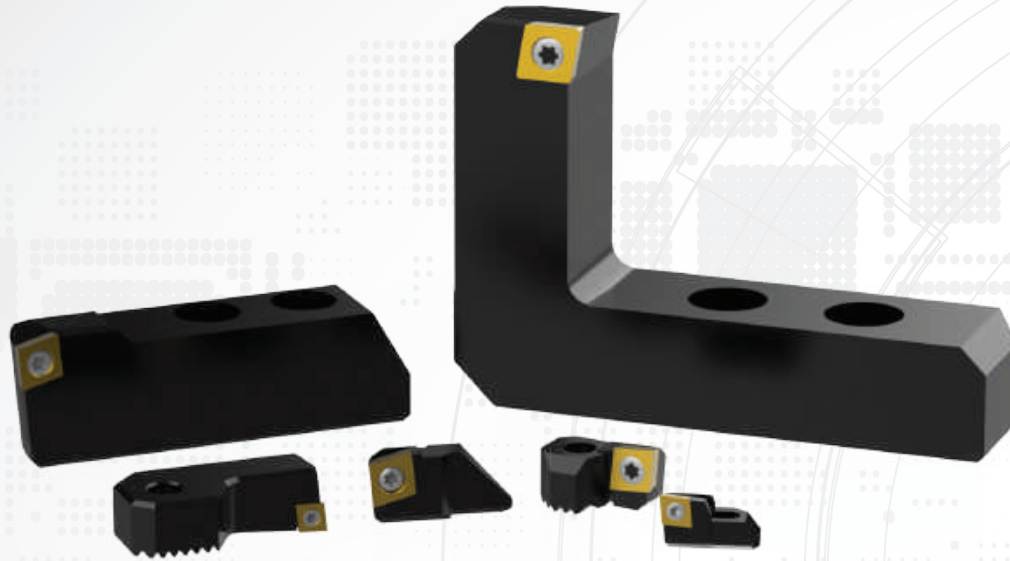
SECTION

B10-M

Semi-Standard Insert Holders

Wohlhaupter® Semi-Standard Insert Holders

Insert Holders for Serrated Tool Bodies | Insert Holders for Outside Turning | Approach Angled Insert Holders



Insert Holders for Every Boring Application

Wohlhaupter offers a complete range of semi-standard insert holders in various sized ISO insert geometries. These holders are designed in many forms to meet specific approach angles that may be required for your applications. Please consult your Allied tooling specialist in determining what is required for your application. All designs are pre-engineered and are generally available with lead times shorter than three weeks.

Your safety and the safety of others is very important. This catalog contains important safety messages. Always read and follow all safety precautions.



This triangle is a safety hazard symbol. It alerts you to potential safety hazards that can cause tool failure and serious injury.

When you see this symbol in the catalog, look for a related safety message that may be near this triangle or referred to in the nearby text.

There are safety signal words also used in the catalog. Safety messages follow these words.

WARNING

WARNING (shown above) means that failure to follow the precautions in this message could result in tool failure and serious injury.

NOTICE means that failure to follow the precautions in this message could result in damage to the tool or machine but not result in personal injury.

NOTE and **IMPORTANT** are also used. These are important that you read and follow but are not safety-related.

Visit www.alliedmachine.com for the most up-to-date information and procedures.

Applicable Industries



Aerospace



Agriculture



Automotive



Firearms



General
Machining



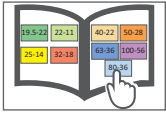
Oil & Gas



Renewable
Energy

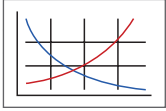
Reference Icons

The following icons will appear throughout the catalog to help you navigate between products.



MVS Connection Color Guide

Detailed instructions and information regarding the MVS connection(s)



Recommended Cutting Data

Speed and feed recommendations for optimum and safe boring

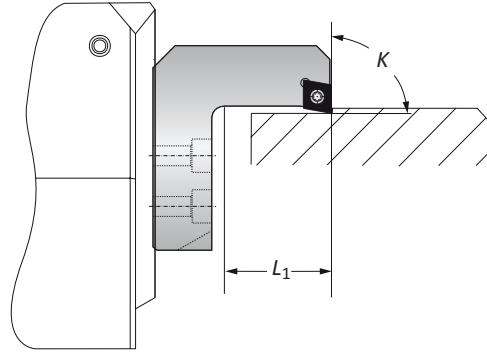
Semi-Standard Insert Holders Table of Contents

Semi-Standard Insert Holders

Insert Holders for Serrated Tool Bodies - Form 103, 104	2 - 3
Insert Holders for (350) 349 Serrated Tool Bodies - Form 104	4
Insert Holders for DigiBore - Form 101, 103	5
30° Angle Approach Insert Holders - Form 20	6
45° Angle Approach Insert Holders - Form 20	7
60° Angle Approach Insert Holders - Form 20	8
15° Angle Approach Insert Holders - Form 101	9
30° Angle Approach Insert Holders - Form 101	10
45° Angle Approach Insert Holders - Form 101	11
90° Angle Approach Insert Holders - Form 101	12
95° Approach Angle Insert Holders - Form 101	13 - 14
85° Approach Angle Insert Holders - Form 20	15
60° Approach Angle Insert Holders - Form 37	16
85° Approach Angle Insert Holders - Form 101	17 - 18
85° Approach Angle Insert Holders - Form 103, 104	19
95° Approach Angle Combi-Line Insert Holders - Form 101, 103	20
90° Approach Angle Combi-Line Insert Holders - Form 101, 103	21

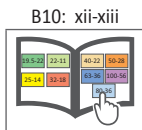
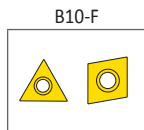
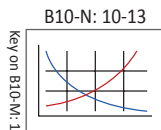
Insert Holders for Serrated Tool Bodies - Form 103, 104

Diameter Range: 1.259" - 5.708" (32.00mm - 145.00mm)



	Serrated Tool Body	Boring Range	Insert Holders		Insert Form	Part No.
			L_1	K		
i	148006	1.259 - 2.165	0.905	90°	103	K24750
	148007	2.559 - 3.740	2.086	90°	104	K28701
	148009	3.543 - 5.708	2.086	90°	104	K28701
m	148006	32.00 - 55.00	23.00	90°	103	K24750
	148007	65.00 - 95.00	53.00	90°	104	K28701
	148009	90.00 - 145.00	53.00	90°	104	K28701

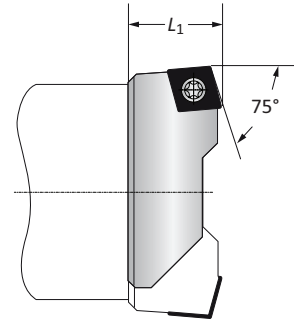
NOTE: Pricing and delivery available on request.



i = Imperial (in)
m = Metric (mm)
Inserts sold separately

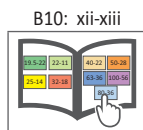
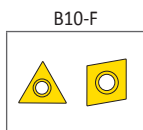
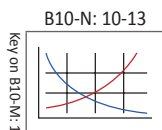
Insert Holders for Serrated Tool Bodies - Form 103

Diameter Range: 1.147" - 8.070" (36.00mm - 205.00mm)



Serrated Tool Body		Boring Range	Insert Holders L_1	Insert Form	Part No.
i	148001	1.141 - 1.456	0.629	103	268011
	148002	1.147 - 1.732	0.629	103	268012
	148003	1.692 - 2.125	0.787	103	268013
	148004	1.692 - 2.125	0.787	103	268014
	148005	2.559 - 3.267	0.787	103	268015
	148007	3.937 - 5.118	1.181	103	268017
	148007	4.921 - 6.102	1.181	103	268018
	148009	5.905 - 8.070	1.181	103	268018
	m	148001	29.00 - 37.00	16.00	103
148002		36.00 - 44.00	16.00	103	268012
148003		43.00 - 54.00	20.00	103	268013
148004		53.00 - 66.00	20.00	103	268014
148005		65.00 - 83.00	20.00	103	268015
148007		100.00 - 130.00	30.00	103	268017
148007		125.00 - 155.00	30.00	103	268018
148009		150.00 - 205.00	30.00	103	268018

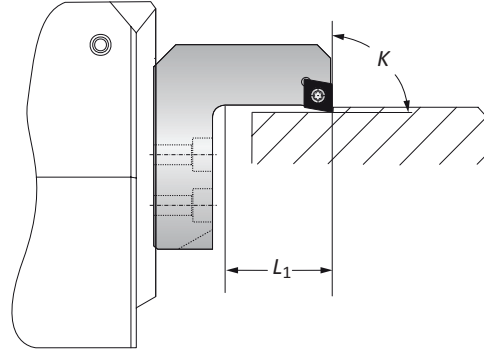
NOTE: Pricing and delivery available on request.



i = Imperial (in)
m = Metric (mm)
Inserts sold separately

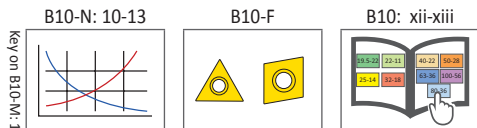
Insert Holders for 350 (349) Serrated Tool Bodies - Form 104

Diameter Range: 5.905" - 38.180" (150.00mm - 970.00mm)



Serrated Tool Body	Boring Range	Insert Holders		Insert Form	Part No.
		L ₁	K		
350001	5.905 - 9.055	2.086	90°	104	K28703
350002	8.858 - 12.000	2.086	90°	104	K28703
350003	11.810 - 14.960	2.086	90°	104	K28703
350004	14.760 - 17.910	2.086	90°	104	K28703
350005	16.330 - 27.360	2.086	90°	104	K28703
350014*	16.330 - 27.360	2.086	90°	104	K28703
350006	27.160 - 38.180	2.086	90°	104	K28703
350014*	27.160 - 38.180	2.086	90°	104	K28703
350001	5.905 - 9.055	2.480	90°	104	K31892
350002	8.858 - 12.000	2.480	90°	104	K31892
350003	11.810 - 14.960	2.480	90°	104	K31892
350004	14.760 - 17.910	2.480	90°	104	K31892
350005	16.330 - 27.360	2.480	90°	104	K31892
350014*	16.330 - 27.360	2.480	90°	104	K31892
350006	27.160 - 38.180	2.480	90°	104	K31892
350014*	27.160 - 38.180	2.480	90°	104	K31892
349001	150.00 - 230.00	53.00	90°	104	K28703
349002	225.00 - 305.00	53.00	90°	104	K28703
349003	300.00 - 380.00	53.00	90°	104	K28703
349004	375.00 - 455.00	53.00	90°	104	K28703
349005	415.00 - 695.00	53.00	90°	104	K28703
349014*	415.00 - 695.00	53.00	90°	104	K28703
349006	690.00 - 970.00	53.00	90°	104	K28703
349014*	690.00 - 970.00	53.00	90°	104	K28703
349001	150.00 - 230.00	63.00	90°	104	K31892
349002	225.00 - 305.00	63.00	90°	104	K31892
349003	300.00 - 380.00	63.00	90°	104	K31892
349004	375.00 - 455.00	63.00	90°	104	K31892
349005	415.00 - 695.00	63.00	90°	104	K31892
349014*	415.00 - 695.00	63.00	90°	104	K31892
349006	690.00 - 970.00	63.00	90°	104	K31892
349014*	690.00 - 970.00	63.00	90°	104	K31892

*Insert holder should only be used with the large diameter Alu-Line systems
NOTE: Pricing and delivery available on request.

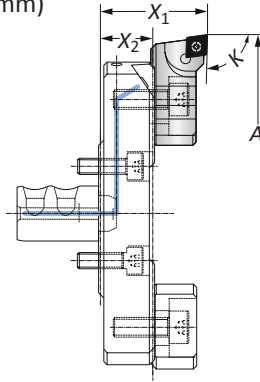


i = Imperial (in)
 m = Metric (mm)
 Inserts sold separately



Insert Holders for DigiBore - Form 101, 103

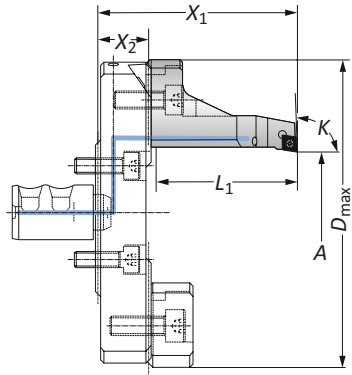
Diameter Range: 0.078" - 4.488" (2.00mm - 114.00mm)



92° Angle Approach DigiBore Insert Holders - Form 103

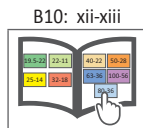
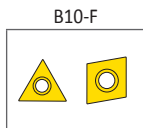
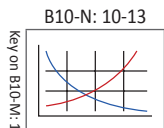
	Serrated Slide	Boring Range A	Insert Holders			Insert Form	Part No.
			X ₁	X ₂	K		
i	501054	2.677 - 3.779	1.279	0.629	92°	103	502063
	501055	3.779 - 4.881	1.279	0.629	92°	103	502063
	501056	4.921 - 5.984	1.279	0.629	92°	103	502063
	501058	5.984 - 7.086	1.515	0.866	92°	103	502063
	501059	7.086 - 8.188	1.515	0.866	92°	103	502063
m	501054	68.00 - 96.00	32.50	16.00	92°	103	502063
	501055	96.00 - 124.00	32.50	16.00	92°	103	502063
	501056	125.00 - 152.00	32.50	16.00	92°	103	502063
	501058	152.00 - 180.00	38.50	22.00	92°	103	502063
	501059	180.00 - 208.00	38.50	22.00	92°	103	502063

NOTE: Pricing and delivery available on request.



DigiBore Outside Turning Insert Holders - Form 101

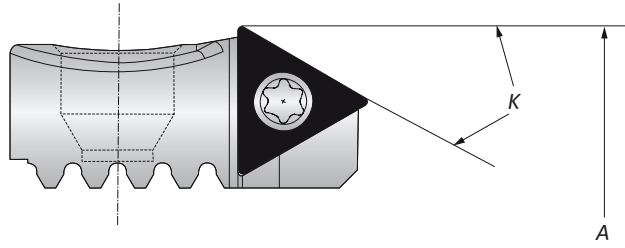
	Serrated Slide	Boring Range A	Insert Holders				K	Insert Form	Part No.
			X ₁	X ₂	L ₁	D _{max}			
i	501055	0.078 - 1.181	2.874	0.629	2.165	3.976	92°	101	K31523
	501056	1.181 - 2.283	2.874	0.629	2.165	5.078	92°	101	K31523
	501058	2.283 - 3.385	3.110	0.866	2.165	6.181	92°	101	K31523
	501059	3.385 - 4.488	3.110	0.866	2.165	7.283	92°	101	K31523
m	501055	2.00 - 30.00	73.00	16.00	55.00	101.00	92°	101	K31523
	501056	30.00 - 58.00	73.00	16.00	55.00	129.00	92°	101	K31523
	501058	58.00 - 86.00	79.00	22.00	55.00	157.00	92°	101	K31523
	501059	86.00 - 114.00	79.00	22.00	55.00	185.00	92°	101	K31523



i = Imperial (in)
m = Metric (mm)
Inserts sold separately

30° Angle Approach Insert Holders - Form 20

Diameter Range: 1.338" - 40.070" (34.00mm - 1018.00mm)



	Boring Tool	Boring Range	Insert Holders	Insert Form	Part No.
		A	K		
i	320001	1.338 - 1.653	30°	20	K26950
	365033	1.535 - 2.011	30°	20	K26950
	320003	1.614 - 2.047	30°	20	K26950
	365034	1.889 - 2.500	30°	20	K26950
	320004	2.007 - 2.519	30°	20	K25275
	365045	2.480 - 3.188	30°	20	K25275
	365046	3.149 - 3.976	30°	20	K25275
	365047	3.858 - 5.039	30°	20	K25275
	365048	4.842 - 6.515	30°	20	K25275
	365049	6.318 - 7.992	30°	20	K25275
	338017	3.858 - 40.070	30°	20	K25275
m	310001	34.00 - 42.00	30°	20	K26950
	364033	39.00 - 51.50	30°	20	K26950
	310003	41.00 - 52.00	30°	20	K26950
	364034	48.00 - 63.50	30°	20	K26950
	310004	51.00 - 64.00	30°	20	K25275
	364045	63.00 - 81.00	30°	20	K25275
	364046	80.00 - 101.00	30°	20	K25275
	364047	98.00 - 128.00	30°	20	K25275
	364048	123.00 - 165.50	30°	20	K25275
	364049	160.50 - 203.00	30°	20	K25275
	337017	98.00 - 1018.00	30°	20	K25275

NOTE: Pricing and delivery available on request.

Key on B10-M: 1

B10-N: 10-13

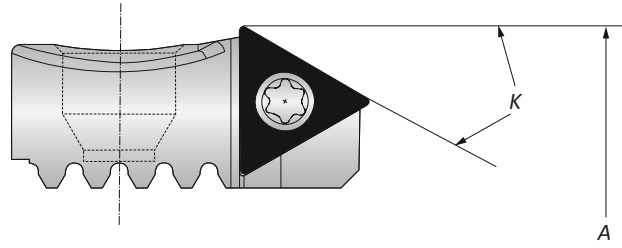
B10-F

B10: xii-xiii

i = Imperial (in)
 m = Metric (mm)
 Inserts sold separately

45° Angle Approach Insert Holders - Form 20

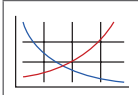
Diameter Range: 1.388" - 40.080" (34.70mm - 1018.20mm)



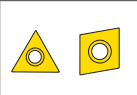
	Boring Range		Insert Holders		Part No.
	Boring Tool	A	K	Insert Form	
i	320001	1.388 - 1.708	45°	20	K19504
	365003	1.588 - 2.088	45°	20	K19504
	320003	1.668 - 2.088	45°	20	K19504
	365034	1.976 - 2.596	45°	20	K19504
	320004	2.015 - 2.527	45°	20	K19506
	365045	2.488 - 3.196	45°	20	K19506
	365046	3.157 - 3.984	45°	20	K19506
	365047	3.866 - 5.047	45°	20	K19506
	365048	4.850 - 6.523	45°	20	K19506
	365049	6.326 - 8.000	45°	20	K19506
338017	3.866 - 40.080	45°	20	K19506	
m	310001	34.70 - 42.70	45°	20	K19504
	364003	39.70 - 52.20	45°	20	K19504
	310003	41.70 - 52.20	45°	20	K19504
	364034	49.40 - 64.90	45°	20	K19504
	310004	51.20 - 64.20	45°	20	K19506
	364045	63.20 - 81.20	45°	20	K19506
	364046	80.20 - 101.20	45°	20	K19506
	364047	98.20 - 128.20	45°	20	K19506
	364048	123.20 - 165.70	45°	20	K19506
	364049	160.70 - 203.20	45°	20	K19506
337017	98.20 - 1018.20	45°	20	K19506	

NOTE: Pricing and delivery available on request.


B10-N: 10-13



B10-F



B10: xii-xiii

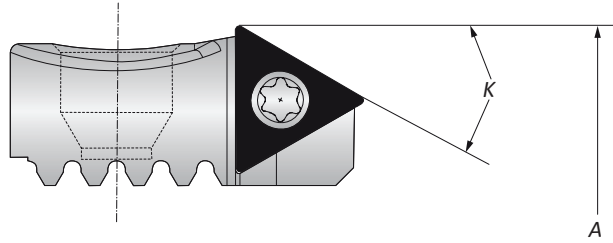


Key on B10-M:1

i = Imperial (in)
 m = Metric (mm)
 Inserts sold separately

60° Angle Approach Insert Holders - Form 20

Diameter Range: 1.377" - 40.110" (35.00mm - 1019.00mm)



	Boring Range		Insert Holders		Part No.
	Boring Tool	A	K	Insert Form	
i	320001	1.377 - 1.692	60°	20	K19505
	365003	1.574 - 2.066	60°	20	K19505
	320003	1.653 - 2.086	60°	20	K19505
	365034	1.929 - 2.539	60°	20	K19505
	320004	2.047 - 2.539	60°	20	K19507
	365045	2.519 - 3.228	60°	20	K19507
	365046	3.188 - 4.015	60°	20	K19507
	365047	3.897 - 5.078	60°	20	K19507
	365048	4.881 - 6.555	60°	20	K19507
	365049	6.358 - 8.031	60°	20	K19507
	338017	3.897 - 40.110	60°	20	K19507
m	310001	35.00 - 43.00	60°	20	K19505
	364003	40.00 - 52.50	60°	20	K19505
	310003	42.00 - 53.00	60°	20	K19505
	364034	49.00 - 64.50	60°	20	K19505
	310004	52.00 - 65.00	60°	20	K19507
	364045	64.00 - 82.00	60°	20	K19507
	364046	81.00 - 102.00	60°	20	K19507
	364047	99.00 - 129.00	60°	20	K19507
	364048	124.00 - 166.50	60°	20	K19507
	364049	161.50 - 204.00	60°	20	K19507
	337017	99.00 - 1019.00	60°	20	K19507

NOTE: Pricing and delivery available on request.

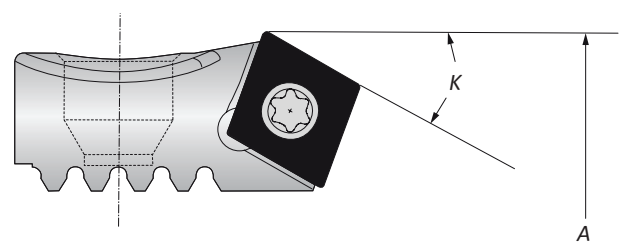
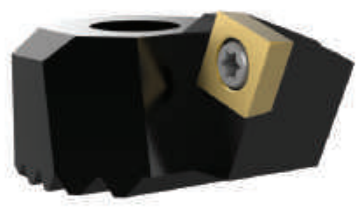
B10-N: 10-13 B10-F B10: xii-xiii

Key on B10-M: 1

i = Imperial (in)
m = Metric (mm)
Inserts sold separately

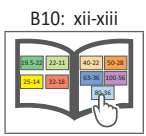
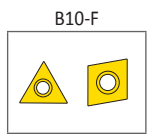
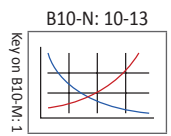
15° Angle Approach Insert Holders - Form 101

Diameter Range: 1.338" - 40.090" (34.00mm - 1018.40mm)



	Boring Range		Insert Holders		Part No.
	Boring Tool	A	K	Insert Form	
i	320001	1.338 - 1.653	15°	101	K26067
	365033	1.535 - 2.027	15°	101	K26067
	320003	1.614 - 2.047	15°	101	K26067
	365034	1.889 - 2.500	15°	101	K26067
	320004	2.023 - 2.535	15°	101	K21098
	365045	2.496 - 3.204	15°	101	K21098
	365046	3.165 - 3.992	15°	101	K21098
	365047	3.874 - 5.055	15°	101	K21098
	365048	4.858 - 6.531	15°	101	K21098
	365049	6.334 - 8.007	15°	101	K21098
	338017	3.874 - 40.090	15°	101	K21098
m	310001	34.00 - 42.00	15°	101	K26067
	364033	39.00 - 51.50	15°	101	K26067
	310003	41.00 - 52.00	15°	101	K26067
	364034	48.00 - 63.50	15°	101	K26067
	310004	51.40 - 64.40	15°	101	K21098
	364045	63.40 - 81.40	15°	101	K21098
	364046	80.40 - 101.40	15°	101	K21098
	364047	98.40 - 128.40	15°	101	K21098
	364048	123.40 - 165.90	15°	101	K21098
	364049	160.90 - 203.40	15°	101	K21098
	337017	738.40 - 1018.40	15°	101	K21098

NOTE: Pricing and delivery available on request.

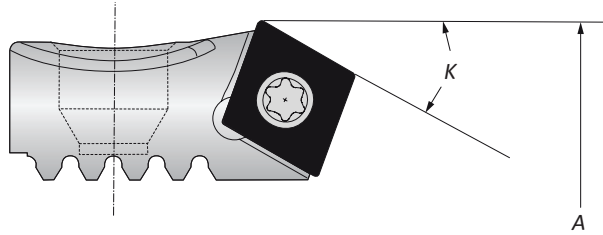


i = Imperial (in)
 m = Metric (mm)
 Inserts sold separately

A
B
C
D
E
F
G
H
I
J
K
L
M
N
INDEX

30° Angle Approach Insert Holders - Form 101

Diameter Range: 1.358" - 40.090" (34.50mm - 1018.50mm)



	Boring Range		Insert Holders		Part No.
	Boring Tool	A	K	Insert Form	
i	320001	1.358 - 1.673	30°	101	K26800
	365033	1.555 - 2.047	30°	101	K26800
	320003	1.633 - 2.066	30°	101	K26800
	365034	1.909 - 2.519	30°	101	K26800
	320004	2.027 - 2.539	30°	101	K28540
	365045	2.500 - 3.208	30°	101	K28540
	365046	3.169 - 3.996	30°	101	K28540
	365047	3.877 - 5.059	30°	101	K28540
	365048	4.862 - 6.535	30°	101	K28540
	365049	6.338 - 8.011	30°	101	K28540
	338017	3.877 - 40.090	30°	101	K28540
m	310001	34.50 - 42.50	30°	101	K26800
	364033	39.50 - 52.00	30°	101	K26800
	310003	41.50 - 52.50	30°	101	K26800
	364034	48.50 - 64.00	30°	101	K26800
	310004	51.50 - 64.50	30°	101	K28540
	364045	63.50 - 81.50	30°	101	K28540
	364046	80.50 - 101.50	30°	101	K28540
	364047	98.50 - 128.50	30°	101	K28540
	364048	123.50 - 166.00	30°	101	K28540
	364049	161.00 - 203.50	30°	101	K28540
	337017	98.50 - 1018.50	30°	101	K28540

NOTE: Pricing and delivery available on request.

Key on B10-M: 1

B10-N: 10-13

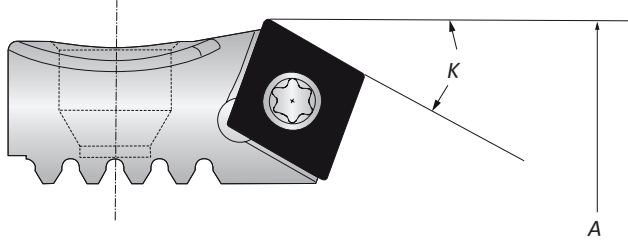
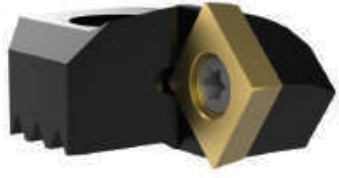
B10-F

B10: xii-xiii

i = Imperial (in)
m = Metric (mm)
Inserts sold separately

45° Angle Approach Insert Holders - Form 101

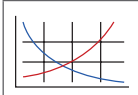
Diameter Range: 1.358" - 40.090" (34.50mm - 1018.50mm)



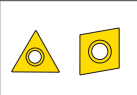
	Boring Range		Insert Holders		Part No.
	Boring Tool	A	K	Insert Form	
i	320001	1.358 - 1.673	45°	101	K26065
	365033	1.555 - 2.047	45°	101	K26065
	320003	1.633 - 2.066	45°	101	K26065
	365034	1.909 - 2.519	45°	101	K26065
	320004	2.027 - 2.539	45°	101	K25888
	365045	2.500 - 3.208	45°	101	K25888
	365046	3.169 - 3.996	45°	101	K25888
	365047	3.877 - 5.059	45°	101	K25888
	365048	4.862 - 6.535	45°	101	K25888
	365049	6.338 - 8.011	45°	101	K25888
338017	3.877 - 40.090	45°	101	K25888	
m	310001	34.50 - 42.50	45°	101	K26065
	364033	39.50 - 52.00	45°	101	K26065
	310003	41.50 - 52.50	45°	101	K26065
	364034	48.50 - 64.00	45°	101	K26065
	310004	51.50 - 64.50	45°	101	K25888
	364045	63.50 - 81.50	45°	101	K25888
	364046	80.50 - 101.50	45°	101	K25888
	364047	98.50 - 128.50	45°	101	K25888
	364048	123.50 - 166.00	45°	101	K25888
	364049	161.00 - 203.50	45°	101	K25888
337017	98.50 - 1018.50	45°	101	K25888	

NOTE: Pricing and delivery available on request.

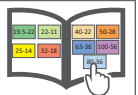
B10-N: 10-13



B10-F



B10: xii-xiii

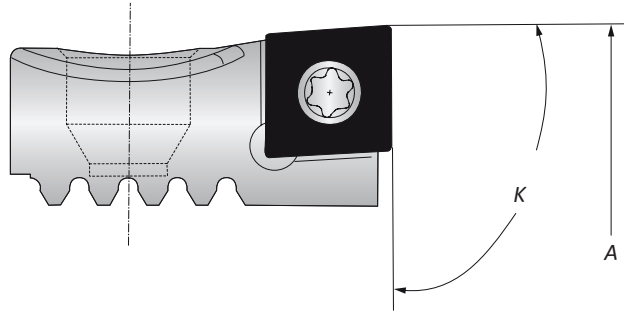


i = Imperial (in)
m = Metric (mm)
 Inserts sold separately

A
B
C
D
E
F
G
H
I
J
K
L
M
N
INDEX

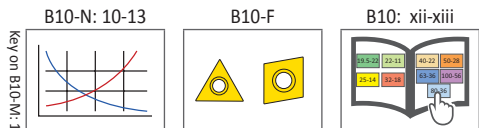
90° Angle Approach Insert Holders - Form 101

Diameter Range: 0.964" - 40.150" (24.50mm - 1020.00mm)



Boring Tool	Boring Range	Insert Holders	Insert Form	Part No.
	A	K		
365031	0.964 - 1.161	90°	101	K32944
320001	1.141 - 1.456	90°	101	K32944
365032	1.141 - 1.988	90°	101	K32944
365033	1.496 - 1.988	90°	101	K32822
320002	1.417 - 1.732	90°	101	K25618
320003	1.692 - 2.125	90°	101	K25618
365034	1.968 - 2.578	90°	101	K25618
320004	2.086 - 2.598	90°	101	K30260
365045	2.559 - 3.267	90°	101	K30260
365046	3.228 - 4.055	90°	101	K30260
365047	3.937 - 5.118	90°	101	K30260
365048	4.921 - 6.594	90°	101	K30260
365049	6.397 - 8.070	90°	101	K30260
338017	3.937 - 40.150	90°	101	K30260
i				
364031	24.50 - 29.50	90°	101	K32944
310001	29.00 - 37.00	90°	101	K32944
364032	29.00 - 38.50	90°	101	K32944
364033	38.00 - 50.50	90°	101	K32822
310002	36.00 - 44.00	90°	101	K25618
310003	43.00 - 54.00	90°	101	K25618
364034	50.00 - 65.50	90°	101	K25618
310004	53.00 - 66.00	90°	101	K30260
364045	65.00 - 83.00	90°	101	K30260
364046	82.00 - 103.00	90°	101	K30260
364047	100.00 - 130.00	90°	101	K30260
364048	125.00 - 167.50	90°	101	K30260
364049	162.50 - 205.00	90°	101	K30260
337017	100.00 - 1020.00	90°	101	K30260
m				

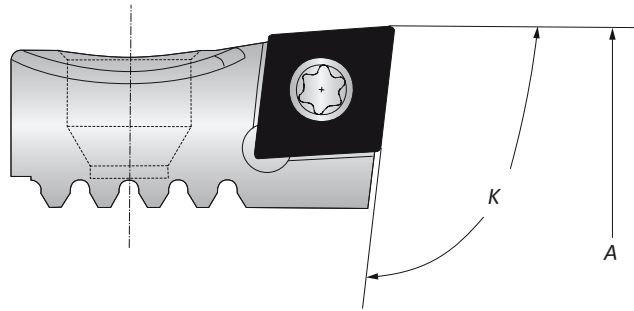
NOTE: Pricing and delivery available on request.



i = Imperial (in)
m = Metric (mm)
 Inserts sold separately

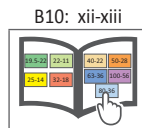
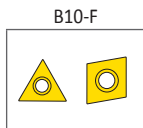
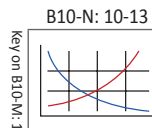
95° Angle Approach Insert Holders - Form 101

Diameter Range: 1.377" - 29.330" (35.00mm - 1020.00mm)



	Boring Range		Insert Holders		Part No.
	Boring Tool	A	K	Insert Form	
i	320001	1.377 - 1.692	95°	101	K22718
	365033	1.574 - 2.066	95°	101	K22718
	320003	1.653 - 2.086	95°	101	K22718
	365034	1.929 - 2.539	95°	101	K22718
	320004	2.086 - 2.598	95°	101	K26600
	365045	2.559 - 3.267	95°	101	K26600
	365046	3.228 - 4.055	95°	101	K26600
	365047	3.937 - 5.118	95°	101	K26600
	365048	4.921 - 6.594	95°	101	K26600
	365049	6.397 - 8.070	95°	101	K26600
	338017	3.937 - 29.330	95°	101	K26600
m	310001	35.00 - 43.00	95°	101	K22718
	364033	40.00 - 52.50	95°	101	K22718
	310003	42.00 - 53.00	95°	101	K22718
	364034	49.00 - 64.50	95°	101	K22718
	310004	53.00 - 66.00	95°	101	K26600
	364045	65.00 - 83.00	95°	101	K26600
	364046	82.00 - 103.00	95°	101	K26600
	364047	100.00 - 130.00	95°	101	K26600
	364048	125.00 - 167.50	95°	101	K26600
	364049	162.50 - 205.00	95°	101	K26600
	337017	100.00 - 1020.00	95°	101	K26600

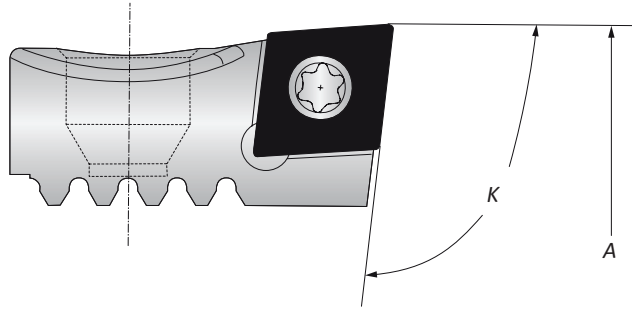
NOTE: Pricing and delivery available on request.



i = Imperial (in)
m = Metric (mm)
Inserts sold separately

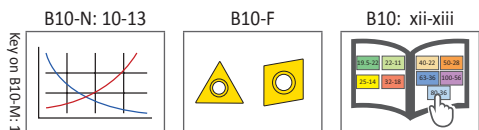
95° Angle Approach Insert Holders - Form 101

Diameter Range: 2.023" - 40.090" (51.40mm - 1018.40mm)



	Boring Range		Insert Holders		Part No.
	Boring Tool	A	K	Insert Form	
i	320004	2.023 - 2.535	95°	101	K28029
	365045	2.496 - 3.204	95°	101	K28029
	365046	3.165 - 3.992	95°	101	K28029
	365047	3.874 - 5.055	95°	101	K28029
	365048	4.858 - 6.531	95°	101	K28029
	365049	6.334 - 8.007	95°	101	K28029
	338017	3.874 - 40.090	95°	101	K28029
m	310004	51.40 - 64.40	95°	101	K28029
	364045	63.40 - 81.40	95°	101	K28029
	364046	80.40 - 101.40	95°	101	K28029
	364047	98.40 - 128.40	95°	101	K28029
	364048	123.40 - 165.90	95°	101	K28029
	364049	160.90 - 203.40	95°	101	K28029
	337017	98.40 - 1018.40	95°	101	K28029

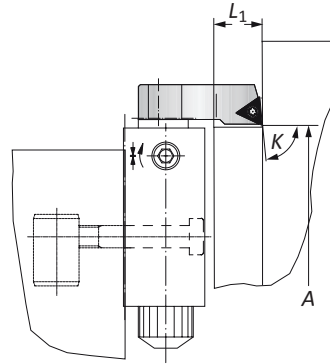
NOTE: Pricing and delivery available on request.



i = Imperial (in)
m = Metric (mm)
Inserts sold separately

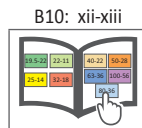
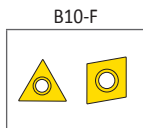
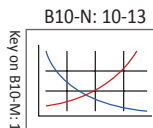
85° Angle Approach Insert Holders - Form 20

Diameter Range: 0.705" - 38.770" (18.00mm - 985.00mm)



	Boring Tool	Boring Range	Insert Holders		Insert Form	Part No.
		A	K	L ₁		
i	320004	0.705 - 1.220	85°	0.708	20	K19346
	365045	1.176 - 1.889	85°	0.708	20	K19346
	365046	1.843 - 2.667	85°	0.708	20	K19346
	365047	2.549 - 3.740	85°	0.708	20	K19346
	365048	3.529 - 5.216	85°	0.708	20	K19346
	365049	5.000 - 6.692	85°	0.708	20	K19346
	338017	2.549 - 38.770	85°	0.708	20	K19346
m	310004	18.00 - 31.00	85°	18.00	20	K19346
	364045	30.00 - 48.00	85°	18.00	20	K19346
	364046	47.00 - 68.00	85°	18.00	20	K19346
	364047	65.00 - 95.00	85°	18.00	20	K19346
	364048	90.00 - 132.50	85°	18.00	20	K19346
	364049	127.50 - 170.00	85°	18.00	20	K19346
	337017	65.00 - 985.00	85°	18.00	20	K19346

NOTE: Pricing and delivery available on request.

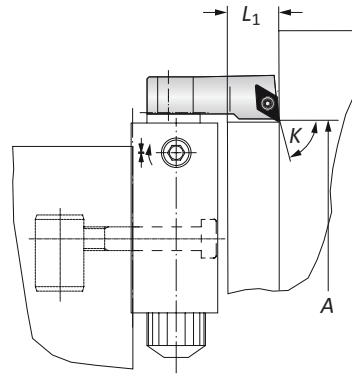


Key on B10-M: 1

i = Imperial (in)
m = Metric (mm)
Inserts sold separately

60° Angle Approach Insert Holders - Form 37

Diameter Range: 0.708" - 38.770" (18.00mm - 985.00mm)



	Boring Range		Insert Holders		Insert Form	Part No.
	Boring Tool	A	K	L ₁		
i	320004	0.708 - 1.220	60°	0.944	37	K25066
	365045	1.181 - 1.889	60°	0.944	37	K25066
	365046	1.850 - 2.677	60°	0.944	37	K25066
	365047	2.559 - 3.740	60°	0.944	37	K25066
	365048	3.543 - 5.216	60°	0.944	37	K25066
	365049	5.019 - 6.692	60°	0.944	37	K25066
	338017	2.559 - 38.770	60°	0.944	37	K25066
m	310004	18.00 - 31.00	60°	24.00	37	K25066
	364045	30.00 - 48.00	60°	24.00	37	K25066
	364046	47.00 - 68.00	60°	24.00	37	K25066
	364047	65.00 - 95.00	60°	24.00	37	K25066
	364048	90.00 - 132.50	60°	24.00	37	K25066
	364049	127.50 - 170.00	60°	24.00	37	K25066
	337017	65.00 - 985.00	60°	24.00	37	K25066

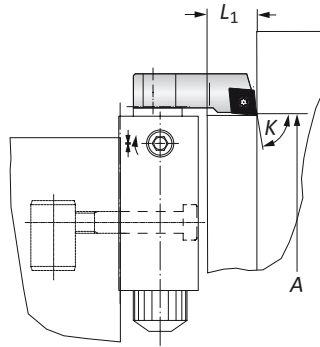
NOTE: Pricing and delivery available on request.

B10-N: 10-13 B10-F B10: xii-xiii

i = Imperial (in)
m = Metric (mm)
Inserts sold separately

85° Angle Approach Insert Holders - Form 101

Diameter Range: 0.708" - 38.770" (18.00mm - 985.00mm)



	Boring Tool	Boring Range		Insert Holders		Insert Form	Part No.
		A	K	L ₁			
i	320004	0.708 - 1.220	85°	0.708		101	K19344
	365045	1.181 - 1.889	85°	0.708		101	K19344
	365046	1.850 - 2.677	85°	0.708		101	K19344
	365047	2.559 - 3.740	85°	0.708		101	K19344
	365048	3.543 - 5.216	85°	0.708		101	K19344
	365049	5.019 - 6.692	85°	0.708		101	K19344
	338017	2.559 - 38.770	85°	0.708		101	K19344
m	310004	18.00 - 31.00	85°	18.00		101	K19344
	364045	30.00 - 48.00	85°	18.00		101	K19344
	364046	47.00 - 68.00	85°	18.00		101	K19344
	364047	65.00 - 95.00	85°	18.00		101	K19344
	364048	90.00 - 132.50	85°	18.00		101	K19344
	364049	127.50 - 170.00	85°	18.00		101	K19344
	337017	65.00 - 985.00	85°	18.00		101	K19344

NOTE: Pricing and delivery available on request.

B10-N: 10-13

B10-F

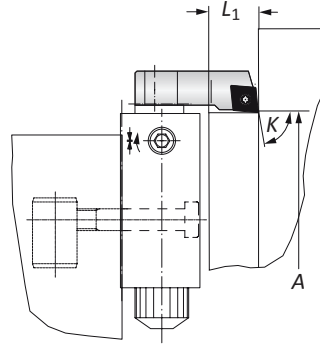
B10: xii-xiii

Key on B10-M: 1

i = Imperial (in)
 m = Metric (mm)
 Inserts sold separately

85° Angle Approach Insert Holders - Form 101

Diameter Range: 0.787" - 38.770" (18.00mm - 985.00mm)



Boring Tool	Boring Range	Insert Holders			Insert Form	Part No.
	A	K	L ₁			
i	320004	0.708 - 1.220	85°	0.866	101	K31045
	365045	1.181 - 1.889	85°	0.866	101	K31045
	365046	1.850 - 2.677	85°	0.866	101	K31045
	365047	2.559 - 3.740	85°	0.866	101	K31045
	365048	3.543 - 5.216	85°	0.866	101	K31045
	365049	5.019 - 6.692	85°	0.866	101	K31045
	338017	2.559 - 38.770	85°	0.866	101	K31045
m	310004	18.00 - 31.00	85°	22.00	101	K31045
	364045	30.00 - 48.00	85°	22.00	101	K31045
	364046	47.00 - 68.00	85°	22.00	101	K31045
	364047	65.00 - 95.00	85°	22.00	101	K31045
	364048	90.00 - 132.50	85°	22.00	101	K31045
	364049	127.50 - 170.00	85°	22.00	101	K31045
	337017	65.00 - 985.00	85°	22.00	101	K31045

NOTE: Pricing and delivery available on request.

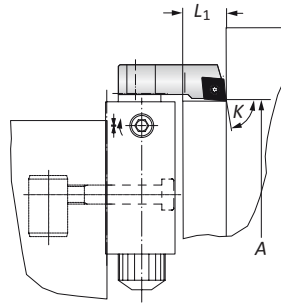
B10-N: 10-13 B10-F B10: xii-xiii

Key on B10-M: 1

i = Imperial (in)
m = Metric (mm)
Inserts sold separately

85° Angle Approach Insert Holders - Form 103, 104

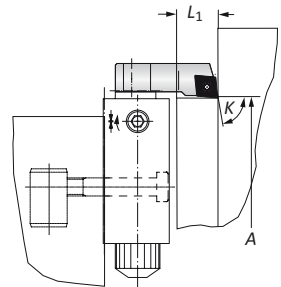
Diameter Range: 0.708" - 38.770" (18.00mm - 985.00mm)



85° Angle Approach Insert Holders - Form 103

	Boring Tool	Boring Range A	Insert Holders			Part No.
			K	L ₁	Insert Form	
i	320004	0.708 - 1.220	85°	0.708	103	K19125
	365045	1.181 - 1.889	85°	0.708	103	K19125
	365046	1.850 - 2.677	85°	0.708	103	K19125
	365047	2.559 - 3.740	85°	0.708	103	K19125
	365048	3.543 - 5.216	85°	0.708	103	K19125
	365049	5.019 - 6.692	85°	0.708	103	K19125
	338017	2.559 - 38.770	85°	0.708	103	K19125
m	310004	18.00 - 31.00	85°	18.00	103	K19125
	364045	30.00 - 48.00	85°	18.00	103	K19125
	364046	47.00 - 68.00	85°	18.00	103	K19125
	364047	65.00 - 95.00	85°	18.00	103	K19125
	364048	90.00 - 132.50	85°	18.00	103	K19125
	364049	127.50 - 170.00	85°	18.00	103	K19125
	337017	65.00 - 985.00	85°	18.00	103	K19125

NOTE: Pricing and delivery available on request.



85° Angle Approach Insert Holders - Form 104

	Boring Tool	Boring Range A	Insert Holders			Part No.
			K	L ₁	Insert Form	
i	320004	0.708 - 1.220	85°	1.062	104	K31574
	365045	1.181 - 1.889	85°	1.062	104	K31574
	365046	1.850 - 2.677	85°	1.062	104	K31574
	365047	2.559 - 3.740	85°	1.062	104	K31574
	364048	3.543 - 5.216	85°	1.062	104	K31574
	364049	5.019 - 6.692	85°	1.062	104	K31574
	338017	2.559 - 38.770	85°	1.062	104	K31574
m	310004	18.00 - 31.00	85°	27.00	104	K31574
	364045	30.00 - 48.00	85°	27.00	104	K31574
	364046	47.00 - 68.00	85°	27.00	104	K31574
	364047	65.00 - 95.00	85°	27.00	104	K31574
	364048	90.00 - 132.50	85°	27.00	104	K31574
	364049	127.50 - 170.00	85°	27.00	104	K31574
	337017	65.00 - 985.00	85°	27.00	104	K31574

NOTE: Pricing and delivery available on request.

B10-N: 10-13

B10-F

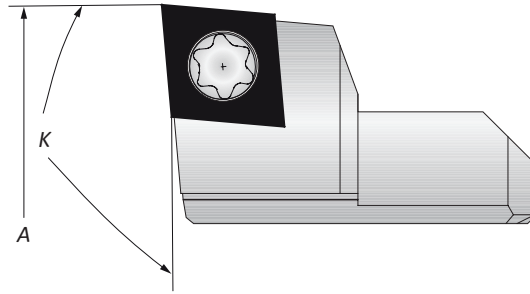
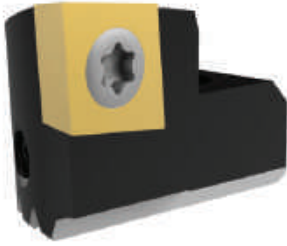
B10: xii-xiii

Key on B10-M-1

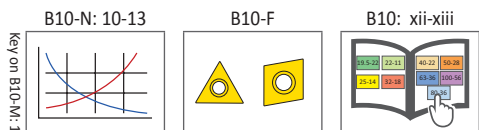
i = Imperial (in)
m = Metric (mm)
Inserts sold separately

95° Angle Approach Combi-Line Insert Holders - Form 101, 103

Diameter Range: 0.965" - 7.913" (24.51 - 200.90mm)



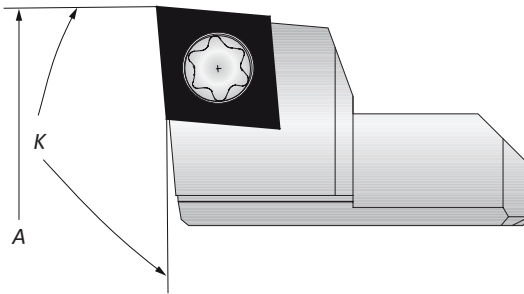
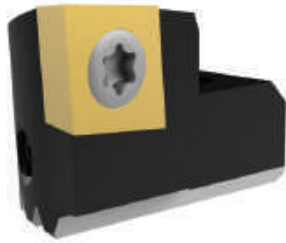
Boring Tool	Boring Range	Insert Holders	Insert Form	Part No.	
	A	K			
i	404003	0.965 - 1.161	95°	101	K32618
	404004	1.142 - 1.457	95°	103	K31403
	404005	1.417 - 1.732	95°	103	K31404
	404006	1.693 - 2.126	95°	103	K31405
	404007	2.087 - 2.598	95°	103	K31406
	404008	2.559 - 3.268	95°	103	K31407
	404009	3.228 - 4.055	95°	103	K31408
	404010	4.016 - 5.000	95°	103	K31632
	404010	5.000 - 5.984	95°	103	K31634
	404011	5.945 - 7.913	95°	103	K31632
404011	6.929 - 7.913	95°	103	K31634	
m	401003	24.51 - 29.48	95°	101	K32618
	401004	29.00 - 37.00	95°	103	K31403
	401005	35.99 - 43.99	95°	103	K31404
	401006	43.00 - 54.00	95°	103	K31405
	401007	53.00 - 65.98	95°	103	K31406
	401008	64.99 - 83.00	95°	103	K31407
	401009	81.99 - 102.90	95°	103	K31408
	401010	102.00 - 127.00	95°	103	K31632
	401010	127.00 - 151.90	95°	103	K31634
	401011	151.00 - 200.90	95°	103	K31632
	401011	175.90 - 200.90	95°	103	K31634



i = Imperial (in)
m = Metric (mm)
Inserts sold separately

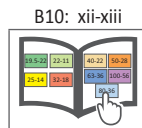
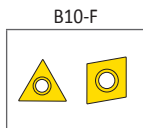
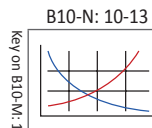
90° Angle Approach Combi-Line Same Level Insert Holders - Form 101, 103

Diameter Range: 0.965" - 7.913" (24.51mm - 200.90mm)



	Boring Tool	Boring Range	Insert Holders	Insert Form	Part No.
		A	K		
i	404003	0.965 - 1.161	90°	101	K32616
	404004	1.142 - 1.457	90°	103	K31372
	404005	1.417 - 1.732	90°	103	K31373
	404006	1.693 - 2.126	90°	103	K31374
	404007	2.087 - 2.598	90°	103	K31375
	404008	2.559 - 3.268	90°	103	K31376
	404009	3.228 - 4.055	90°	103	K31377
	404010	4.016 - 5.000	90°	103	K31628
	404010	5.000 - 5.984	90°	103	K31630
	404011	5.945 - 7.913	90°	103	K31628
	404011	6.929 - 7.913	90°	103	K31630
m	401003	24.51 - 29.48	90°	101	K32616
	401004	29.00 - 37.00	90°	103	K31372
	401005	35.99 - 43.99	90°	103	K31373
	401006	43.00 - 54.00	90°	103	K31374
	401007	53.00 - 65.98	90°	103	K31375
	401008	64.99 - 83.00	90°	103	K31376
	401009	81.99 - 102.90	90°	103	K31377
	401010	102.00 - 127.00	90°	103	K31628
	401010	127.00 - 151.90	90°	103	K31630
	401011	151.00 - 200.90	90°	103	K31628
	401011	175.90 - 200.90	90°	103	K31630

NOTE: Same level insert holders will still produce a 0.003" (0.0001mm) step



i = Imperial (in)
m = Metric (mm)
Inserts sold separately

SECTION

B10-N

Accessories / Technical Information

Wohlhaupter® Accessories / Technical Information



Your safety and the safety of others is very important. This catalog contains important safety messages. Always read and follow all safety precautions.



This triangle is a safety hazard symbol. It alerts you to potential safety hazards that can cause tool failure and serious injury.

When you see this symbol in the catalog, look for a related safety message that may be near this triangle or referred to in the nearby text.

There are safety signal words also used in the catalog. Safety messages follow these words.

WARNING

WARNING (shown above) means that failure to follow the precautions in this message could result in tool failure and serious injury.

NOTICE means that failure to follow the precautions in this message could result in damage to the tool or machine but not result in personal injury.

NOTE and **IMPORTANT** are also used. These are important that you read and follow but are not safety-related.

Visit www.alliedmachine.com for the most up-to-date information and procedures.

Applicable Industries



Aerospace



Agriculture



Automotive



Firearms



General
Machining



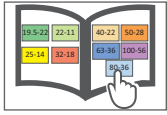
Oil & Gas



Renewable
Energy

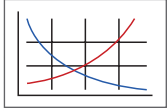
Reference Icons

The following icons will appear throughout the catalog to help you navigate between products.



MVS Connection Color Guide

Detailed instructions and information regarding the MVS connection(s)



Recommended Cutting Data

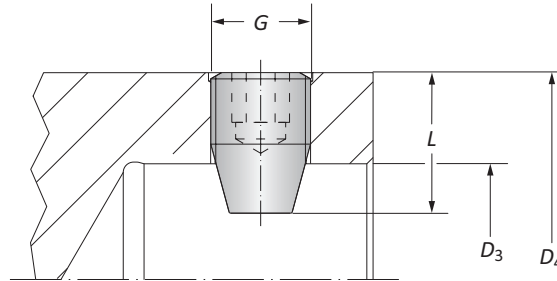
Speed and feed recommendations for optimum and safe boring

Accessories and Technical Information Table of Contents

Threaded Taper Pins	2 - 3
Clamping Pieces	4
Heavy Metal Balancing Screws	5
Torque Drivers and Wrenches	6
Torque Driver and Wrench Sets	7
Technical Information	
Guidelines for not Exceeding Recommended Length to Diameter Ratio	8
Calculating Tool Assembly Weight	9
Recommended Cutting Data	
Imperial	10 - 11
Metric	12 - 13

Accessories

Threaded Taper Pins for MVS Connections

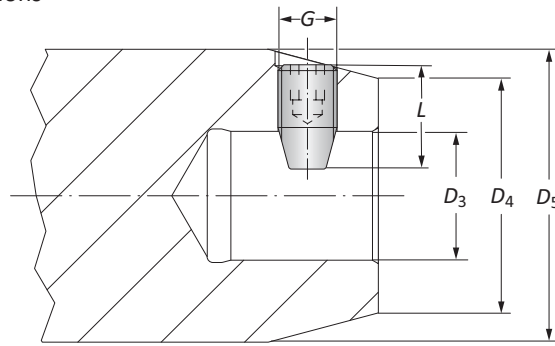


	Connection $D_4 D_3$	Taper Pin		Service Key	Steel	Titanium
		G	L		Part No.	Part No.
i	19.5 - 11	M 5 x 0.5	0.256	s2.5 / A	115949	-
	22 - 11	M 5 x 0.5	0.327	s2.5 / A	215375	-
	25 - 14	M 8 x 1.0	0.327	s4 / B	132174	-
	32 - 18	M 8 x 1.0	0.409	s4 / B	132142	-
	40 - 22	M 10 x 1.0	0.571	s5 / B	133113	-
	50 - 28	M 12 x 1.0	0.657	s6 / B	132145	415334
	63 - 36	M 16 x 1.5	0.780	s8 / B	132146	415336
	100 - 56	M 24 x 2.0	1.339	s12 / B	215470	415337
m	19.5 - 11	M 5 x 0.5	6.50	s2.5 / A	115949	-
	22 - 11	M 5 x 0.5	8.30	s2.5 / A	215375	-
	25 - 14	M 8 x 1.0	8.30	s4 / B	132174	-
	32 - 18	M 8 x 1.0	10.40	s4 / B	132142	-
	40 - 22	M 10 x 1.0	14.50	s5 / B	133113	-
	50 - 28	M 12 x 1.0	16.70	s6 / B	132145	415334
	63 - 36	M 16 x 1.5	19.80	s8 / B	132146	415336
	100 - 56	M 24 x 2.0	34.00	s12 / B	215470	415337

NOTE: Steel or titanium taper pins are used in balancing the Alu-Line tooling.

Accessories

Threaded Taper Pins for MVS Connections

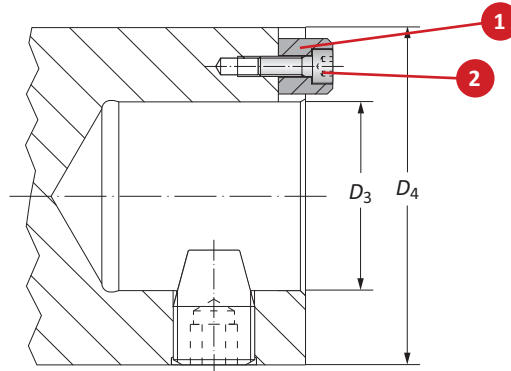


Connection	Taper Pin			Service Key	Steel	Titanium	
	$D_4 D_3$	G	L		D_5	Part No.	Part No.
i	22 - 11	M 5 x 0.5	0.327	1.260	s2.5 / A	215375	-
	22 - 11	M 5 x 0.5	0.630	1.575	s2.5 / A	215376	-
	22 - 11	M 5 x 0.5	0.630	1.969	s2.5 / A	215376	-
	22 - 11	M 5 x 0.5	0.630	2.480	s2.5 / A	215376	-
	25 - 14	M 8 x 1.0	0.409	1.260	s4 / B	132142	-
	25 - 14	M 8 x 1.0	0.409	1.417	s4 / B	132142	-
	32 - 18	M 8 x 1.0	0.409	1.378	s4 / B	132142	-
	32 - 18	M 8 x 1.0	0.571	1.457	s4 / B	132143	-
	32 - 18	M 8 x 1.0	0.571	1.575	s4 / B	132143	-
	32 - 18	M 8 x 1.0	0.571	1.811	s4 / B	132143	-
	40 - 22	M 10 x 1.0	0.571	1.575	s5 / B	133113	-
	40 - 22	M 10 x 1.0	0.701	1.850	s5 / B	132144	-
	40 - 22	M 10 x 1.0	0.701	1.969	s5 / B	132144	-
	50 - 28	M 12 x 1.0	0.657	2.480	s6 / B	132145	415334
	63 - 36	M 16 x 1.5	0.780	3.150	s8 / B	132146	415336
	80 - 36	M 16 x 1.5	1.134	3.150	s8 / B	132191	415335
m	22 - 11	M 5 x 0.5	8.30	32.00	s2.5 / A	215375	-
	22 - 11	M 5 x 0.5	16.00	40.00	s2.5 / A	215376	-
	22 - 11	M 5 x 0.5	16.00	50.00	s2.5 / A	215376	-
	22 - 11	M 5 x 0.5	16.00	63.00	s2.5 / A	215376	-
	25 - 14	M 8 x 1.0	10.40	32.00	s4 / B	132142	-
	25 - 14	M 8 x 1.0	10.40	36.00	s4 / B	132142	-
	32 - 18	M 8 x 1.0	10.40	35.00	s4 / B	132142	-
	32 - 18	M 8 x 1.0	14.50	37.00	s4 / B	132143	-
	32 - 18	M 8 x 1.0	14.50	40.00	s4 / B	132143	-
	32 - 18	M 8 x 1.0	14.50	46.00	s4 / B	132143	-
	40 - 22	M 10 x 1.0	14.50	40.00	s5 / B	133113	-
	40 - 22	M 10 x 1.0	17.80	47.00	s5 / B	132144	-
	40 - 22	M 10 x 1.0	17.80	50.00	s5 / B	132144	-
	50 - 28	M 12 x 1.0	16.70	63.00	s6 / B	132145	415334
	63 - 36	M 16 x 1.5	19.80	80.00	s8 / B	132146	415336
	80 - 36	M 16 x 1.5	28.80	80.00	s8 / B	132191	415335

NOTE: Steel or titanium taper pins are used in balancing the Alu-Line tooling.

Accessories

Clamping Pieces for MVS Connection 100 - 56 | D 60 / D 40 Connections



Clamping Pieces for MVS 100 - 56

Connection	Service Key	1 Torque		Service Key	2 Cap Screw	
		D x L	Part No.		D x L	Part No.
100 - 56	-	-	115641	S5 / B	M 6 x 16	115147

Clamping Pieces for D 60 / D 40

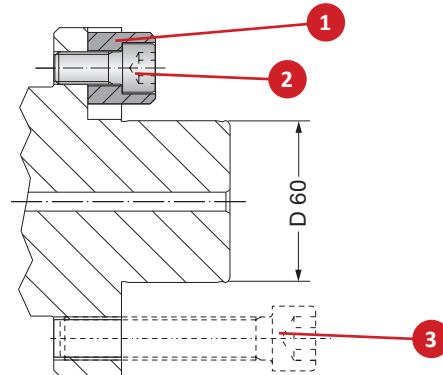
Connection	1 Torque
	Part No.
D 60	115643 (125mm)
D 60	KW31562 (110mm)
D 40	117143

Clamping Pieces for D 60 / D 40

Connection	Service Key	2 Cap Screw	
		D x L	Part No.
D 60	s10 / B	M 12 x 25	115237
D 40	s5 / B	M 6 x 16	115147

Clamping Pieces for D 60 / D 40

Connection	Service Key	3 Cap Screw	
		D x L	Part No.
D 60	s14 / C	M 16 x 80	115170 ⁽¹⁾
D 60	s14 / C	M 16 x 55	215189 ⁽²⁾
D 40	s10 / B	M 12 x 75	315186 ⁽³⁾
D 40	s10 / B	M 12 x 50	077104 ⁽²⁾



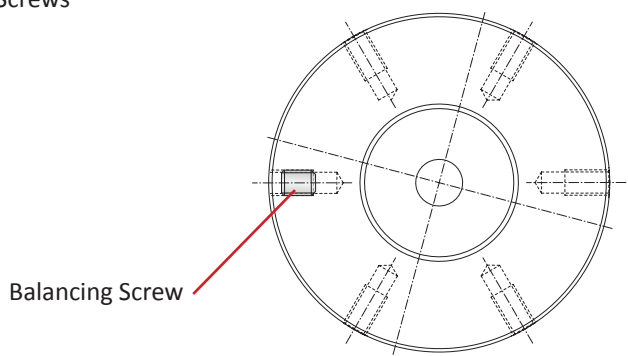
⁽¹⁾ To mount boring tools above $\varnothing 7.874''$ (200.00mm) see section B10-F

⁽²⁾ Cap screws used for mounting cutter heads to DIN 1830

⁽³⁾ $\varnothing 7.874'' - 26.771''$ (200.00mm - 680.00mm)

Accessories

Heavy Metal Balancing Screws



Balancing Screw		
Nominal Size	Service Key	Part No.
M 5 x 6	0.8 x 4 / K	415573
M 6 x 6	0.8 x 4 / K	415284
M 6 x 8	0.8 x 4 / K	415341
M 6 x 10	0.8 x 4 / K	415283
M 8 x 8	1.2 x 6.5 / K	415285
M 8 x 10	1.2 x 6.5 / K	415286
M 8 x 12	1.2 x 6.5 / K	415287

A
B
C
D
E
F
G
H
I
J
K
L
M
N

Accessories

Torque Drivers | Wrenches

Service Keys for Insert Holders and Fixing Screws (Type A, B, C, F)

Service Key	Part No.
S1.5 / A	215472
s2 / A	215473
s2 / B	415761
s2.5 / A	115575
s2.5 / B	415577
s3 / A	115630
s3 / B	415578
s4 / B	115576
s4 / F	315265
s4 / B	415164
s5 / B	115577
s5 / B	415165
s6 / B	115578
s8 / B	115579
s8 / C	415611
s10 / B	115580
s12 / B	215638
s14 / C	215639

Fixed Torque Driver (Type H)

Service Key	Part No.
T6 / H	115537
T7 / H	115591
T8 / H	115590
T15 / H	115664
T20 / H	215150
T25 / H	415121

Torque Driver (Type H)

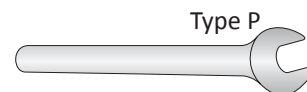
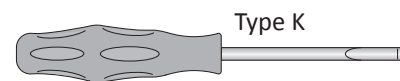
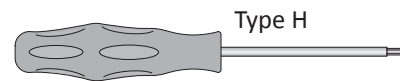
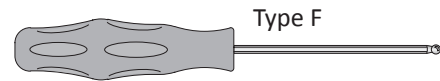
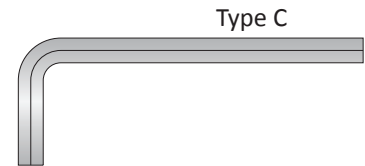
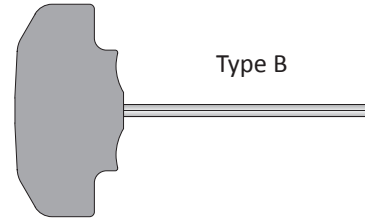
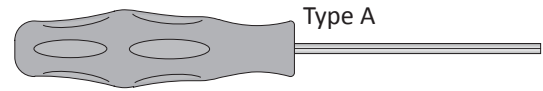
Service Key	Part No.
T6 / H	415507
T7 / H	415508
T8 / H	415514
T15 / H	415510
T20 / H	415543

Torque Driver (Type K)

Service Key	Part No.
0.5 x 3 / K	315322
0.8 x 4 / K	415579
1.2 x 6.5 / K	415580

Wrench (Type P)

Service Key	Part No.
13 / P	315689
15 / P	315690
19 / P	315691



Accessories

Torque Driver Set | 25 Piece Wrench Set



NOTE: Torque driver set pictured

Torque Driver Set: Torx Bits, Hexagon Bits, Flat Blade Bits

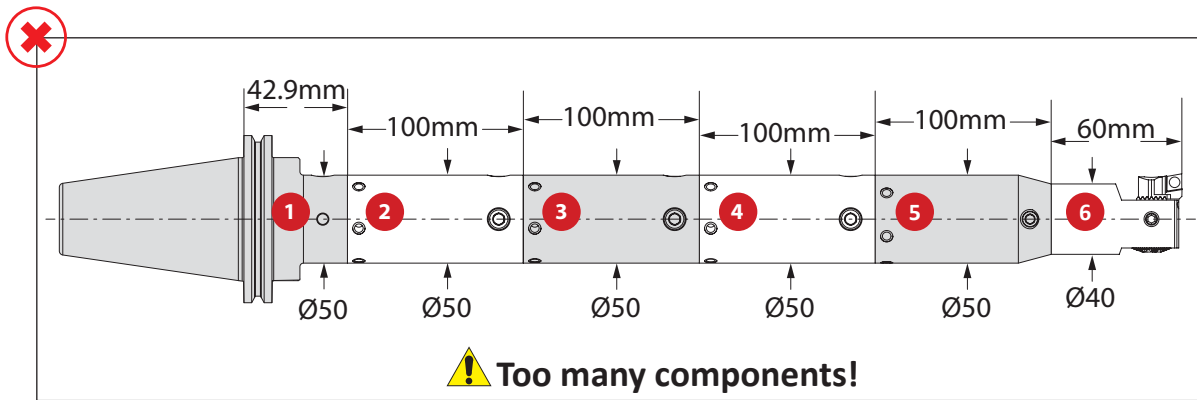
Type	Pieces	Size	Set Part No.
Flat Blade Bit	1	0.3 - 1.2 (Nm)	103086
Flat Blade Bit	1	1.2 - 3.0 (Nm)	
Flat Blade Bit	1	4.0 - 8.0 (Nm)	
Torque Driver	3	T6	
Torque Driver	3	T7	
Torque Driver	3	T8	
Torque Driver	1	T16	
Torque Driver	1	T20	
Torque Driver	1	T25	
Hexagon Bit	3	s2	
Hexagon Bit	3	s2.5	
Hexagon Bit	2	s3	
Hexagon Bit	2	s4	
Hexagon Bit	1	s5	
Hexagon Bit	1	0.5 x 3.0	

25 Piece Wrench Set

Type	Size	Set Part No.
A	s1.5 / s2 / s2.5 / s3 / s4	103025
B	s4 / s5 / s6 / s8 / s10 / s12 / s14	
C	s7	
F	s4	
H	T6 / T7 / T8 / T15 / T20 / T25	
K	0.5 x 3	
P	s13 / s15 / s19	

Guidelines for not Exceeding Recommended Length to Diameter Ratio

To calculate, see graphics below:



NOTE: Length to diameter ratio is calculated using body diameters, not cutting diameter.
NOTE: Do not exceed recommended 10xD length to diameter ratio or exceed 4 total components (including shank)

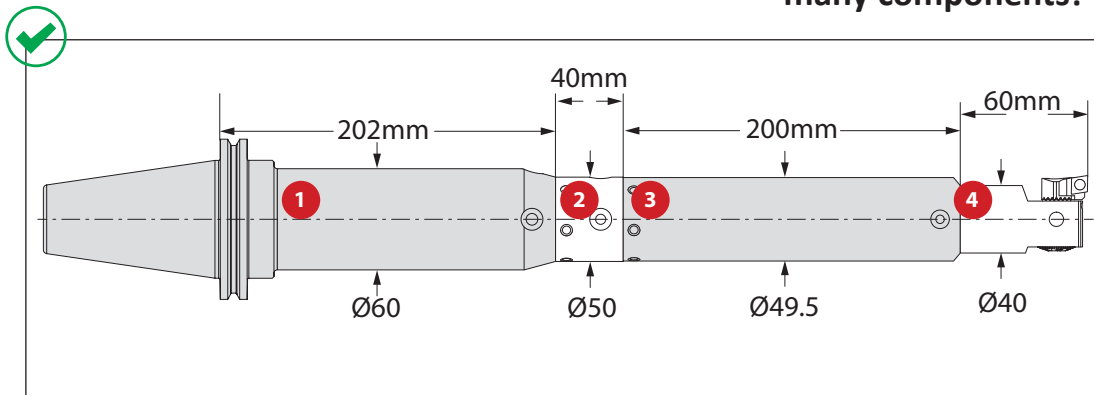
Step 1: Find L : D by component

- 1 0.9 = 42.9/50
- 2 2.0 = 100/50
- 3 2.0 = 100/50
- 4 2.0 = 100/50
- 5 2.0 = 100/50
- 6 1.5 = 60/40

Step 2: Add each L : D Average

- 0.9
- 2.0
- 2.0
- 2.0
- 2.0
- 2.0
- + 1.5
- 10.4 = L : D ratio**

Too long with too many components!



NOTE: Length to diameter ratio is calculated using body diameters, not cutting diameter.
NOTE: Do not exceed recommended 10xD length to diameter ratio or exceed 4 total components (including shank)

Step 1: Find L : D by component

- 1 3.2 = 202/60
- 2 0.8 = 40/50
- 3 4.0 = 200/49.5
- 4 1.5 = 60/40

Step 2: Add each L : D average

- 3.2
- 0.8
- 4.0
- + 1.5
- 9.5 = L : D ratio**

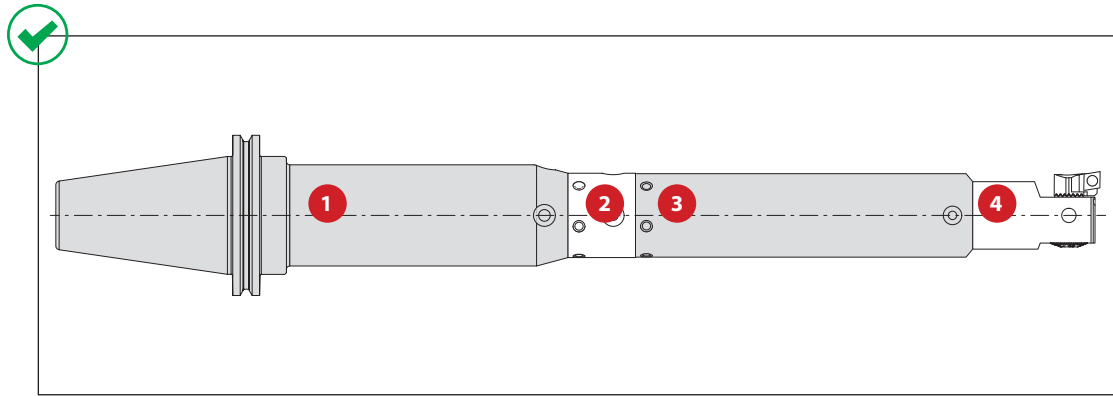
1. WARNING Tool failure can cause serious injury. To prevent:

-Do not exceed recommended 10xD length to diameter ratio or exceed 4 total components (including shank)

Factory technical assistance is available for your specific applications through our Application Engineering department. ext: 7611 | email: appeng@alliedmachine.com

Calculating Tool Assembly Weight

To calculate, see graphics below:



Step 1: Find weight for each component circled in the example table below

Example:

	MVS Connection	Boring Range	4 Boring Head				Weight	Part No.
	D_1 & D_2	A	X_1	X_2	L_2	D_5		
i	40 - 22	2.087 - 2.598	2.953	1.535	2.854	-	1.543 (lbs)	320004
m	40 - 22	53.01 - 65.98	75.00	39.00	72.50	-	0.70 (kg)	320004

Step 2: Calculate total assembly weight

$$\begin{array}{r}
 1 \ 6.6 \text{ kg} \\
 2 \ 0.6 \text{ kg} \\
 3 \ 3.5 \text{ kg} \\
 + 4 \ 0.7 \text{ kg} \\
 \hline
 11.4 \text{ kg}
 \end{array}$$

Step 3: Consult machine tool builder to ensure tool assembly weight does not exceed machine capabilities.

⚠ WARNING Exceeding weight capacity for machine tool spindle and tool changer can cause machine damage, and/or serious injury. To prevent:
 -Consult machine tool builder for machine's weight limitations.
 Factory technical assistance is also available for specific applications through our Application Engineering department. ext: 7611 | email: appeng@alliedmachine.com

Recommended Cutting Data | Imperial (inch)

ISO	Material	(BHN) Hardness	Grade	*Speed SFM	Recommended Feed (inch / tooth) Nose Radi			
					0.004"	0.008"	0.016"	0.031"
P	Free Machining Steel 1118, 1215, 12L14, etc.	100 - 250	Carbide	525 - 975	0.001 - 0.003	0.002 - 0.005	0.004 - 0.006	0.006 - 0.009
	Low Carbon Steel 1010, 1020, 1025, 1522, 1144, etc.	85 - 275	Carbide	475 - 925	0.001 - 0.002	0.002 - 0.004	0.003 - 0.005	0.005 - 0.008
	Medium Carbon Steel 1030, 1040, 1050, 1527, 1140, 1151, etc.	125 - 325	Carbide	475 - 825	0.001 - 0.002	0.002 - 0.004	0.003 - 0.005	0.005 - 0.008
	Alloy Steel 4140, 5140, 8640, etc.	125 - 375	Carbide	400 - 700	0.001 - 0.002	0.002 - 0.004	0.003 - 0.005	0.005 - 0.008
	High Strength Alloy 4340, 4330V, 300M, etc.	225 - 400	Carbide	325 - 600	0.001 - 0.002	0.002 - 0.004	0.003 - 0.005	0.005 - 0.008
	Structural Steel A36, A285, A516, etc.	100 - 350	Carbide	475 - 925	0.001 - 0.002	0.002 - 0.004	0.003 - 0.005	0.005 - 0.008
	Tool Steel H-13, H-21, A-4, O-2, S-3, etc.	150 - 250	Carbide	325 - 600	0.001 - 0.002	0.002 - 0.003	0.003 - 0.004	0.004 - 0.006
S	High Temp Alloy Hastelloy B, Inconel 600, etc.	140 - 310	Carbide	100 - 225	0.001 - 0.002	0.002 - 0.003	0.003 - 0.005	0.004 - 0.006
	Titanium Alloy	140 - 310	Carbide	125 - 300	0.001 - 0.002	0.002 - 0.003	0.003 - 0.005	0.004 - 0.006
	Aerospace Alloy S82	185 - 350	Carbide	125 - 300	0.001 - 0.002	0.002 - 0.003	0.003 - 0.005	0.004 - 0.006
M	Stainless Steel 400 Series 416, 420, etc.	185 - 350	Carbide	300 - 525	0.001 - 0.002	0.002 - 0.004	0.003 - 0.004	0.004 - 0.006
	Stainless Steel 300 Series 304, 316, 17-4PH, etc.	135 - 275	Carbide	300 - 525	0.001 - 0.002	0.002 - 0.004	0.003 - 0.004	0.004 - 0.006
	Super Duplex Stainless Steel	135 - 275	Carbide	300 - 525	0.001 - 0.002	0.002 - 0.004	0.003 - 0.004	0.004 - 0.006

*Not to exceed max recommended RPM for boring head found in corresponding Wohlhaupter Operation Manual

Deep Hole Boring Speed Adjustment

⚠ For Dynamic Boring Tool Length

Boring Type	7xD	8xD	9xD	10xD
Roughing	❖	❖	❖	❖
Finishing	0.70	0.50	0.30	❖

❖ Contact our Application Engineering department for assistance when boring these depths without NOVI^{TECH}.

Deep Hole Boring Speed Adjustment

⚠ For Dynamic Boring Tool NOVI^{TECH} Length

Boring Type	8xD	9xD	10xD
Roughing	0.80	0.60	0.40
Finishing	0.90	0.70	0.50

*Not to exceed recommended RPM printed on NOVI^{TECH} module

Recommended Speed Example

If the recommended speed for a finish boring assembly under 5xD is 400 SFM, then the speed for a 10xD finish boring assembly in the same application would be 200 SFM. (400 SFM x 0.50 = 200 SFM)

5xD = 400 SFM

10xD = 200 SFM

IMPORTANT: Max spindle speed refers to maximum possible speed for individual boring head and is not a recommended parameter. Factory technical assistance is available for your specific applications through our Application Engineering department. ext: 7611 | email: appeng@alliedmachine.com

⚠ WARNING Tool failure can cause serious injury. To prevent:

- Do not exceed recommended 10xD length to diameter ratio or exceed 4 total components (including shank)
- Refer to example on page B10-N: 8 for calculating length to diameter ratio

Factory technical assistance is available for your specific applications through our Application Engineering department. ext: 7611 | email: appeng@alliedmachine.com

Recommended Cutting Data | Imperial (inch)

ISO	Material	(BHN) Hardness	Grade	*Speed SFM	Recommended Feed (inch / tooth) Nose Radi			
					0.004"	0.008"	0.016"	0.031"
H	Wear Plate Hardox, AR400, T-1, etc.	400 - 600	Carbide	100 - 200	0.001 - 0.002	0.002 - 0.003	0.003 - 0.004	0.004 - 0.006
			CBN	225 - 600	0.001 - 0.002	0.002 - 0.003	0.003 - 0.004	0.004 - 0.006
	Hardened Steel	300 - 500	Carbide	125 - 275	0.001 - 0.002	0.002 - 0.003	0.003 - 0.004	0.004 - 0.006
			CBN	225 - 600	0.001 - 0.002	0.002 - 0.003	0.003 - 0.004	0.004 - 0.006
K	SG / Nodular Cast Iron	120 - 320	Carbide	475 - 850	0.001 - 0.002	0.002 - 0.004	0.003 - 0.005	0.005 - 0.008
	Grey / White Iron	180 - 320	Carbide	600 - 1050	0.001 - 0.002	0.002 - 0.004	0.003 - 0.005	0.005 - 0.008
			CBN	1325 - 3275	0.001 - 0.002	0.002 - 0.004	0.003 - 0.005	0.005 - 0.008
N	Cast Aluminum	30 - 180	Carbide	850 - 2800	0.001 - 0.002	0.002 - 0.004	0.003 - 0.005	0.005 - 0.008
			PCD	1625 - 6550	0.001 - 0.002	0.002 - 0.004	0.003 - 0.005	0.005 - 0.008
	Wrought Aluminum	30 - 180	Carbide	675 - 1975	0.001 - 0.003	0.002 - 0.005	0.004 - 0.006	0.006 - 0.009
	Aluminum Bronze	100 - 250	Carbide	475 - 925	0.001 - 0.002	0.002 - 0.004	0.004 - 0.005	0.005 - 0.008
	Brass	100	Carbide	675 - 1975	0.001 - 0.002	0.002 - 0.004	0.003 - 0.005	0.005 - 0.008
Copper	60	Carbide	325 - 600	0.001 - 0.002	0.002 - 0.003	0.003 - 0.004	0.004 - 0.005	

*Not to exceed max recommended RPM for boring head found in corresponding Wohlhaupter operation manual

Deep Hole Boring Speed Adjustment

⚠ For Dynamic Boring Tool Length				
Boring Type	7xD	8xD	9xD	10xD
Roughing	❖	❖	❖	❖
Finishing	0.70	0.50	0.30	❖

❖ Contact our Application Engineering department for assistance when boring these depths without NOVI^{TECH}.

Deep Hole Boring Speed Adjustment

⚠ For Dynamic Boring Tool NOVI ^{TECH} Length			
Boring Type	8xD	9xD	10xD
Roughing	0.80	0.60	0.40
Finishing	0.90	0.70	0.50

*Not to exceed recommended RPM printed on NOVI^{TECH} module

Recommended Speed Example

If the recommended speed for a finish boring assembly under 5xD is 400 SFM, then the speed for a 10xD finish boring assembly in the same application would be 200 SFM. (400 SFM x 0.50 = 200 SFM)

5xD = 400 SFM

10xD = 200 SFM

IMPORTANT: Max spindle speed refers to maximum possible speed for individual boring head and is not a recommended parameter. Factory technical assistance is available for your specific applications through our Application Engineering department. ext: 7611 | email: appeng@alliedmachine.com

⚠ WARNING Tool failure can cause serious injury. To prevent:

- Do not exceed recommended 10xD length to diameter ratio or exceed 4 total components (including shank)
- Refer to example on page B10-N: 8 for calculating length to diameter ratio

Factory technical assistance is available for your specific applications through our Application Engineering department. ext: 7611 | email: appeng@alliedmachine.com

Recommended Cutting Data | Metric (mm)

ISO	Material	(BHN) Hardness	Grade	*Speed M / Min	Recommended Feed (mm / tooth) Nose Radi			
					0.1mm	0.2mm	0.4mm	0.8mm
P	Free Machining Steel 1118, 1215, 12L14, etc.	100 - 250	Carbide	150 - 300	0.02 - 0.08	0.05 - 0.13	0.10 - 0.15	0.15 - 0.23
	Low Carbon Steel 1010, 1020, 1025, 1522, 1144, etc.	85 - 275	Carbide	145 - 280	0.02 - 0.05	0.05 - 0.10	0.08 - 0.13	0.13 - 0.20
	Medium Carbon Steel 1030, 1040, 1050, 1527, 1140, 1151, etc.	125 - 325	Carbide	145 - 280	0.02 - 0.05	0.05 - 0.10	0.08 - 0.13	0.13 - 0.20
	Alloy Steel 4140, 5140, 8640, etc.	125 - 375	Carbide	120 - 215	0.02 - 0.05	0.05 - 0.10	0.08 - 0.13	0.13 - 0.20
	High Strength Alloy 4340, 4330V, 300M, etc.	225 - 400	Carbide	100 - 180	0.02 - 0.05	0.05 - 0.10	0.08 - 0.13	0.13 - 0.20
	Structural Steel A36, A285, A516, etc.	100 - 350	Carbide	145 - 280	0.02 - 0.05	0.05 - 0.10	0.08 - 0.13	0.13 - 0.20
	Tool Steel H-13, H-21, A-4, O-2, S-3, etc.	150 - 250	Carbide	100 - 180	0.02 - 0.05	0.05 - 0.08	0.08 - 0.10	0.10 - 0.15
S	High Temp Alloy Hastelloy B, Inconel 600, etc.	140 - 310	Carbide	30 - 70	0.02 - 0.05	0.05 - 0.08	0.08 - 0.13	0.10 - 0.15
	Titanium Alloy	140 - 310	Carbide	40 - 90	0.02 - 0.05	0.05 - 0.08	0.08 - 0.13	0.10 - 0.15
	Aerospace Alloy S82	185 - 350	Carbide	40 - 90	0.02 - 0.05	0.05 - 0.08	0.08 - 0.13	0.10 - 0.15
M	Stainless Steel 400 Series 416, 420, etc.	185 - 350	Carbide	90 - 160	0.02 - 0.05	0.05 - 0.10	0.08 - 0.10	0.10 - 0.15
	Stainless Steel 300 Series 304, 316, 17-4PH, etc.	135 - 275	Carbide	90 - 160	0.02 - 0.05	0.05 - 0.10	0.08 - 0.10	0.10 - 0.15
	Super Duplex Stainless Steel	135 - 275	Carbide	90 - 160	0.02 - 0.05	0.05 - 0.10	0.08 - 0.10	0.10 - 0.15

*Not to exceed max recommended RPM for boring head found in corresponding Wohlhaupter Operation Manual

Deep Hole Boring Speed Adjustment

⚠ For Dynamic Boring Tool Length

Boring Type	7xD	8xD	9xD	10xD
Roughing	❖	❖	❖	❖
Finishing	0.70	0.50	0.30	❖

❖ Contact our Application Engineering department for assistance when boring these depths without NOVI^{TECH}.

Deep Hole Boring Speed Adjustment

⚠ For Dynamic Boring Tool NOVI^{TECH} Length

Boring Type	8xD	9xD	10xD
Roughing	0.80	0.60	0.40
Finishing	0.90	0.70	0.50

*Not to exceed recommended RPM printed on NOVI^{TECH} module

Recommended Speed Example

If the recommended speed for a finish boring assembly under 5xD is 120 M/Min, then the speed for a 10xD finish boring assembly in the same application would be 60 M/Min (120 M/Min x 0.50 = 60 M/Min)

5xD = 120 M/Min

10xD = 60 M/Min

IMPORTANT: Max spindle speed refers to maximum possible speed for individual boring head and is not a recommended parameter. Factory technical assistance is available for your specific applications through our Application Engineering department. ext: 7611 | email: appeng@alliedmachine.com

⚠ WARNING Tool failure can cause serious injury. To prevent:

- Do not exceed recommended 10xD length to diameter ratio or exceed 4 total components (including shank)
- Refer to example on page B10-N: 8 for calculating length to diameter ratio

Factory technical assistance is available for your specific applications through our Application Engineering department. ext: 7611 | email: appeng@alliedmachine.com

Recommended Cutting Data | Metric (mm)

ISO	Material	(BHN) Hardness	Grade	*Speed M / Min	Recommended Feed (mm / tooth) Nose Radi			
					0.1mm	0.2mm	0.4mm	0.8mm
H	Wear Plate Hardox, AR400, T-1, etc.	400 - 600	Carbide	30 - 60	0.02 - 0.05	0.05 - 0.08	0.08 - 0.10	0.10 - 0.15
			CBN	70 - 180	0.02 - 0.05	0.05 - 0.08	0.08 - 0.10	0.10 - 0.15
	Hardened Steel	300 - 500	Carbide	40 - 80	0.02 - 0.05	0.05 - 0.08	0.08 - 0.10	0.10 - 0.15
			CBN	70 - 180	0.02 - 0.05	0.05 - 0.08	0.08 - 0.10	0.10 - 0.15
K	SG / Nodular Cast Iron	120 - 320	Carbide	145 - 260	0.02 - 0.05	0.05 - 0.10	0.08 - 0.13	0.13 - 0.20
	Grey / White Iron	180 - 320	Carbide	180 - 320	0.02 - 0.05	0.05 - 0.10	0.08 - 0.13	0.13 - 0.20
			CBN	400 - 1000	0.02 - 0.05	0.05 - 0.10	0.08 - 0.13	0.13 - 0.20
N	Cast Aluminum	30 - 180	Carbide	260 - 850	0.02 - 0.05	0.05 - 0.10	0.08 - 0.13	0.13 - 0.20
			PCD	495 - 1995	0.02 - 0.05	0.05 - 0.10	0.08 - 0.13	0.13 - 0.20
	Wrought Aluminum	30 - 180	Carbide	205 - 600	0.02 - 0.05	0.05 - 0.13	0.10 - 0.15	0.15 - 0.23
	Aluminum Bronze	100 - 250	Carbide	145 - 280	0.02 - 0.05	0.05 - 0.10	0.10 - 0.13	0.13 - 0.20
	Brass	100	Carbide	205 - 600	0.02 - 0.05	0.05 - 0.10	0.08 - 0.13	0.13 - 0.20
Copper	60	Carbide	100 - 180	0.02 - 0.05	0.05 - 0.08	0.08 - 0.10	0.10 - 0.13	

*Not to exceed max recommended RPM for boring head found in corresponding Wohlhaupter operation manual

Deep Hole Boring Speed Adjustment

⚠ For Dynamic Boring Tool Length

Boring Type	7xD	8xD	9xD	10xD
Roughing	❖	❖	❖	❖
Finishing	0.70	0.50	0.30	❖

❖ Contact our Application Engineering department for assistance when boring the depths without NOVI^{TECH}.

Deep Hole Boring Speed Adjustment

⚠ For Dynamic Boring Tool NOVI^{TECH} Length

Boring Type	8xD	9xD	10xD
Roughing	0.80	0.60	0.40
Finishing	0.90	0.70	0.50

*Not to exceed recommended RPM printed on NOVI^{TECH} module

Recommended Speed Example

If the recommended speed for a finish boring assembly under 5xD is 120 M/Min, then the speed for a 10xD finish boring assembly in the same application would be 60 M/Min (120 M/Min x 0.50 = 60 M/Min)

5xD = 120 M/Min

10xD = 60 M/Min

IMPORTANT: Max spindle speed refers to maximum possible speed for individual boring head and is not a recommended parameter. Factory technical assistance is available for your specific applications through our Application Engineering department. ext: 7611 | email: appeng@alliedmachine.com

⚠ WARNING Tool failure can cause serious injury. To prevent:

-Do not exceed recommended 10xD length to diameter ratio or exceed 4 total components (including shank)

-Refer to example on page B10-N: 8 for calculating length to diameter ratio

Factory technical assistance is available for your specific applications through our Application Engineering department. ext: 7611 | email: appeng@alliedmachine.com

Part No.	Page
071705...	B10-I: 22
071706...	B10-I: 22
071707...	B10-I: 22
071708...	B10-I: 22
071709...	B10-I: 22
071710...	B10-I: 22
071711...	B10-I: 22
071712...	B10-I: 22
071713...	B10-I: 23
071714...	B10-I: 23
071715...	B10-I: 23
071716...	B10-I: 23
071717...	B10-I: 23
071718...	B10-I: 23
071719...	B10-I: 23
071720...	B10-I: 23
071721...	B10-I: 23
071722...	B10-I: 23
071723...	B10-I: 23
071724...	B10-I: 23
071725...	B10-I: 23
071743...	B10-I: 24
071744...	B10-I: 24
071745...	B10-I: 24
071746...	B10-I: 24
071747...	B10-I: 24
071748...	B10-I: 24
071749...	B10-I: 24
071750...	B10-I: 24
071751...	B10-I: 24
071752...	B10-I: 24
071753...	B10-I: 24
071754...	B10-I: 24
071755...	B10-I: 24
071756...	B10-I: 24
071757...	B10-I: 24
071758...	B10-I: 24
071761...	B10-I: 24
071762...	B10-I: 24
071763...	B10-I: 24
071764...	B10-I: 24
071765...	B10-I: 24
071766...	B10-I: 24
071767...	B10-I: 24
071768...	B10-I: 24
071769...	B10-I: 24
071770...	B10-I: 24
071771...	B10-I: 24
071772...	B10-I: 24
071773...	B10-I: 24
071774...	B10-I: 24
071775...	B10-I: 24
071776...	B10-I: 24
071777...	B10-I: 24
071778...	B10-I: 24
071779...	B10-I: 25
071780...	B10-I: 25
071781...	B10-I: 25
071782...	B10-I: 25
071783...	B10-I: 25
071784...	B10-I: 25
071785...	B10-I: 25
071786...	B10-I: 25

Part No.	Page
071787...	B10-I: 25
071788...	B10-I: 25
071789...	B10-I: 25
071790...	B10-I: 25
071791...	B10-I: 25
071792...	B10-I: 25
071793...	B10-I: 25
071794...	B10-I: 25
071795...	B10-I: 25
071796...	B10-I: 25
071797...	B10-I: 25
071798...	B10-I: 25
071799...	B10-I: 25
071800...	B10-I: 25
071801...	B10-I: 25
071826...	B10-I: 28
071827...	B10-I: 28
071828...	B10-I: 28
071829...	B10-I: 28
071830...	B10-I: 28
071831...	B10-I: 28
071832...	B10-I: 28
071833...	B10-I: 28
071834...	B10-I: 28
071835...	B10-I: 28
071836...	B10-I: 28
071837...	B10-I: 28
071901...	B10-I: 27
071902...	B10-I: 27
071903...	B10-I: 27
071904...	B10-I: 27
071912...	B10-I: 27
071913...	B10-I: 27
071914...	B10-I: 27
071915...	B10-I: 27
071916...	B10-I: 27
071917...	B10-I: 27
071918...	B10-I: 27
071919...	B10-I: 27
071920...	B10-I: 27
071921...	B10-I: 27
071922...	B10-I: 27
071923...	B10-I: 27
071924...	B10-I: 27
071925...	B10-I: 27
071926...	B10-I: 27
071927...	B10-I: 27
071928...	B10-I: 27
071929...	B10-I: 27
071930...	B10-I: 27
071931...	B10-I: 27
071932...	B10-I: 27
071933...	B10-I: 27
071934...	B10-I: 27
071935...	B10-I: 27
071936...	B10-I: 27
071937...	B10-I: 27
071938...	B10-I: 27
071939...	B10-I: 27
071940...	B10-I: 27
071941...	B10-I: 27
071986...	B10-I: 22
071987...	B10-I: 22

Part No.	Page
071988...	B10-I: 22
071989...	B10-I: 22
071990...	B10-I: 22
071991...	B10-I: 22
071992...	B10-I: 22
071993...	B10-I: 22
071994...	B10-I: 22
072104...	B10-J: 5
072105...	B10-J: 5
072106...	B10-J: 5
072107...	B10-J: 5
072108...	B10-J: 9, B10-J: 11
072109...	B10-J: 9, B10-J: 11
072110...	B10-J: 9, B10-J: 11
072111...	B10-J: 9, B10-J: 11
072112...	B10-J: 9, B10-J: 11
073003...	B10-J: 4
073004...	B10-J: 4
073005...	B10-J: 4
073006...	B10-J: 8, B10-J: 10
073007...	B10-J: 8, B10-J: 10
073008...	B10-J: 8, B10-J: 10
074003...	B10-J: 4
074004...	B10-J: 4
074005...	B10-J: 4
074006...	B10-J: 8, B10-J: 10
074007...	B10-J: 8, B10-J: 10
074008...	B10-J: 8, B10-J: 10
075001...	B10-J: 5
075002...	B10-J: 5
075003...	B10-J: 9, B10-J: 11
075004...	B10-J: 9, B10-J: 11
076001...	B10-J: 5
076002...	B10-J: 5
076003...	B10-J: 9, B10-J: 11
076004...	B10-J: 9, B10-J: 11
077104...	B10-N: 4
077110...	B10-E: 25
077128...	B10-E: 24
081041...	B10-A: 8
081042...	B10-A: 8
081043...	B10-A: 8
081044...	B10-A: 8
081045...	B10-A: 8
081046...	B10-A: 8
081047...	B10-A: 8
081048...	B10-A: 8
081049...	B10-A: 8
081050...	B10-A: 8
081053...	B10-A: 8
081055...	B10-A: 9, B10-A: 40
081087...	B10-J: 4
081092...	B10-J: 8, B10-J: 10
081306HC05...	B10-A: 7, B10-A: 29, B10-A: 39,
081307HC05...	B10-A: 7, B10-A: 29, B10-A: 39, B10-A: 54, B10-A: 61

Part No.	Page
	B10-A: 39, B10-A: 54, B10-A: 61
081307HW04...	B10-A: 7, B10-A: 29, B10-A: 39, B10-A: 54, B10-A: 61
081308HC05...	B10-A: 7, B10-A: 29, B10-A: 39, B10-A: 54, B10-A: 61
081309HC05...	B10-A: 7, B10-A: 29, B10-A: 39, B10-A: 54, B10-A: 61
081310HC05...	B10-A: 7, B10-A: 29, B10-A: 39, B10-A: 54, B10-A: 61
081310HW04...	B10-A: 7, B10-A: 29, B10-A: 39, B10-A: 54, B10-A: 61
081311HC05...	B10-A: 7, B10-A: 29, B10-A: 39, B10-A: 54, B10-A: 61
081312HC05...	B10-A: 7, B10-A: 29, B10-A: 39, B10-A: 54, B10-A: 61
081313HC05...	B10-A: 7, B10-A: 29, B10-A: 39, B10-A: 54, B10-A: 61
081313HW04...	B10-A: 7, B10-A: 29, B10-A: 39, B10-A: 54, B10-A: 61
081314HC05...	B10-A: 7, B10-A: 29, B10-A: 39, B10-A: 54, B10-A: 61

Part No.	Page
081315HC05...	B10-A: 7, B10-A: 29, B10-A: 39, B10-A: 54, B10-A: 61
081316HC05...	B10-A: 7, B10-A: 29, B10-A: 39, B10-A: 54, B10-A: 61
081316HW04...	B10-A: 7, B10-A: 29, B10-A: 39, B10-A: 54, B10-A: 61
081317BN150...	B10-A: 7, B10-A: 29, B10-A: 39, B10-A: 54, B10-A: 61
081318BN150...	B10-A: 7, B10-A: 29, B10-A: 39, B10-A: 54, B10-A: 61
081319BN150...	B10-A: 7, B10-A: 29, B10-A: 39, B10-A: 54, B10-A: 61
081320BN150...	B10-A: 7, B10-A: 29, B10-A: 39, B10-A: 54, B10-A: 61
081321BN150...	B10-A: 7, B10-A: 29, B10-A: 39, B10-A: 54, B10-A: 61
081322BN150...	B10-A: 7, B10-A: 29, B10-A: 39, B10-A: 54, B10-A: 61
081323HC05...	B10-A: 7, B10-A: 29, B10-A: 39, B10-A: 54,
081324HC05...	B10-A: 7, B10-A: 29, B10-A: 39, B10-A: 54,

Part No.	Page	Part No.	Page	Part No.	Page	Part No.	Page	Part No.	Page
	B10-A: 61	097259...	B10-F: 36	103051...	B10-A: 20	115345...	B10-I: 36		B10-F: 21,
081341BN150...		097260...	B10-F: 36	103052...	B10-A: 19	115346...	B10-I: 36		B10-F: 22,
	B10-A: 7,	097261...	B10-F: 36	103061...	B10-A: 71	115347...	B10-I: 36		B10-F: 23,
	B10-A: 29,	097262...	B10-F: 36	103062...	B10-A: 72	115348...	B10-I: 36		B10-F: 24,
	B10-A: 39,	097294...	B10-F: 36	103063...	B10-A: 73	115407...	B10-D: 23		B10-F: 25,
	B10-A: 54,	097324...	B10-F: 23	103064...	B10-A: 74	115505...	B10-B: 19		B10-F: 42,
	B10-A: 61	097445...	B10-F: 20	103065...	B10-A: 75	115519...	B10-D: 23	115673-1...	B10-F: 18,
081401HC126...		097454...	B10-F: 14	103066...	B10-A: 76	115531-1...	B10-F: 36,		B10-F: 21,
	B10-A: 6,	097462...	B10-F: 24	103080...	B10-A: 78		B10-F: 37,		B10-F: 22,
	B10-A: 53	097486...	B10-F: 15	103081...	B10-A: 77		B10-F: 42		B10-F: 23,
081401WHC126...		097487...	B10-F: 17	103086...	B10-N: 7	115535-1...	B10-A: 56,		B10-F: 24,
	B10-A: 53	097496...	B10-F: 20	103088...	B10-A: 48		B10-A: 70,		B10-F: 25,
081402HC126...		097497...	B10-F: 20	103089...	B10-A: 49		B10-F: 16,		B10-F: 42,
	B10-A: 6,	097512...	B10-F: 18	104045...	B10-A: 22		B10-F: 17,		B10-F: 20
	B10-A: 53	097529...	B10-F: 20	104046...	B10-A: 21		B10-F: 42		
081402WHC126...		097539...	B10-F: 34	104047...	B10-A: 24	115537...	B10-A: 56,		115676-1...
	B10-A: 53	097546...	B10-F: 16	104048...	B10-A: 23		B10-A: 70,		B10-A: 56,
081403HC126...		097552...	B10-F: 15	104049...	B10-A: 18		B10-N: 6,		B10-A: 70,
	B10-A: 6,	097557...	B10-F: 15	104050...	B10-A: 17		B10-F: 14,		B10-F: 36,
	B10-A: 53	097559...	B10-F: 28	104051...	B10-A: 20		B10-F: 19,		B10-F: 42,
081403WHC126...		097566...	B10-F: 34	104052...	B10-A: 19		B10-F: 42,		B10-F: 37
	B10-A: 53	097599...	B10-F: 16	104061...	B10-A: 71		B10-F: 15		115680...
081404HC126...		097686...	B10-F: 17	104062...	B10-A: 72	115566-1...	B10-I: 36		B10-I: 10
	B10-A: 6,	097701...	B10-F: 16	104063...	B10-A: 73	115575...	B10-L: 5, B10-N: 6		115681...
	B10-A: 53	097738...	B10-F: 23	104064...	B10-A: 74	115576...	B10-A: 70,		B10-I: 10
081404WHC126...		097755...	B10-F: 14	104065...	B10-A: 75		B10-N: 6		115682...
	B10-A: 53	097831...	B10-F: 41	104066...	B10-A: 76				115683...
081405HC126...		097832...	B10-F: 19	104080...	B10-A: 78	115577...	B10-N: 6		115684...
	B10-A: 6,	097833...	B10-F: 19	104081...	B10-A: 77	115578...	B10-I: 13, B10-N: 6		115685...
	B10-A: 53	097862...	B10-F: 20	104088...	B10-A: 48	115579...	B10-N: 6		115686...
081405WHC126...		097877...	B10-F: 17	104089...	B10-A: 49	115580...	B10-N: 6		115687...
	B10-A: 53	097899...	B10-F: 20	108109-1...	B10-I: 36	115590...	B10-A: 56,		115696...
081406HC126...		097926...	B10-F: 20	109109...	B10-I: 36		B10-A: 70,		115697...
	B10-A: 6,	097953...	B10-F: 18	114112...	B10-E: 23		B10-N: 6,		115699...
	B10-A: 53	097954...	B10-F: 32	114113...	B10-E: 23		B10-F: 21,		115707...
081406WHC126...		097957...	B10-F: 20	114114...	B10-E: 23		B10-F: 22,		115708...
	B10-A: 53	098060...	B10-H: 18	114115...	B10-E: 23		B10-F: 23,		115709...
081407HC126...		098061...	B10-H: 18	114224...	B10-A: 69, B10-L: 5		B10-F: 24,		115725...
	B10-A: 6,	098062...	B10-H: 18	115118...	B10-E: 22,		B10-F: 25,		B10-A: 16
	B10-A: 53	098063...	B10-H: 18		B10-E: 23,		B10-F: 42,		115730...
081407WHC126...		098064...	B10-H: 18		B10-E: 24		B10-F: 24,		115736...
	B10-A: 53	098065...	B10-H: 18	115136...	B10-A: 34, B10-B: 7		B10-F: 25,		115737...
081408HC126...		098066...	B10-H: 18	115147...	B10-A: 16,	115591...	B10-A: 56,		B10-E: 25
	B10-A: 6,	098067...	B10-H: 18		B10-I: 36, B10-N: 4		B10-A: 70,		115771...
	B10-A: 53	098068...	B10-H: 18	115166...	B10-A: 69		B10-N: 6,		115775...
081408WHC126...		098069...	B10-H: 18	115169-1...	B10-I: 36		B10-F: 16,		115802-1...
	B10-A: 53	098070...	B10-H: 18	115170...	B10-N: 4,		B10-F: 17,		B10-F: 36,
081585...	B10-I: 20	098071...	B10-H: 18		B10-E: 23,	115630...	B10-A: 70,		B10-F: 37,
097153...	B10-F: 16	098073...	B10-H: 18		B10-E: 23		B10-N: 6,		B10-F: 42
097154...	B10-F: 16	099049...	B10-I: 29	115180...	B10-B: 7		B10-F: 16,		115929...
097241...	B10-F: 23	099050...	B10-I: 29	115185...	B10-B: 7		B10-F: 42,		115930...
097242...	B10-F: 23	099051...	B10-I: 29	115186...	B10-B: 7		B10-F: 17		115932...
097244...	B10-F: 23	099053...	B10-I: 29	115192...	B10-D: 23	115641...	B10-N: 4		115933...
097245...	B10-F: 23	099054...	B10-I: 29	115196...	B10-E: 23		B10-A: 70,		115934...
097247...	B10-F: 23	099055...	B10-I: 29	115237...	B10-I: 36, B10-N: 4	115643...	B10-N: 4		115936...
097249...	B10-F: 23	1		115249...	B10-B: 7				115949...
097252...	B10-F: 34	103025...	B10-N: 7	115280...	B10-D: 23	115644...	B10-I: 36, B10-N: 4		115985...
097253...	B10-F: 36	103045...	B10-A: 22	115288...	B10-C: 5	115660...	B10-I: 42		115985...
097254...	B10-F: 36	103046...	B10-A: 21	115307...	B10-E: 25	115661...	B10-I: 42		116152...
097255...	B10-F: 36	103047...	B10-A: 24	115341...	B10-I: 36	115662...	B10-I: 42		116433...
097256...	B10-F: 36	103048...	B10-A: 23	115342...	B10-I: 36	115663...	B10-I: 42		116550...
097257...	B10-F: 36	103049...	B10-A: 18	115343...	B10-I: 36	115664...	B10-F: 42,		117143...
097258...	B10-F: 36	103050...	B10-A: 17	115344...	B10-I: 36		B10-N: 6, B10-F: 35		117148...
						115666...	B10-D: 23		119001...
						115667...	B10-D: 23		B10-G: 10,
						115669...	B10-E: 22,		B10-G: 11
							B10-E: 23,		119002...
							B10-E: 24,		B10-G: 10,
							B10-E: 25		B10-G: 11
						115672-1...	B10-F: 20,		119003...
									B10-G: 10,
									119004...
									B10-G: 10,

Part No.	Page
	B10-G: 11
119005...	B10-G: 10, B10-G: 11
119006...	B10-G: 10, B10-G: 11
119010...	B10-G: 4, B10-G: 5
119012...	B10-G: 4, B10-G: 5
119019...	B10-G: 6, B10-G: 7
119021...	B10-G: 6, B10-G: 7
119025...	B10-G: 6, B10-G: 7
119054...	B10-G: 4, B10-G: 5
119055...	B10-G: 4, B10-G: 5
119058...	B10-G: 10, B10-G: 11
119059...	B10-G: 4, B10-G: 5
119060...	B10-G: 6, B10-G: 7
119061...	B10-G: 6, B10-G: 7
119064...	B10-G: 6, B10-G: 7
119065...	B10-G: 10, B10-G: 11
119066...	B10-G: 10, B10-G: 11
119067...	B10-G: 6, B10-G: 7
119069...	B10-G: 10, B10-G: 11
119094...	B10-G: 4, B10-G: 5
119095...	B10-G: 6, B10-G: 7
119096...	B10-G: 6, B10-G: 7
119097...	B10-G: 6, B10-G: 7
119098...	B10-G: 6, B10-G: 7
126157...	B10-D: 23
130001T003590...	B10-J: 6
130001T003920...	B10-J: 6
130001T004480...	B10-J: 7
130001T004498...	B10-J: 7
130001T004509...	B10-J: 6
130001T007166...	B10-J: 7
130001T011624...	B10-J: 6
130001T013939...	B10-J: 6
130005T003590...	B10-J: 12
130005T003920...	B10-J: 12
130005T004480...	B10-J: 12
130005T004498...	B10-J: 12
130005T011624...	B10-J: 12
130005T013939...	B10-J: 12
132022T003590...	B10-H: 16
132022T003704...	B10-H: 15

Part No.	Page
132022T003920...	B10-H: 16
132022T004480...	B10-H: 13
132022T004498...	B10-H: 13
132022T007166...	B10-H: 17
132022T010299...	B10-H: 15
132022T016960...	B10-H: 8
132022T016962...	B10-H: 8
132066T003704...	B10-H: 15
132066T003920...	B10-H: 16
132066T004480...	B10-H: 13
132066T004498...	B10-H: 13
132066T007166...	B10-H: 17
132066T010299...	B10-H: 15
132066T016960...	B10-H: 8
132066T016962...	B10-H: 8
132076T003704...	B10-H: 15
132076T004480...	B10-H: 13
132076T016962...	B10-H: 8
132088T003704...	B10-H: 15
132088T004480...	B10-H: 13
132088T016962...	B10-H: 8
132142...	B10-N: 2, B10-N: 3
132143...	B10-N: 3
132144...	B10-N: 3
132145...	B10-N: 2, B10-N: 3
132146...	B10-N: 2, B10-N: 3
132174...	B10-N: 2
132191...	B10-N: 3
133113...	B10-N: 2, B10-N: 3
136193...	B10-E: 21
137019...	B10-E: 8, B10-E: 9, B10-E: 20
137026...	B10-B: 22, B10-B: 23
	B10-E: 8, B10-E: 9, B10-E: 20
137027...	B10-E: 8, B10-E: 9, B10-E: 20
140108...	B10-D: 23
140111...	B10-D: 23
140112...	B10-D: 23
140114...	B10-D: 23

Part No.	Page
140116...	B10-D: 23
140117...	B10-D: 23
140118...	B10-D: 23, B10-E: 20
140119...	B10-D: 23
140121...	B10-D: 23
143051...	B10-D: 19
143052...	B10-D: 19
143053...	B10-D: 19
143054...	B10-D: 19
143055...	B10-D: 19
143056...	B10-D: 19
143057...	B10-D: 19
143058...	B10-D: 19
145184...	B10-A: 16, B10-A: 47, B10-A: 69
148001...	B10-D: 7, B10-D: 9, B10-D: 11, B10-D: 16, B10-D: 17
148002...	B10-D: 7, B10-D: 9, B10-D: 11, B10-D: 16, B10-D: 17
148003...	B10-D: 7, B10-D: 9, B10-D: 11, B10-D: 16, B10-D: 17
148004...	B10-D: 7, B10-D: 9, B10-D: 10, B10-D: 11, B10-D: 14, B10-D: 16, B10-D: 17
148005...	B10-D: 7, B10-D: 9, B10-D: 10, B10-D: 11, B10-D: 14, B10-D: 18, B10-D: 22
148006...	B10-D: 7, B10-D: 9, B10-D: 10, B10-D: 11, B10-D: 14, B10-D: 18, B10-D: 20, B10-D: 21, B10-D: 22
148007...	B10-B: 24, B10-D: 8, B10-D: 9, B10-D: 10, B10-D: 13, B10-D: 18, B10-D: 20, B10-D: 21, B10-D: 22
148009...	B10-B: 24, B10-D: 8, B10-D: 9, B10-D: 10, B10-D: 13, B10-D: 18, B10-D: 20, B10-D: 21, B10-D: 22

Part No.	Page
148012...	B10-D: 21
148013...	B10-D: 21
148014...	B10-D: 21
148015...	B10-D: 21
148016...	B10-D: 21
148017...	B10-D: 7, B10-D: 9, B10-D: 11, B10-D: 16, B10-D: 17
148018...	B10-D: 7, B10-D: 9, B10-D: 11, B10-D: 16, B10-D: 17
148021...	B10-D: 6, B10-D: 12
148022...	B10-D: 6, B10-D: 12
148023...	B10-D: 6, B10-D: 12
148024...	B10-D: 6, B10-D: 12
148110...	B10-D: 23
148113...	B10-D: 23
148114...	B10-D: 23
149010...	B10-E: 10
149020...	B10-E: 10
149030...	B10-D: 22
149040...	B10-E: 11
149057...	B10-E: 12
149059...	B10-E: 12
149083...	B10-E: 10
149086...	B10-E: 12
149089...	B10-E: 10
149090...	B10-E: 10
149093...	B10-E: 10
149094...	B10-E: 10
149096...	B10-E: 10
149099...	B10-E: 10
151001...	B10-D: 6, B10-D: 7, B10-D: 11, B10-D: 12
151002...	B10-D: 6, B10-D: 7, B10-D: 11, B10-D: 12
151003...	B10-D: 6, B10-D: 7, B10-D: 11, B10-D: 12
151004...	B10-D: 6, B10-D: 7, B10-D: 11, B10-D: 12
151005...	B10-D: 7, B10-D: 11
151006...	B10-D: 7, B10-D: 11
151007...	B10-D: 8, B10-D: 13
151008...	B10-D: 8, B10-D: 13
151009...	B10-D: 10, B10-D: 14
151010...	B10-D: 10, B10-D: 14
151011...	B10-D: 9

Part No.	Page
151012...	B10-D: 9
151013...	B10-D: 9
151014...	B10-D: 9
151015...	B10-D: 9
151019...	B10-D: 22
151022...	B10-D: 10, B10-D: 14
151023...	B10-D: 6, B10-D: 7
151024...	B10-D: 6, B10-D: 7
151025...	B10-D: 7
151026...	B10-D: 7
151027...	B10-D: 8
151028...	B10-D: 8
151032...	B10-D: 10, B10-D: 14
151034...	B10-D: 14
151035...	B10-D: 10, B10-D: 14
151036...	B10-D: 9
151037...	B10-D: 9
151038...	B10-D: 9
151039...	B10-D: 22
151043...	B10-D: 10, B10-D: 14
151059...	B10-D: 22
151061...	B10-D: 11, B10-D: 12
151062...	B10-D: 11, B10-D: 12
151069...	B10-D: 22
151086...	B10-D: 7, B10-D: 11
151087...	B10-D: 8, B10-D: 13
151088...	B10-D: 8, B10-D: 13
151090...	B10-D: 11
151091...	B10-D: 13
151092...	B10-D: 13
151093...	B10-D: 11, B10-D: 12
151094...	B10-D: 11, B10-D: 12
151095...	B10-D: 11
151096...	B10-D: 11
151097...	B10-D: 13
151098...	B10-D: 13
161002...	B10-I: 6
161003...	B10-I: 6
161004...	B10-I: 6
161005...	B10-I: 6
161006...	B10-I: 6
161016...	B10-I: 5
161024...	B10-I: 2, B10-I: 3
161026...	B10-I: 2, B10-I: 3
161027...	B10-I: 2, B10-I: 3
161028...	B10-I: 2, B10-I: 3
161038...	B10-I: 39, B10-I: 40
161082...	B10-I: 7
161098...	B10-I: 5
161099...	B10-I: 30
162002...	B10-I: 6
162003...	B10-I: 6

Part No.	Page
162004...	B10-I: 6
162011...	B10-I: 5
162015...	B10-I: 2, B10-I: 3
162017...	B10-I: 2, B10-I: 3
162018...	B10-I: 2, B10-I: 3
162019...	B10-I: 2, B10-I: 3
162020...	B10-I: 2, B10-I: 3
162032...	B10-I: 7
162033...	B10-I: 7
162080...	B10-I: 14
162081...	B10-I: 14
162082...	B10-I: 14
162083...	B10-I: 14
162093...	B10-I: 30
162094...	B10-I: 39, B10-I: 40
162095...	B10-I: 30
166103...	B10-I: 9
166104...	B10-I: 9
166105...	B10-I: 9
198051T004480...	B10-E: 19
198054T019539...	B10-E: 18
198081T019539...	B10-E: 18
201065...	B10-E: 11
415164...	B10-N: 6
2	
201003...	B10-D: 16, B10-D: 17
201004...	B10-D: 16, B10-D: 17
201006...	B10-D: 17
201007...	B10-D: 16, B10-D: 17
201008...	B10-D: 16, B10-D: 17
201009...	B10-D: 16, B10-D: 17
201010...	B10-D: 18
201011...	B10-D: 18
201012...	B10-D: 18
201013...	B10-D: 18
201015...	B10-E: 11
201017...	B10-D: 16, B10-D: 17
201018...	B10-D: 16, B10-D: 17
201019...	B10-D: 16, B10-D: 17
201020...	B10-D: 16, B10-D: 17
201021...	B10-D: 18
201022...	B10-D: 18
201023...	B10-D: 18
201024...	B10-D: 18
201025...	B10-E: 11
201057...	B10-D: 16, B10-D: 17
201058...	B10-D: 16, B10-D: 17
201059...	B10-D: 16, B10-D: 17

Part No.	Page
201060...	B10-D: 16
201061...	B10-D: 18
201062...	B10-D: 18
201063...	B10-D: 18
201064...	B10-D: 18
201067...	B10-D: 16, B10-D: 17
201068...	B10-D: 16, B10-D: 17
201071...	B10-D: 18
201073...	B10-D: 18
201074...	B10-D: 18
201075...	B10-E: 11
201077...	B10-D: 17
201082...	B10-D: 15
201083...	B10-D: 15
201087...	B10-D: 15
201088...	B10-D: 15
201089...	B10-D: 15
209022...	B10-I: 36
209023...	B10-I: 36
209024...	B10-I: 36
209025...	B10-I: 36
209026...	B10-I: 36
209027...	B10-I: 36
209028...	B10-I: 36
209043...	B10-E: 15
209044...	B10-I: 8
209045...	B10-I: 8
209054...	B10-I: 14
209055...	B10-I: 14
209056...	B10-I: 14
209057...	B10-I: 14
209058...	B10-I: 14
209059...	B10-I: 14
209060...	B10-E: 15
209080...	B10-I: 7
209081...	B10-I: 7
209082...	B10-I: 5
209083...	B10-I: 5
209088...	B10-I: 4
209089...	B10-I: 4
209090...	B10-I: 4
209091...	B10-I: 4
209098...	B10-I: 8
209099...	B10-I: 8
210020...	B10-B: 4, B10-B: 5, B10-B: 11, B10-B: 17, B10-B: 22, B10-B: 23, B10-E: 8, B10-E: 9
210052...	B10-B: 4, B10-B: 16
210059...	B10-B: 4, B10-B: 10
210062...	B10-B: 4, B10-B: 16
210063...	B10-B: 4, B10-B: 5, B10-B: 11, B10-B: 22, B10-B: 23, B10-E: 8, B10-E: 9
210064...	B10-B: 4, B10-B: 5, B10-B: 11, B10-B: 17,

Part No.	Page
	B10-B: 22, B10-B: 23, B10-E: 8, B10-E: 9
210069...	B10-B: 4, B10-B: 10
211061...	B10-B: 6, B10-B: 12, B10-B: 18, B10-B: 24, B10-E: 20
211063...	B10-B: 6, B10-B: 12, B10-B: 18, B10-B: 24, B10-E: 20
211065...	B10-B: 6, B10-B: 12, B10-B: 18, B10-B: 24, B10-E: 20
214462...	B10-B: 7
215101...	B10-E: 20
215102...	B10-E: 20
215105...	B10-E: 20
215111...	B10-D: 23
215149-1...	B10-F: 21, B10-F: 22, B10-F: 23, B10-F: 24, B10-F: 25, B10-F: 42, B10-F: 20
215150...	B10-A: 56, B10-A: 70, B10-F: 42, B10-N: 6, B10-F: 35
215189...	B10-N: 4
215250...	B10-L: 5
215254...	B10-A: 47
215265...	B10-L: 5
215323...	B10-B: 7, B10-B: 13
215338...	B10-B: 7, B10-B: 13, B10-B: 19
215343...	B10-L: 5
215346...	B10-D: 23
215374...	B10-D: 23
215375...	B10-N: 2, B10-N: 3
215376...	B10-N: 3
215377...	B10-A: 70
215377-1...	B10-F: 14, B10-F: 15, B10-F: 42
215392-1...	B10-F: 38, B10-F: 39, B10-F: 40, B10-F: 42
215431...	B10-L: 5
215461...	B10-L: 5
215462...	B10-B: 7, B10-B: 13, B10-B: 19, B10-E: 21
215467...	B10-L: 5

Part No.	Page
215470...	B10-N: 2
215472...	B10-A: 70, B10-L: 5, B10-N: 6
215473...	B10-A: 56, B10-L: 5, B10-N: 6
215483...	B10-A: 16, B10-B: 25, B10-E: 21
215501...	B10-C: 5
215509...	B10-E: 25
215527...	B10-I: 10
215608...	B10-I: 36
215609...	B10-I: 36
215610...	B10-I: 36
215611...	B10-I: 36
215612...	B10-I: 36
215634...	B10-L: 5
215638...	B10-N: 6
215639...	B10-N: 6
215674...	B10-A: 70
215701...	B10-I: 36
215702...	B10-I: 36
215703...	B10-I: 36
215704...	B10-I: 36
215705...	B10-I: 36
215742...	B10-L: 5
215849...	B10-I: 10
215863...	B10-I: 10
215865...	B10-I: 10
215915-1...	B10-F: 42
215922...	B10-I: 31
215924...	B10-I: 31
215925...	B10-I: 31
215926...	B10-I: 31
215927...	B10-I: 42
215929...	B10-I: 42
215930...	B10-I: 42
215931...	B10-I: 42
215985-1...	B10-F: 42
218012...	B10-A: 8
218014...	B10-A: 8
218029...	B10-A: 9, B10-A: 41
218030...	B10-A: 9, B10-A: 41
218031...	B10-A: 9, B10-A: 41
218032...	B10-A: 9, B10-A: 41
218033...	B10-A: 9, B10-A: 41
218034...	B10-A: 9, B10-A: 41
218037...	B10-A: 9, B10-A: 41
218038...	B10-A: 9, B10-A: 41
218039...	B10-A: 9, B10-A: 41
218040...	B10-A: 9, B10-A: 41
218041...	B10-A: 9, B10-A: 41

Part No.	Page
218042...	B10-A: 9, B10-A: 41
218043...	B10-A: 9, B10-A: 41
218044...	B10-A: 9, B10-A: 41
218045...	B10-A: 9, B10-A: 41
218046...	B10-A: 9, B10-A: 41
218047...	B10-A: 8
218048...	B10-A: 8
218049...	B10-A: 8
218050...	B10-A: 8
218051...	B10-A: 8
218052...	B10-A: 8
218053...	B10-A: 8
218058...	B10-A: 8
218059...	B10-A: 8
218060...	B10-A: 8
218061...	B10-A: 8
218062...	B10-A: 8
218063...	B10-A: 8
218064...	B10-A: 8
218071...	B10-A: 8
218072...	B10-A: 9, B10-A: 40
218074...	B10-A: 30
218075...	B10-A: 30
218076...	B10-A: 30
218077...	B10-A: 30
218079...	B10-A: 30
218080...	B10-A: 30
218081...	B10-A: 30
218082...	B10-A: 30
218083...	B10-A: 30
218084...	B10-A: 30
218088...	B10-J: 4
218089...	B10-J: 8, B10-J: 10
219030...	B10-G: 4, B10-G: 5
219031...	B10-G: 6, B10-G: 7
219032...	B10-G: 4, B10-G: 5
219033...	B10-G: 6, B10-G: 7
219034...	B10-G: 4, B10-G: 5
219035...	B10-G: 4, B10-G: 5
219036...	B10-G: 4, B10-G: 5
219037...	B10-G: 4, B10-G: 5
219038...	B10-G: 4, B10-G: 5
219039...	B10-G: 4, B10-G: 5
219040...	B10-G: 4, B10-G: 5
219041...	B10-G: 4, B10-G: 5
219042...	B10-G: 6, B10-G: 7
219043...	B10-G: 10, B10-G: 11
219044...	B10-G: 10, B10-G: 11
219051...	B10-G: 4, B10-G: 5
219052...	B10-G: 4, B10-G: 5
219053...	B10-G: 6, B10-G: 7
219054...	B10-G: 6, B10-G: 7
219055...	B10-G: 9
219056...	B10-G: 9
219057...	B10-G: 9

Part No.	Page
219058...	B10-G: 9
219059...	B10-G: 9
219060...	B10-G: 9
219061...	B10-G: 10, B10-G: 11
219062...	B10-G: 10, B10-G: 11
219063...	B10-G: 10, B10-G: 11
219066...	B10-G: 6, B10-G: 7
219068...	B10-G: 10, B10-G: 11
219070...	B10-I: 12
219071...	B10-I: 12
219072...	B10-I: 12
219073...	B10-I: 12
219074...	B10-I: 12
219075...	B10-I: 12
219076...	B10-I: 12
219077...	B10-I: 12
219082...	B10-G: 10, B10-G: 11
219083...	B10-G: 10, B10-G: 11
219084...	B10-G: 10, B10-G: 11
219085...	B10-G: 4, B10-G: 5
219086...	B10-G: 4, B10-G: 5
219087...	B10-G: 4, B10-G: 5
219088...	B10-G: 4, B10-G: 5
219089...	B10-G: 6, B10-G: 7
219090...	B10-G: 6, B10-G: 7
219091...	B10-G: 6, B10-G: 7
219092...	B10-G: 6, B10-G: 7
219093...	B10-G: 9
219094...	B10-G: 10, B10-G: 11
219095...	B10-G: 10, B10-G: 11
219096...	B10-G: 10, B10-G: 11
219097...	B10-G: 10, B10-G: 11
219168...	B10-A: 31
219169...	B10-A: 31
219170...	B10-I: 12
219171...	B10-I: 12
219172...	B10-I: 12
219173...	B10-I: 12
219174...	B10-I: 12
219175...	B10-I: 12
219176...	B10-A: 31
219177...	B10-A: 31
219185...	B10-A: 31
226009...	B10-D: 20
226010...	B10-D: 20
226011...	B10-D: 20
226012...	B10-D: 20
226013...	B10-D: 20
226029...	B10-E: 13
227001...	B10-H: 5
227002...	B10-H: 5
227003...	B10-H: 5

Part No.	Page
227004...	B10-H: 5
227005...	B10-H: 5
227006...	B10-H: 5
227007...	B10-H: 5
227008...	B10-H: 5
227009...	B10-H: 5
227010...	B10-H: 5
227011...	B10-H: 5
227012...	B10-H: 5
227014...	B10-H: 5
228003...	B10-I: 5
228004...	B10-I: 5
228006...	B10-I: 5
228007...	B10-I: 5
228014...	B10-I: 2, B10-I: 3
228020...	B10-I: 5
228021...	B10-I: 5
228022...	B10-I: 2, B10-I: 3
228023...	B10-I: 2, B10-I: 3
228024...	B10-I: 2, B10-I: 3
228025...	B10-I: 2, B10-I: 3
228026...	B10-I: 2, B10-I: 3
231005...	B10-I: 8
231006...	B10-I: 8
231007...	B10-I: 8
233001...	B10-I: 39
233002...	B10-I: 39
233003...	B10-I: 39
233004...	B10-I: 39
233005...	B10-I: 39
233006...	B10-I: 39
233007...	B10-I: 39
233008...	B10-I: 39
233009...	B10-I: 39
233020...	B10-I: 40
233021...	B10-I: 40
233022...	B10-I: 40
233023...	B10-I: 40
233024...	B10-I: 40
233025...	B10-I: 40
233026...	B10-I: 40
233027...	B10-I: 40
233028...	B10-I: 40
233040...	B10-I: 41
233041...	B10-I: 41
233042...	B10-I: 41
233043...	B10-I: 41
233044...	B10-I: 41
233045...	B10-I: 41
233046...	B10-I: 41
233047...	B10-I: 41
233048...	B10-I: 41
233070...	B10-I: 38
233071...	B10-I: 38
233072...	B10-I: 38
233073...	B10-I: 38
233074...	B10-I: 38
233075...	B10-I: 38
233076...	B10-I: 38
233077...	B10-I: 38
235001...	B10-D: 5
235002...	B10-D: 5
235003...	B10-D: 5

Part No.	Page
235011...	B10-D: 5
235012...	B10-D: 5
235013...	B10-D: 5
235021...	B10-D: 5
235022...	B10-D: 5
235023...	B10-D: 5
235031...	B10-D: 5
235032...	B10-D: 5
235033...	B10-D: 5
236020...	B10-A: 13, B10-A: 16
236021...	B10-A: 11
236022...	B10-A: 11
236023...	B10-A: 11
236024...	B10-A: 11
236025...	B10-A: 11
236026...	B10-A: 13
236027...	B10-A: 13
236028...	B10-A: 13
236029...	B10-A: 13
236031...	B10-A: 11
236071...	B10-A: 7, B10-A: 39
236081...	B10-A: 14, B10-A: 45, B10-A: 67
236082...	B10-A: 14, B10-A: 45, B10-A: 67
236083...	B10-A: 14, B10-A: 45, B10-A: 67
236084...	B10-A: 14, B10-A: 45, B10-A: 67
236088...	B10-A: 14, B10-A: 16, B10-A: 45, B10-A: 47, B10-A: 67
236120...	B10-A: 16, B10-A: 47
245011...	B10-H: 3, B10-H: 4
245012...	B10-H: 3, B10-H: 4
245013...	B10-H: 3, B10-H: 4
245014...	B10-H: 3, B10-H: 4
245016...	B10-H: 3, B10-H: 4
246004...	B10-H: 3, B10-H: 4
246009...	B10-H: 3, B10-H: 4
246010...	B10-H: 3, B10-H: 4
246012...	B10-H: 3, B10-H: 4
246013...	B10-H: 3, B10-H: 4
246014...	B10-H: 3, B10-H: 4
246015...	B10-H: 3, B10-H: 4
246016...	B10-H: 3, B10-H: 4
246017...	B10-H: 3, B10-H: 4
246018...	B10-H: 3, B10-H: 4
246019...	B10-H: 3, B10-H: 4

Part No.	Page
246020...	B10-H: 3, B10-H: 4
246021...	B10-H: 3, B10-H: 4
246022...	B10-H: 3, B10-H: 4
246023...	B10-H: 3, B10-H: 4
248001...	B10-A: 28
248002...	B10-A: 28
248003...	B10-A: 28
248051...	B10-A: 28
248052...	B10-A: 28
248053...	B10-A: 28
248054...	B10-A: 28
248055...	B10-A: 28
248056...	B10-A: 28
248063...	B10-A: 30
248064...	B10-A: 30
248065...	B10-A: 30
248071...	B10-A: 29
248136...	B10-A: 33
248137...	B10-A: 33
248138...	B10-A: 33
248142...	B10-A: 33
248143...	B10-A: 33
248144...	B10-A: 33
248145...	B10-A: 33
248147...	B10-A: 32
248148...	B10-A: 32
248149...	B10-A: 32
249001...	B10-A: 28
249002...	B10-A: 28
249003...	B10-A: 28
251001...	B10-D: 21
251002...	B10-D: 21
251003...	B10-D: 21
251004...	B10-D: 21
251005...	B10-D: 21
251006...	B10-D: 21
251007...	B10-D: 21
251008...	B10-D: 21
251009...	B10-D: 21
251010...	B10-E: 11
251011...	B10-E: 11
252090...	B10-H: 3, B10-H: 4
252091...	B10-H: 3, B10-H: 4
258021...	B10-E: 16
258061...	B10-E: 16
258098...	B10-E: 16
259079...	B10-H: 10
259080...	B10-H: 10
259081...	B10-H: 12
259082...	B10-H: 12
259084...	B10-H: 15
264051...	B10-B: 10
264077...	B10-B: 10
268009...	B10-D: 14
268010...	B10-D: 14
268011...	B10-M: 3
268012...	B10-M: 3
268013...	B10-M: 3
268014...	B10-M: 3
268015...	B10-M: 3
268017...	B10-M: 3
268018...	B10-M: 3
268019...	B10-D: 14

Part No.	Page
268020...	B10-D: 14
268021...	B10-D: 14
268022...	B10-D: 14
268023...	B10-D: 14
271008...	B10-I: 37
271018...	B10-I: 37
271049...	B10-I: 37
271050...	B10-I: 37
271051...	B10-I: 37
271052...	B10-I: 37
271067...	B10-I: 37
271068...	B10-I: 37
271069...	B10-I: 37
271070...	B10-I: 37
271071...	B10-I: 37
271072...	B10-I: 37
271073...	B10-I: 37
271074...	B10-I: 37
271075...	B10-I: 37
271128...	B10-I: 24
271129...	B10-I: 24
271130...	B10-I: 24
271131...	B10-I: 24
271132...	B10-I: 23
271133...	B10-I: 23
271134...	B10-I: 23
271135...	B10-I: 23
271136...	B10-I: 23
271137...	B10-I: 23
271190...	B10-I: 11
271191...	B10-I: 11
271192...	B10-I: 11
271193...	B10-I: 11
271194...	B10-I: 11
271195...	B10-I: 11
271196...	B10-I: 11
271197...	B10-I: 11
271198...	B10-I: 11
271199...	B10-I: 11
271200...	B10-I: 11
271201...	B10-I: 11
271202...	B10-I: 11
271203...	B10-I: 11
271204...	B10-I: 11
271205...	B10-I: 11
271206...	B10-I: 11
271207...	B10-I: 11
271208...	B10-I: 11
271209...	B10-I: 11
271210...	B10-I: 11
271211...	B10-I: 11
275001...	B10-I: 30
275003...	B10-I: 30
275010...	B10-I: 32, B10-I: 33
275011...	B10-I: 32, B10-I: 33
275012...	B10-I: 32, B10-I: 33
275013...	B10-I: 32, B10-I: 33
275014...	B10-I: 32, B10-I: 33
275015...	B10-I: 32, B10-I: 33
275016...	B10-I: 32, B10-I: 33
275017...	B10-I: 32, B10-I: 33
275018...	B10-I: 32, B10-I: 33
275019...	B10-I: 32, B10-I: 33

Part No.	Page
297725...	B10-F: 20
297780...	B10-F: 17
297782...	B10-F: 17
297787...	B10-F: 25
297788...	B10-F: 25
297790...	B10-F: 25
297833...	B10-F: 20
297845...	B10-F: 17
297870...	B10-F: 24
297871...	B10-F: 24
297872...	B10-F: 24
297878...	B10-F: 22
297891...	B10-F: 20
297900...	B10-F: 32
297937...	B10-F: 37
297938...	B10-F: 37
297939...	B10-F: 37
297940...	B10-F: 37
297941...	B10-F: 37
297942...	B10-F: 37
297943...	B10-F: 37
297944...	B10-F: 37
297945...	B10-F: 37
297946...	B10-F: 37
297947...	B10-F: 37
297958...	B10-F: 22
297969...	B10-F: 39
297970...	B10-F: 39
297971...	B10-F: 39
297972...	B10-F: 39
297973...	B10-F: 39
297974...	B10-F: 39
297975...	B10-F: 39
297976...	B10-F: 40
297977...	B10-F: 40
297978...	B10-F: 40
297979...	B10-F: 40
297980...	B10-F: 21
297993...	B10-F: 18
297994...	B10-F: 21
297995...	B10-F: 21
297996...	B10-F: 34
297997...	B10-F: 34
299001...	B10-H: 2
299002...	B10-H: 2
299003...	B10-H: 2
299004...	B10-H: 2
299005...	B10-H: 2
299006...	B10-H: 2
299007...	B10-H: 2
299008...	B10-H: 2
299009...	B10-H: 2
397164...	B10-F: 23
3	
309001...	B10-E: 15
309041...	B10-E: 15
309043...	B10-E: 15
310001...	B10-B: 4
310003...	B10-B: 4
310004...	B10-B: 4
310005...	B10-B: 4
310006...	B10-B: 4
310007...	B10-B: 5

Part No.	Page
310008...	B10-B: 5
310009...	B10-B: 5
310010...	B10-B: 4
310020...	B10-B: 4
310070...	B10-B: 6
310071...	B10-B: 6
310074...	B10-B: 6
310075...	B10-B: 6
315015...	B10-I: 31
315016...	B10-I: 31
315017...	B10-I: 31
315018...	B10-I: 31
315155...	B10-A: 16, B10-A: 47
315156...	B10-A: 16, B10-A: 47
315186...	B10-N: 4, B10-E: 22, B10-E: 25, B10-E: 25
315248...	B10-A: 69
315265...	B10-N: 6
315278...	B10-B: 13
315279...	B10-B: 7
315320...	B10-F: 41, B10-F: 42
315321-1...	B10-F: 41, B10-F: 42
315322...	B10-N: 6, B10-F: 42, B10-F: 41
315323...	B10-F: 19, B10-F: 42
315324-1...	B10-F: 19, B10-F: 42
315403...	B10-E: 25
315415...	B10-E: 25
315476...	B10-L: 5
315629...	B10-A: 34
315631...	B10-A: 34
315637...	B10-I: 42
315684...	B10-A: 34
315687...	B10-A: 34
315689...	B10-I: 42, B10-N: 6
315690...	B10-N: 6
315691...	B10-I: 42, B10-N: 6
315801...	B10-A: 34
315943...	B10-B: 19
319002...	B10-G: 12
319003...	B10-G: 12
319004...	B10-G: 12
319005...	B10-G: 12
319006...	B10-G: 12
319007...	B10-G: 12
319008...	B10-G: 12
319009...	B10-G: 12
319010...	B10-A: 7, B10-A: 39
319013...	B10-G: 8
319016...	B10-G: 12
319017...	B10-G: 12
319018...	B10-G: 12
319019...	B10-G: 12

Part No.	Page
319021...	B10-G: 12
319022...	B10-G: 12
319023...	B10-G: 12
320001...	B10-B: 4
320003...	B10-B: 4
320004...	B10-B: 4
320005...	B10-B: 4
320006...	B10-B: 4
320007...	B10-B: 5
320008...	B10-B: 5
320009...	B10-B: 5
320010...	B10-B: 4
320020...	B10-B: 4
326035...	B10-E: 19
326062...	B10-E: 18
326080...	B10-E: 18
326081...	B10-E: 18
326082...	B10-E: 18
326083...	B10-E: 17
326084...	B10-E: 18
327001...	B10-H: 10
327002...	B10-H: 10
327003...	B10-H: 10
327004...	B10-H: 10
327005...	B10-H: 10
327006...	B10-H: 10
327007...	B10-H: 10
327010...	B10-H: 10
327011...	B10-H: 10
327012...	B10-H: 12
327013...	B10-H: 12
327016...	B10-H: 12
327017...	B10-H: 10
327018...	B10-H: 10
327019...	B10-H: 12
327020...	B10-H: 12
327021...	B10-H: 12
327022...	B10-H: 12
327023...	B10-H: 12
327024...	B10-H: 12
327025...	B10-H: 10
327026...	B10-H: 10
327027...	B10-H: 10
327028...	B10-H: 10
327033...	B10-H: 10
327034...	B10-H: 10
337105...	B10-E: 20
345001...	B10-L: 2
345002...	B10-L: 2
345003...	B10-L: 2
345004...	B10-L: 2
345005...	B10-L: 2
345006...	B10-L: 2
345007...	B10-L: 2
345008...	B10-L: 2
345009...	B10-L: 2
345010...	B10-L: 2
345011...	B10-L: 2
345012...	B10-L: 2
345013...	B10-L: 2
345014...	B10-L: 2
345015...	B10-L: 3
345016...	B10-L: 3

Part No.	Page
345017...	B10-L: 3
345018...	B10-L: 3
345019...	B10-L: 3
345020...	B10-L: 4
345022...	B10-L: 4
345023...	B10-L: 4
345025...	B10-L: 4
345201...	B10-L: 5
345202...	B10-L: 5
345203...	B10-L: 5
345204...	B10-L: 5
345208...	B10-L: 5
345211...	B10-L: 5
345213...	B10-L: 5
345215...	B10-L: 5
345216...	B10-L: 5
345218...	B10-L: 5
345220...	B10-L: 5
345221...	B10-L: 5
345222...	B10-L: 5
345223...	B10-L: 5
345224...	B10-L: 5
345225...	B10-L: 5
348007...	B10-D: 14
348009...	B10-D: 20
349005...	B10-E: 6
349006...	B10-E: 6
349009...	B10-D: 14
349010...	B10-E: 22
349011...	B10-E: 22
349012...	B10-E: 22
349013...	B10-E: 22
349014...	B10-E: 6
349015...	B10-E: 6
349016...	B10-E: 23
349017...	B10-E: 23
349021...	B10-E: 4
349022...	B10-E: 4
349023...	B10-E: 4
349024...	B10-E: 4
349031...	B10-E: 7
349032...	B10-E: 7
349033...	B10-E: 7
349034...	B10-E: 7
349035...	B10-E: 7
349036...	B10-E: 7
349037...	B10-E: 7
349038...	B10-E: 7
349043...	B10-E: 25
349046...	B10-E: 14
349051...	B10-E: 5
349052...	B10-E: 5
349053...	B10-E: 5
349054...	B10-E: 5
349201...	B10-E: 25
349202...	B10-E: 25
350005...	B10-E: 6
350006...	B10-E: 6
350014...	B10-E: 6
350015...	B10-E: 6
350021...	B10-E: 4
350022...	B10-E: 4
350023...	B10-E: 4

Part No.	Page
350024...	B10-E: 4
350031...	B10-E: 7
350032...	B10-E: 7
350033...	B10-E: 7
350034...	B10-E: 7
350035...	B10-E: 7
350036...	B10-E: 7
350037...	B10-E: 7
350038...	B10-E: 7
350051...	B10-E: 5
350052...	B10-E: 5
350053...	B10-E: 5
350054...	B10-E: 5
353001...	B10-H: 7
353002...	B10-H: 7
353003...	B10-H: 7
353004...	B10-H: 7
353005...	B10-H: 7
353006...	B10-H: 7
353007...	B10-H: 7
353008...	B10-H: 7
353009...	B10-H: 7
353010...	B10-H: 7
353011...	B10-H: 7
353012...	B10-H: 7
353013...	B10-H: 7
353014...	B10-H: 7
353015...	B10-H: 7
353016...	B10-H: 7
353017...	B10-H: 7
353018...	B10-H: 7
353019...	B10-H: 7
353020...	B10-H: 7
353021...	B10-H: 7
353022...	B10-H: 7
353023...	B10-H: 7
353024...	B10-H: 7
353025...	B10-H: 7
353060...	B10-H: 6
353061...	B10-H: 6
353062...	B10-H: 6
353063...	B10-H: 6
353064...	B10-H: 9
353065...	B10-H: 9
353066...	B10-H: 9
353067...	B10-H: 9
353068...	B10-H: 9
353069...	B10-H: 9
353070...	B10-H: 11
353071...	B10-H: 11
353072...	B10-H: 11
353073...	B10-H: 11
353074...	B10-H: 11
353075...	B10-H: 11
353076...	B10-H: 6
353077...	B10-H: 6
353078...	B10-H: 6
353079...	B10-H: 6
353080...	B10-H: 6
353081...	B10-H: 6
353082...	B10-H: 6
357001...	B10-E: 17
357002...	B10-E: 17

Part No.	Page
357003...	B10-E: 17
357004...	B10-E: 17
358015...	B10-E: 16
364030...	, B10-B: 10
364031...	, B10-B: 10
364032...	, B10-B: 10
364033...	, B10-B: 10
364034...	B10-B: 9
364045...	B10-B: 9
364046...	B10-B: 9
364047...	B10-B: 9
364048...	B10-B: 9
364049...	B10-B: 9
364077...	B10-B: 10
365030...	, B10-B: 10
365031...	, B10-B: 10
365032...	, B10-B: 10
365034...	, B10-B: 10
365034...	B10-B: 9
365045...	B10-B: 9
365046...	B10-B: 9
365047...	B10-B: 9
365048...	B10-B: 9
365049...	B10-B: 9
387112...	B10-I: 13
387113...	B10-I: 13
387114...	B10-I: 13
387115...	B10-I: 13
387116...	B10-I: 13
397110...	B10-F: 34
397118...	B10-F: 20
397133...	B10-F: 17
397146...	B10-F: 17
397165...	B10-F: 23
397166...	B10-F: 23
397167...	B10-F: 23
397168...	B10-F: 23
397179...	B10-F: 32
397191...	B10-F: 23
397192...	B10-F: 17
397207...	B10-F: 24
397235...	B10-F: 28
397237...	B10-F: 15
397242...	B10-F: 24
397244...	B10-F: 24
397245...	B10-F: 24
397246...	B10-F: 24
397249...	B10-F: 24
397250...	B10-F: 24
397251...	B10-F: 24
397252...	B10-F: 24
397257...	B10-F: 24
397260...	B10-F: 25
397261...	B10-F: 25
397262...	B10-F: 27
397270...	B10-F: 29
397271...	B10-F: 29
397272...	B10-F: 29
397273...	B10-F: 29
397274...	B10-F: 29
397276...	B10-F: 31
397277...	B10-F: 31
397278...	B10-F: 33

Part No.	Page
397279...	B10-F: 33
397280...	B10-F: 33
397281...	B10-F: 33
397282...	B10-F: 33
397283...	B10-F: 33
397284...	B10-F: 33
397285...	B10-F: 33
397286...	B10-F: 33
397287...	B10-F: 33
397301...	B10-F: 17
397352...	B10-F: 20
397354...	B10-F: 20
397355...	B10-F: 20
397356...	B10-F: 20
397357...	B10-F: 20
397407...	B10-F: 33
397439...	B10-F: 25
397585...	B10-F: 23
397586...	B10-F: 23
397587...	B10-F: 23
397588...	B10-F: 23
397589...	B10-F: 23
397590...	B10-F: 34
397593...	B10-F: 35
397594...	B10-F: 35
397595...	B10-F: 35
397604...	B10-F: 24
397605...	B10-F: 24
397608...	B10-F: 26
397610...	B10-F: 17
397611...	B10-F: 32
397614...	B10-F: 22
397627...	B10-F: 32
397628...	B10-F: 32
397632...	B10-F: 22
397640...	B10-F: 34
397654...	B10-F: 18
397662...	B10-F: 21
397663...	B10-F: 18
397666...	B10-F: 22
397672...	B10-F: 16
397673...	B10-F: 16
397674...	B10-F: 16
397675...	B10-F: 14
397676...	B10-F: 14
397683...	B10-F: 26
397688...	B10-F: 16
397689...	B10-F: 16
397702...	B10-F: 23
397703...	B10-F: 34
397704...	B10-F: 34
397705...	B10-F: 34
397709...	B10-F: 34
397710...	B10-F: 34
397737...	B10-F: 21
397738...	B10-F: 21
397739...	B10-F: 21
397740...	B10-F: 21
397741...	B10-F: 34
397742...	B10-F: 21
397746...	B10-F: 30
397747...	B10-F: 30
397748...	B10-F: 30

Part No.	Page
397749...	B10-F: 30
397750...	B10-F: 30
397756...	B10-F: 26
397757...	B10-F: 26
397758...	B10-F: 26
397759...	B10-F: 26
397763...	B10-F: 15
397764...	B10-F: 16
397765...	B10-F: 20
397766...	B10-F: 22
397767...	B10-F: 22
397768...	B10-F: 22
397769...	B10-F: 18
397770...	B10-F: 18
397771...	B10-F: 18
397772...	B10-F: 18
397777...	B10-F: 26
397778...	B10-F: 26
397779...	B10-F: 30
397780...	B10-F: 32
397781...	B10-F: 32
397782...	B10-F: 32
397783...	B10-F: 28
397784...	B10-F: 28
397785...	B10-F: 28
397786...	B10-F: 28
397787...	B10-F: 28
397788...	B10-F: 28
397799...	B10-F: 26
397800...	B10-F: 26
397801...	B10-F: 26
397802...	B10-F: 26
397803...	B10-F: 26
397804...	B10-F: 30
397805...	B10-F: 30
397806...	B10-F: 30
397807...	B10-F: 32
397808...	B10-F: 32
397809...	B10-F: 28
397810...	B10-F: 28
397811...	B10-F: 32
397812...	B10-F: 32
397813...	B10-F: 32
397814...	B10-F: 32
397815...	B10-F: 32
397816...	B10-F: 28
397817...	B10-F: 28
397818...	B10-F: 33
397840...	B10-F: 31
397841...	B10-F: 31
397842...	B10-F: 27
397843...	B10-F: 27
397844...	B10-F: 35
397849...	B10-F: 27
397850...	B10-F: 38
397851...	B10-F: 38
397852...	B10-F: 38
397853...	B10-F: 38
397854...	B10-F: 38
4	
401003...	B10-C: 4, B10-C: 5
401004...	B10-C: 4, B10-C: 5
401005...	B10-C: 4, B10-C: 5

Part No.	Page
401006...	B10-C: 4, B10-C: 5
401007...	B10-C: 4, B10-C: 5
401008...	B10-C: 4, B10-C: 5
401009...	B10-C: 4, B10-C: 5
401010...	B10-C: 4, B10-C: 5
401011...	B10-C: 4, B10-C: 5
401203...	B10-C: 5
401204...	B10-C: 5
401205...	B10-C: 5
401206...	B10-C: 5
401207...	B10-C: 5
401208...	B10-C: 5
401209...	B10-C: 5
401210...	B10-C: 5
401223...	B10-C: 5
401224...	B10-C: 5
401225...	B10-C: 5
401226...	B10-C: 5
401230...	B10-C: 5
401323...	B10-C: 5
401324...	B10-C: 5
401327...	B10-C: 5
401329...	B10-C: 5
402001...	B10-C: 4
402005...	B10-C: 4
402011...	B10-C: 4
402013...	B10-C: 4
402017...	B10-C: 4
402019...	B10-C: 4
402021...	B10-C: 4
402025...	B10-C: 4
402029...	B10-C: 4
402227...	B10-C: 5
404003...	B10-C: 4
404004...	B10-C: 4
404005...	B10-C: 4
404006...	B10-C: 4
404007...	B10-C: 4
404008...	B10-C: 4
404009...	B10-C: 4
404010...	B10-C: 4
404011...	B10-C: 4
415111...	B10-D: 23
415112...	B10-A: 69, B10-D: 23
415113...	B10-D: 23
415121...	B10-N: 6
415164...	B10-L: 5
415165...	B10-L: 5, B10-N: 6
415181...	B10-E: 24, B10-E: 25
415244...	B10-A: 16, B10-A: 34, B10-A: 47, B10-A: 69
415280...	B10-L: 5
415283...	B10-N: 5
415284...	B10-N: 5
415285...	B10-N: 5
415286...	B10-N: 5
415287...	B10-N: 5
415298-1...	B10-L: 5
415299...	B10-L: 5

Part No.	Page
415320-1...	B10-F: 42
415334...	B10-N: 2, B10-N: 3
415335...	B10-N: 3
415336...	B10-N: 2, B10-N: 3
415337...	B10-N: 2
415341...	B10-N: 5
415342...	B10-B: 6
415353...	B10-A: 70
415357...	B10-I: 30
415358...	B10-I: 30
415359...	B10-I: 30
415360...	B10-B: 6
415373...	B10-I: 42
415374...	B10-I: 42
415375...	B10-I: 42
415386...	B10-A: 69
415507...	B10-A: 56, B10-A: 70, B10-N: 6, B10-F: 14, B10-F: 42, B10-F: 15
415508...	B10-A: 56, B10-A: 70, B10-N: 6, B10-F: 16, B10-F: 42, B10-F: 17
415510...	B10-N: 6, B10-F: 42, B10-F: 35
415514...	B10-A: 56, B10-A: 70, B10-N: 6, B10-F: 21, B10-F: 22, B10-F: 23, B10-F: 24, B10-F: 25, B10-F: 42, B10-F: 20
415543...	B10-N: 6, B10-F: 21, B10-F: 22, B10-F: 23, B10-F: 35, B10-F: 42, B10-F: 20
415562...	B10-I: 10
415563...	B10-I: 10
415573...	B10-N: 5
415577...	B10-A: 56, B10-I: 13, B10-L: 5, B10-N: 6
415578...	B10-A: 56, B10-N: 6
415579...	B10-N: 6
415580...	B10-N: 6
415611...	B10-N: 6
415636...	B10-E: 25
415761...	B10-N: 6
415895...	B10-A: 56, B10-A: 70

Part No.	Page
	<i>B10-B: 19</i>
415896...	<i>B10-A: 56,</i> <i>B10-A: 70,</i> <i>B10-B: 19</i>
415898...	<i>B10-E: 25</i>
415900...	<i>B10-E: 20</i>
415913...	<i>B10-E: 25</i>
415949-1...	<i>B10-F: 42,</i> <i>B10-F: 35</i>
415977-1...	<i>B10-F: 42,</i> <i>B10-F: 35</i>
415985...	<i>B10-E: 21</i>
450001...	<i>B10-A: 38</i>
450021...	<i>B10-A: 42</i>
450022...	<i>B10-A: 42</i>
450023...	<i>B10-A: 42,</i> <i>B10-A: 43</i>
450024...	<i>B10-A: 43</i>
450026...	<i>B10-A: 40</i>
450027...	<i>B10-A: 40</i>
450028...	<i>B10-A: 40</i>
450038...	<i>B10-A: 40</i>
450039...	<i>B10-A: 40</i>
450040...	<i>B10-A: 42</i>
450041...	<i>B10-A: 42,</i> <i>B10-A: 43</i>
450125...	<i>B10-A: 43</i>
450129...	<i>B10-A: 6</i>
450137...	<i>B10-A: 12,</i> <i>B10-A: 15,</i> <i>B10-A: 16,</i> <i>B10-A: 44,</i> <i>B10-A: 46</i>
450142...	<i>B10-A: 16</i>
450143...	<i>B10-A: 16</i>
450144...	<i>B10-A: 16</i>
450145...	<i>B10-A: 16</i>
450146...	<i>B10-A: 16</i>
451001...	<i>B10-A: 38</i>
464035...	<i>B10-B: 9, B10-B: 10</i>
464036...	<i>B10-B: 9, B10-B: 11</i>
464037...	<i>B10-B: 9, B10-B: 11</i>
464038...	<i>B10-B: 9, B10-B: 11</i>
464039...	<i>B10-B: 9, B10-B: 11</i>
464040...	<i>B10-B: 9, B10-B: 11</i>
465035...	<i>B10-B: 9, B10-B: 10</i>
465036...	<i>B10-B: 9, B10-B: 11</i>
465037...	<i>B10-B: 9, B10-B: 11</i>
465038...	<i>B10-B: 9, B10-B: 11</i>
465039...	<i>B10-B: 9, B10-B: 11</i>
465040...	<i>B10-B: 9, B10-B: 11</i>
5	
501001...	<i>B10-A: 60</i>
501004...	<i>B10-A: 60</i>
501005...	<i>B10-A: 60</i>
501016...	<i>B10-A: 56,</i> <i>B10-A: 70,</i> <i>B10-B: 19</i>
501019...	<i>B10-A: 60</i>
501050...	<i>B10-A: 61</i>
501051...	<i>B10-A: 61</i>
501052...	<i>B10-A: 65</i>
501053...	<i>B10-A: 65</i>

Part No.	Page
501054...	<i>B10-A: 12,</i> <i>B10-A: 44,</i> <i>B10-A: 66</i>
501055...	<i>B10-A: 12,</i> <i>B10-A: 44,</i> <i>B10-A: 66</i>
501056...	<i>B10-A: 12,</i> <i>B10-A: 44,</i> <i>B10-A: 66</i>
501058...	<i>B10-A: 44,</i> <i>B10-A: 66</i>
501059...	<i>B10-A: 44,</i> <i>B10-A: 66</i>
501060...	<i>B10-A: 65</i>
501061...	<i>B10-A: 65</i>
501064...	<i>B10-A: 15,</i> <i>B10-A: 46,</i> <i>B10-A: 68</i>
501065...	<i>B10-A: 15,</i> <i>B10-A: 46,</i> <i>B10-A: 68</i>
501066...	<i>B10-A: 15,</i> <i>B10-A: 46,</i> <i>B10-A: 68</i>
501067...	<i>B10-A: 46,</i> <i>B10-A: 68</i>
501157...	<i>B10-A: 66,</i> <i>B10-A: 68</i>
502001...	<i>B10-A: 62</i>
502002...	<i>B10-A: 62</i>
502003...	<i>B10-A: 62</i>
502004...	<i>B10-A: 62</i>
502005...	<i>B10-A: 62</i>
502012...	<i>B10-A: 62</i>
502013...	<i>B10-A: 62</i>
502014...	<i>B10-A: 62</i>
502015...	<i>B10-A: 62</i>
502016...	<i>B10-A: 62</i>
502023...	<i>B10-A: 63</i>
502024...	<i>B10-A: 63</i>
502025...	<i>B10-A: 63</i>
502026...	<i>B10-A: 63</i>
502027...	<i>B10-A: 63</i>
502034...	<i>B10-A: 63</i>
502035...	<i>B10-A: 63</i>
502036...	<i>B10-A: 63</i>
502037...	<i>B10-A: 63</i>
502038...	<i>B10-A: 63</i>
502045...	<i>B10-A: 64</i>
502046...	<i>B10-A: 10,</i> <i>B10-A: 64</i>
502047...	<i>B10-A: 10,</i> <i>B10-A: 64</i>
502048...	<i>B10-A: 10,</i> <i>B10-A: 64</i>
502049...	<i>B10-A: 10,</i> <i>B10-A: 64</i>
502050...	<i>B10-A: 10,</i> <i>B10-A: 64</i>
502051...	<i>B10-A: 10,</i> <i>B10-A: 64</i>
502052...	<i>B10-A: 10</i>
502053...	<i>B10-A: 10</i>

Part No.	Page
502054...	<i>B10-A: 10</i>
502055...	<i>B10-A: 10</i>
502056...	<i>B10-A: 10</i>
502057...	<i>B10-A: 10</i>
502058...	<i>B10-A: 65</i>
502059...	<i>B10-A: 65</i>
502060...	<i>B10-A: 65</i>
502061...	<i>B10-A: 65</i>
502062...	<i>B10-A: 64</i>
502063...	<i>B10-M: 5</i>
502064...	<i>B10-A: 12,</i> <i>B10-A: 44,</i> <i>B10-A: 66</i>
502066...	<i>B10-A: 62</i>
502068...	<i>B10-A: 62</i>
502069...	<i>B10-A: 12,</i> <i>B10-A: 44,</i> <i>B10-A: 66</i>
502070...	<i>B10-A: 62</i>
502071...	<i>B10-A: 62</i>
502072...	<i>B10-A: 62</i>
502073...	<i>B10-A: 62</i>
502074...	<i>B10-A: 62</i>
502075...	<i>B10-A: 62</i>
502076...	<i>B10-A: 62</i>
502077...	<i>B10-A: 62</i>
502078...	<i>B10-A: 62</i>
502079...	<i>B10-A: 62</i>
502080...	<i>B10-A: 69</i>
502081...	<i>B10-A: 69</i>
502082...	<i>B10-A: 15,</i> <i>B10-A: 46,</i> <i>B10-A: 68</i>
502088...	<i>B10-A: 63</i>
502089...	<i>B10-A: 63</i>
502090...	<i>B10-A: 63</i>
502091...	<i>B10-A: 63</i>
502092...	<i>B10-A: 63</i>
502093...	<i>B10-A: 63</i>
502094...	<i>B10-A: 63</i>
502095...	<i>B10-A: 63</i>
502096...	<i>B10-A: 63</i>
502097...	<i>B10-A: 63</i>
502165...	<i>B10-A: 12,</i> <i>B10-A: 44,</i> <i>B10-A: 66</i>
502183...	<i>B10-A: 15,</i> <i>B10-A: 46,</i> <i>B10-A: 68</i>
504001...	<i>B10-A: 60</i>
504003...	<i>B10-A: 60</i>
504004...	<i>B10-A: 60</i>
504019...	<i>B10-A: 60</i>
510001...	<i>B10-A: 52</i>
510114...	<i>B10-A: 56</i>
511001...	<i>B10-A: 52</i>
514003...	<i>B10-A: 55</i>
514004...	<i>B10-A: 55</i>
514015...	<i>B10-A: 55</i>
514016...	<i>B10-A: 55</i>
514029...	<i>B10-A: 10</i>
514030...	<i>B10-A: 10</i>
514031...	<i>B10-A: 10</i>

Part No.	Page
514032...	<i>B10-A: 55</i>
514033...	<i>B10-A: 55</i>
514034...	<i>B10-A: 55</i>
514035...	<i>B10-A: 55</i>
514201...	<i>B10-A: 53</i>
514202...	<i>B10-A: 55</i>
514203...	<i>B10-A: 55</i>
514210...	<i>B10-A: 54</i>
515166...	<i>B10-A: 34</i>
515178...	<i>B10-B: 19</i>
515286...	<i>B10-A: 56</i>
515491...	<i>B10-A: 16,</i> <i>B10-B: 25,</i> <i>B10-E: 21</i>
515595...	<i>B10-B: 6</i>
515596...	<i>B10-B: 6</i>
519002...	<i>B10-G: 13</i>
519003...	<i>B10-G: 13</i>
519004...	<i>B10-G: 13</i>
519005...	<i>B10-G: 13</i>
536001...	<i>B10-A: 4</i>
536002...	<i>B10-A: 5</i>
536005...	<i>B10-A: 16</i>
536010...	<i>B10-A: 21,</i> <i>B10-A: 22,</i> <i>B10-A: 23,</i> <i>B10-A: 24,</i> <i>B10-B: 23, B10-E: 9</i>
537051...	<i>B10-B: 22, B10-E: 8</i>
537052...	<i>B10-B: 23, B10-E: 9</i>
537055...	<i>B10-E: 20</i>
538051...	<i>B10-B: 22, B10-E: 8</i>
538052...	<i>B10-B: 23, B10-E: 9</i>
538055...	<i>B10-E: 20</i>
563001...	<i>B10-A: 4</i>
563002...	<i>B10-A: 5</i>
563010...	<i>B10-A: 5,</i> <i>B10-A: 21,</i> <i>B10-A: 22,</i> <i>B10-A: 23,</i> <i>B10-A: 24,</i> <i>B10-B: 23, B10-E: 9</i>
564034...	<i>B10-B: 16</i>
564045...	<i>B10-B: 17</i>
564046...	<i>B10-B: 17</i>
564047...	<i>B10-B: 17</i>
564048...	<i>B10-B: 17</i>
564049...	<i>B10-B: 17</i>
565034...	<i>B10-B: 16</i>
565045...	<i>B10-B: 17</i>
565046...	<i>B10-B: 17</i>
565047...	<i>B10-B: 17</i>
565048...	<i>B10-B: 17</i>
565049...	<i>B10-B: 17</i>
23	
210063...	<i>B10-B: 17</i>
K	
K15282...	<i>B10-I: 40</i>
K15283...	<i>B10-I: 40</i>
K15284...	<i>B10-I: 40</i>
K15285...	<i>B10-I: 40</i>
K15286...	<i>B10-I: 40</i>
K16414...	<i>B10-I: 39</i>

Part No.	Page
K16415...	<i>B10-I: 39</i>
K16416...	<i>B10-I: 39</i>
K16417...	<i>B10-I: 39</i>
K16418...	<i>B10-I: 39</i>
K16419...	<i>B10-I: 40</i>
K16420...	<i>B10-I: 40</i>
K16421...	<i>B10-I: 41</i>
K16422...	<i>B10-I: 41</i>
K16423...	<i>B10-I: 41</i>
K16424...	<i>B10-I: 41</i>
K17847...	<i>B10-I: 39</i>
K18454...	<i>B10-I: 39</i>
K18455...	<i>B10-I: 39</i>
K18456...	<i>B10-I: 40</i>
K18457...	<i>B10-I: 40</i>
K19125...	<i>B10-M: 19</i>
K19344...	<i>B10-M: 17</i>
K19346...	<i>B10-M: 15</i>
K19504...	<i>B10-M: 7</i>
K19505...	<i>B10-M: 8</i>
K19506...	<i>B10-M: 7</i>
K19507...	<i>B10-M: 8</i>
K21098...	<i>B10-M: 9</i>
K22434...	<i>B10-I: 41</i>
K22435...	<i>B10-I: 41</i>
K22436...	<i>B10-I: 41</i>
K22437...	<i>B10-I: 41</i>
K22438...	<i>B10-I: 41</i>
K22439...	<i>B10-I: 39</i>
K22440...	<i>B10-I: 39</i>
K22718...	<i>B10-M: 13</i>
K23259...	<i>B10-I: 39</i>
K24276...	<i>B10-I: 38</i>
K24277...	<i>B10-I: 38</i>
K24278...	<i>B10-I: 38</i>
K24279...	<i>B10-I: 38</i>
K24280...	<i>B10-I: 38</i>
K24281...	<i>B10-I: 38</i>
K24358...	<i>B10-I: 38</i>
K24391...	<i>B10-I: 38</i>
K24750...	<i>B10-M: 2</i>
K25066...	<i>B10-M: 16</i>
K25275...	<i>B10-M: 6</i>
K25618...	<i>B10-M: 12</i>
K25888...	<i>B10-M: 11</i>
K26065...	<i>B10-M: 11</i>
K26067...	<i>B10-M: 9</i>
K26600...	<i>B10-M: 13</i>
K26800...	<i>B10-M: 10</i>
K26950...	<i>B10-M: 6</i>
K28029...	<i>B10-M: 14</i>
K28540...	<i>B10-M: 10</i>
K28701...	<i>B10-M: 2</i>
K28703...	<i>B10-M: 4</i>
K30260...	<i>B10-M: 12</i>
K31045...	<i>B10-M: 18</i>
K31372...	<i>B10-M: 21</i>
K31373...	<i>B10-M: 21</i>
K31374...	<i>B10-M: 21</i>
K31375...	<i>B10-M: 21</i>
K31376...	<i>B10-M: 21</i>
K31377...	<i>B10-M: 21</i>
K31403...	<i>B10-M: 20</i>

Part No.	Page
K31404...	B10-M: 20
K31405...	B10-M: 20
K31406...	B10-M: 20
K31407...	B10-M: 20
K31408...	B10-M: 20
K31523...	B10-M: 5
K31574...	B10-M: 19
K31628...	B10-M: 21
K31630...	B10-M: 21
K31632...	B10-M: 20
K31634...	B10-M: 20
K31892...	B10-M: 4
K32616...	B10-M: 21
K32618...	B10-M: 20
K32822...	B10-M: 12
K32944...	B10-M: 12
K71547...	B10-H: 14
K71548...	B10-H: 14
K71549...	B10-H: 14
K71550...	B10-H: 14
KW9208...	B10-J: 7
KW9209...	B10-J: 12
KW31562...	B10-N: 4
O	
OP-05T308...	B10-D: 22

Guaranteed Test / Demo Application Form

Distributor PO # _____

The following must be filled out completely before your test will be considered

IMPORTANT: For processing, send Purchase Order to your Allied Field Sales Engineer (FSE). Please clearly mark the paperwork as "Test Order."

Distributor Information

Company Name: _____
 Contact: _____
 Account Number: _____
 Phone: _____
 Email: _____

End User Information

Company Name: _____
 Contact: _____
 Industry: _____
 Phone: _____
 Email: _____

Current Process List all tooling, coatings, substrates, speeds and feeds, tool life, and any problems you are experiencing

Test Objective List what would make this a successful test (i.e. penetration rate, finish, tool life, hole size, etc.)

Application Information

Hole Diameter: _____ in/mm	Tolerance: _____	Material: _____ (4150 / A36 / Cast Iron / etc.)
Pre-existing Diameter: _____ in/mm	Depth of Cut: _____ in/mm	Hardness: _____ (BHN / Rc)
Required Finish: _____ RMS	State: _____	(Casting / Hot rolled / Forging)

Machine Information

Machine Type: _____ (Lathe / Screw machine / Machine center / etc.)	Builder: _____ (Haas, Mori Seiki, etc.)	Model #: _____
Shank Required: _____ (CAT50 / Morse taper, etc.)		Power: _____ HP/KW
Rigidity: _____	Orientation: _____	Tool Rotating: _____
<input type="checkbox"/> Excellent	<input type="checkbox"/> Vertical	<input type="checkbox"/> Yes
<input type="checkbox"/> Good	<input type="checkbox"/> Horizontal	<input type="checkbox"/> No
<input type="checkbox"/> Poor		Thrust: _____ lbs/N

Coolant Information

Coolant Delivery: _____ (Through tool / Flood)	Coolant Pressure: _____ PSI / bar
Coolant Type: _____ (Air mist, oil, synthetic, water soluble, etc.)	Coolant Volume: _____ GPM / LPM

Requested Tooling

QTY	Item Number

QTY	Item Number



Allied Machine & Engineering
 120 Deeds Drive
 Dover, OH 44622

Telephone: (330) 343-4283
 Toll Free USA & Canada: (800) 321-5537
 Fax: (330) 602-3400
 Email: info@alliedmachine.com

Warranty Information



Allied Machine & Engineering ("Allied Machine") warrants to original equipment manufacturers, distributors, industrial and commercial users of its products for one year from the original date of sale that each new product manufactured or supplied by Allied Machine shall be free from defects in material and workmanship.

Allied Machine's sole and exclusive obligation under this warranty is limited to, at its option, without additional charge, replacing or repairing this product or issuing a credit. For this warranty to be applied, the product must be returned freight prepaid to the plant designated by an Allied Machine representative and which, upon inspection, is determined by Allied Machine to be defective in material and workmanship.

Complete information as to operating conditions, machine, setup, and the application of cutting fluid should accompany any product returned for inspection. This warranty shall not apply to any Allied Machine products which have been subjected to misuse, abuse, improper operating conditions, improper machine setup or improper application of cutting fluid or which have been repaired or altered if such repair or alteration, in the judgement of Allied Machine, would adversely affect the performance of the product.

THIS WARRANTY IS IN LIEU OF ALL OTHER WARRANTIES, EXPRESS OR IMPLIED, INCLUDING ANY IMPLIED WARRANTY OF MERCHANTABILITY OR FITNESS FOR A PARTICULAR PURPOSE. Allied Machine shall have no liability or responsibility for any claim, whether in contract, tort or otherwise, for any loss or damage arising out of, connected with, or resulting from the manufacture, sale, delivery or use of any product sold hereunder, in excess of the cost of replacement or repair as provided herein.

Allied Machine shall not be liable in contract or in tort (including, without limitation, negligence, strict liability or otherwise) for economic losses of any kind or for any special, incidental, indirect, consequential, punitive or exemplary damages arising in any way out of the performance of, or failure to perform this agreement.

ALL PRICES, DELIVERIES, DESIGNS, AND MATERIALS ARE SUBJECT TO CHANGE WITHOUT NOTICE.



Allied Machine & Engineering
Registered to ISO 9001
10001329

United States

Allied Machine & Engineering
120 Deeds Drive
Dover OH 44622
United States

Phone:
+1.330.343.4283

Fax:
+1.330.602.3400

Toll Free USA and Canada:
800.321.5537

Toll Free USA and Canada:
800.223.5140

Allied Machine & Engineering
485 W Third Street
Dover OH 44622
United States

Phone:
+1.330.343.4283

Fax:
+1.330.364.7666
(Engineering Dept.)

Toll Free USA and Canada:
800.321.5537

Europe

Allied Machine & Engineering Co. (Europe) Ltd.
93 Vantage Point
Pensnett Estate
Kingswinford
West Midlands
DY6 7FR England

Phone:
+44 (0) 1384.400900

Wohlhaupter GmbH
Maybachstrasse 4
Postfach 1264
72636 Frickenhausen
Germany

Phone:
+49 (0) 7022.408.0
Fax:
+49 (0) 7022.408.212

Asia

Wohlhaupter India Pvt. Ltd.
B-23, 3rd Floor
B Block Community Centre
Janakpuri, New Delhi - 110058
India

Phone:
+91 (0) 11.41827044

Your local Allied Machine representative:

www.alliedmachine.com

Allied Machine & Engineering is registered to **ISO 9001:2015** by DQS



ALLIED MACHINE
& ENGINEERING

Copyright © 2021 Allied Machine & Engineering Corp. All rights reserved.
All trademarks designated with the ® symbol are registered in the United States and other countries.

Literature Order Number: B10-WHL

Print Date: May 2020