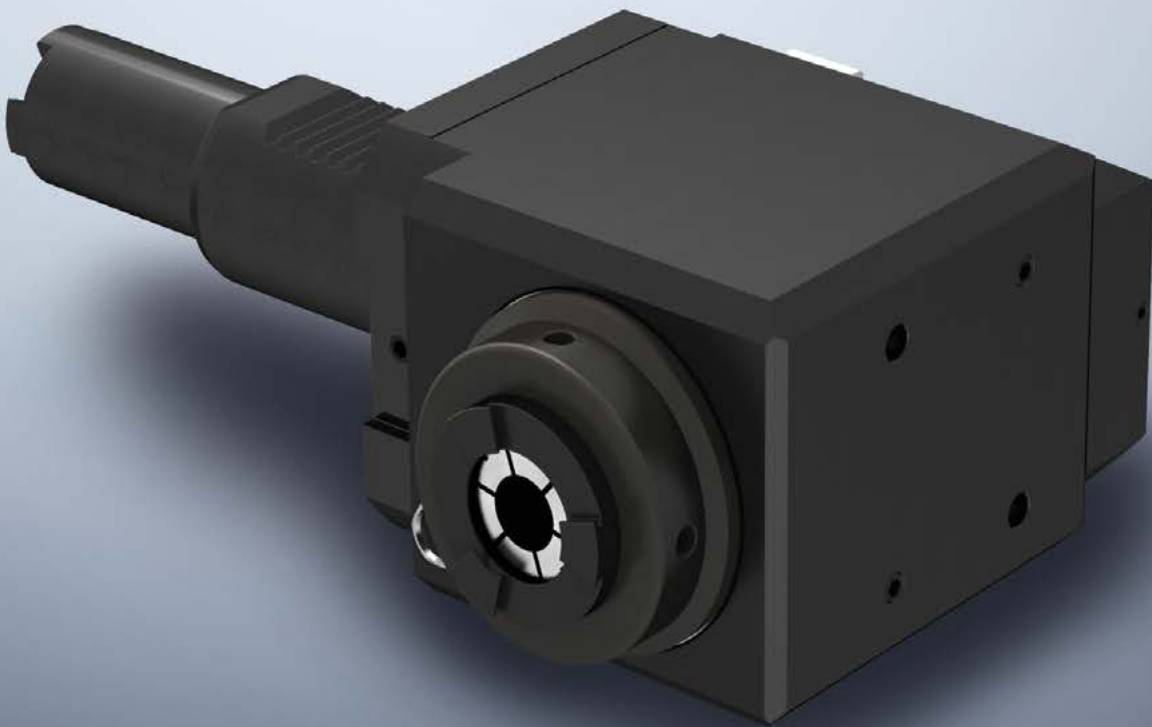


# HAAS VDI TOOLING

Haas CNC turning centers with VDI 40 turret

Promo

Metal machining



OEM SUPPLIER

# HAAS LIVE TOOLS VDI 40 + ADAPTER

## BENZ SOLIDFIX® - COLLET CHUCK

### BUNDLES

| SET               | Description  | BENZ Order No. |
|-------------------|--|----------------|
| <b>Bundle I</b>   | <b>BENZ Solidfix®:</b><br>1 x axial live tool (ext. coolant)<br>1 x ER32 collet chuck adapter<br>1 x allen key   | 114SET1040001  |
| <b>Bundle II</b>  | <b>BENZ Solidfix®:</b><br>1 x radial live tool (ext. coolant)<br>1 x ER 32 collet chuck adapter<br>1 x allen key   | 114SET1040002  |
| <b>Bundle III</b> | <b>Collet chuck:</b><br>2 x axial live tools (ext. coolant)<br>2 x radial live tools (ext. coolant)<br>1 x set of wrenches                               | 114SET1040003  |
| <b>Bundle IV</b>  | <b>BENZ Solidfix®:</b><br>2 x axial live tools (ext. coolant)<br>2 x radial live tools (ext. coolant)<br>4 x ER 32 collet chuck adapter<br>1 x allen key | 114SET1040005  |

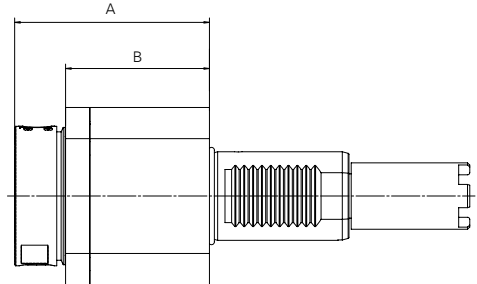
### HAAS OEM TOOLS

| SET                     | Description  | HAAS Order No. | BENZ Order No.    |
|-------------------------|--|----------------|-------------------|
| <b>Axial / straight</b> | <b>Collet chuck:</b><br>1 x axial live tool (ext. coolant)<br>1 x set of wrenches  | HLT-AHTH       | 114DA10441E6A-Z   |
| <b>Radial / 90°</b>     | <b>Collet chuck:</b><br>1 x radial live tool (ext. coolant)<br>1 x set of wrenches | HLT-RHTH       | 114FAX10449E6AL-Z |

# HAAS LATHES

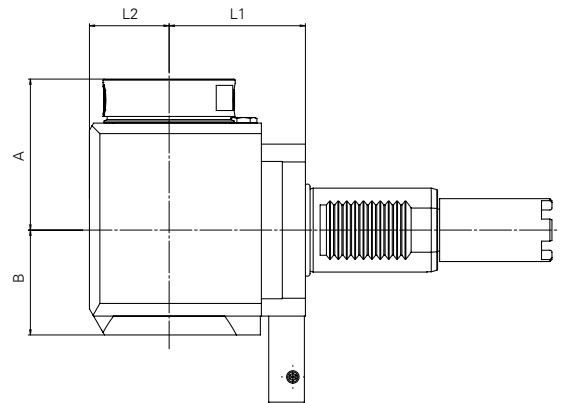
ST-10 | ST-10Y | ST-15 | ST-15Y | ST-20 | ST-20Y | ST-20SS | ST-20SSY | ST-25 | ST-25Y | ST-30 | ST-30Y | ST-30SS | ST-30SSY | ST-35 | ST-35Y | ST-40 | ST-40L | SL-20 | SL-30 | DS-30 | DS-30Y | DS-30SS | DS-30SSY

## AXIAL



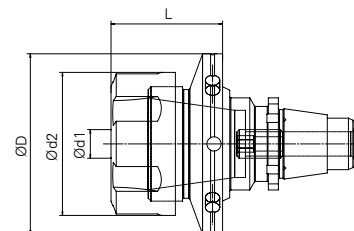
| Output spindle | Technical data |     |    |     |  |                              |                 |        | Order No.     |
|----------------|----------------|-----|----|-----|--|------------------------------|-----------------|--------|---------------|
|                | Size Spindle   | i   | EC | IC* | $n_{1\max} / n_{2\max}$ [min <sup>-1</sup> ] | $M_{1\max} / M_{2\max}$ [Nm] | $A_{\max}$ [mm] | B [mm] |               |
| BENZ Solidfix® | S4             | 1:1 | ✓  | -   | 6.000 / 6.000                                | 70 / 70                      | 88              | 65     | 114DA10441S4  |
| Collet chuck   | ER32           | 1:1 | ✓  | -   | 6.000 / 6.000                                | 70 / 70                      | 76,1            | 65     | 114DA10441E6A |

## RADIAL



| Output spindle | Technical data |     |    |     |  |                              |                 |        |         | Order No. |                 |
|----------------|----------------|-----|----|-----|--|------------------------------|-----------------|--------|---------|-----------|-----------------|
|                | Size Spindle   | i   | EC | IC* | $n_{1\max} / n_{2\max}$ [min <sup>-1</sup> ] | $M_{1\max} / M_{2\max}$ [Nm] | $A_{\max}$ [mm] | B [mm] | L1 [mm] |           | L2 [mm]         |
| BENZ Solidfix® | S4             | 1:1 | ✓  | -   | 6.000 / 6.000                                | 70 / 70                      | 72              | 50     | 65      | 38        | 114FAX10449S4L  |
| Collet chuck   | ER32           | 1:1 | ✓  | -   | 6.000 / 6.000                                | 70 / 70                      | 69,1            | 50     | 65      | 38        | 114FAX10449E6AL |

## BENZ SOLIDFIX® - ADAPTER



| Adapter                              | Technical data |            |         |          |          |        | Order No.   |
|--------------------------------------|----------------|------------|---------|----------|----------|--------|-------------|
|                                      | Size           | Type       | ØD [mm] | Ød1 [mm] | Ød2 [mm] | L [mm] |             |
| Collet chuck - internal clamping nut | S4             | ER32 8° ER | 63      | 2-20     | 50       | 39     | 694.130E639 |

collet not included in delivery

**BENZ GmbH Werkzeugsysteme**

Im Mühlegrün 12  
D-77716 Haslach  
T +49 7832 704-0  
F +49 7832 704-8001  
info@benztooling.com  
www.benztooling.com

