

TBT Single Lip drills with indexable inserts

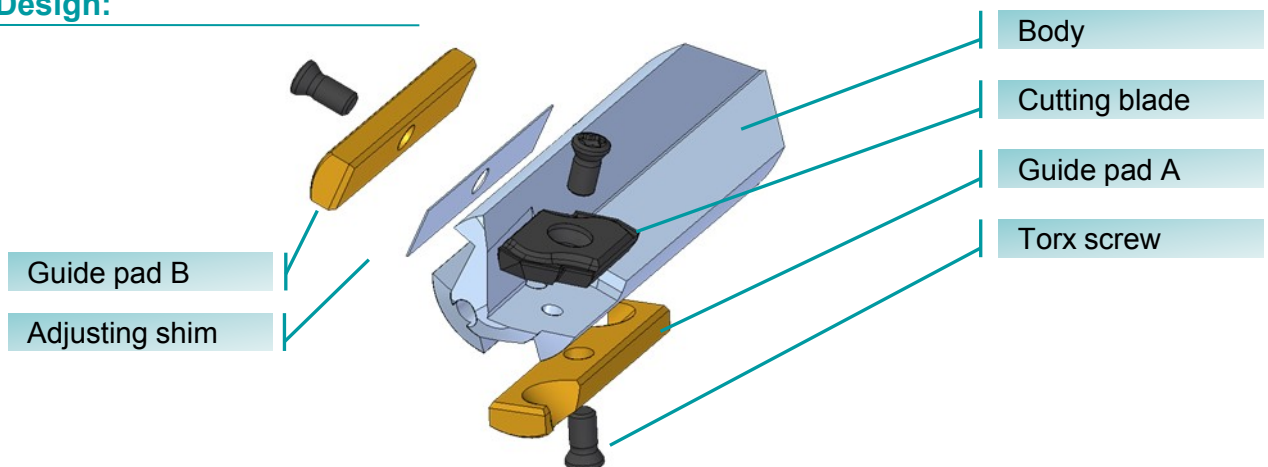
WP-ELB Series 10

Main Features:

1. **High efficiency** by specifically developed cutting edge geometry for optimal chip formation.
2. **Short downtime** resulting from quick exchange of wear parts on the clamped tool.
3. **Easy to use**, no sharpening, no length adjustment, easy inventory of wear parts.
4. **Long tool life** due to full coating and edge treatment
5. **Quick availability** due to stocked wear parts.



Design:



Technical Information:

- Current diameter range: 12.00 mm – 28.00 mm
- Cutting blade & guide pads fully coated
- Covering the whole diameter range with only 6 sizes of cutting blades.
- Tool body built in steps of 0.1 mm
- Available with long head and three additional guide pads.
- Adjusting shim ranging from 0.1 to 0.2 mm in steps of 0.02 mm

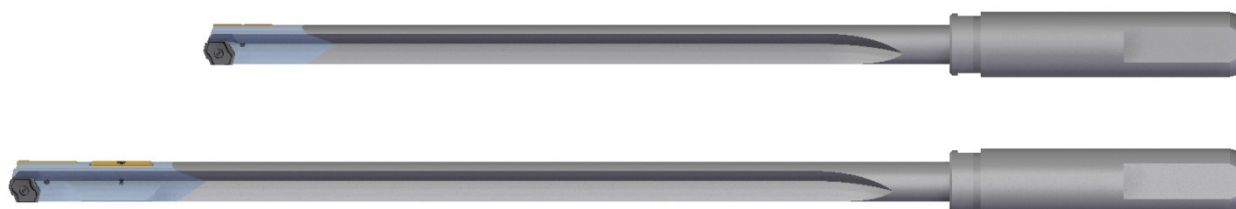
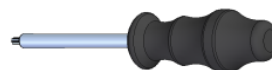


TBT Single Lip drills with indexable inserts

WP-ELB Series 10

Inquiries and delivery:

- Please state the required diameter, the overall length and the clamping element.
- You will receive your tools fully equipped and ready for use.
- Each tool comes with the suitable Torx key for the replacement of wearing parts



TBT Item numbers of wear parts:

Select your wear parts in the following table:

From Ø mm	To Ø mm	Indexable cutting insert	Guide pads		Adjusting shim set	Torx scre	Torx key
12,00	13,94	TSTS-CB-00	TSTS- GC04-P	TSTS- GC04A-P	TSTS-S04-0.10-0.20	TSTS- SGI-M2.2	TSTS-SD-7
13,95	15,00	TSTS-CB-01	TSTS- GC05-P	TSTS- GC05A-P	TSTS-S05-0.10-0.20	TSTS- SGI-M2.2	TSTS-SD-7
15,01	16,50	TSTS-CB-02	TSTS- GC05-P	TSTS- GC05A-P	TSTS-S05-0.10-0.20	TSTS- SGI-M2.2	TSTS-SD-8
16,51	17,30		TSTS-GC05-P			TSTS- SGI-M2.5	TSTS-SD-8
17,31	19,70	TSTS-CB-05	TSTS-GC05-P		TSTS-S05-0.10-0.20	TSTS- SGI-M2.5	TSTS-SD-8
19,71	23,80	TSTS-CB-07	TSTS-GC06-P		TSTS-S06-0.10-0.20	TSTS- SGI-M3	TSTS-SD-9
23,81	28,00	TSTS-CB-08	TSTS-GC06-P		TSTS-S06-0.10-0.20	TSTS- SGI-M3	TSTS-SD-9