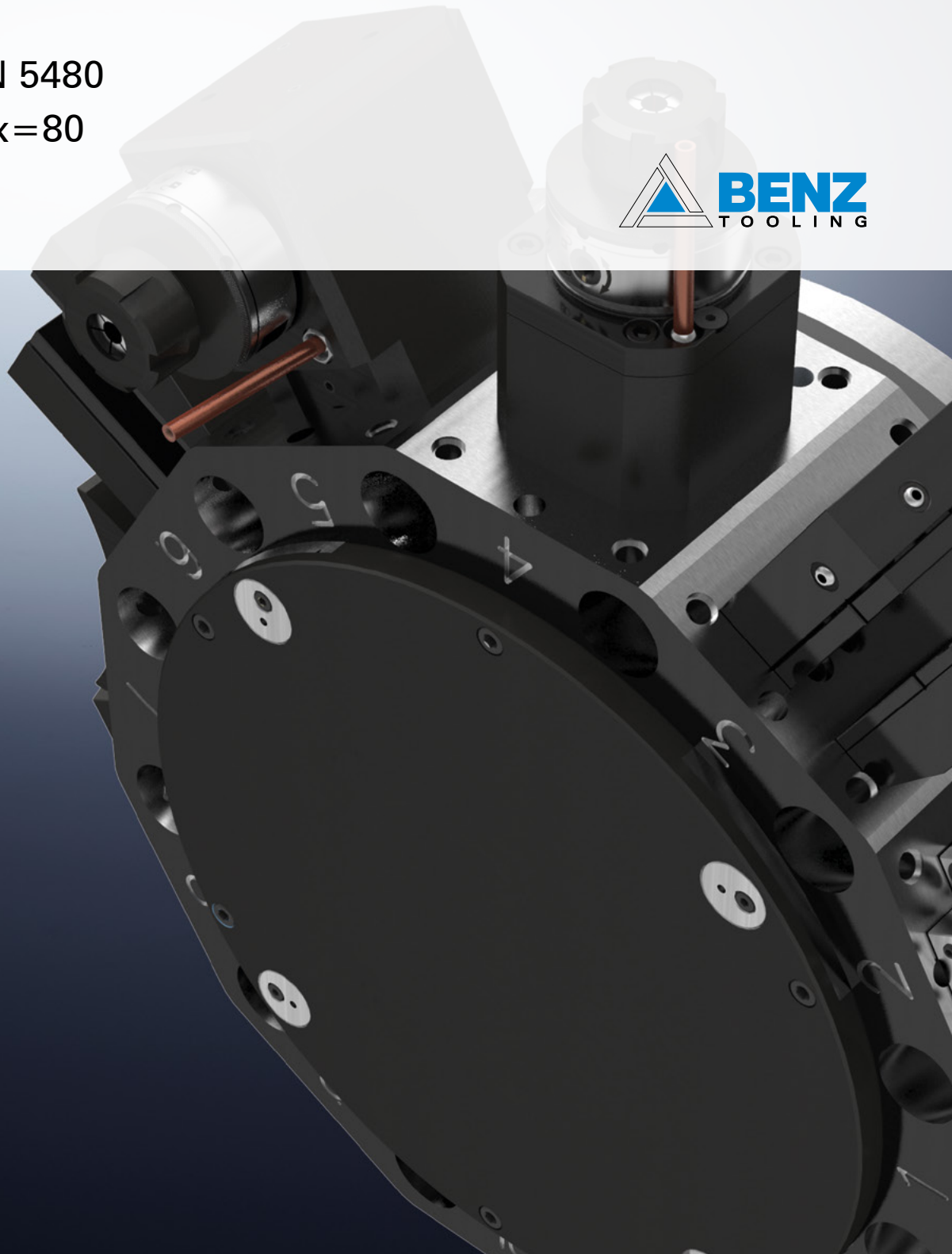


INITIAL TOOLING PACKAGE

VDI 30 - DIN 5480
Star Turret x=80

Metal Machining



INITIAL TOOLING PACKAGE OVERVIEW

VDI 30 - DIN 5480 / STAR TURRET X=80



Package Content				
Product Group	Type	Item Number	Details Page	Quantity / Package
LIVE TOOLS	Axial (EC)	113DA01231E5A	5	3
	Axial (EC)	113DA01200E5A	5	3
	Axial (EC/IC)	113EA01231E5A	5	3
	Axial (EC)	113DA01231S3	5	3
	Axial (EC)	113DA01200S3	5	3
	Axial (EC/IC)	113EA01231S3	5	3
	Radial (EC)	113FAX01239E5A(L/R)-80*	5	3
	Radial (EC/IC)	113GAX01239E5A(L/R)-80*	5	3
	Radial (EC)	113FAX01239S3(L/R)-80*	5	3
	Radial (EC/IC)	113GAX01239S3(L/R)-80*	5	3
STATIC HOLDERS	Face and I.D.Turning Tool: C1 right hand	113.5612070	6	2
	Face and I.D.Turning Tool: C3 overhead, right hand	113.5632070	6	2
	Face and I.D.Turning Tool: C2 left hand	113.5622070	6	2
	Face and I.D.Turning Tool: C4 overhead, left hand	113.5642070	6	2
	Multiple Square Seats Turning Tool: D1	113.5652042	7	2
	Boring Bar Holder: □32/H=85mm	113AP012D32RB-85	7	3
	Reducing Sleeve: 32/20	28.3220G200	7	3
	Cut-Off Holder SH 26	113.583S0002	7	1
ACCESSORIES	BENZ Solidfix® Adapter: Collet chuck 8° Type ER25	693.130E534	8	6
	Hook Wrench DIN 1810B	D01810B045050	8	1
	Clamping Wrench: external clamping nut	B136-E5	8	1
	Clamping Wrench: internal clamping nut	B136-E5AX	8	1
	Inbus T-Wrench	KL8317-45039-SW5	9	1
	Mounting Block S3	B300-4-S3	9	1

*(L/R) = left or right hand version / for detailed order numbers please see the product table on page 5

ORDER NUMBER
RADIAL TOOLS: LEFT HAND
VERSION

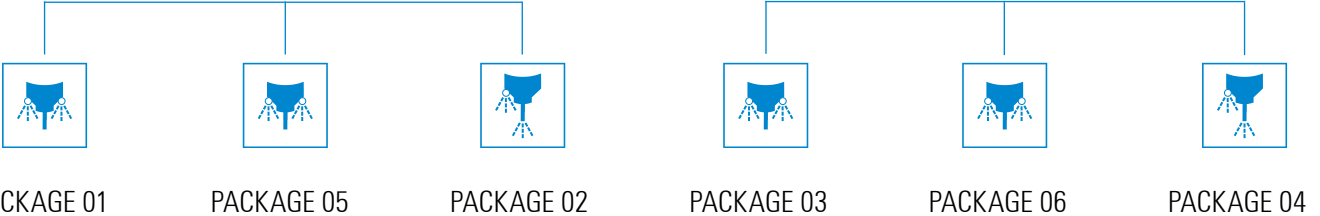
ORDER NUMBER
RADIAL TOOLS: RIGHT HAND
VERSION



Collet Chuck ER25



BENZ Solidfix® S3

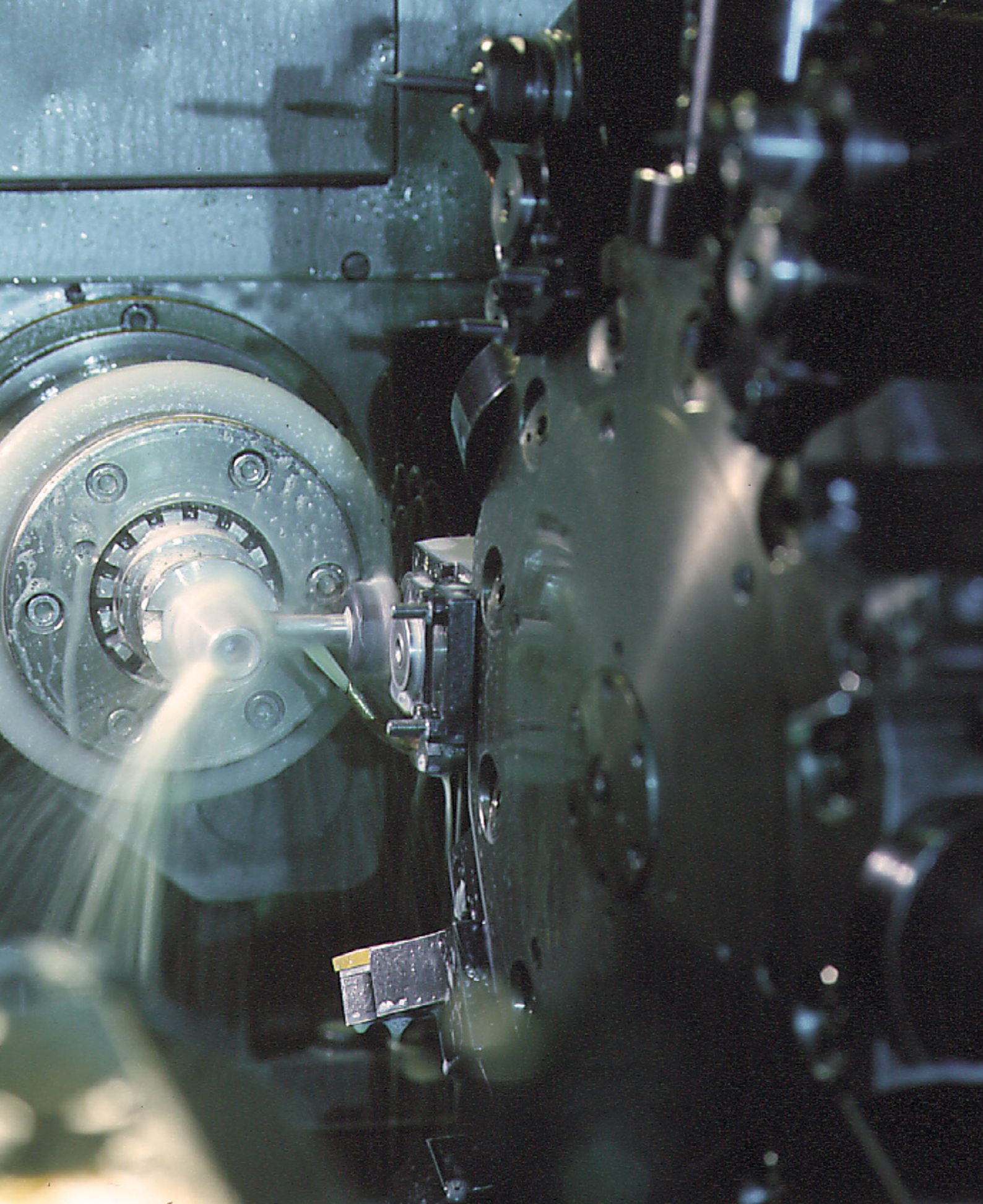


Collet Chuck ER25	Collet Chuck ER25	Collet Chuck ER25	Collet Chuck ER25	BENZ Solidfix® S3	BENZ Solidfix® S3
External coolant supply, long	External coolant supply, short	External + Internal coolant supply, long	External + Internal coolant supply, long	External coolant supply short	External + Internal coolant supply long

+					
	+				
		+			
			+		
				+	
					+
+	+				
		+			
			+	+	
					+
+	+	+	+	+	+
+	+	+	+	+	+
+	+	+	+	+	+
+	+	+	+	+	+
+	+	+	+	+	+
+	+	+	+	+	+
+	+	+	+	+	+
+	+	+	+	+	+
+	+	+	+	+	+
			+	+	+
			+	+	+

113SET0120001	113SET0120005	113SET0120002	113SET0120003	113SET0120006	113SET0120004
---------------	---------------	---------------	---------------	---------------	---------------


113SET0120011	113SET0120015	113SET0120012	113SET0120013	113SET0120016	113SET0120014
---------------	---------------	---------------	---------------	---------------	---------------



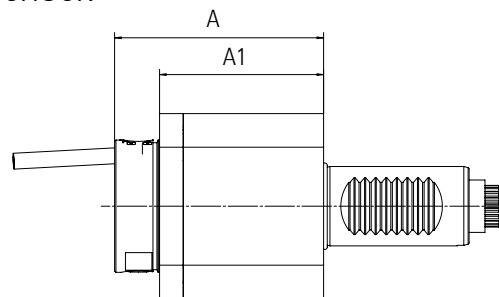
LIVE TOOLS

VDI 30


LIVE TOOL : AXIAL

Model	Output Spindle	Technical Data						Order No.
		Size	i	EC	IC	A max. [mm]	A1 [mm]	
	BENZ SOLIDFIX®	S3	1:1	✓	-	79	62	113DA01231S3
		S3	1:1	✓	-	58	40,5	113DA01200S3
		S3	1:1	✓	✓	79	62	113EA01231S3
COLLET CHUCK	ER25	1:1	✓	-	74,9	62	113DA01231E5A	
		1:1	✓	-	53,9	40,5	113DA01200E5A	
		1:1	✓	✓	79,9	62	113EA01231E5A	

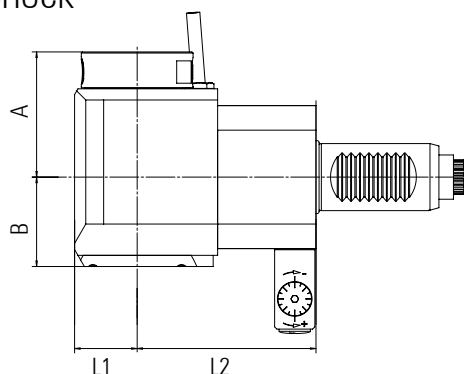
BENZ SOLIDFIX® | COLLET CHUCK



LIVE TOOL : AXIAL

Model	Output Spindle	Technical Data								Order No.
		Size	i	EC	IC	A max.	B [mm]	L1 [mm]	L2 [mm]	
	BENZ SOLIDFIX®	S3	1:1	✓	-	56	40	28	80	113FAX01239S3L-80
		S3	1:1	✓	-	56	40	28	80	113FAX01239S3R-80
		S3	1:1	✓	✓	56	58	28	80	113GAX01239S3L-80
		S3	1:1	✓	✓	56	58	28	80	113GAX01239S3R-80
COLLET CHUCK	ER25	1:1	✓	-	56,9	40	28	80	113FAX01239E5AL-80	
		1:1	✓	-	56,9	40	28	80	113FAX01239E5AR-80	
		1:1	✓	✓	61,9	58	28	80	113GAX01239E5AL-80	
		1:1	✓	✓	61,9	58	28	80	113GAX01239E5AR-80	


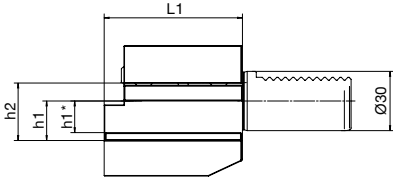
BENZ SOLIDFIX® | COLLET CHUCK




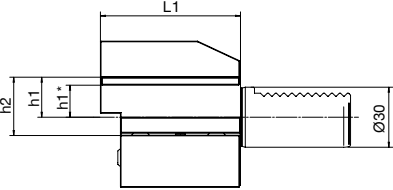
STATIC HOLDERS

VDI 30


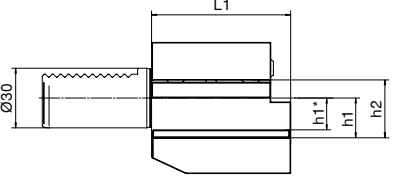
FACE AND I.D. TURNING TOOL - SINGLE

Model	Drawing	Technical Data			Order No.
		h1/h1* [mm]	h2 [mm]	L1 [mm]	
		20/16	29	70	113.5612070


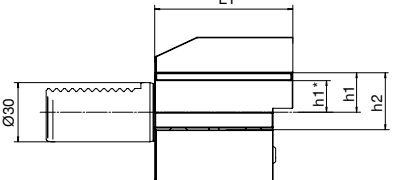
FACE AND I.D. TURNING TOOL - C3 OVERHEAD, RIGHT HAND

Model	Drawing	Technical Data			Order No.
		h1/h1* [mm]	h2 [mm]	L1 [mm]	
		20/16	29	70	113.5632070


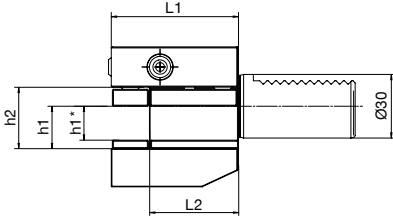
FACE AND I.D. TURNING TOOL - C2 LEFT HAND

Model	Drawing	Technical Data			Order No.
		h1/h1* [mm]	h2 [mm]	L1 [mm]	
		20/16	29	70	113.5622070


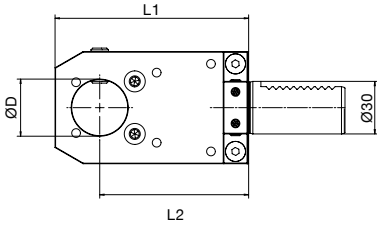
FACE AND I.D. TURNING TOOL - C4 OVERHEAD, LEFT HAND

Model	Drawing	Technical Data			Order No.
		h1/h1* [mm]	h2 [mm]	L1 [mm]	
		20/16	29	70	113.5642070


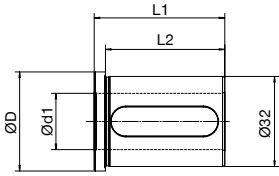
MULTI SQUARE SEATS TURNING TOOL - D1

Model	Drawing	Technical Data				Order No.
		h1/h1*	h2	L1	L2	
		[mm]	[mm]	[mm]	[mm]	
		20/16	29	60	42	113.5652042


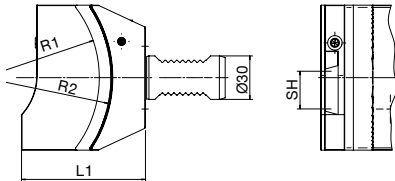
BORING BAR HOLDER - Ø32/H=85MM

Model	Drawing	Technical Data			Order No.
		ØD	L1	L2	
		[mm]	[mm]	[mm]	
		32	110	85	113AP012D32RB-85

REDUCING SLEEVE- 32/20

Model	Drawing	Technical Data				Order No.
		ØD	Ød1	L1	L2	
		[mm]	[mm]	[mm]	[mm]	
		40	20	58	53	28.3220G200


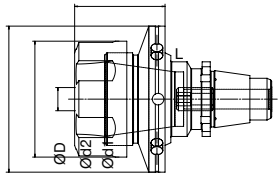
CUT-OFF HOLDER - SH 26

Model	Drawing	Technical Data				Order No.
		SH	h2	R1	R2	
		[mm]	[mm]	[mm]	[mm]	
		26	85,5	80	88	113.583S0002

ACCESSORIES


VDI 30

BENZ SOLIDFIX® ADAPTER - COLLET CHUCK 8° - EXTERNAL CLAMPING NUT


Model	Drawing	Technical Data						Order No.
		Size	Type	ØD	Ød1	Ød2	L	
		S3	ER25	50	0,5-17	42	34	693.130E534

Collet chuck not included in delivery


HOOK WRENCH DIN 1810B

Model	Technical Data Suitable for adapter	Order No.
	S3 X ER25	D01810B045050


CLAMPING WRENCH - EXTERNAL CLAMPING NUT

Model	Technical Data Suitable for adapter	Order No.
	ER25	B136-E5

CLAMPING WRENCH - INTERNAL CLAMPING NUT

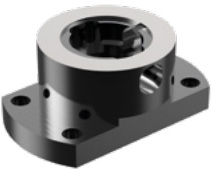
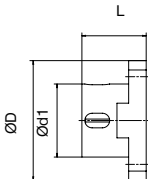
Model	Technical Data Suitable for adapter	Order No.
	ER25	B136-E5AX

INBUS T-WRENCH

Model	Technical Data Suitable for adapter	Order No.
	5	KL8317-45039-SW5

Collet chuck not included in delivery

MOUNTING BLOCK








Model	Drawing	Technical Data				Order No.
		Size	ØD	Ød1	L	
		S3	83	50	44	B300-4-S3

no clamping system integrated

SYMBOLS AND ABBREVIATIONS

EXPLANATION

OVERVIEW OF SYMBOLS AND ABBREVIATIONS

Symbol	Specifications	Abbreviations
COOLANT SUPPLY TO CUTTING EDGE	 <p>Extern (EC) The tool is cooled using an external feed line (spray nozzle)</p>	<p>∅ diameter</p> <p>i ratio</p> <p>EC external coolant supply</p> <p>IC internal coolant supply</p> <p>WZ output spindle</p> <p>P page</p> <p>a possible</p> <p>- not possible</p> <p>+ included</p> <p>mm millimeter</p> <p>SW width across flats</p> <p>max. maximum</p>
	 <p>Combination (EC/IC) The tool is cooled by a combination of both systems - internal and external system</p>	
TURRET TYPE	 <p>Star Turret Tools are vertical / obliquely arranged to turret axis</p>	
DRIVE DIRECTION TO SPINDLE DIRECTION	 <p>Direction of rotation synchronous clockwise / clockwise</p>	
NUMBER OF OUTPUT SPINDLES	 <p>1 The unit has one output spindle</p>	
AXIS ANGLE	 <p>0° Unit for machining tasks at a 0° angle</p>	
	 <p>90° Unit for machining tasks at a 90° angle</p>	

The contents and data are valid at the time of printing. Edition 09/2017

This catalogue was issued with great care and all specifications were checked for correctness. However, no liability is assumed for incorrect or incomplete information. BENZ GmbH Werkzeugsysteme reserves the right to make technical changes and improvements through continual further development of the products and services. All texts, images, representations and drawings in this catalogue are the property of BENZ GmbH Werkzeugsysteme and are protected by copyright. Any kind of reproduction, editing, modification, translation, filming or processing and saving in electronic systems is prohibited without the consent of BENZ GmbH Werkzeugsysteme.

BENZ GmbH Werkzeugsysteme

Im Mühlegrün 12
D-77716 Haslach
T +49 7832 704-0
F +49 7832 704-8001
info@benz-tools.de
www.benz-tools.de

